



US00D800967S

(12) **United States Design Patent**
Kim

(10) **Patent No.:** **US D800,967 S**

(45) **Date of Patent:** **** Oct. 24, 2017**

(54) **LIP BALM CONTAINER**

(71) Applicant: **IT'S SKIN CO., LTD**, Seoul (KR)

(72) Inventor: **Joo Young Kim**, Ansan-si (KR)

(73) Assignee: **IT'S SKIN CO., LTD**, Eonju-Ro,
Gangnam-Gu, Seoul (KR)

(**) Term: **15 Years**

(21) Appl. No.: **29/551,611**

(22) Filed: **Jan. 14, 2016**

(30) **Foreign Application Priority Data**

Jan. 6, 2016 (KR) 30-2016-0000432

(51) **LOC (10) Cl.** **28-03**

(52) **U.S. Cl.**
USPC **D28/85; D9/529**

(58) **Field of Classification Search**
USPC 401/68, 72; D27/189, 191; D28/85-90;
D9/600, 727-729, 432, 568, 529
CPC A45D 33/18; A45D 2040/0012; A45D
40/04; A45D 40/02; A45D 33/14; A45D
33/12; A45D 2040/0056; A45D 2040/208;
B65D 83/0011
See application file for complete search history.

(56) **References Cited**

U.S. PATENT DOCUMENTS

1,931,079 A * 10/1933 Mitchell A45D 40/02
132/318
1,983,083 A * 12/1934 Irelan A45D 40/02
132/318

D139,567 S * 11/1944 Foster et al. D9/432
D246,998 S * 1/1978 Hill D28/25
D258,868 S * 4/1981 Soderberg D9/529
D259,020 S * 4/1981 Beguin D9/529
D292,069 S * 9/1987 Keeler D9/573
D313,872 S * 1/1991 Thompson D28/85
D593,713 S * 6/2009 Fogelson D28/85

OTHER PUBLICATIONS

Google search for "its skin lip balm prestige," downloaded May 18,
2017, 1 page.*

* cited by examiner

Primary Examiner — Jennifer Rivard

(74) *Attorney, Agent, or Firm* — East West Law Group;
Heedong Chae

(57) **CLAIM**

The ornamental design for a lip balm container, as shown
and described.

DESCRIPTION

FIG. 1 is a perspective view of a lip balm container showing
my new design;
FIG. 2 is a front elevational view thereof;
FIG. 3 is a rear elevational view thereof;
FIG. 4 is a left side elevational view thereof;
FIG. 5 is a right side elevational view thereof;
FIG. 6 is a top plan view thereof; and,
FIG. 7 is a bottom plan view thereof.
The broken lines illustrate portions of the lip balm container
and form no part of the claimed design.

1 Claim, 7 Drawing Sheets

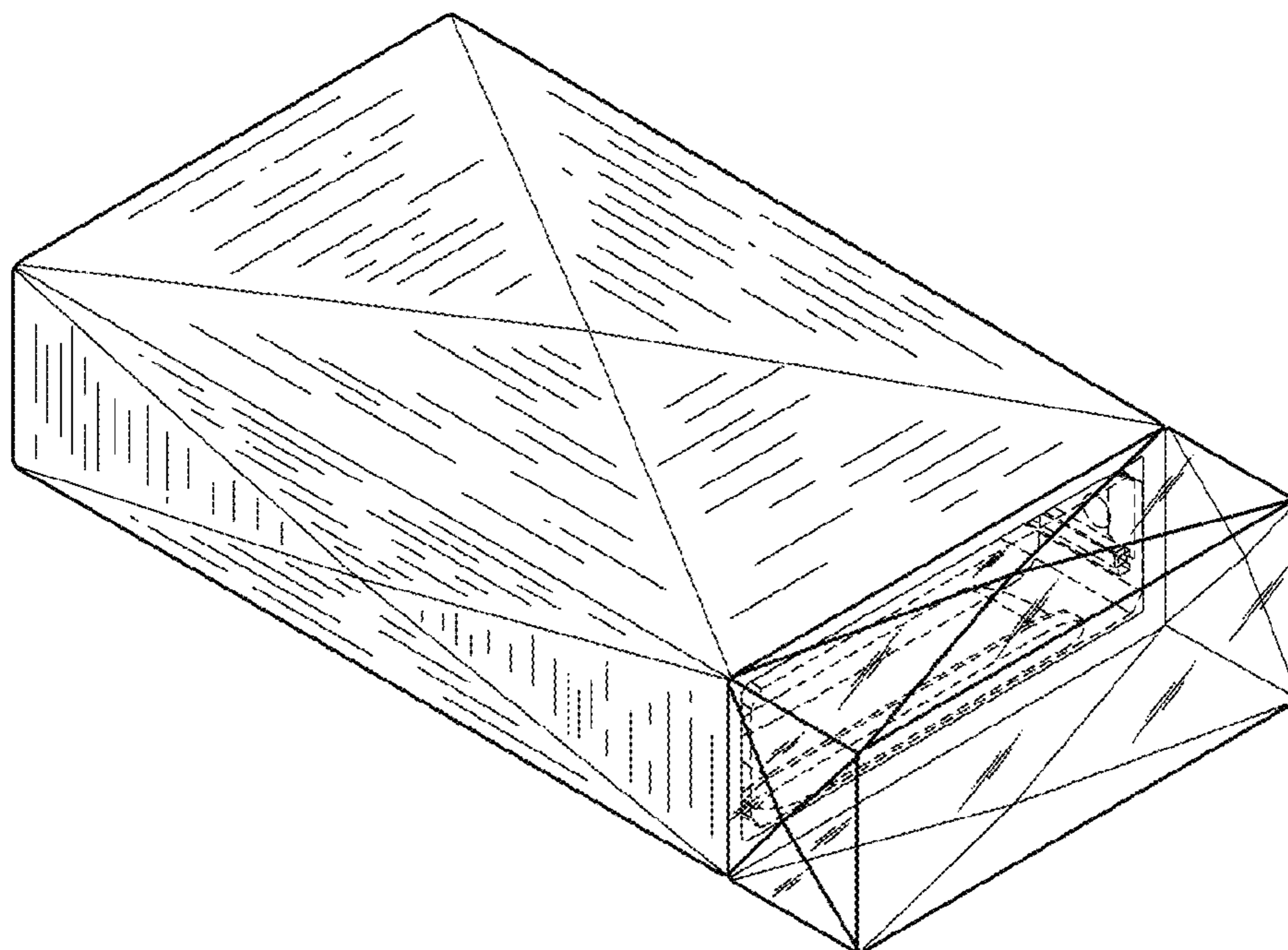


FIG. 1

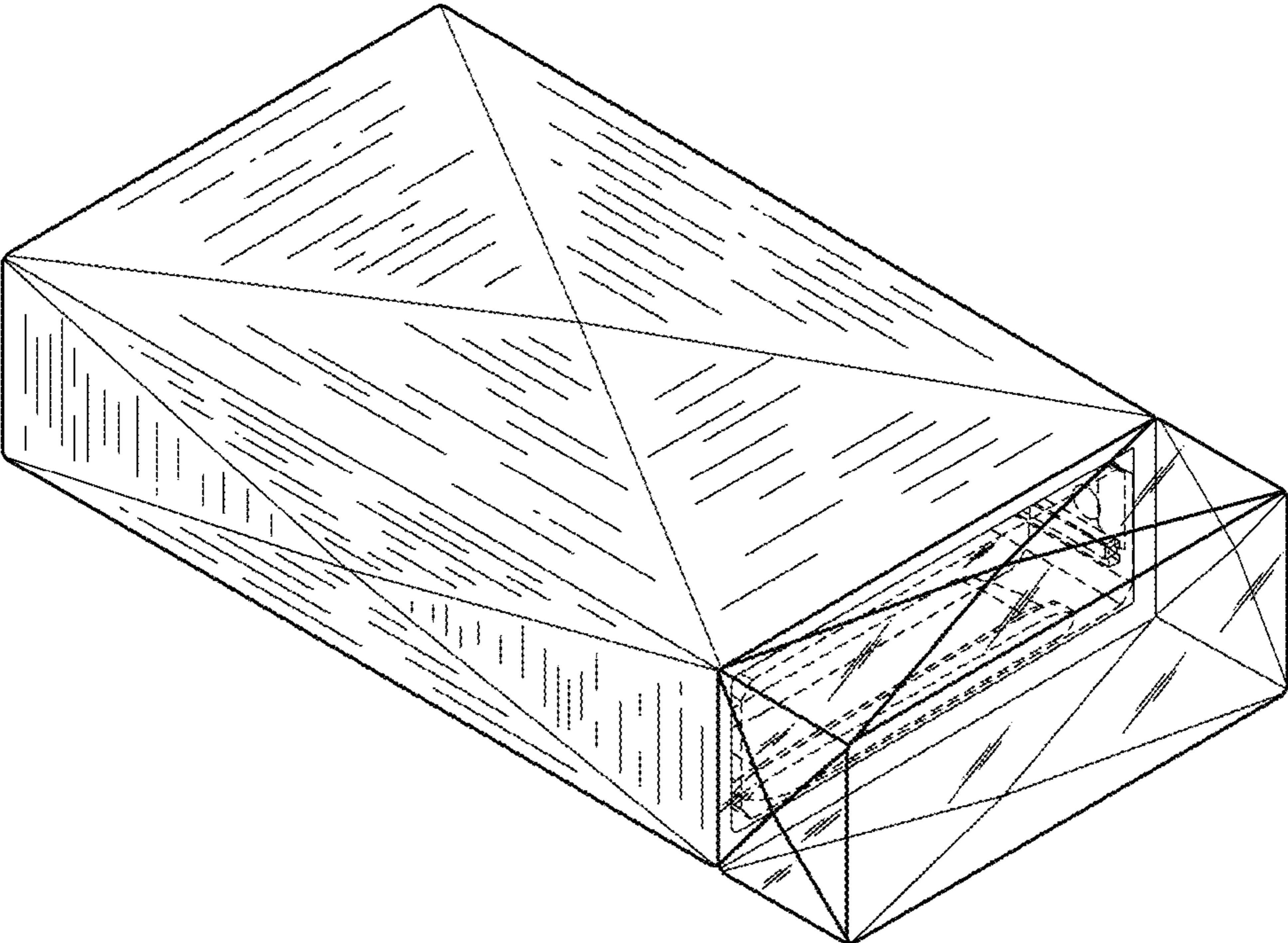


FIG. 2

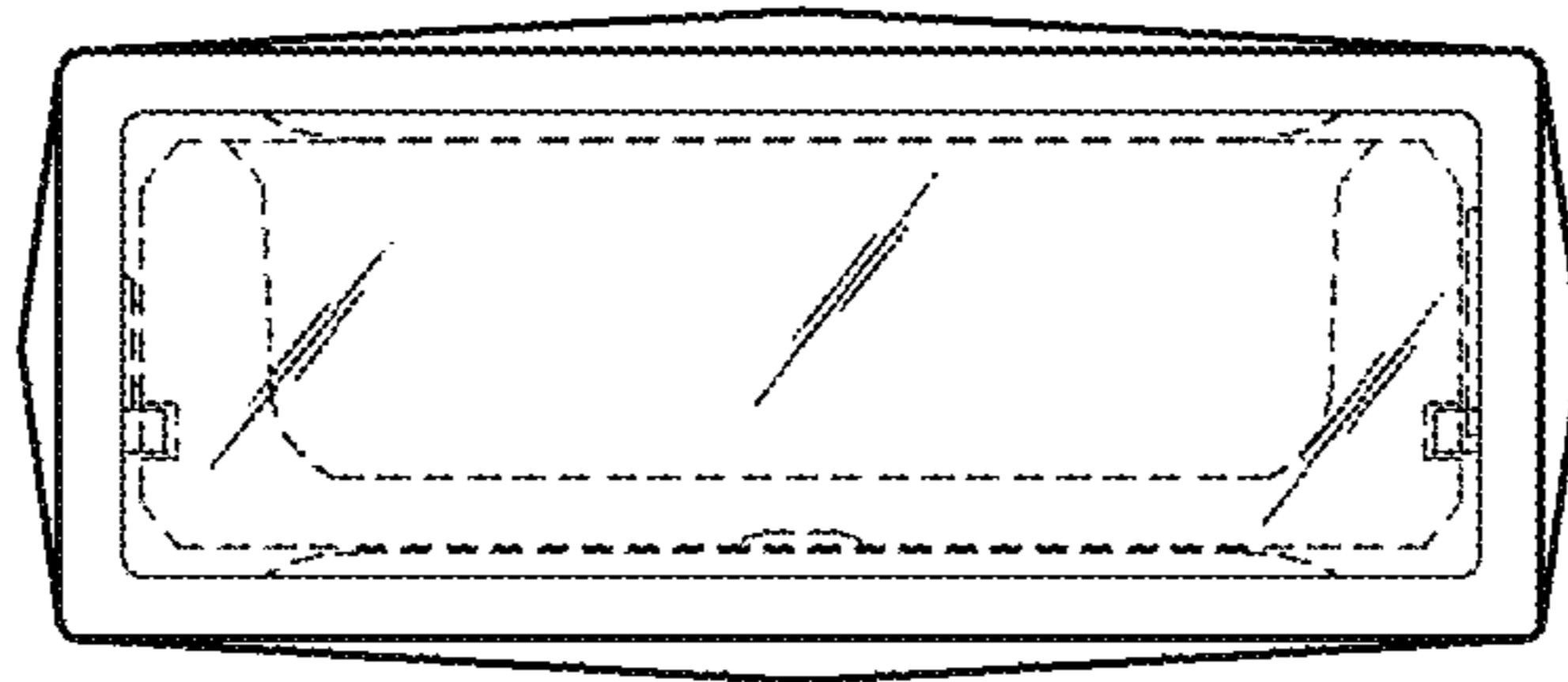


FIG. 3

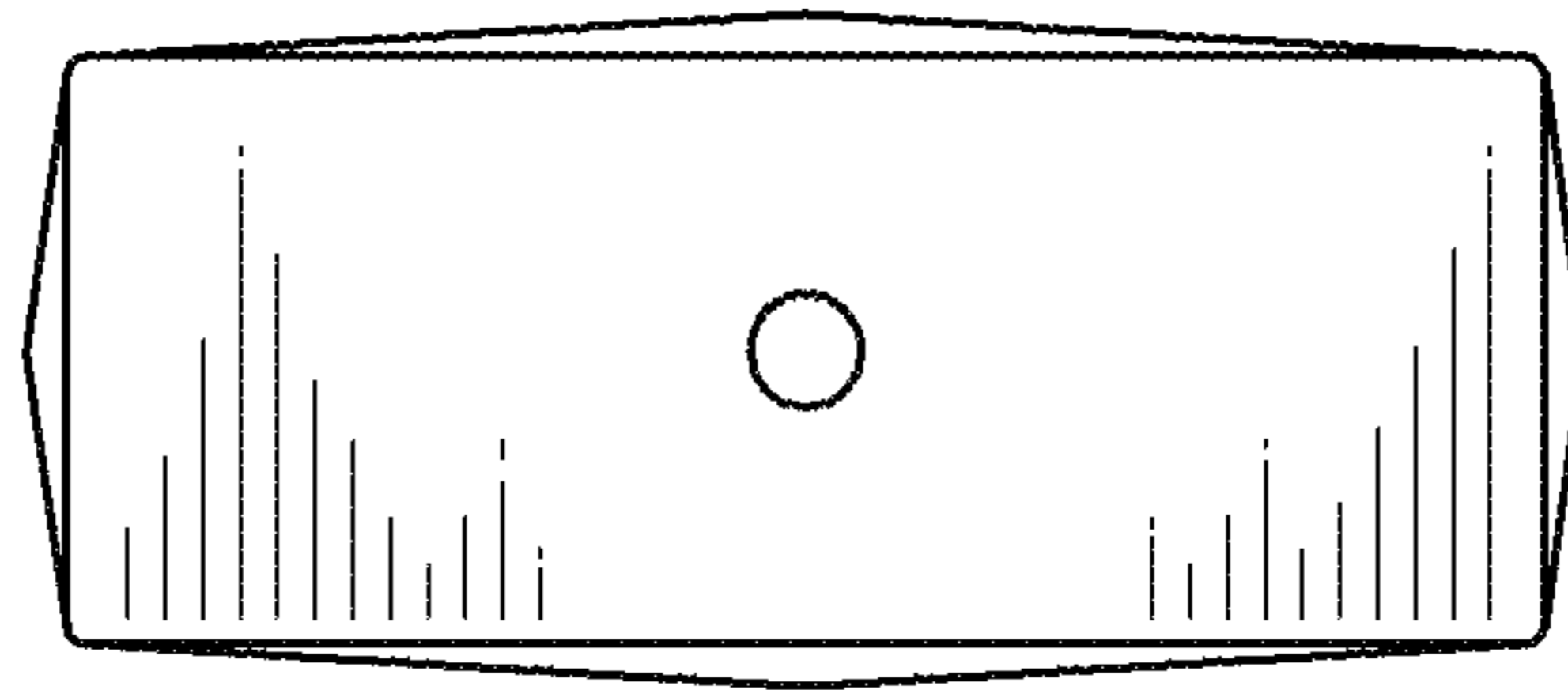


FIG. 4

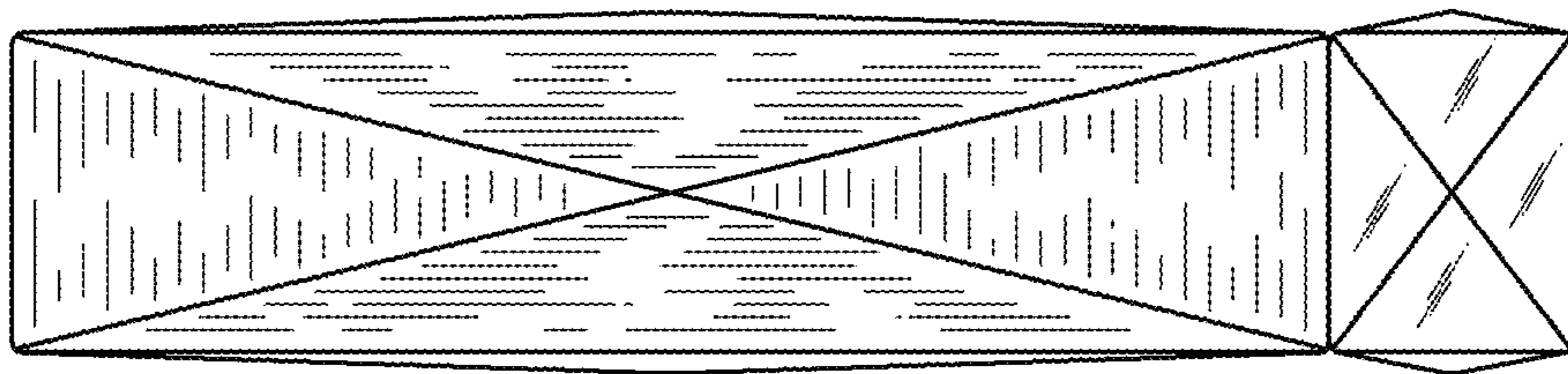


FIG. 5

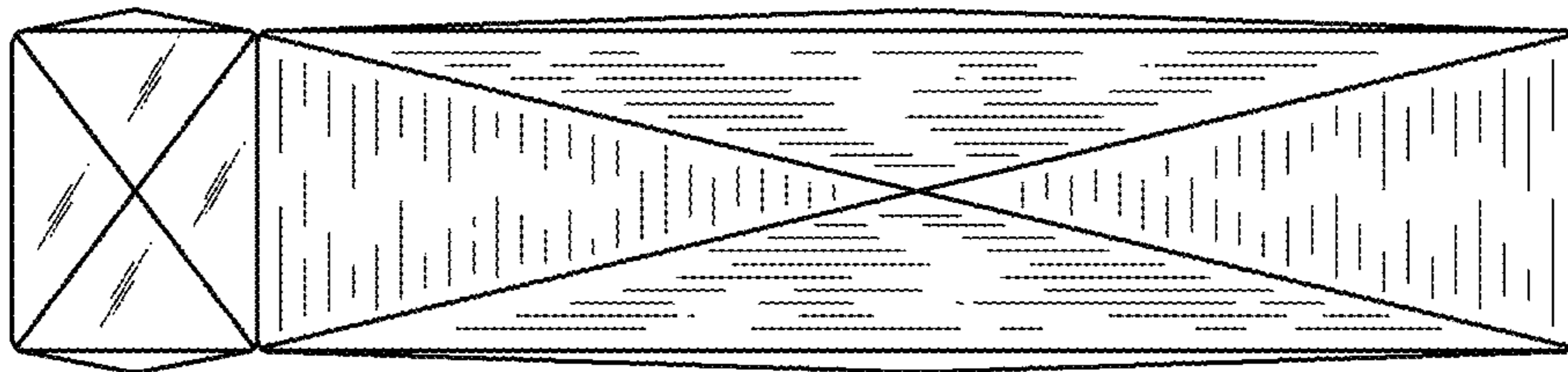


FIG. 6

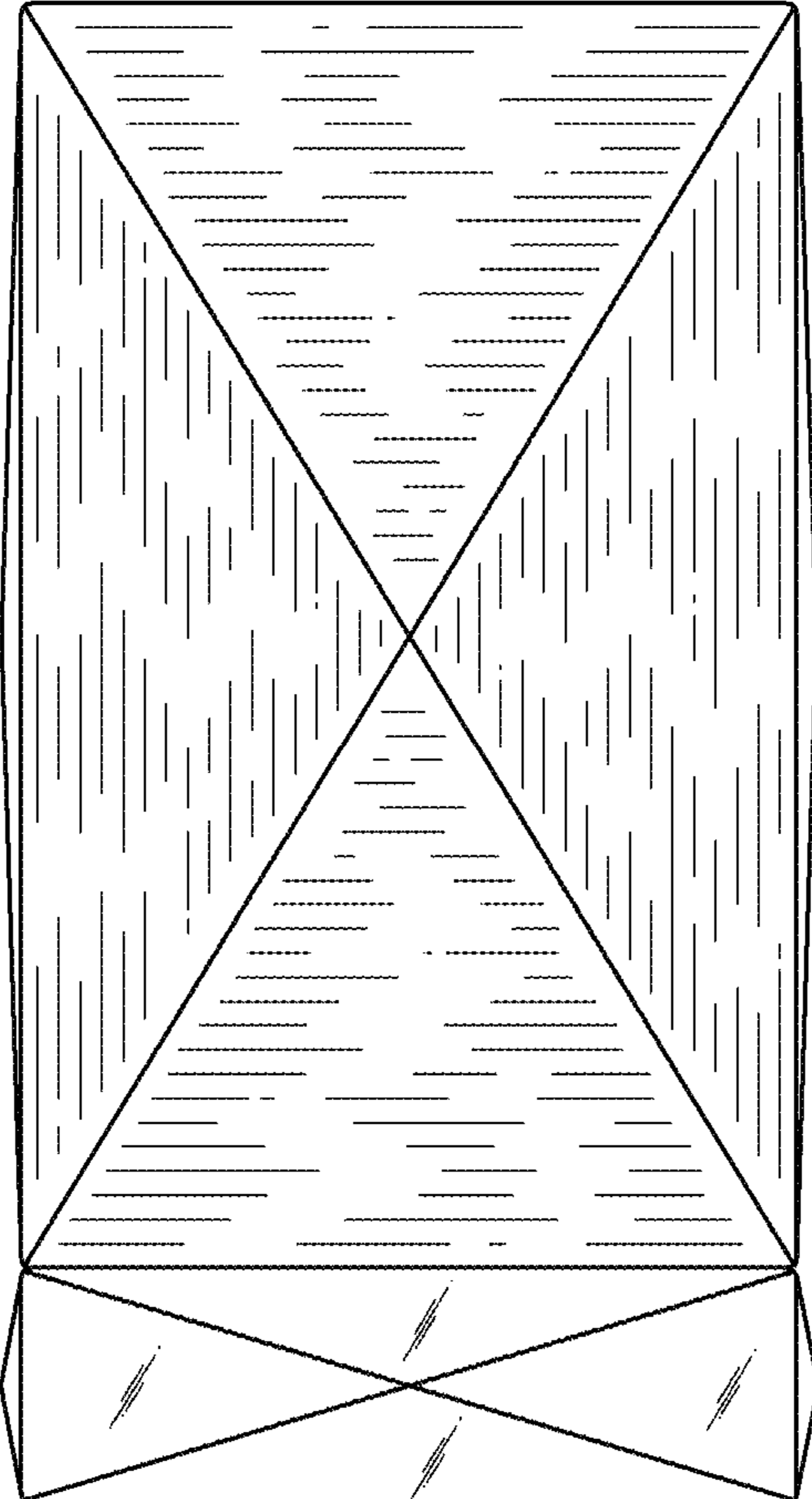


FIG. 7

