



US00D800963S

(12) **United States Design Patent** (10) **Patent No.:** **US D800,963 S**
Marchica et al. (45) **Date of Patent:** **** Oct. 24, 2017**

(54) **SET OF PEEL AWAY EYELINER STENCILS**

(71) Applicants: **Paolo Marchica**, Brooklyn, NY (US);
Beth Bender, Los Angeles, CA (US)

(72) Inventors: **Paolo Marchica**, Brooklyn, NY (US);
Beth Bender, Los Angeles, CA (US)

(**) Term: **15 Years**

(21) Appl. No.: **29/600,041**

(22) Filed: **Apr. 10, 2017**

Related U.S. Application Data

(63) Continuation-in-part of application No. 29/572,453, filed on Jul. 28, 2016, now Pat. No. Des. 787,116, and a continuation-in-part of application No. 29/564,195, filed on May 11, 2016, and a continuation-in-part of application No. 29/561,912, filed on Apr. 21, 2016, said application No. 29/572,453 is a continuation-in-part of application No. 29/520,790, filed on Mar. 18, 2015, now Pat. No. Des. 775,763, and a continuation-in-part of application No. 29/522,898, filed on Apr. 3, 2015, now Pat. No. Des. 765,909, and a continuation-in-part of application No. 29/522,902, filed on Apr. 3, 2015, now Pat. No. Des. 765,312, and a continuation-in-part of application No. 29/520,792, filed on Mar. 18, 2015, now Pat. No. Des. 765,311, said application No. 29/564,195 is a continuation-in-part of application No. 29/504,114, filed on Oct. 23, 2014, now Pat. No. Des. 758,007, said application No. 29/520,790 is a continuation-in-part of application No. 14/243,877, filed on Apr. 2, 2014, now abandoned.

(51) **LOC (10) Cl.** **28-03**

(52) **U.S. Cl.**
USPC **D28/7**

(58) **Field of Classification Search**
USPC D28/4, 7, 9, 92, 93, 99; 132/285, 319,
132/320, 333; D19/37, 39, 40; D10/64
CPC A45D 40/30; A45D 26/0014
See application file for complete search history.

(56) **References Cited**

U.S. PATENT DOCUMENTS

4,653,483 A	3/1987	Clavin
4,714,084 A	12/1987	Berry
4,807,650 A	2/1989	Bliss
4,854,307 A	8/1989	Elfenbein
4,886,079 A	12/1989	Mooney
4,936,325 A	6/1990	Davis
5,186,190 A	2/1993	Hirzel
5,205,301 A	4/1993	Nakamura
5,396,913 A	3/1995	Wallschlaeger
5,662,129 A	9/1997	Grenevitch
5,836,998 A	11/1998	Mueller
5,860,433 A	1/1999	Halpern
6,035,867 A	3/2000	Barrick
6,062,234 A	5/2000	Finocciaro

(Continued)

Primary Examiner — Zenia Bennett

(74) *Attorney, Agent, or Firm* — Kevin Keener; Kevin and Associates P.C.

(57) **CLAIM**

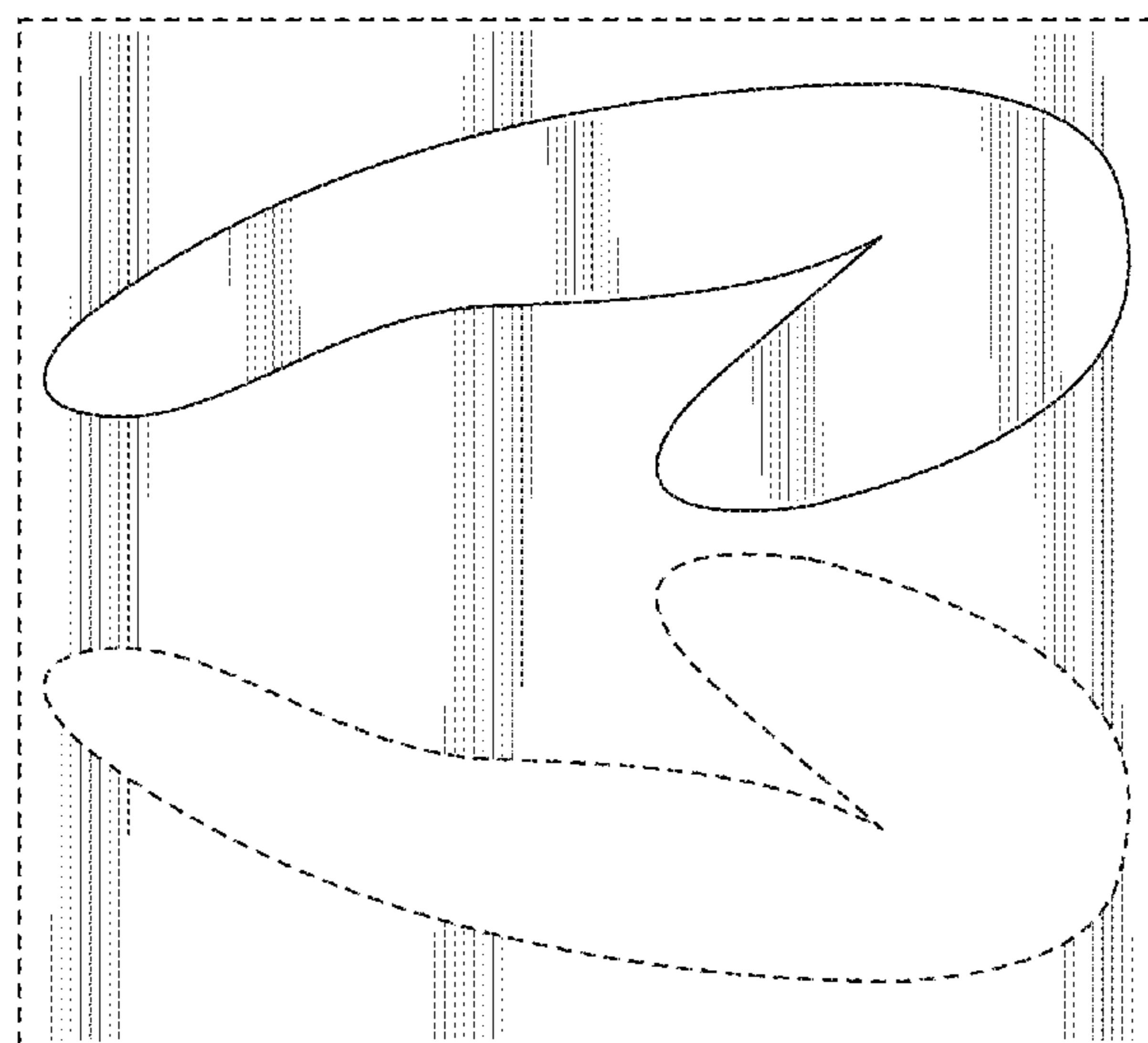
The ornamental design for a peel away eyeliner stencil set, as shown and described.

DESCRIPTION

FIG. 1 is a front perspective view of a pair of peel away stencils on a wax paper sheet; FIG. 2 is a top view thereof; FIG. 3 is a front view thereof; FIG. 4 is a left view thereof; FIG. 5 is a right view thereof; FIG. 6 is a bottom view thereof; and, FIG. 7 is an exploded view thereof.

The broken lines in the drawings form no part of the claimed design.

1 Claim, 4 Drawing Sheets



(56)

References Cited

U.S. PATENT DOCUMENTS

6,062,235	A	5/2000	Renna	2004/0107975	A1	6/2004	Bender
6,076,531	A	6/2000	Gueret	2004/0168702	A1	9/2004	Faragi
6,161,554	A	12/2000	Dunlap-Harris	2004/0231688	A1	11/2004	Thayer
6,206,010	B1	3/2001	Malki	2004/0231694	A1	11/2004	Rosenblatt
6,240,842	B1	6/2001	Hailey	2005/0066992	A1	3/2005	Carsh et al.
6,336,462	B1	1/2002	Santelli	2005/0257805	A1	11/2005	Williams
6,435,195	B1	8/2002	Joulia	2006/0150994	A1	7/2006	Pilmanis
6,598,608	B1	7/2003	Downey	2006/0249173	A1	11/2006	Lawson
6,622,733	B2	9/2003	Saksa	2007/0006748	A1	1/2007	Liu
6,655,390	B2	12/2003	Gueret	2007/0062551	A1	3/2007	DeBrouwer et al.
6,701,938	B2	3/2004	Faragi	2007/0062552	A1	3/2007	DeBrouwer et al.
6,807,970	B2	10/2004	Thayer	2007/0251541	A1	11/2007	Nasu et al.
6,823,860	B2	11/2004	Igaki et al.	2008/0196737	A1	8/2008	Stewart
6,857,432	B2	2/2005	De Laforcade	2008/0276953	A1	11/2008	McGee
7,219,674	B1	5/2007	Shelley	2009/0000637	A1	1/2009	Takano
7,334,586	B2	2/2008	Pilmanis	2009/0032053	A1	2/2009	Khan et al.
7,470,077	B2	12/2008	Thiebaut	2009/0032054	A1	2/2009	Griffiths et al.
7,559,426	B2	7/2009	Habatjou	2009/0044820	A1	2/2009	Soare
7,762,270	B2	7/2010	De Brouwer et al.	2009/0151744	A1	6/2009	Villanueva
7,798,061	B2	9/2010	Dilou	2009/0183747	A1	7/2009	Salicunaj
D625,623	S	10/2010	Smink	2009/0183750	A1	7/2009	Platt-Gregory
7,886,397	B2	2/2011	Gueret	2009/0194126	A1	8/2009	Cassese
D639,855	S	6/2011	Fried	2009/0260648	A1	10/2009	Castelluccio
D642,617	S	8/2011	Eckardt	2010/0018542	A1	1/2010	Konrad
7,992,577	B2	8/2011	DeBrouwer et al.	2010/0154813	A1	6/2010	Deeds
8,015,981	B2	9/2011	Soare	2010/0236564	A1	9/2010	Ilekti
8,051,860	B1	11/2011	Pereira	2011/0073125	A1	3/2011	Iosilevich
8,074,667	B2	12/2011	Villanueva	2011/0088716	A1	4/2011	Villanueva
8,141,564	B2	3/2012	Cassese	2011/0094533	A1	4/2011	Dempsey et al.
8,205,624	B2	6/2012	Gueret	2011/0100392	A1	5/2011	Smith et al.
D663,769	S	7/2012	Sward	2011/0165102	A1	7/2011	Arditty et al.
8,235,060	B2	8/2012	Konrad	2012/0107263	A1	5/2012	Bui et al.
8,267,097	B2	9/2012	Abergel et al.	2012/0128746	A1	5/2012	Maitra et al.
D668,975	S	10/2012	Phillips	2012/0180808	A1	7/2012	Nakamura et al.
8,342,190	B2	1/2013	Soare	2012/0222694	A1	9/2012	Soare
8,393,336	B2	3/2013	Abergel et al.	2012/0266911	A1	10/2012	Haman et al.
8,424,542	B1	4/2013	Han	2012/0272980	A1	11/2012	Samain et al.
8,459,274	B2	6/2013	Ducoffre	2013/0025613	A1	1/2013	Branch
8,474,464	B2	7/2013	Smith	2013/0089584	A1	4/2013	Jager Lezer
8,505,552	B1	8/2013	Soare	2013/0098385	A1	4/2013	Soare
8,561,622	B1	10/2013	Sanchez	2013/0125911	A1	5/2013	Mammone
8,684,013	B2	4/2014	Haman et al.	2013/0160785	A1	6/2013	Thevenet
8,752,560	B2	6/2014	Salicunaj	2013/0263885	A1	10/2013	Sternad
8,752,563	B2	6/2014	Lieu	2013/0291882	A1	11/2013	Nakamura
8,763,614	B2	7/2014	Soare	2013/0306091	A1	11/2013	Soare
8,881,740	B2	11/2014	Soare	2014/0144457	A1	5/2014	Soare
8,925,558	B2	1/2015	Johnson	2014/0158147	A1	6/2014	Butcher
D734,891	S *	7/2015	Sternad	2014/0209114	A1	7/2014	Johnson
D741,006	S *	10/2015	Sternad	2014/0311514	A1	10/2014	Soare
D753,219	S	4/2016	Needham	2014/0345639	A1	11/2014	Samain et al.
D758,007	S *	5/2016	Marchica	2015/0020844	A1	1/2015	Nishimura et al.
D761,489	S *	7/2016	Krakovszki	2015/0114420	A1	4/2015	Gafni
D765,310	S *	8/2016	Marchica	2015/0114422	A1	4/2015	Abraham et al.
D765,311	S *	8/2016	Marchica	2015/0114427	A1	4/2015	Johnson
D765,312	S *	8/2016	Marchica	2015/0265030	A1	9/2015	Kusukame et al.
D765,909	S *	9/2016	Marchica	2015/0282595	A1	10/2015	Kimura et al.
D775,763	S *	1/2017	Marchica	2015/0296960	A1	10/2015	Samaco, III
D776,343	S *	1/2017	Rhoades	2015/0297470	A1	10/2015	Kimura et al.
2002/0005209	A1	1/2002	Gueret	2015/0327648	A1	11/2015	Takata
2003/0015214	A1	1/2003	Faragi	2015/0359318	A1	12/2015	Martin
2003/0234028	A1	12/2003	Edell	2015/0366763	A1	12/2015	Barilari
2004/0089319	A1	5/2004	Thayer	2015/0374101	A1	12/2015	Levi
				2016/0051033	A1	2/2016	Abraham et al.

* cited by examiner

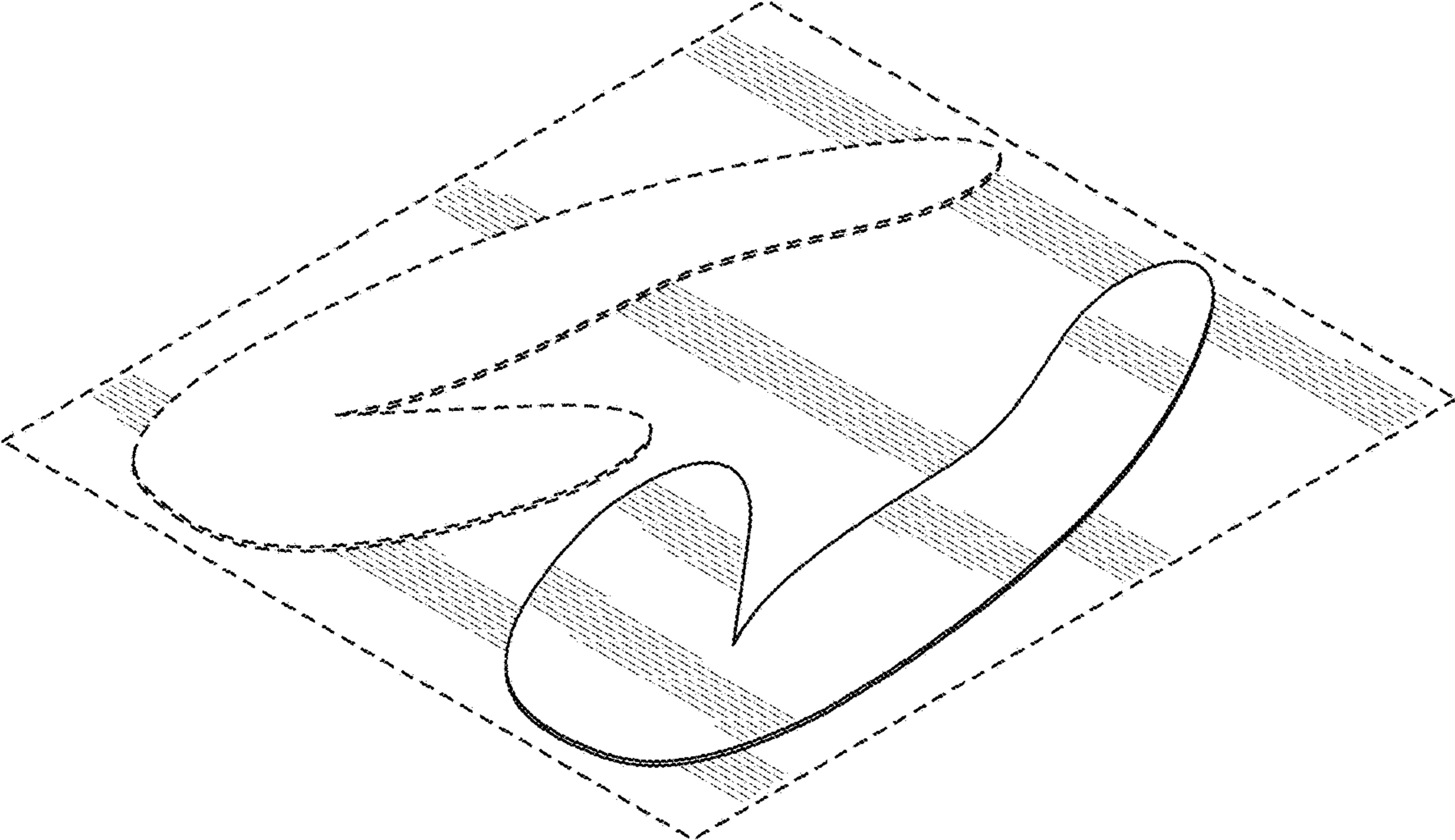


FIG. 1

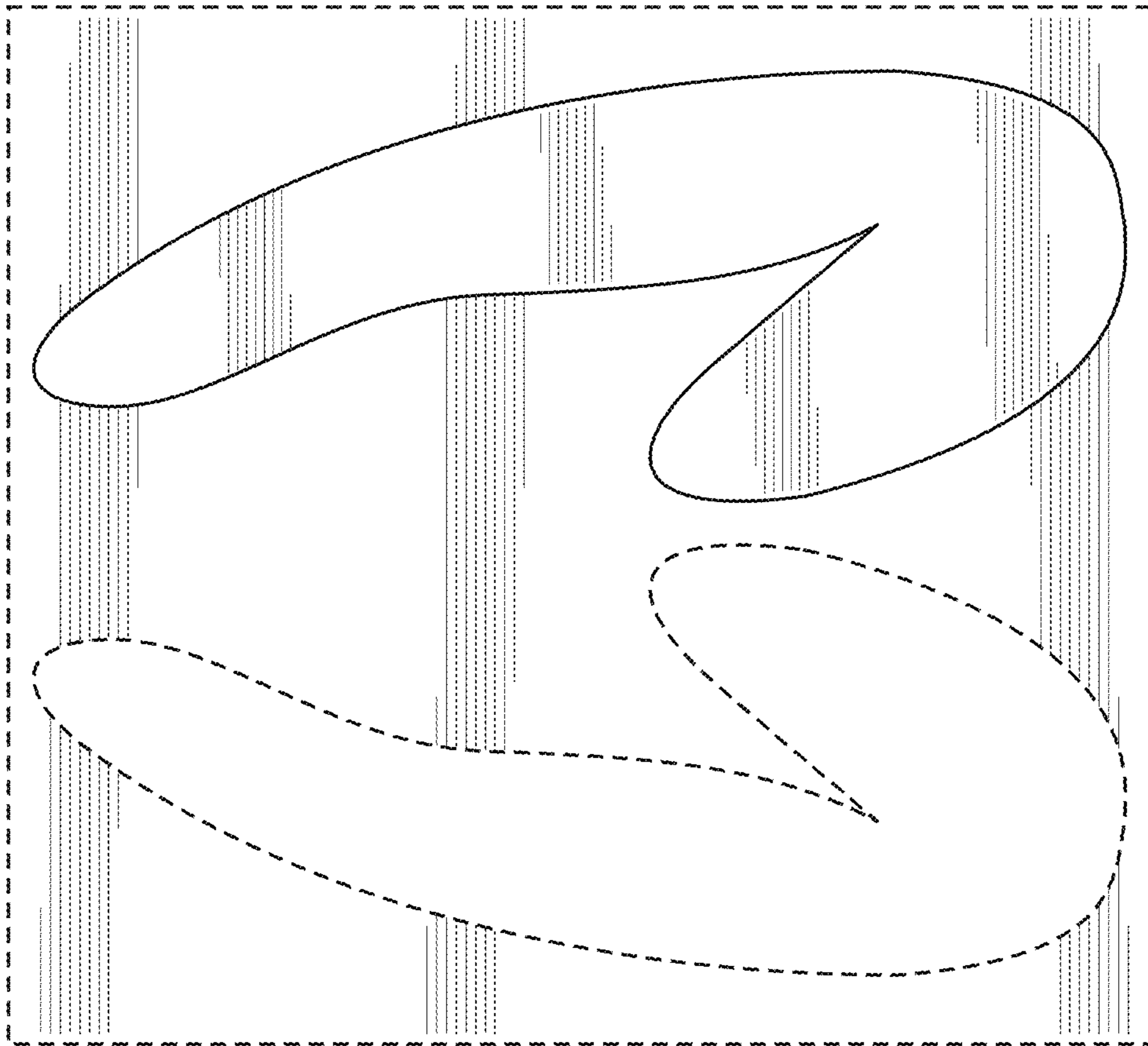


FIG. 2

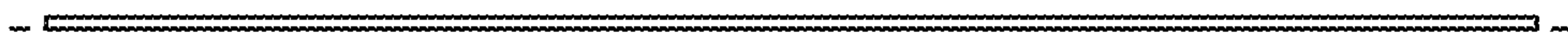


FIG. 3



FIG. 4



FIG. 5

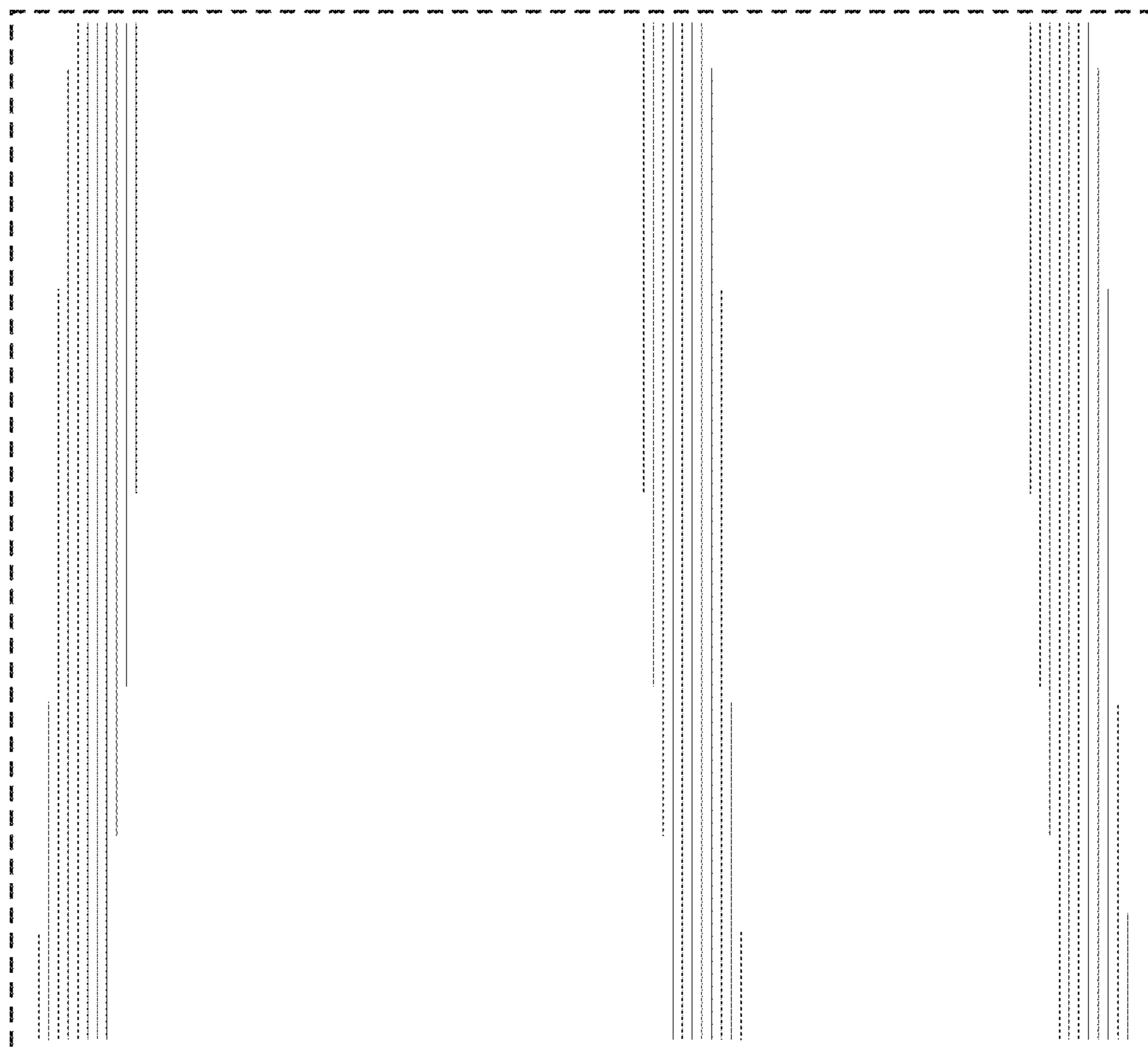


FIG. 6

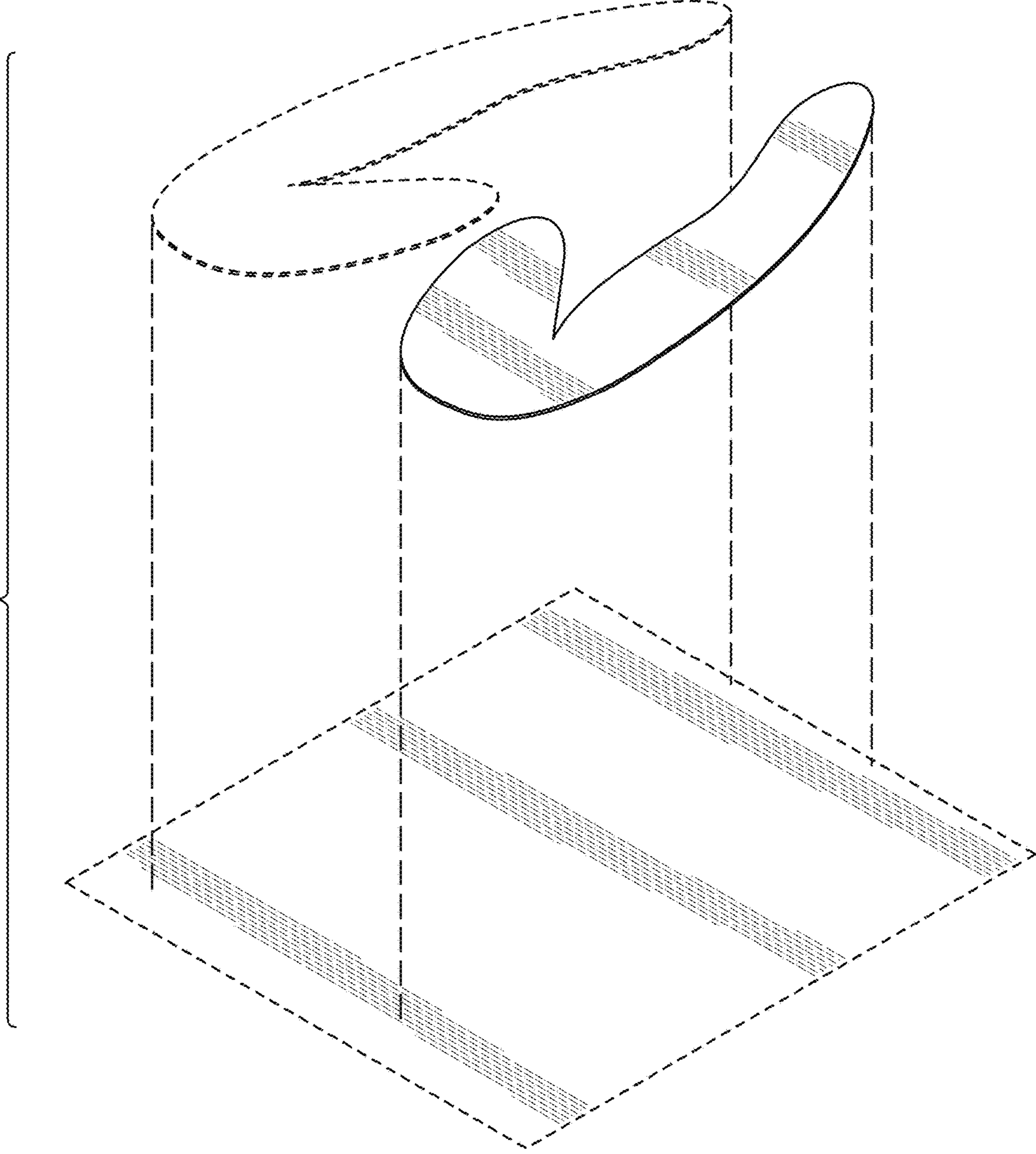


FIG. 7