



(12) **United States Design Patent** (10) **Patent No.:** **US D800,960 S**
Velho (45) **Date of Patent:** **** Oct. 24, 2017**

(54) **SHAVING FOAM APPLICATOR**

(71) Applicant: **Vittorio Velho**, Panaji (IN)

(72) Inventor: **Vittorio Velho**, Panaji (IN)

(**) Term: **14 Years**

(21) Appl. No.: **29/523,458**

(22) Filed: **Apr. 9, 2015**

(30) **Foreign Application Priority Data**

Oct. 20, 2014 (IN) 266796
 Oct. 20, 2014 (IN) 266797
 Oct. 20, 2014 (IN) 266798

(51) **LOC (10) Cl.** **28-03**

(52) **U.S. Cl.**
 USPC **D28/7**

(58) **Field of Classification Search**
 USPC D28/7, 8, 20-22, 30-31, 76, 85, 99;
 132/108, 202, 208, 317, 320;
 401/202-207, 261-267; D4/132-135;
 D24/119
 CPC .. A45D 34/002; A45D 34/005; A45D 34/007;
 A45D 34/04; A45D 34/041; A45D
 34/042; A45D 34/043; A45D 34/045;
 A45D 34/046; A45D 34/047; A45D
 34/048; A45D 34/06

See application file for complete search history.

(56) **References Cited**

U.S. PATENT DOCUMENTS

4,856,136 A * 8/1989 Janssen A46B 3/02
 15/210.1
 5,433,225 A * 7/1995 Liggett A45D 19/0025
 132/200
 D407,526 S * 3/1999 Weiler D28/7
 D656,269 S * 3/2012 Castagno D28/7
 D741,543 S * 10/2015 Rufo D28/7

* cited by examiner

Primary Examiner — Zenia Bennett

(74) *Attorney, Agent, or Firm* — Knobbe Martens Olson & Bear LLP

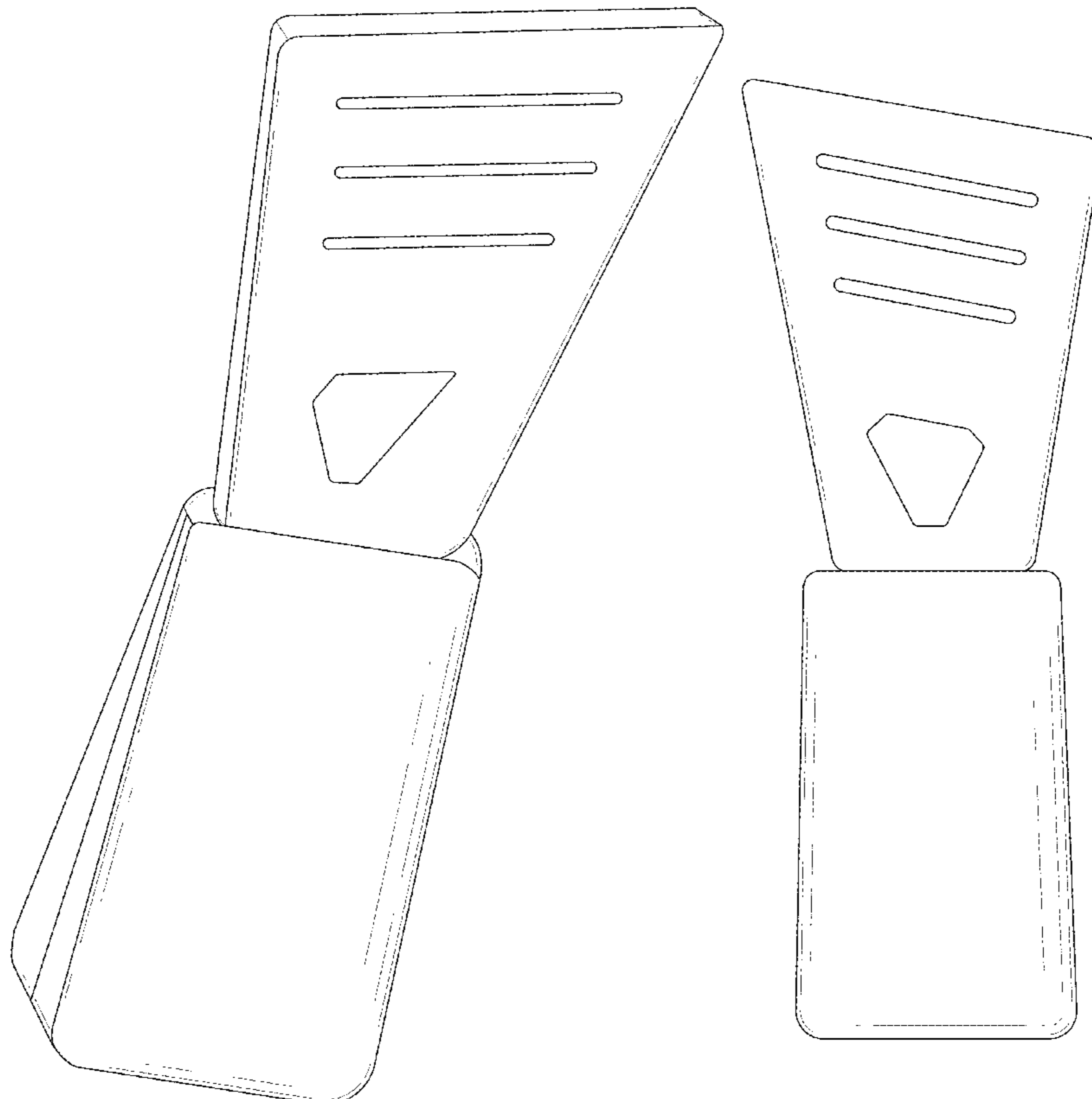
(57) **CLAIM**

The ornamental design for a shaving foam applicator, as shown.

DESCRIPTION

FIG. 1 is a front perspective view of a shaving foam applicator, showing my new design.
 FIG. 2 is a front elevational view thereof.
 FIG. 3 is a rear elevational view thereof.
 FIG. 4 is a right side elevational view thereof.
 FIG. 5 is a left side elevational view thereof.
 FIG. 6 is a top plan view thereof; and,
 FIG. 7 is a bottom plan view thereof.

1 Claim, 7 Drawing Sheets



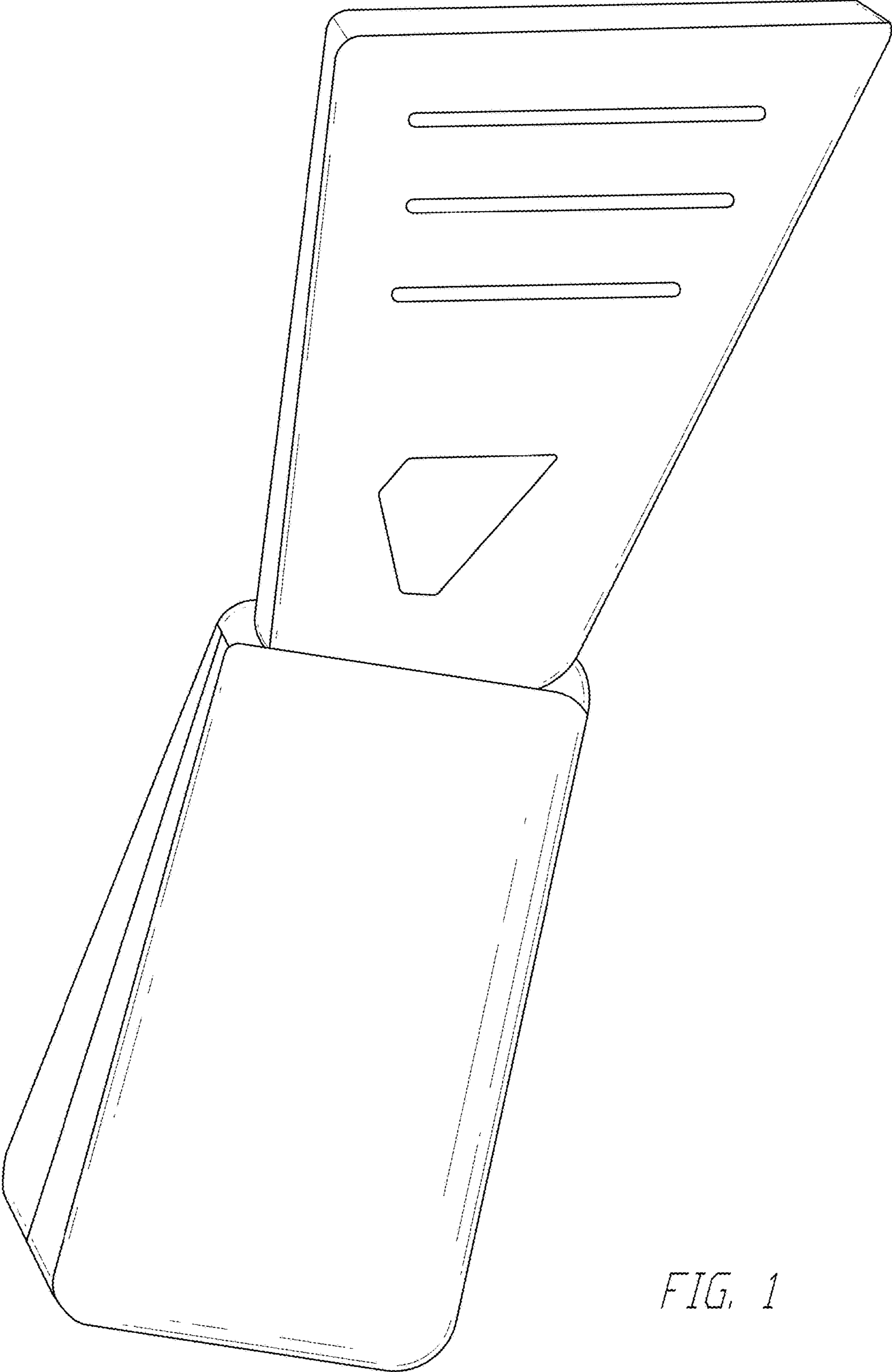


FIG. 1

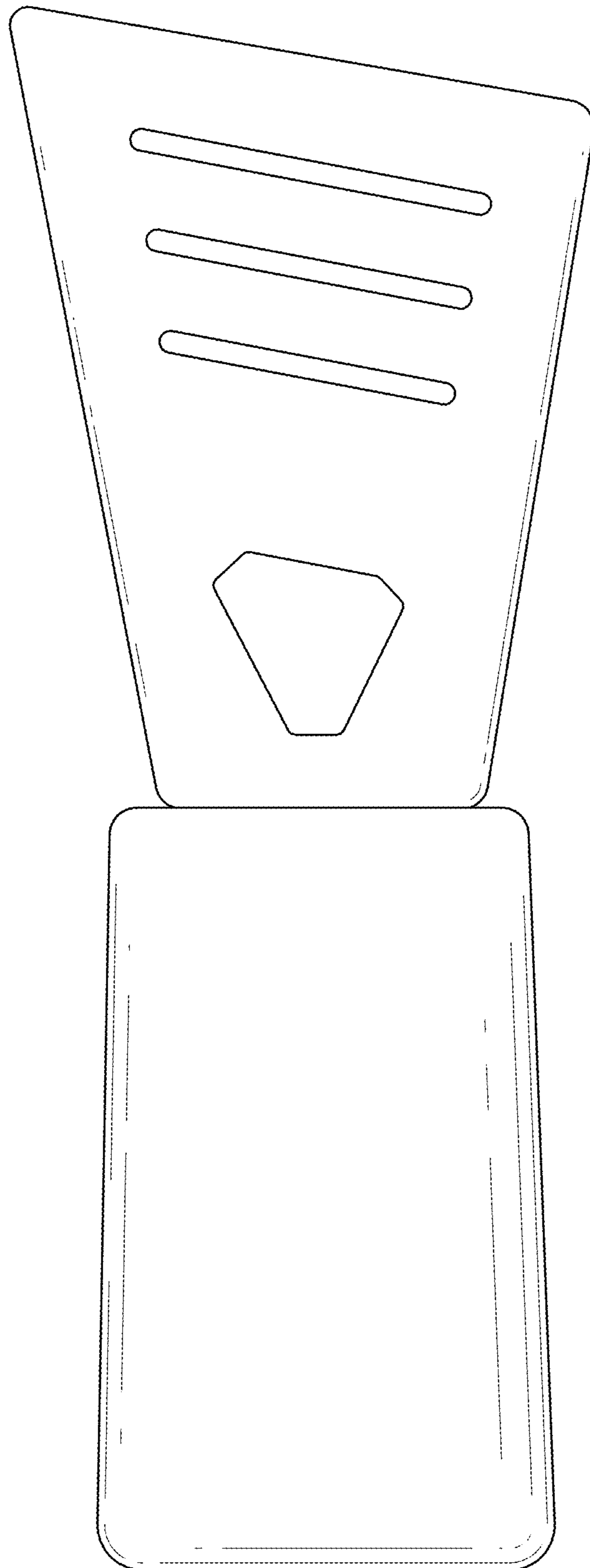


FIG. 2

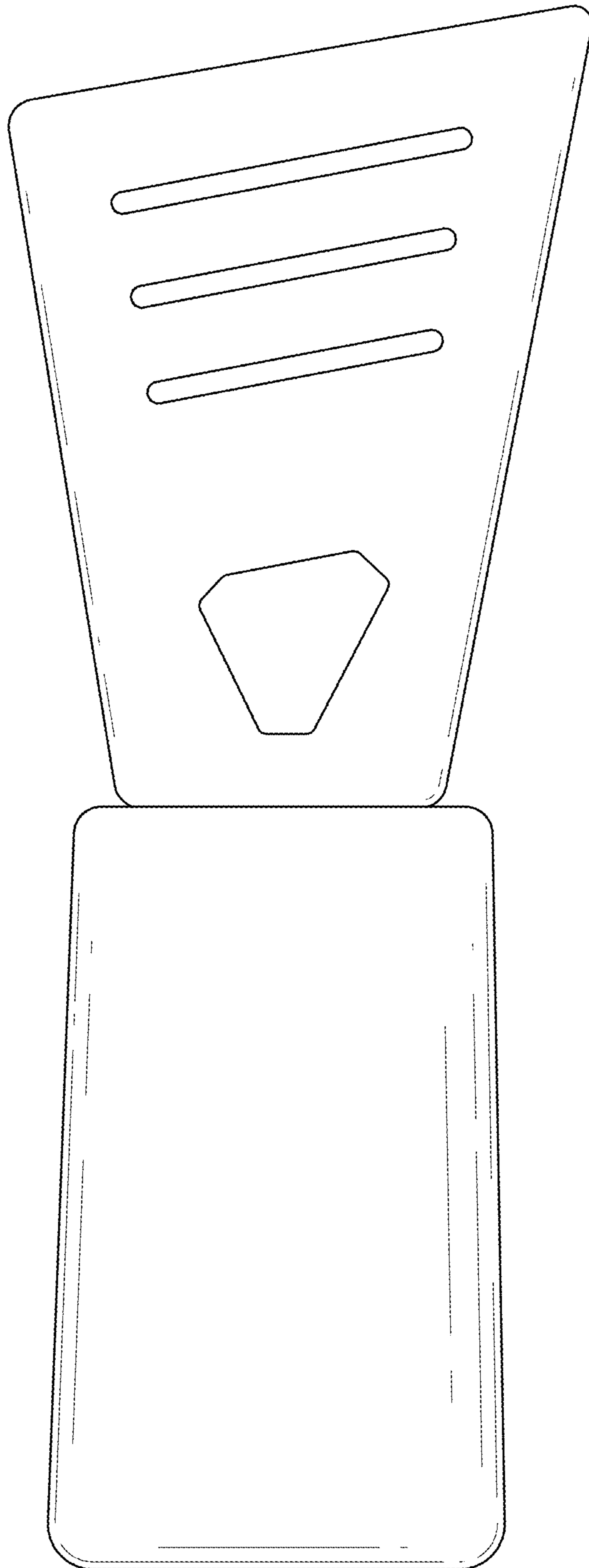


FIG. 3

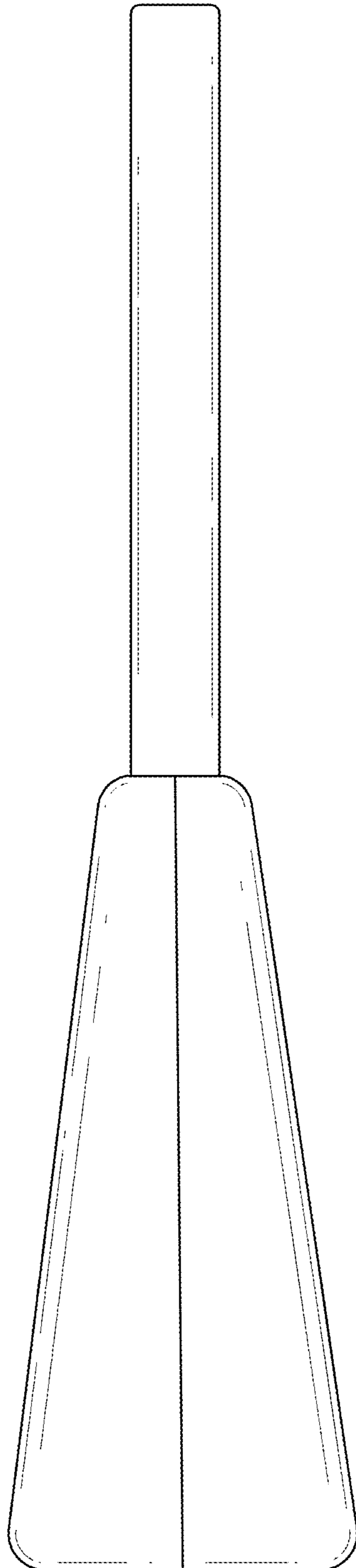


FIG. 4

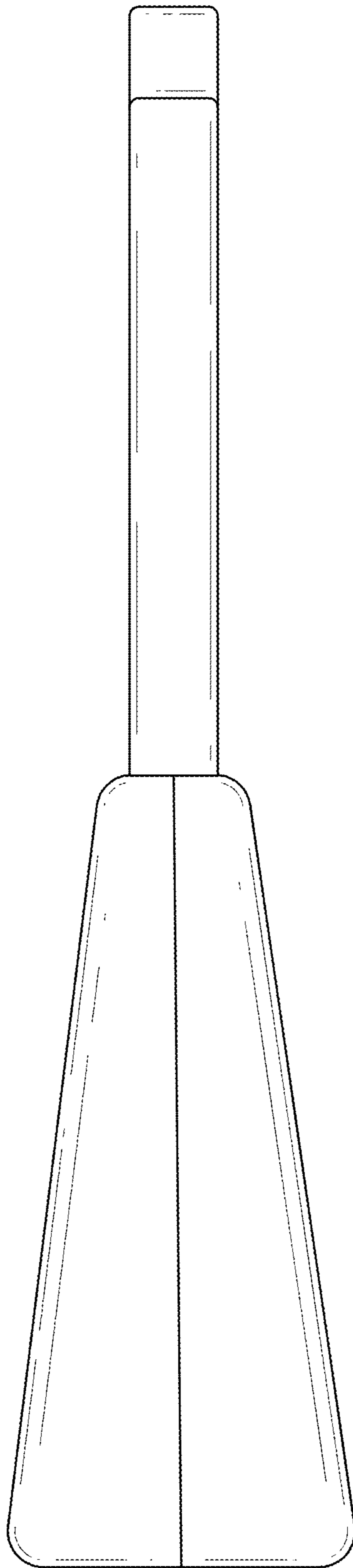


FIG. 5

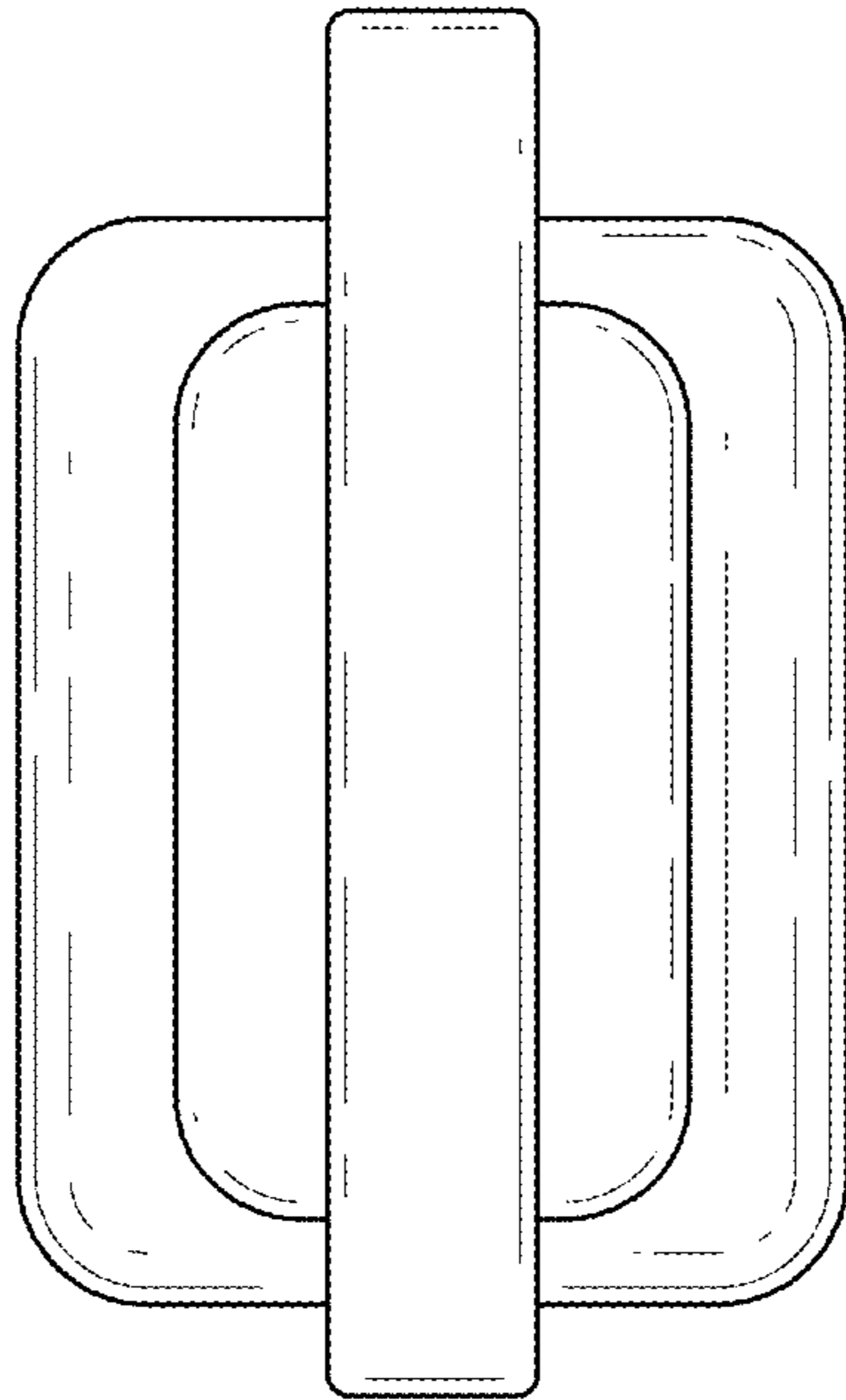


FIG. 6

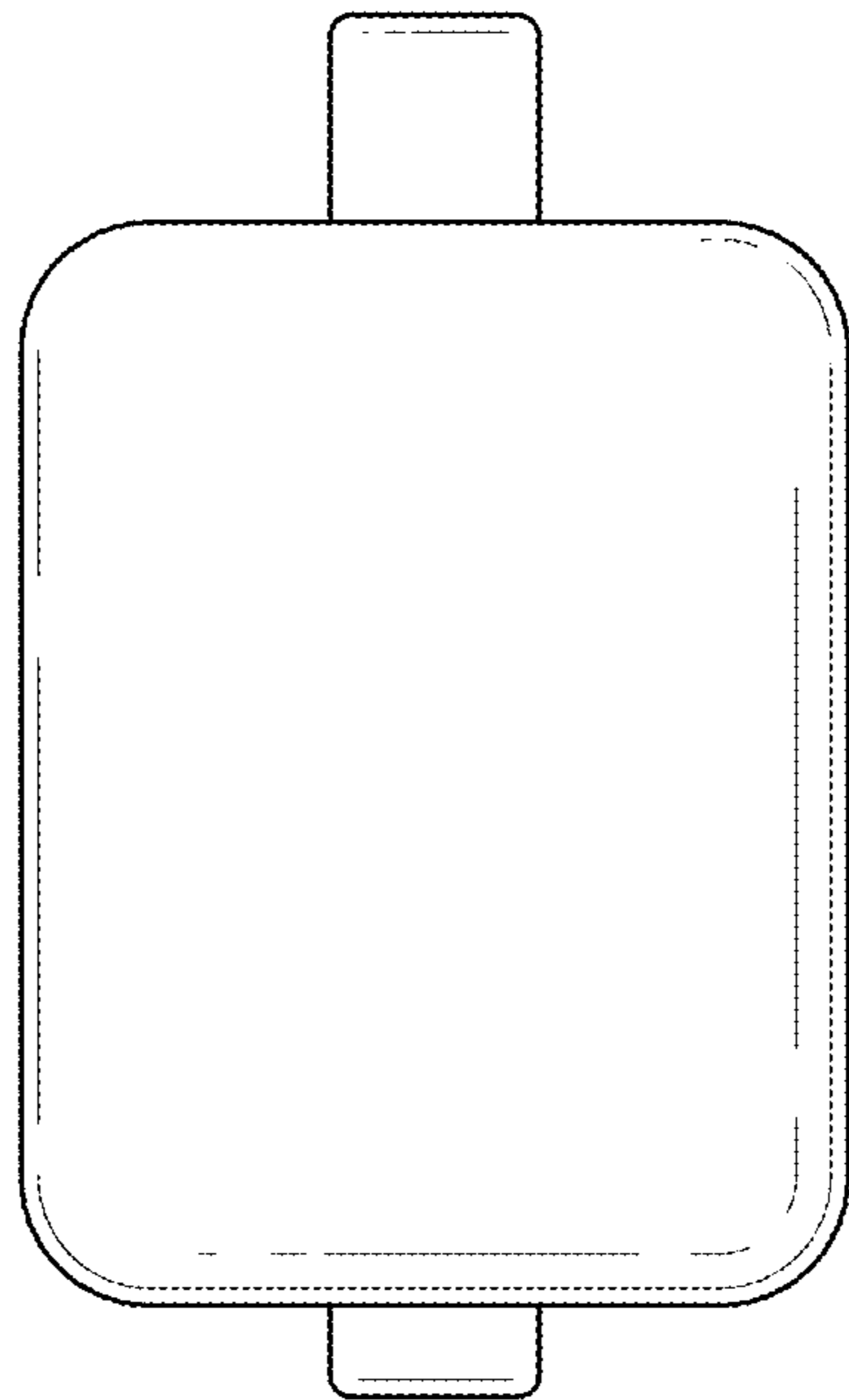


FIG. 7