



US00D800958S

(12) **United States Design Patent** (10) **Patent No.:** **US D800,958 S**
Sonneman (45) **Date of Patent:** **** Oct. 24, 2017**

(54) **LIGHT FIXTURE**
(71) Applicant: **Robert A. Sonneman**, Mamaroneck, NY (US)
(72) Inventor: **Robert A. Sonneman**, Mamaroneck, NY (US)
(**) Term: **15 Years**
(21) Appl. No.: **29/590,626**
(22) Filed: **Jan. 12, 2017**
(51) **LOC (10) Cl.** **26-05**
(52) **U.S. Cl.**
USPC **D26/138**
(58) **Field of Classification Search**
USPC D26/76, 78, 79, 80, 81, 82, 83, 85, 86, D26/88, 90, 113, 118, 119, 120, 121, 122, D26/138, 139, 140, 141, 142, 152
CPC F21S 2/00; F21S 4/00; F21S 4/003; F21S 4/005; F21S 4/006; F21S 4/007; F21S 4/008; F21S 6/00; F21S 8/00; F21S 8/024; F21S 8/026; F21S 8/031; F21S 8/033; F21S 8/035-8/037; F21S 8/04; F21S 8/043; F21S 8/063
See application file for complete search history.

(56) **References Cited**
U.S. PATENT DOCUMENTS
D217,785 S * 6/1970 Wolff D26/24
D486,335 S * 2/2004 Sonneman D6/542

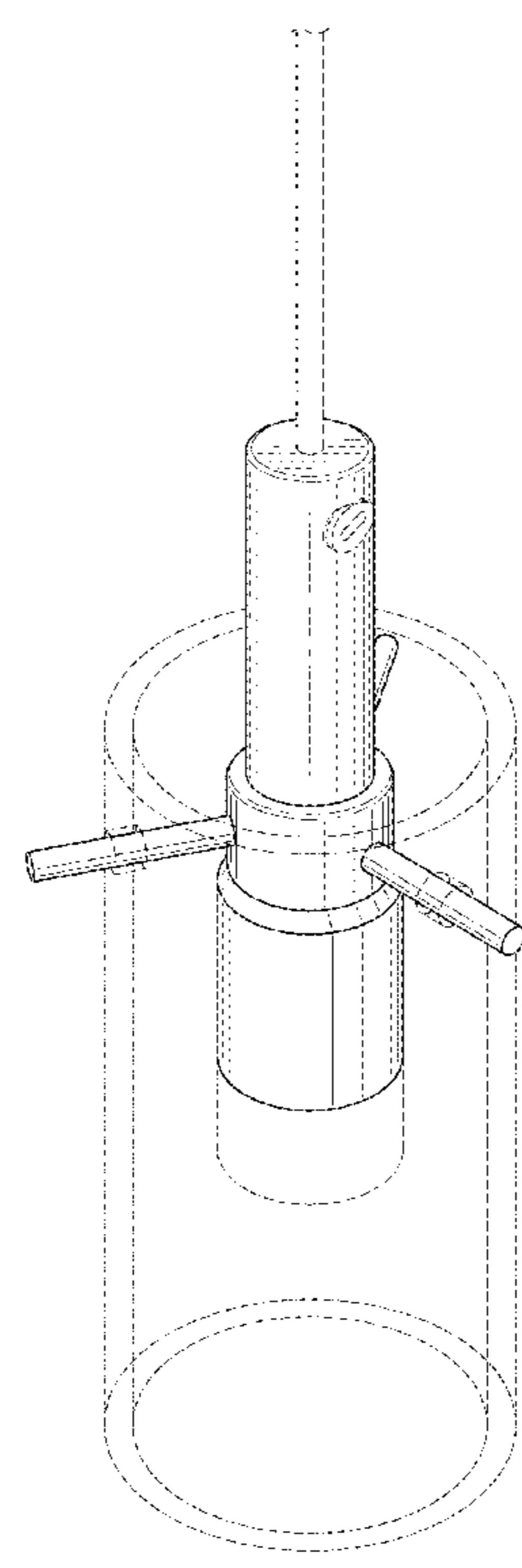
D625,455 S * 10/2010 Sonneman D26/88
D625,456 S * 10/2010 Sonneman D26/88
D625,457 S * 10/2010 Sonneman D26/88
D697,659 S * 1/2014 Sabernig D26/87
D739,070 S * 9/2015 Wilson D26/104
D790,120 S * 6/2017 Sonneman D26/138
D793,000 S * 7/2017 Sonneman D26/113
D795,483 S * 8/2017 Sonneman D26/71

* cited by examiner
Primary Examiner — George D. Kirschbaum
Assistant Examiner — Natasha Vujcic
(74) *Attorney, Agent, or Firm* — Gottlieb, Rackman & Reisman, P.C.

(57) **CLAIM**
The ornamental design for a light fixture, as shown and described.

DESCRIPTION
FIG. 1 is a perspective view of the light fixture showing my new design;
FIG. 2 is a front elevational view thereof;
FIG. 3 is a rear elevational view thereof;
FIG. 4 is a right side elevational view thereof;
FIG. 5 is a left side elevational view thereof;
FIG. 6 is a top plan view thereof; and,
FIG. 7 is a bottom plan view thereof.
The broken lines shown in the drawings are included for the purpose of illustrating portions of the article that form no part of the claimed design.

1 Claim, 7 Drawing Sheets



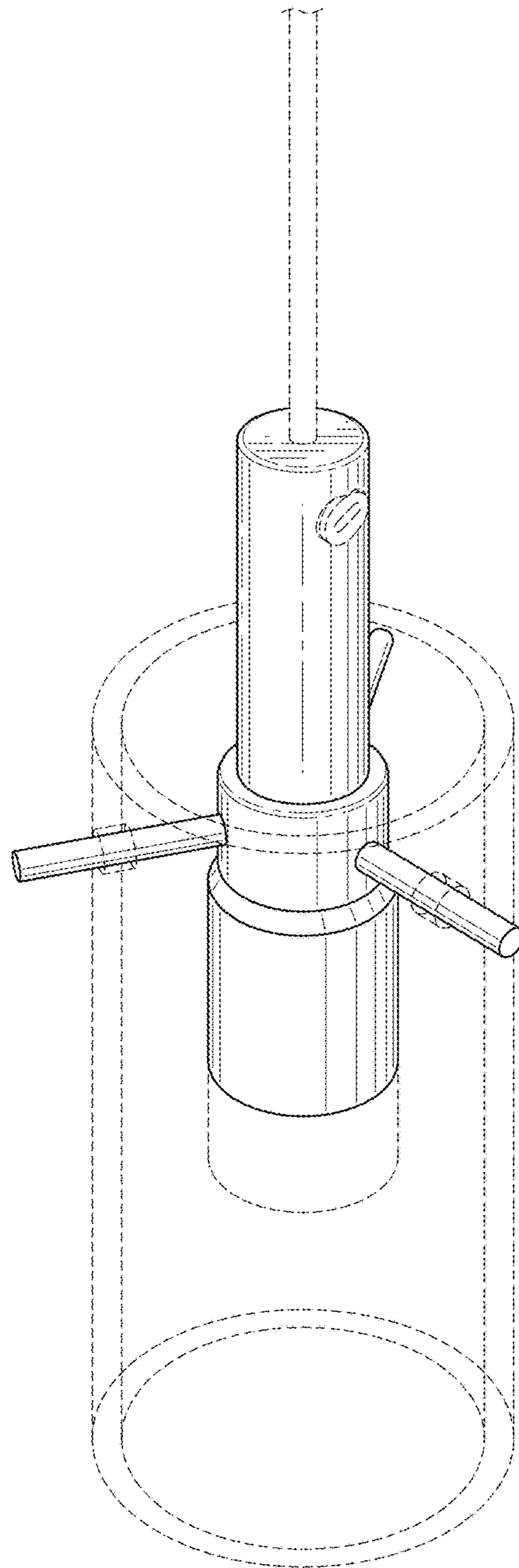


FIG. 1

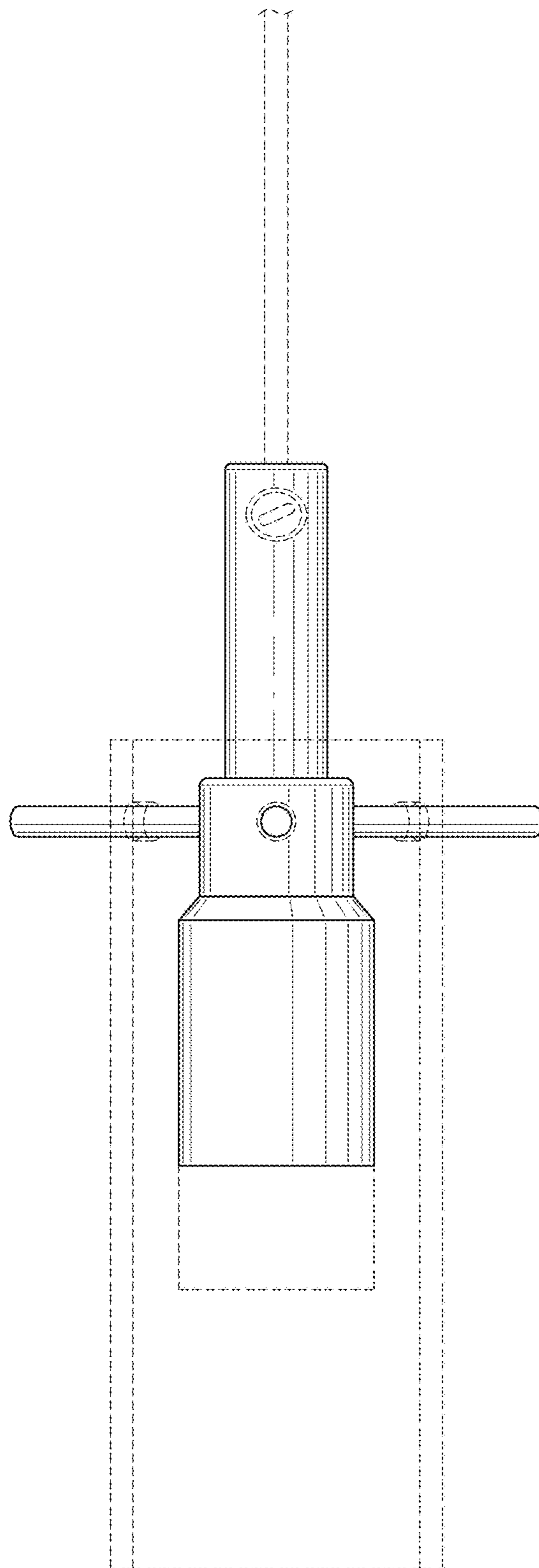


FIG. 2

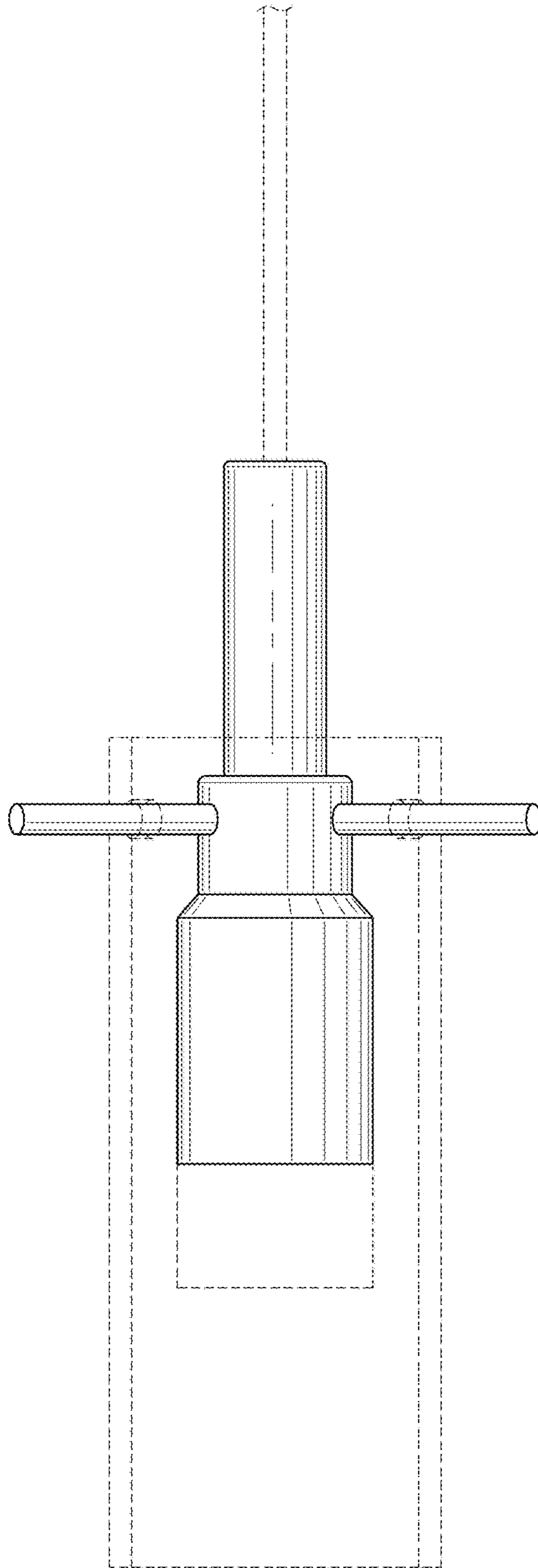


FIG. 3

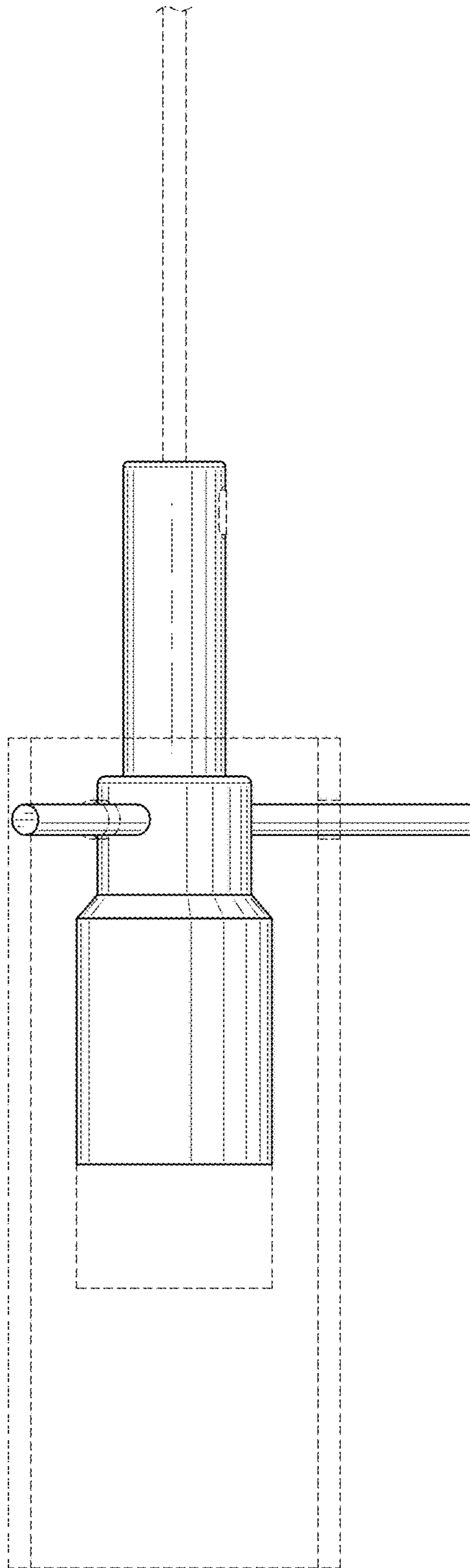


FIG. 4

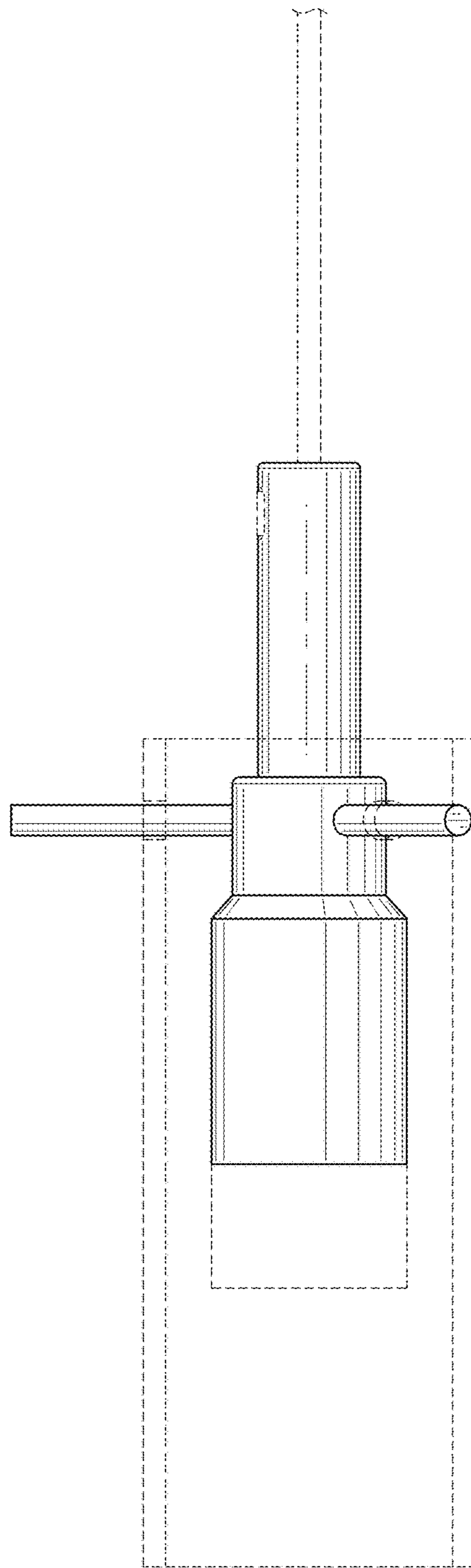


FIG. 5

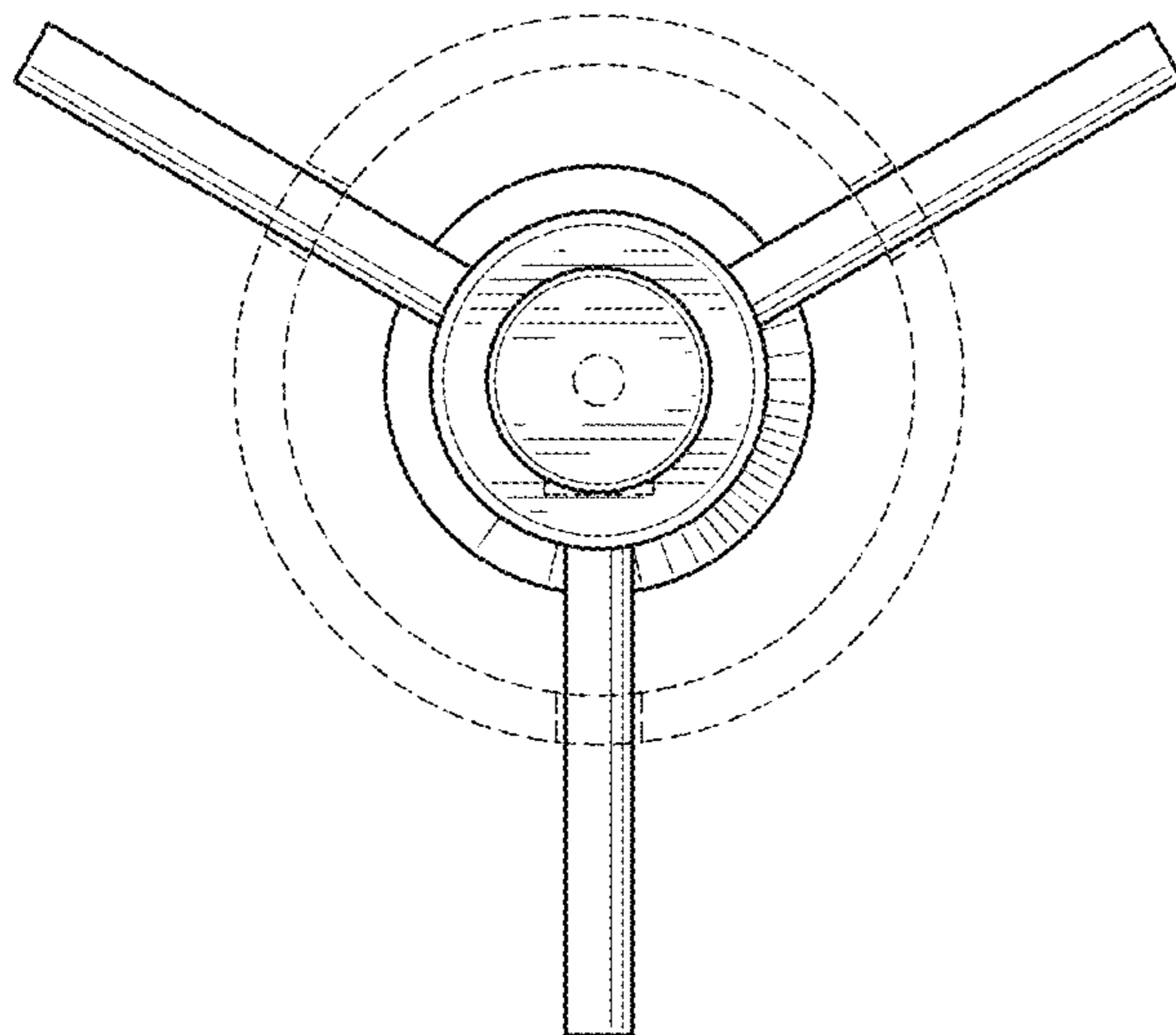


FIG. 6

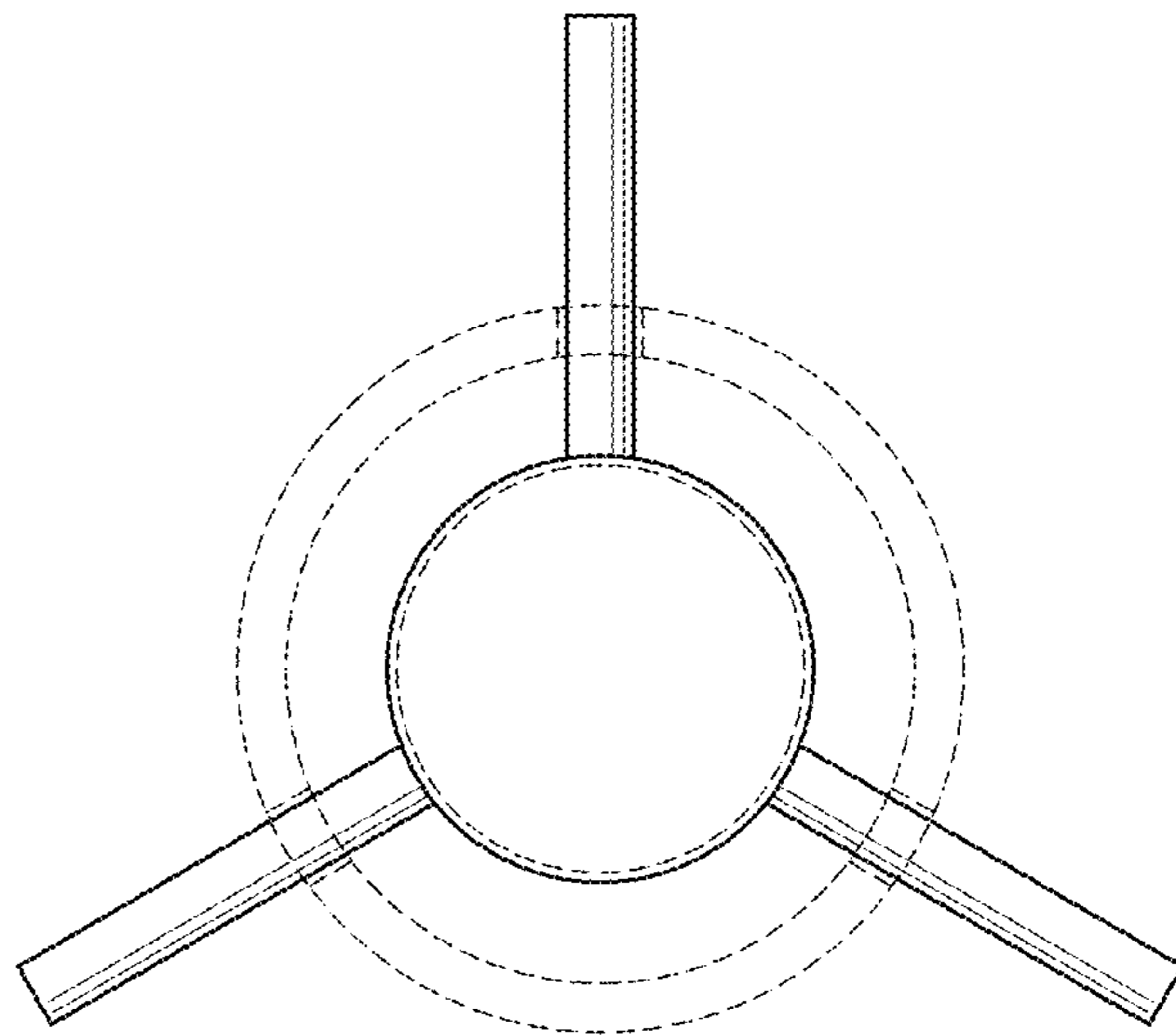


FIG. 7