



US00D800956S

(12) **United States Design Patent** (10) **Patent No.:** **US D800,956 S**  
**Pyshos et al.** (45) **Date of Patent:** **\*\* Oct. 24, 2017**

(54) **DIMPLED TRIM FOR A RECESSED LUMINAIRE**

(71) Applicants: **Steven Pyshos**, Peachtree City, GA (US); **Nivay Sahaye**, Lawrenceville, GA (US)

(72) Inventors: **Steven Pyshos**, Peachtree City, GA (US); **Nivay Sahaye**, Lawrenceville, GA (US)

(73) Assignee: **Cooper Technologies Company**, Houston, TX (US)

(\*\*) Term: **15 Years**

(21) Appl. No.: **29/535,726**

(22) Filed: **Aug. 10, 2015**

(51) **LOC (10) Cl.** ..... **26-05**

(52) **U.S. Cl.**  
USPC ..... **D26/138**

(58) **Field of Classification Search**  
USPC ..... D26/24–27, 37, 67, 72, 74–76, 80, 85, D26/89, 104, 108, 118, 120, 121, 122, D26/142, 152, 154, 155  
CPC ..... F21Y 2101/00; F21V 1/04; H04R 1/026; F21S 11/00  
See application file for complete search history.

(56) **References Cited**

**U.S. PATENT DOCUMENTS**

D325,999 S *	5/1992	Sonneman	.....	D26/152
D446,880 S *	8/2001	Lin	.....	D26/142
D467,676 S *	12/2002	Packer	.....	D26/72
D604,454 S *	11/2009	Majidi	.....	D26/142
8,948,438 B2 *	2/2015	Hatton	.....	H04R 1/02 381/332

2015/0233537 A1 *	8/2015	Athalye	.....	F21S 8/026 362/147
2015/0308660 A1 *	10/2015	Chiu	.....	F21V 13/04 362/308
2016/0061438 A1 *	3/2016	Lu	.....	F21V 33/0056 362/86
2016/0178186 A1 *	6/2016	Kusunoki	.....	F21V 29/20 362/373
2016/0195255 A1 *	7/2016	Kathawate	.....	F21S 8/026 362/373
2016/0201891 A1 *	7/2016	Wandrey	.....	F21V 29/503 362/294
2016/0209018 A1 *	7/2016	Johnson	.....	F21V 25/125

\* cited by examiner

*Primary Examiner* — John Windmuller

*Assistant Examiner* — Benjamin Weeks

(74) *Attorney, Agent, or Firm* — King & Spalding LLP

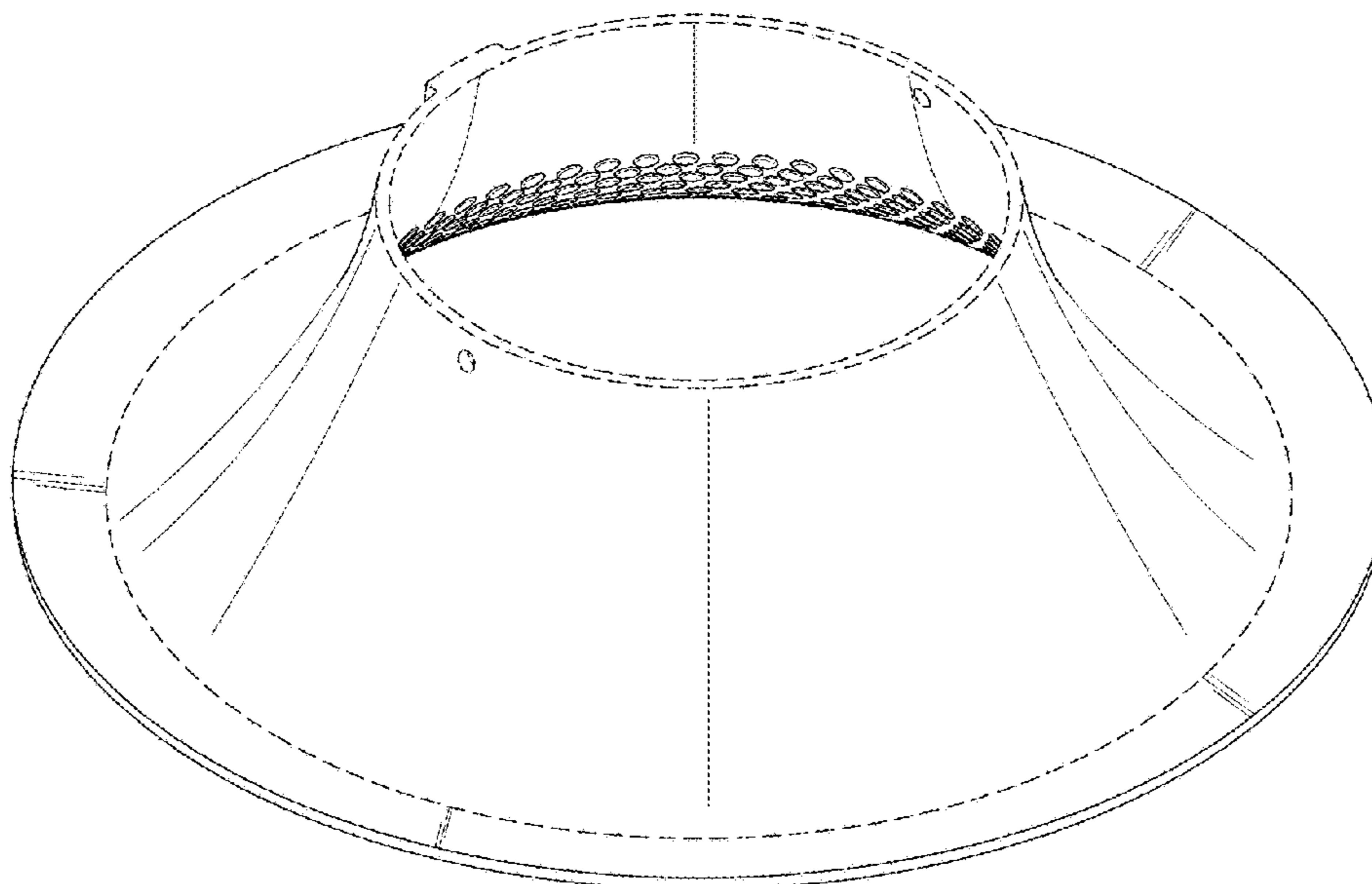
(57) **CLAIM**

The ornamental design for a dimpled trim for a recessed luminaire, as shown and described.

**DESCRIPTION**

FIG. 1 is a top perspective view of a dimpled trim for a recessed luminaire, showing our new design; FIG. 2 is a bottom perspective view thereof; FIG. 3 is a top plan view thereof; FIG. 4 is a bottom plan view thereof; FIG. 5 is a left-side elevation view thereof, the right-side elevation view being the same; FIG. 6 is a front elevation view thereof; and, FIG. 7 is a rear elevation view thereof. The broken lines shown represent unclaimed subject matter and form no part of the claimed design.

**1 Claim, 6 Drawing Sheets**



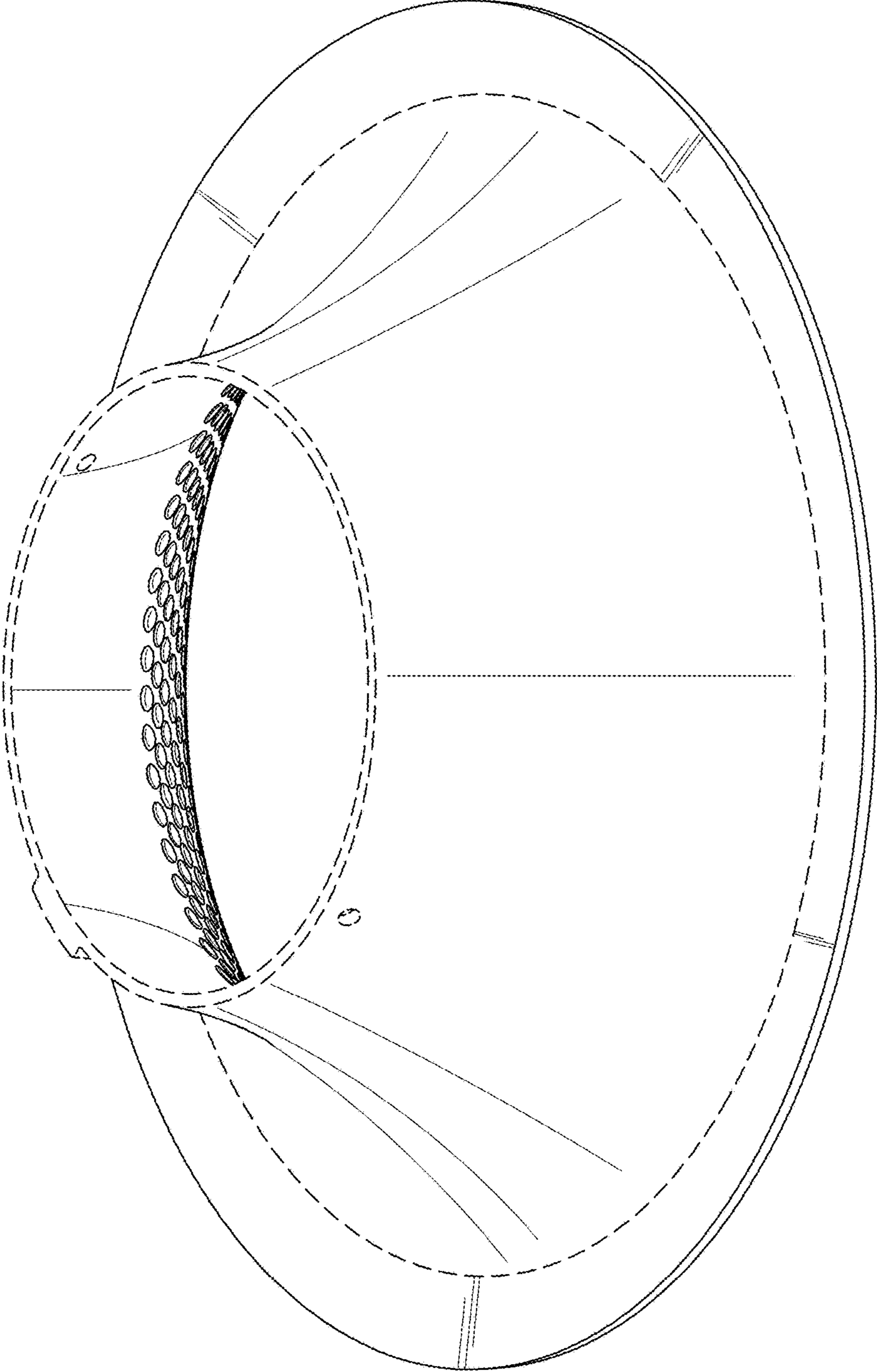


FIG. 1

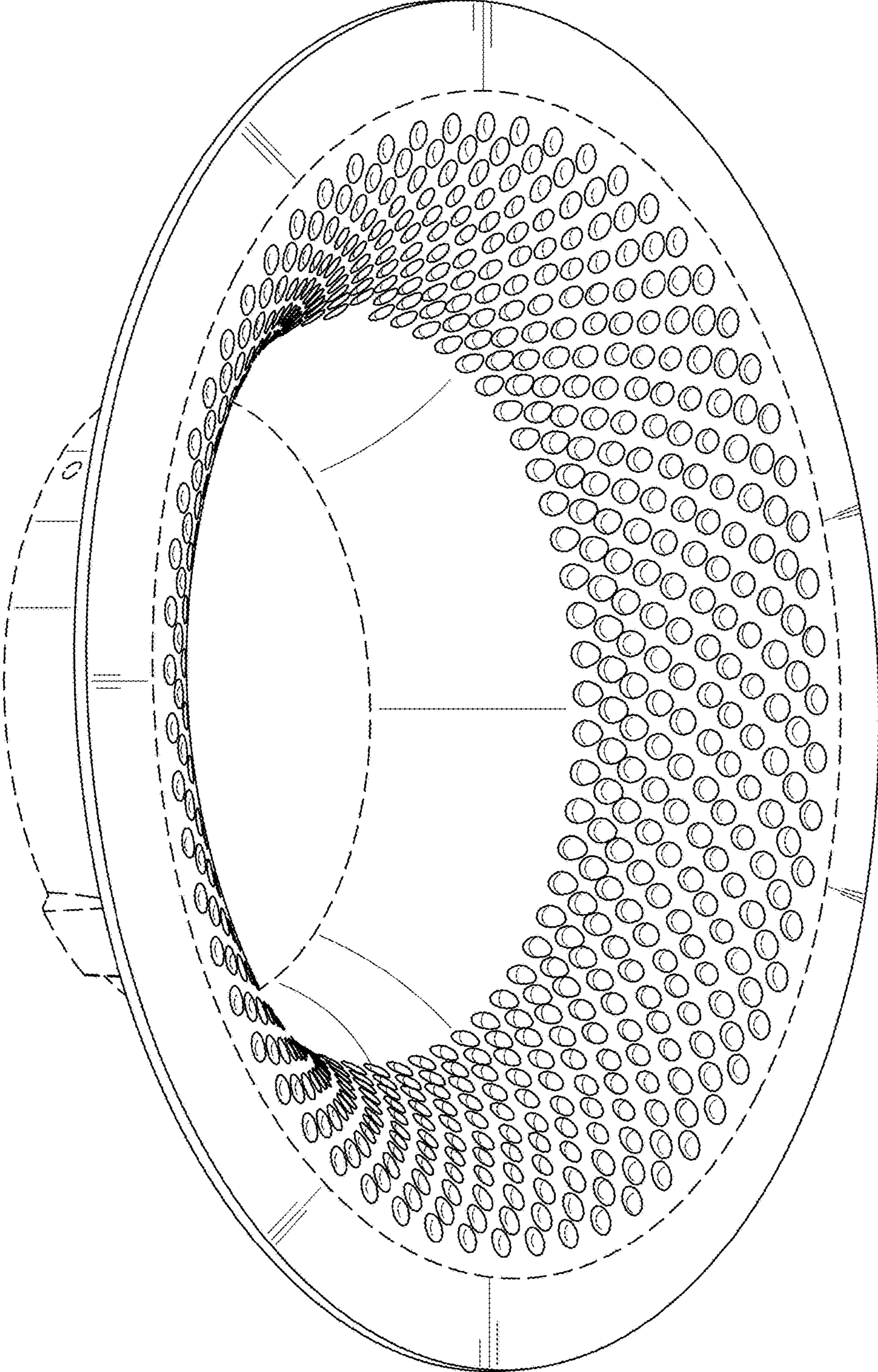


FIG. 2

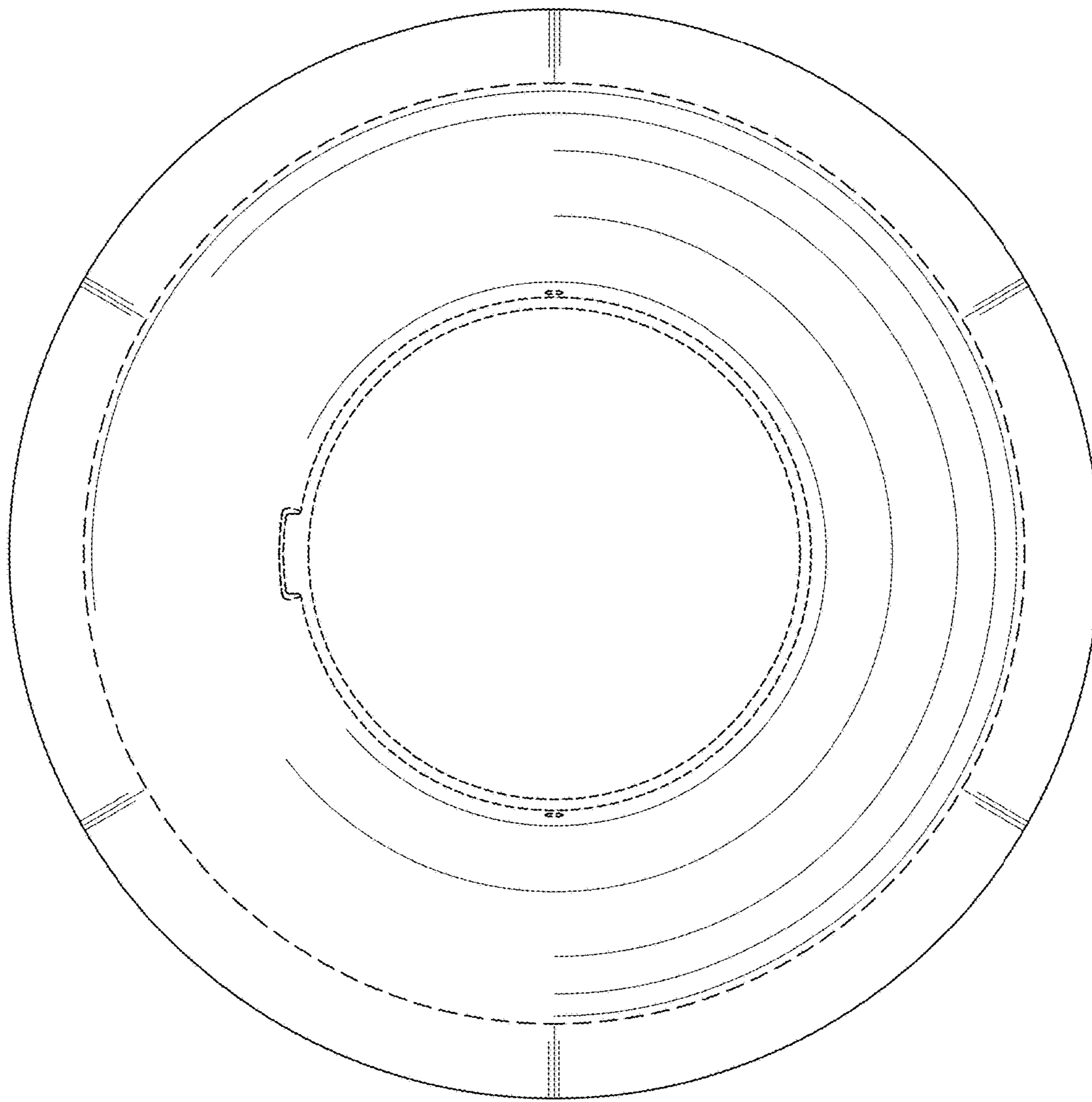


FIG. 3

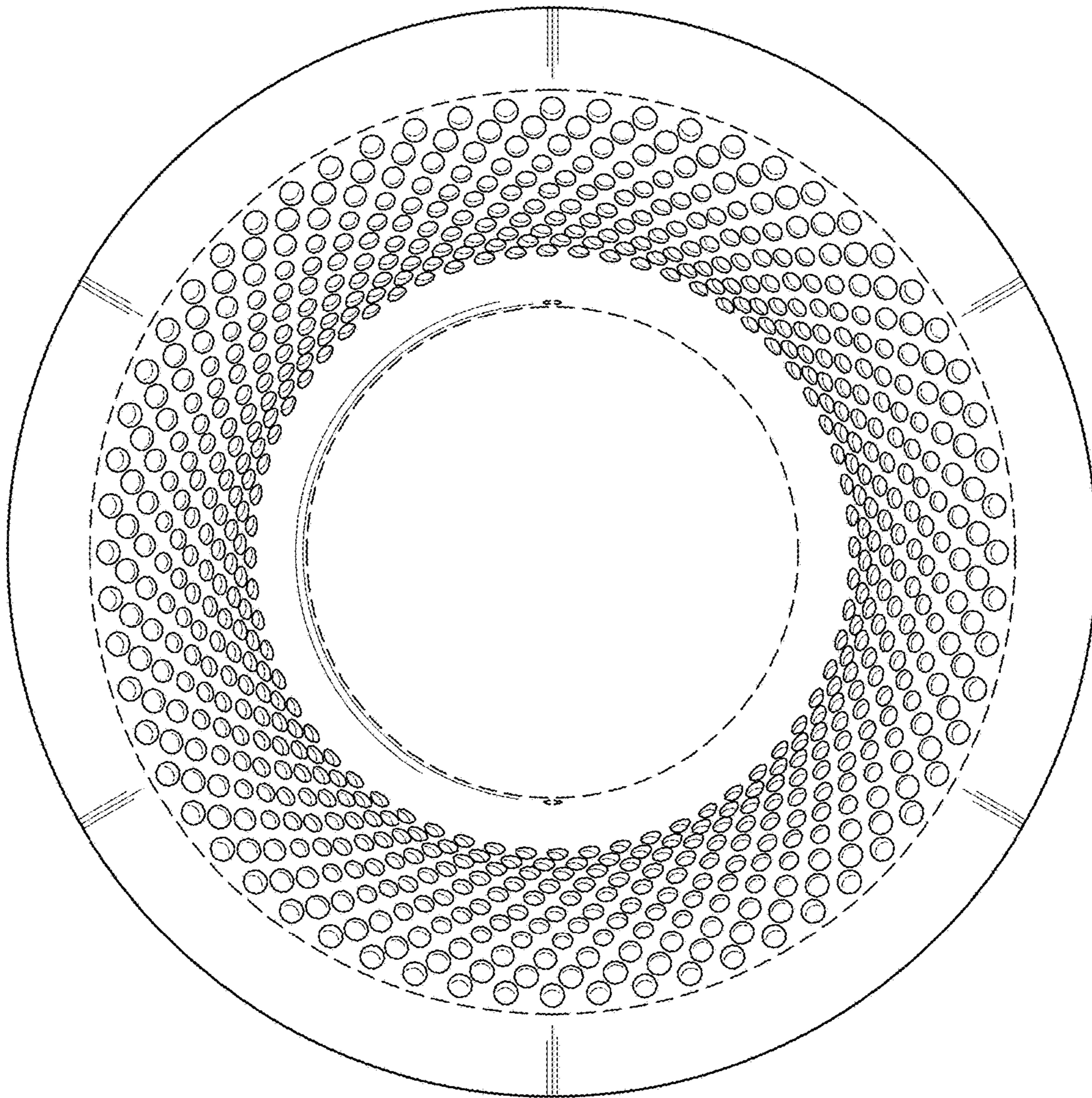


FIG. 4

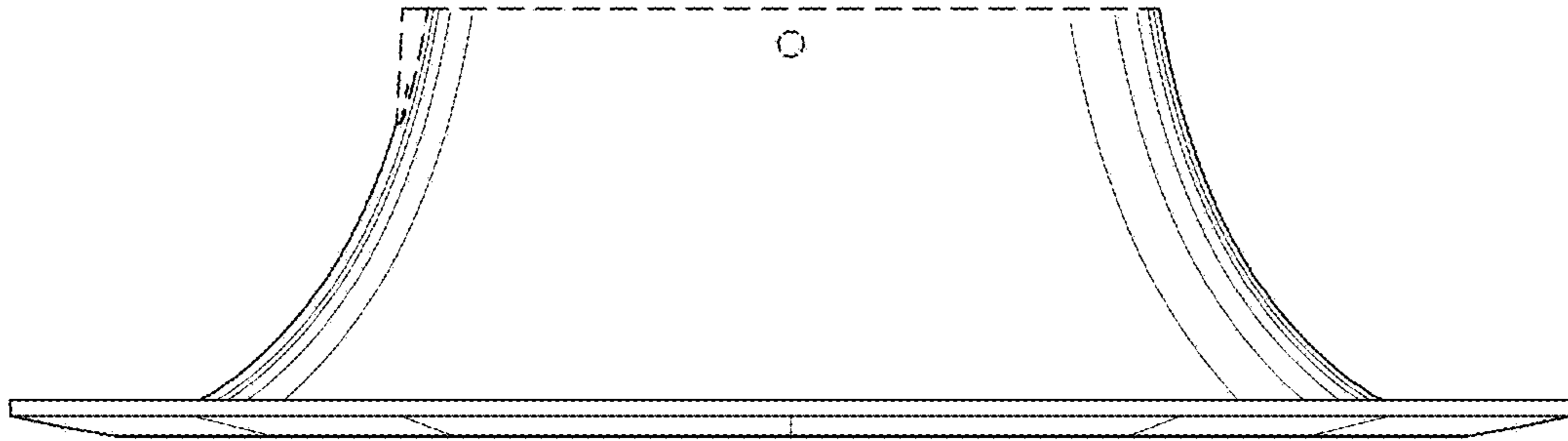


FIG. 5

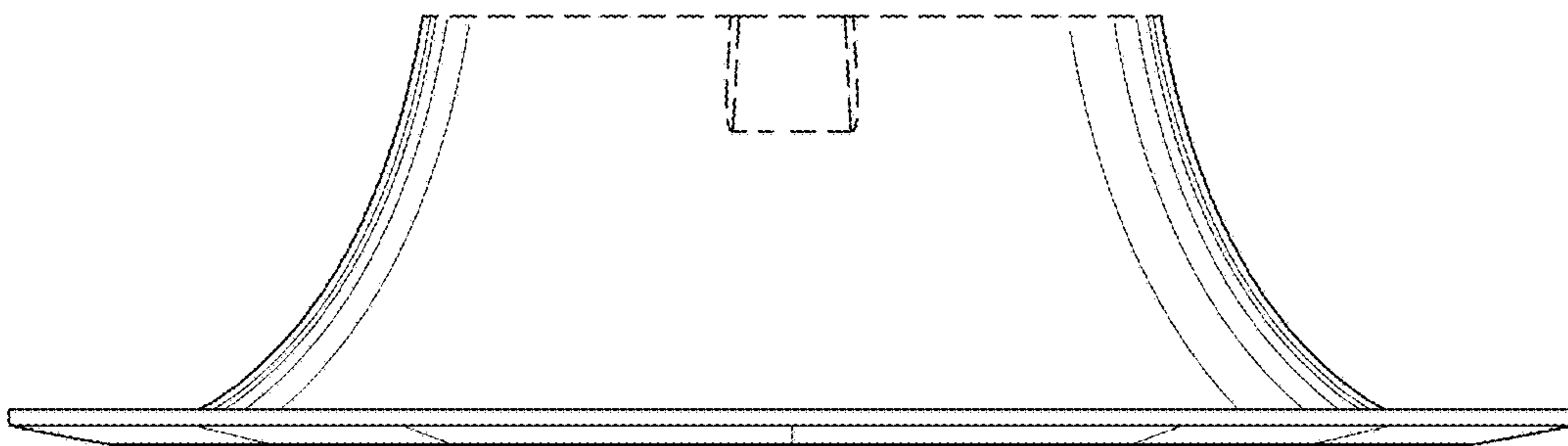


FIG. 6

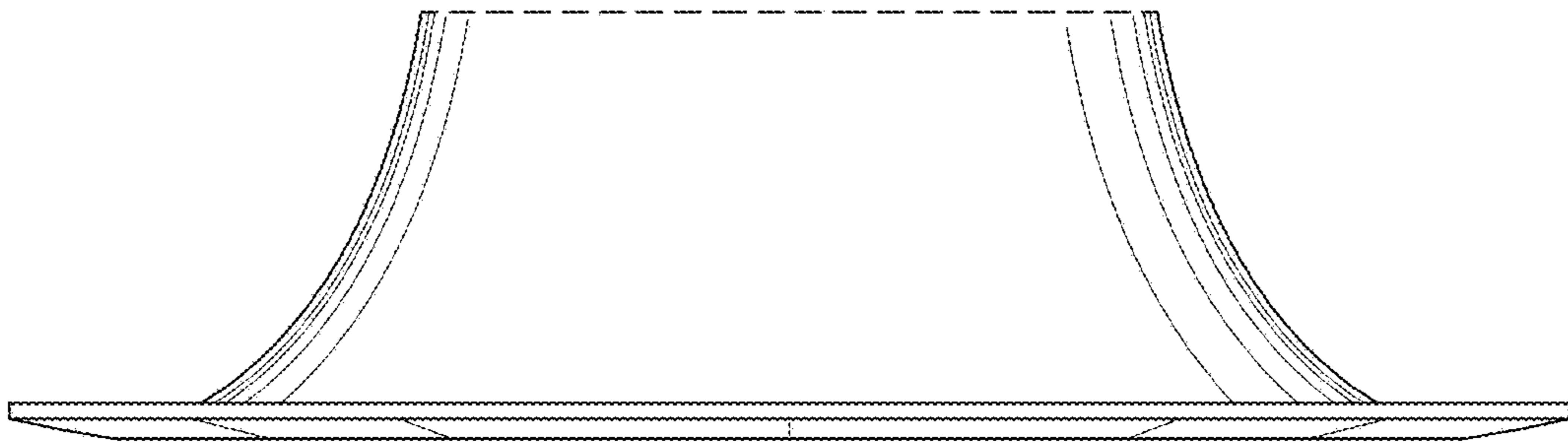


FIG. 7