



US00D800953S

(12) **United States Design Patent** (10) **Patent No.:** **US D800,953 S**
Zandée (45) **Date of Patent:** **** Oct. 24, 2017**

(54) **FLOOR LAMP**

(71) Applicant: **ESYLUX GmbH**, Ahrensburg (DE)

(72) Inventor: **Marcel Zandée**, Hamburg (DE)

(73) Assignee: **ESYLUX GmbH** (DE)

(**) Term: **15 Years**

(21) Appl. No.: **29/557,245**

(22) Filed: **Mar. 7, 2016**

(30) **Foreign Application Priority Data**

Sep. 30, 2015 (EM) 002805804-0001

Sep. 30, 2015 (EM) 002805804-0002

(Continued)

(51) **LOC (10) Cl.** **26-03**

(52) **U.S. Cl.**
USPC **D26/107**

(58) **Field of Classification Search**
USPC D26/24, 93, 106, 107, 108, 110, 112

(Continued)

(56) **References Cited**

U.S. PATENT DOCUMENTS

D502,282 S * 2/2005 Waldmann D26/107

D539,970 S * 4/2007 Waldmann D26/107

(Continued)

Primary Examiner — Brian N Vinson

(74) *Attorney, Agent, or Firm* — Robert Blaha; Carlo Julio Salas; Smith Tempel Blaha LLC

(57) **CLAIM**

The ornamental design for a floor lamp, as shown and described.

DESCRIPTION

FIG. 1 is a front left perspective view of the floor lamp of the present design in a first configuration.

FIG. 2 is a front left perspective view of the floor lamp of the present design in a second configuration.

FIG. 3 is a front view of the floor lamp of FIG. 1 and FIG. 2.

FIG. 4 is a back view of the floor lamp of FIG. 1 and FIG. 2.

FIG. 5 is a right view of the floor lamp of FIG. 1.

FIG. 6 is a left view of the floor lamp of FIG. 1.

FIG. 7 is a right view of the floor lamp of FIG. 2.

FIG. 8 is a left view of the floor lamp of FIG. 2.

FIG. 9 is a top view of the floor lamp of FIG. 1.

FIG. 10 is a bottom view of the floor lamp of FIG. 1.

FIG. 11 is a top view of the floor lamp of FIG. 2.

FIG. 12 is a bottom view of the floor lamp of FIG. 2.

FIG. 13 is a magnified partial right view of the floor lamp of FIG. 2.

FIG. 14 is a front left perspective view of another embodiment of a floor lamp of the present design in a first configuration.

FIG. 15 is a front left perspective view of the floor lamp of FIG. 14 in a second configuration.

FIG. 16 is a front view of the floor lamp of FIG. 14 and FIG. 15.

FIG. 17 is a back view of the floor lamp of FIG. 14 and FIG. 15.

FIG. 18 is a right view of the floor lamp of FIG. 14.

FIG. 19 is a left view of the floor lamp of FIG. 14.

FIG. 20 is a right view of the floor lamp of FIG. 15.

FIG. 21 is a left view of the floor lamp of FIG. 15.

FIG. 22 is a top view of the floor lamp of FIG. 14.

FIG. 23 is a bottom view of the floor lamp of FIG. 14.

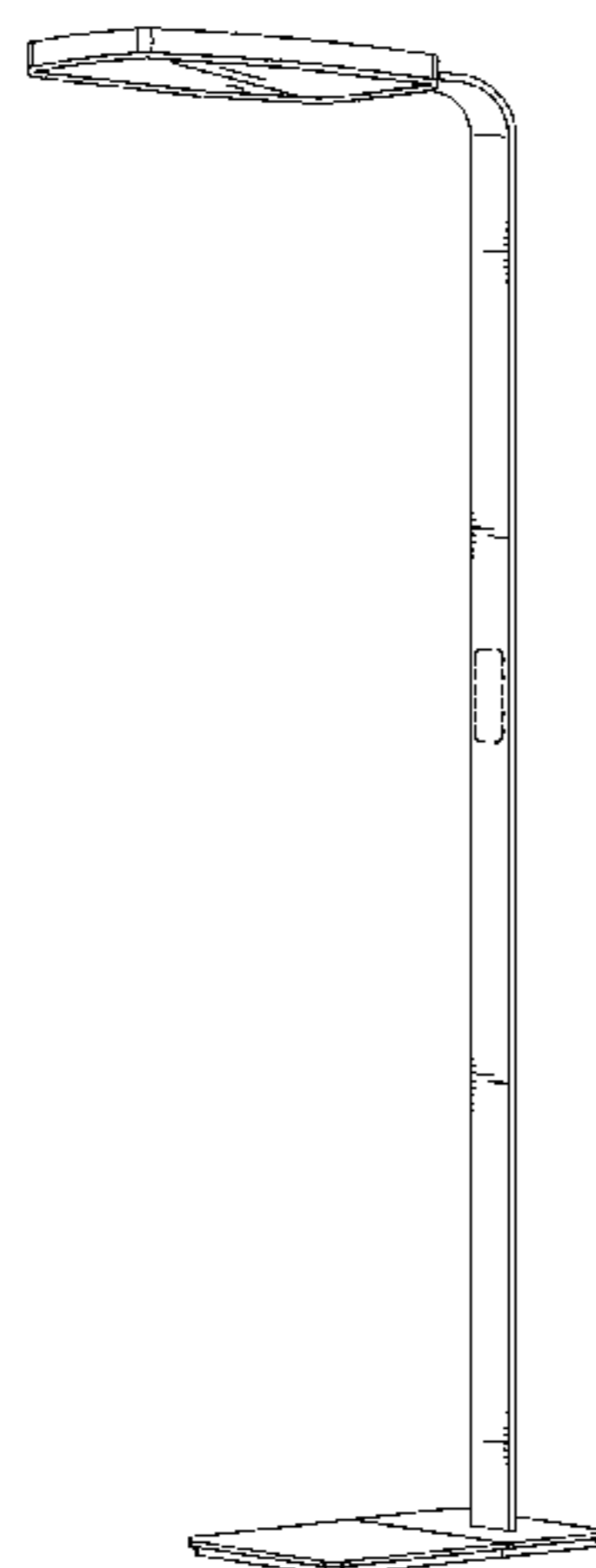
FIG. 24 is a top view of the floor lamp of FIG. 15.

FIG. 25 is a bottom view of the floor lamp of FIG. 15; and,

FIG. 26 is a magnified partial right view of the floor lamp of FIG. 15.

The broken lines, within the claimed design, in embodiments 1 and 2, at FIGS. 1-3, 7-8, 10-13, in their entirety, and the broken lines, within the claimed design, in embodiment 2, at FIGS. 14-16, other than those situated on the lamp head of the floor lamp, and the broken lines, within the claimed design, in embodiment 2, at FIGS. 20-21, in their entirety, and the broken lines, within the claimed design, in embodiment 2, at FIGS. 22-25, other than those situated on the lamp head of the floor lamp, and the broken lines, within the

(Continued)



claimed design, in embodiment 2, at FIG. 26, in their entirety, represent certain non claimed floor lamp features and, therefore, are for illustrative purposes only. The closed broken line, within the claimed design, in embodiment 2, at FIGS. 14-15 and 22-25, as situated on the lamp head of the floor lamp, and within the context of embodiment 1, that depicts an elongated rectangular shape, with rounded corners, nested within, and laying adjacent to, an outer and larger similarly-shaped element with solid lines, indicates a non claimed frame with non claimed width bounding the translucent or transparent feature of the claimed design, as is represented by the surface shading depicted in embodiment 1. The closed broken line, within the claimed design, in embodiment 2, at FIGS. 14-15 and 22-25, which depicts an elongated rectangular shape with rounded corners, therefore, omits surface shading within the bounds of said elongated rectangular shape as required by law or regulation.

1 Claim, 14 Drawing Sheets

(30) **Foreign Application Priority Data**

Sep. 30, 2015 (EM) 002805804-0003
 Sep. 30, 2015 (EM) 002805804-0004

Sep. 30, 2015 (EM) 002805804-0005
 Sep. 30, 2015 (EM) 002805804-0006
 Sep. 30, 2015 (EM) 002805804-0007

(58) **Field of Classification Search**

CPC F21S 6/00; F21S 6/002; F21S 8/043; F21S
 8/08; F21V 21/02; F21V 21/116; F21W
 2131/30; F21Y 2105/00

See application file for complete search history.

(56) **References Cited**

U.S. PATENT DOCUMENTS

D575,341 S * 8/2008 Pellissa Beneyto D19/170
 D609,391 S * 2/2010 Schieffelin D26/93
 D672,904 S * 12/2012 Tang D26/93
 D681,865 S * 5/2013 Lee D26/93
 D732,725 S * 6/2015 Lonsdale D26/107
 D768,908 S * 10/2016 Fisher D26/107
 D781,491 S * 3/2017 Waldmann D26/107

* cited by examiner

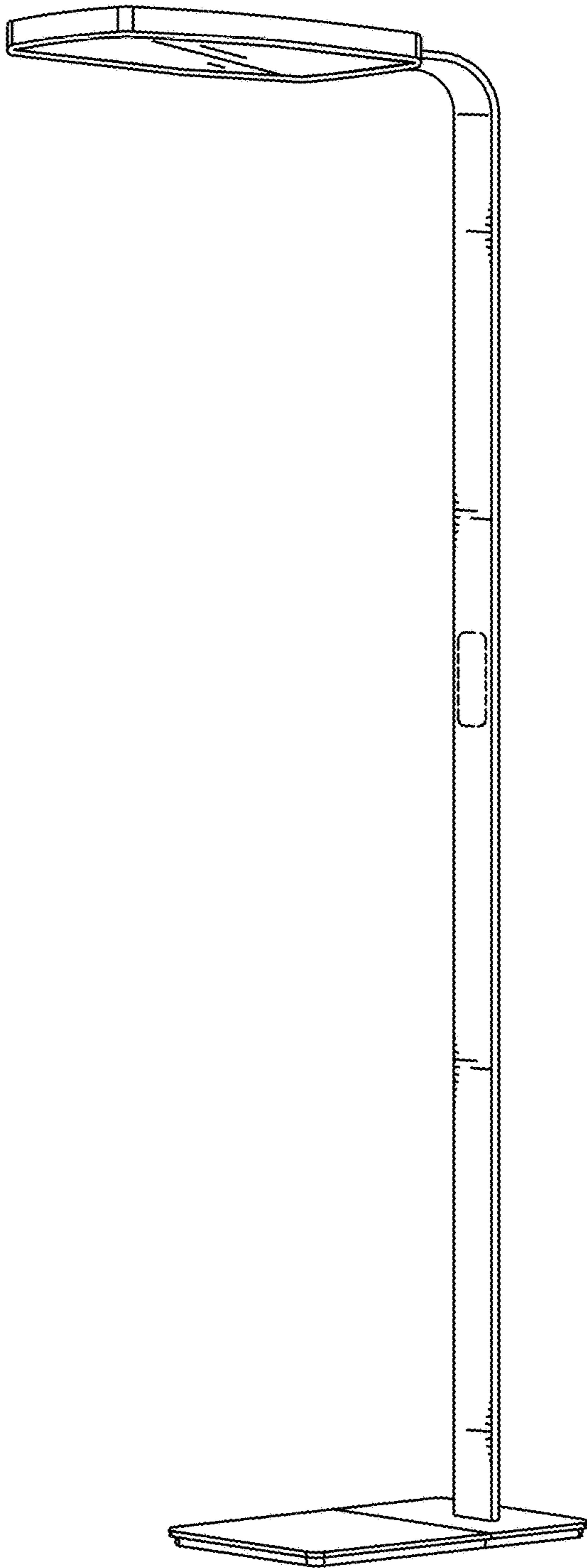


FIG. 1

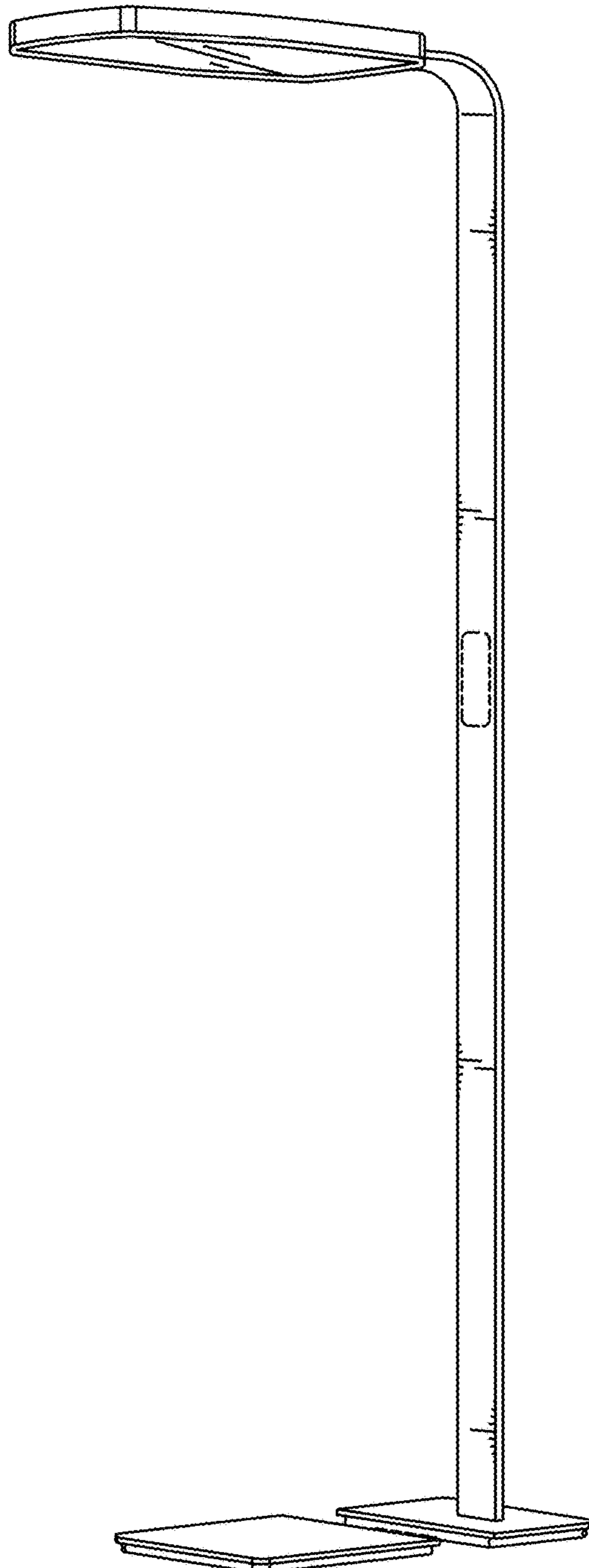


FIG. 2

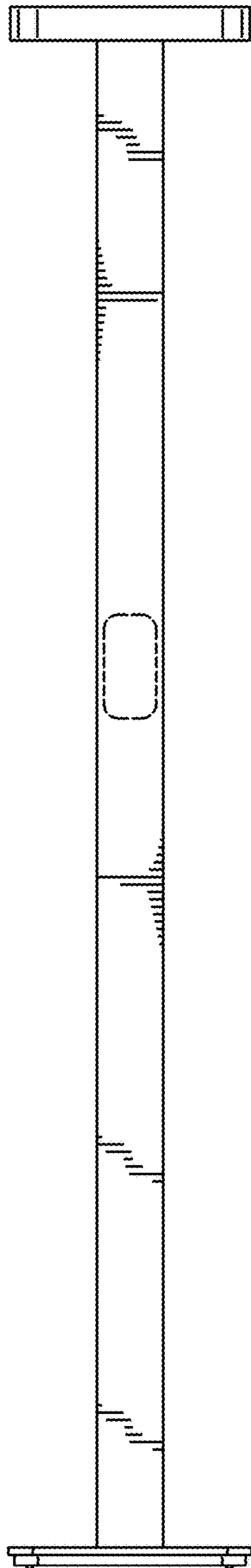


FIG. 3

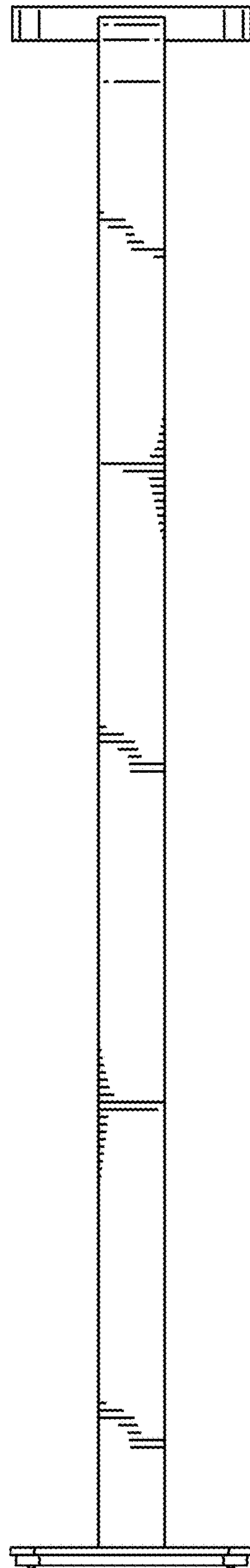


FIG. 4

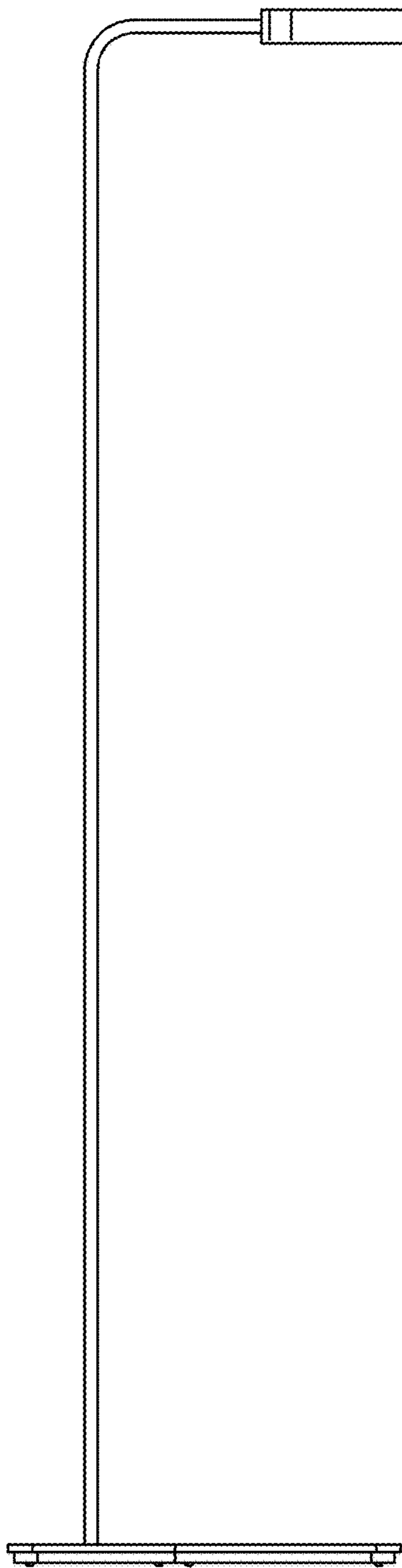


FIG. 5

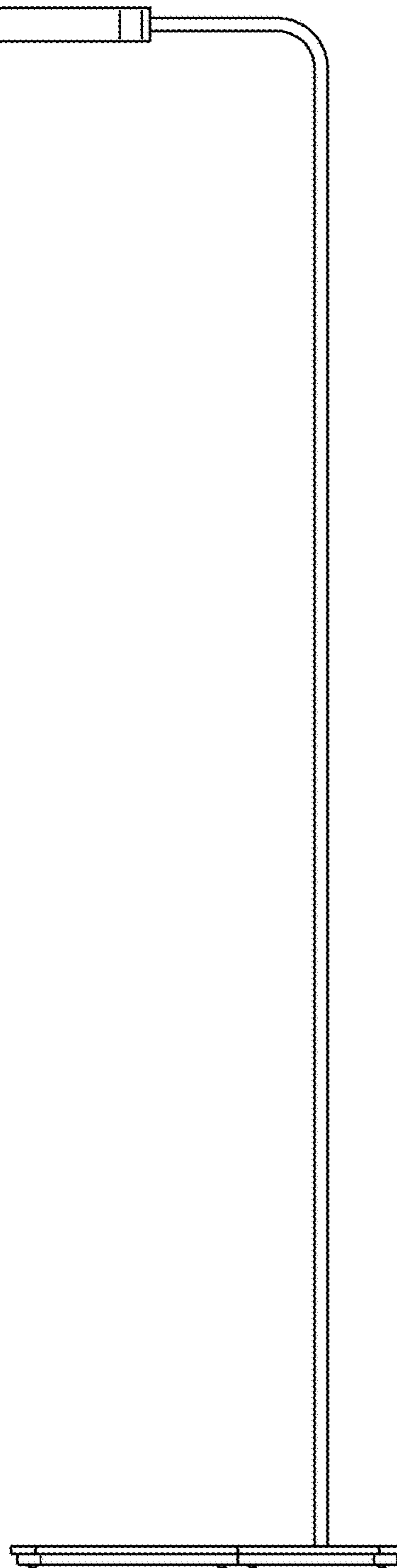


FIG. 6

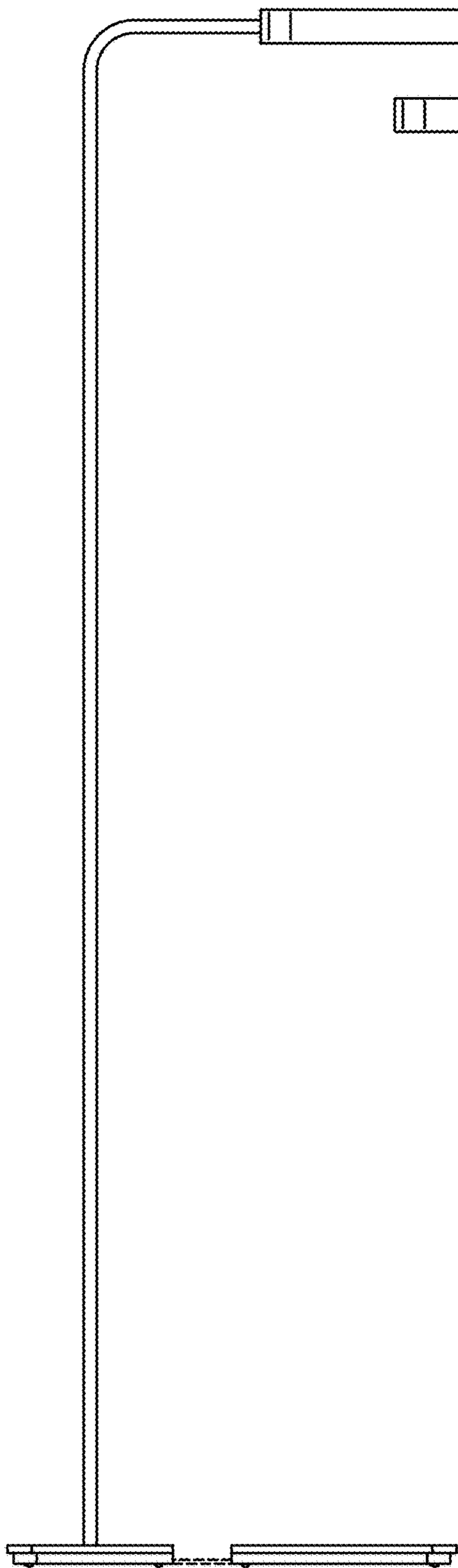


FIG. 7

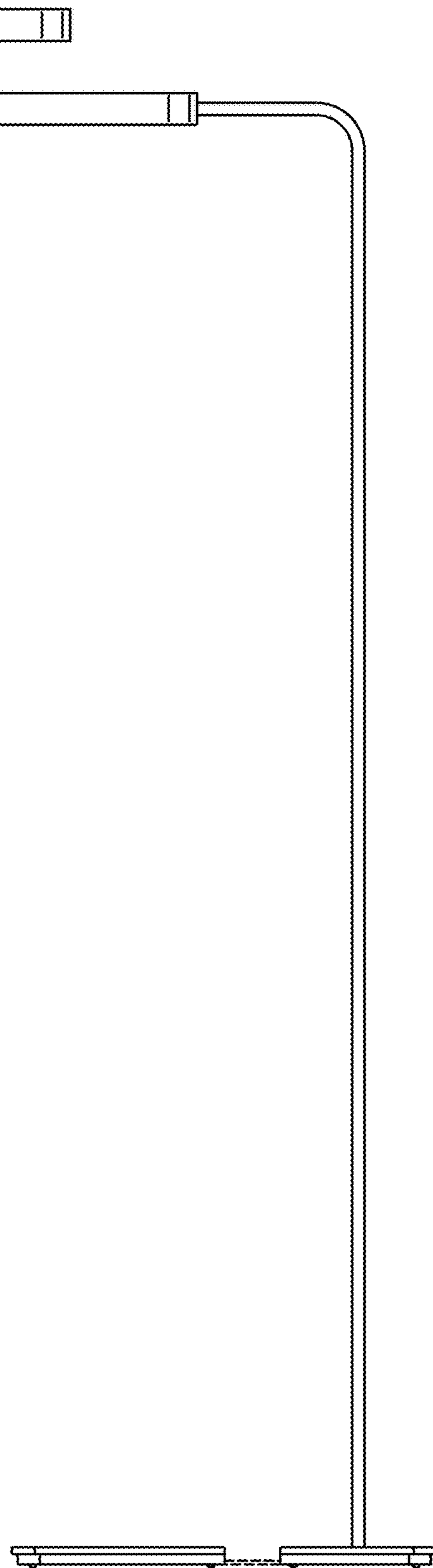


FIG. 8

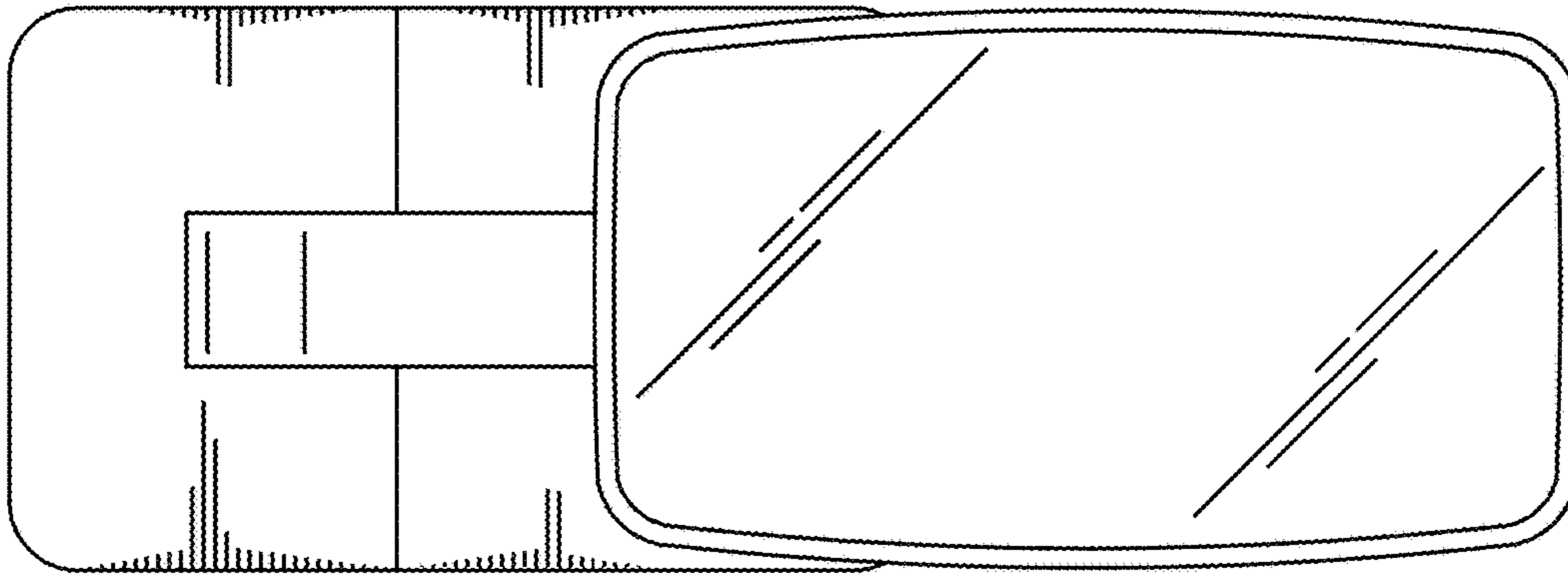


FIG. 9

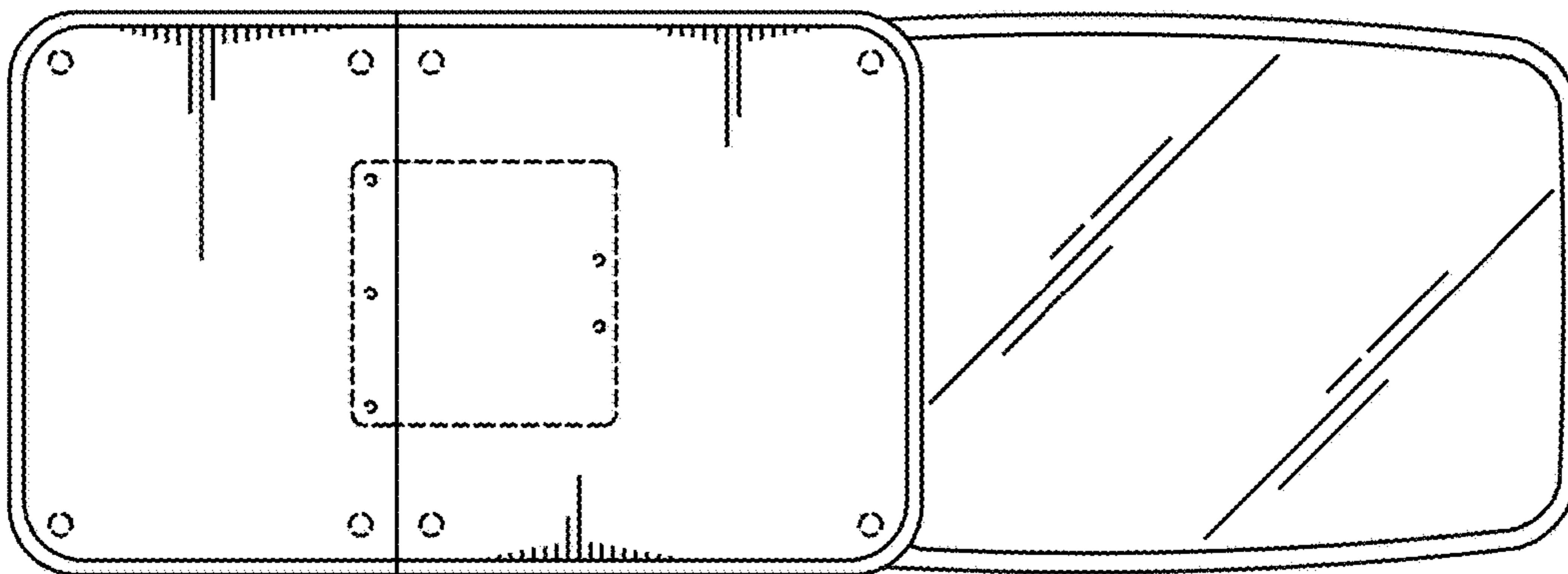


FIG. 10

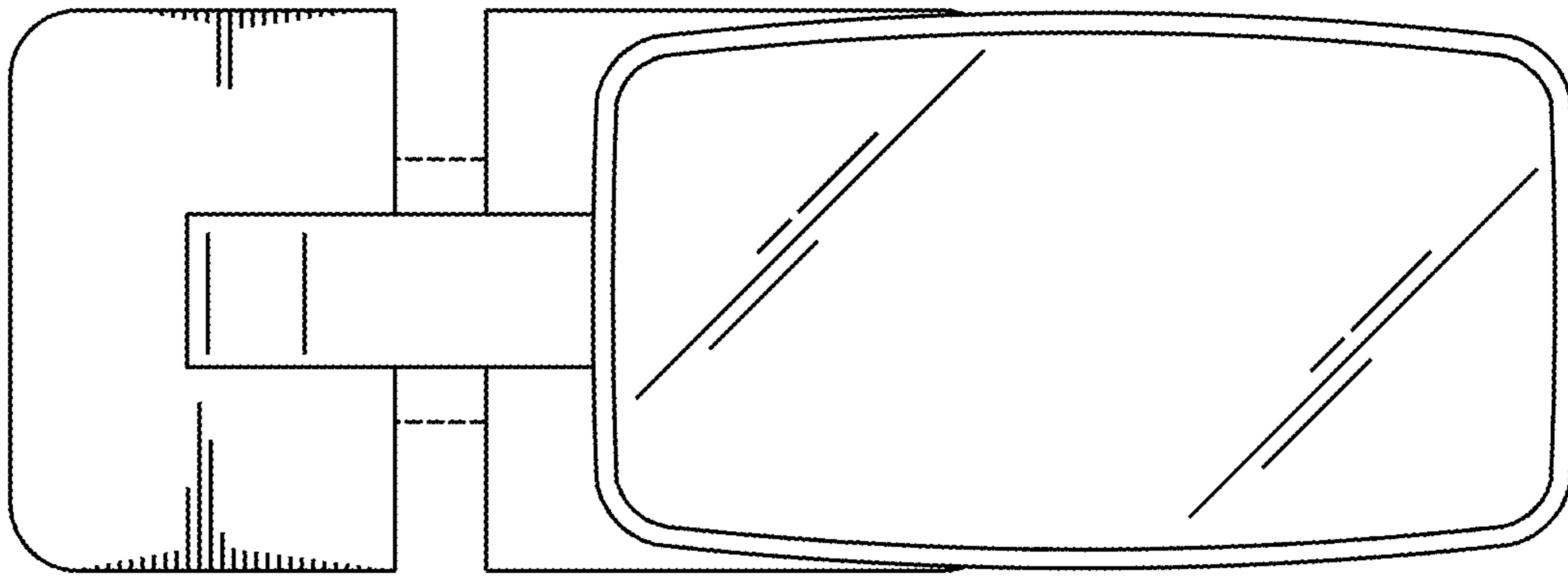


FIG. 11

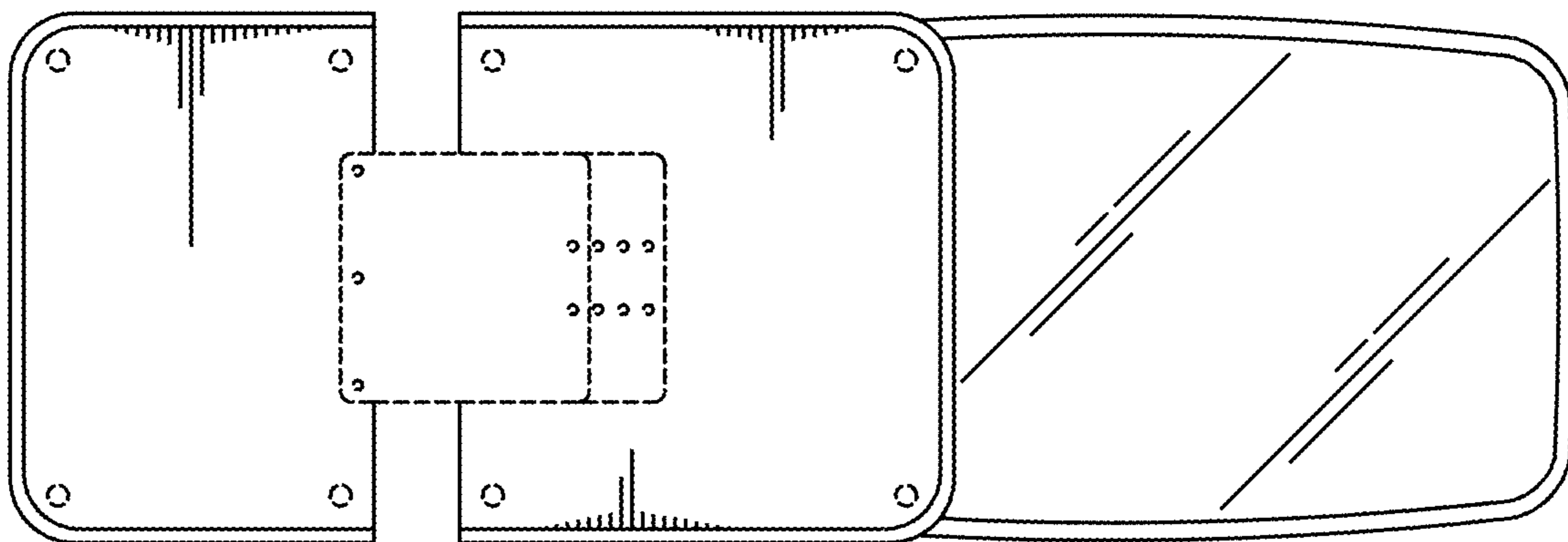


FIG. 12

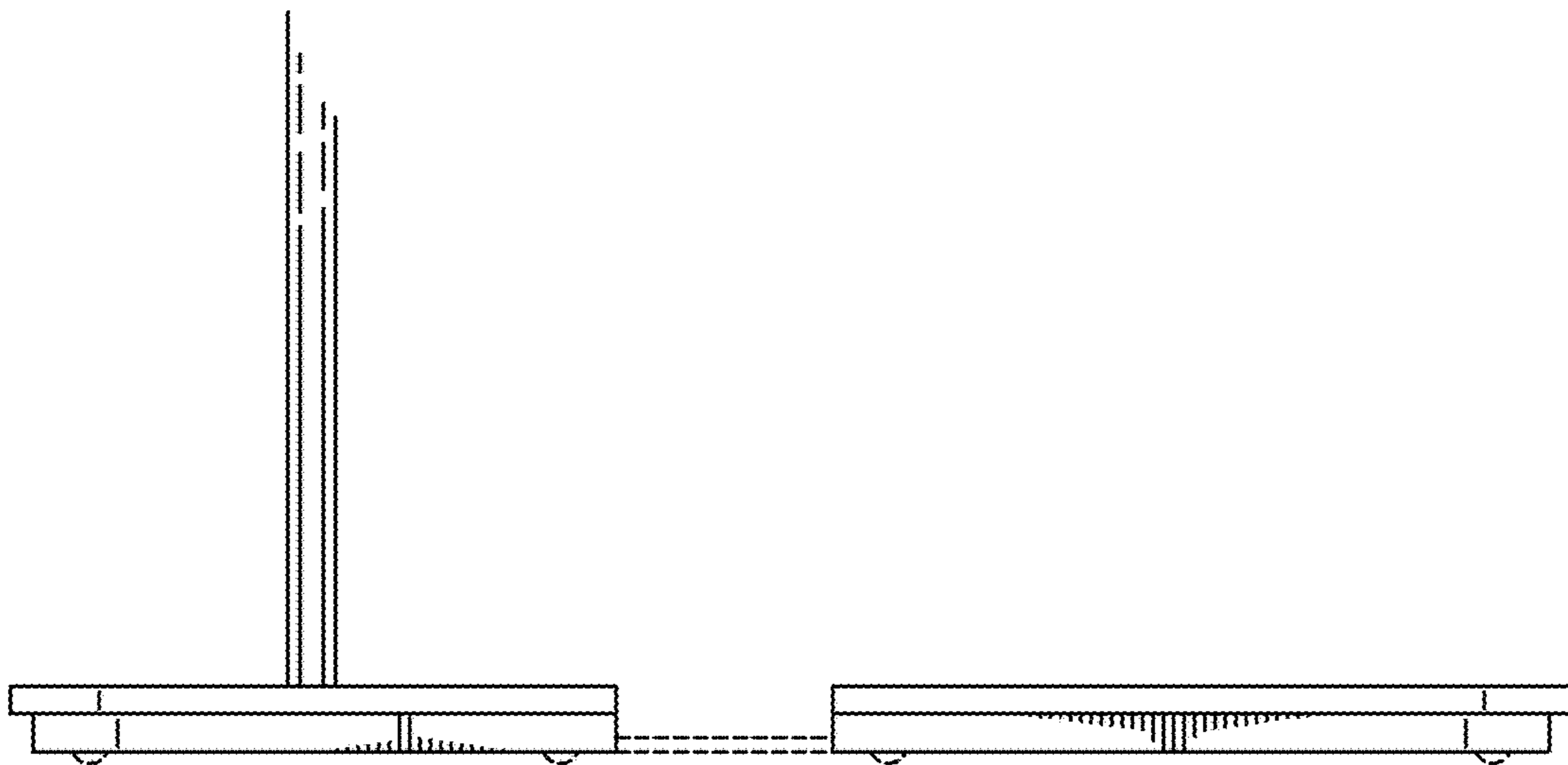


FIG. 13

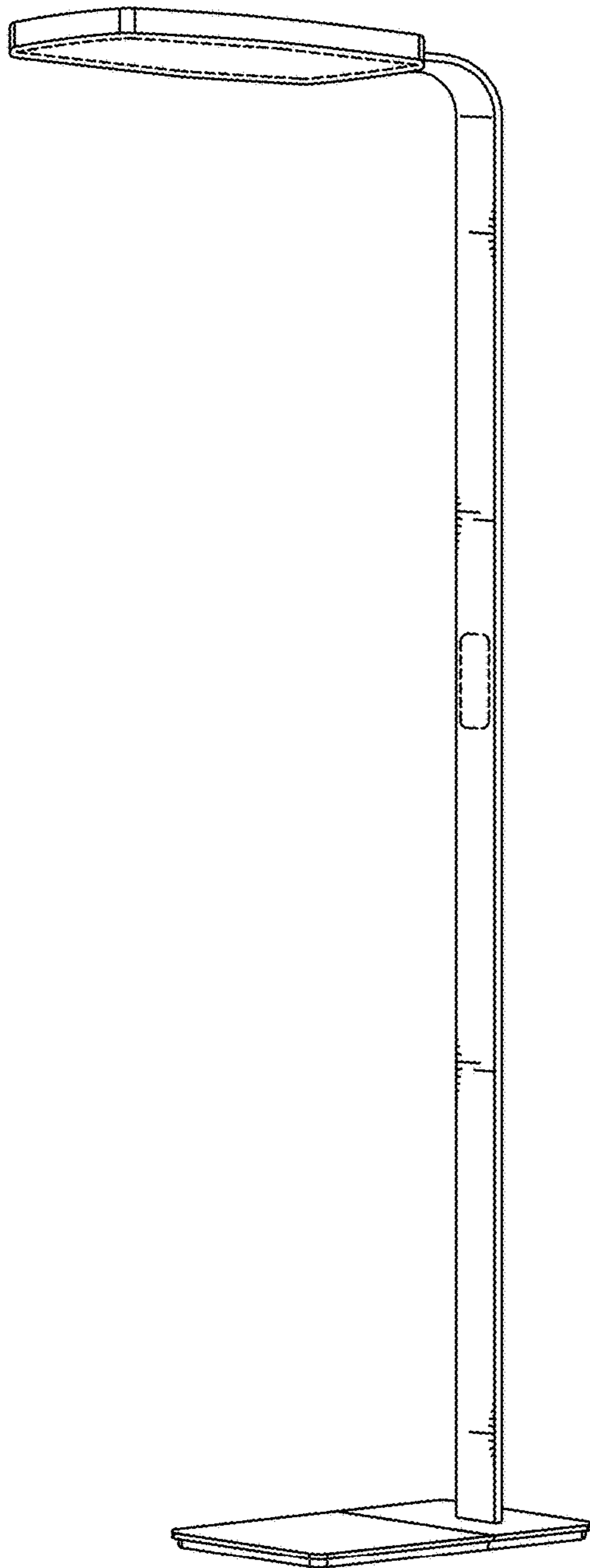


FIG. 14

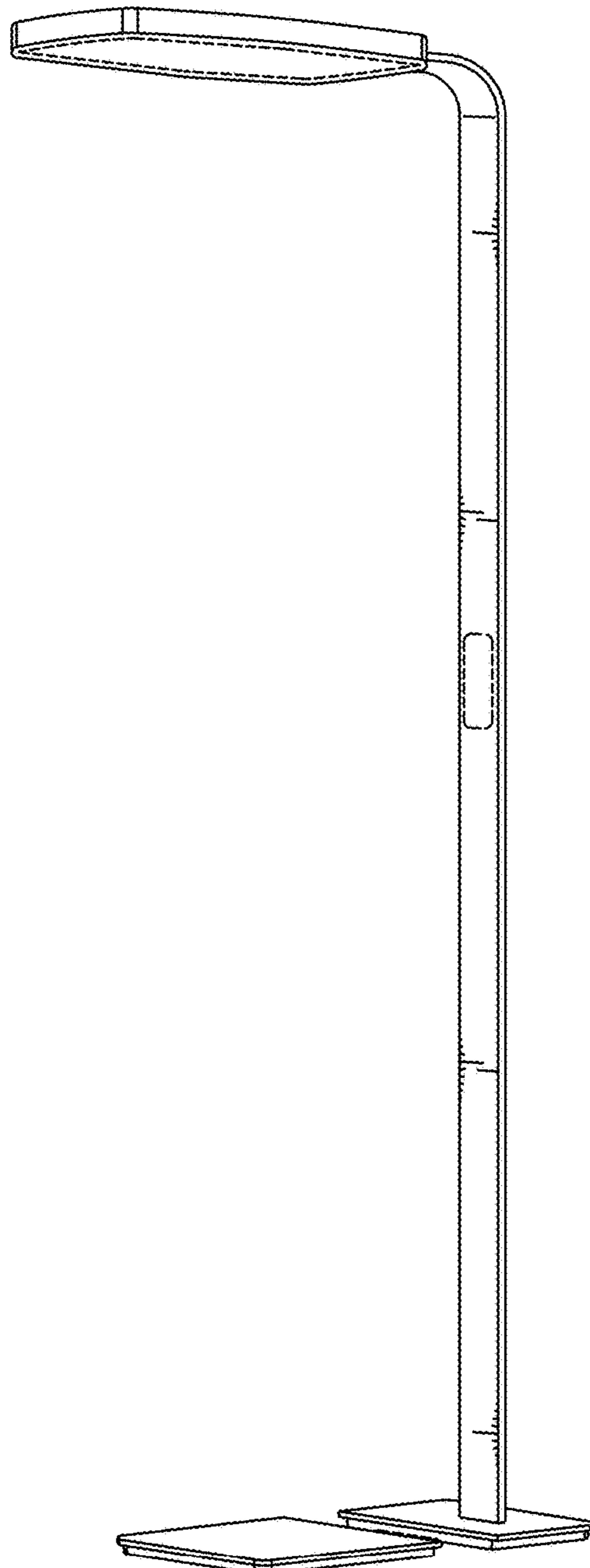


FIG. 15

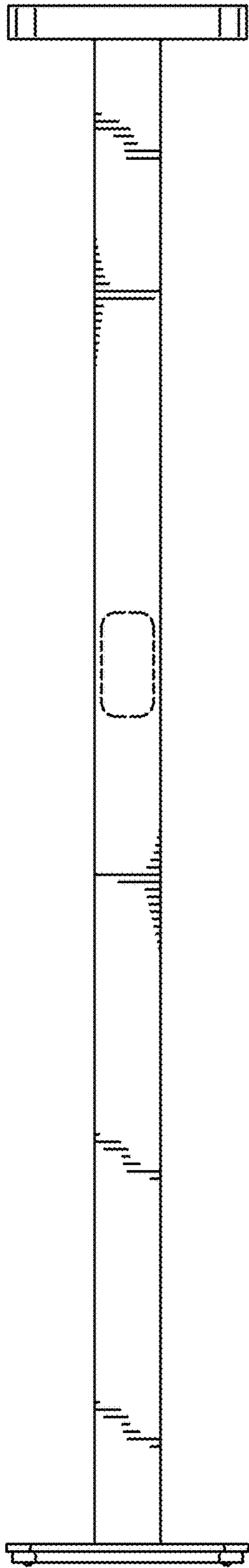


FIG. 16

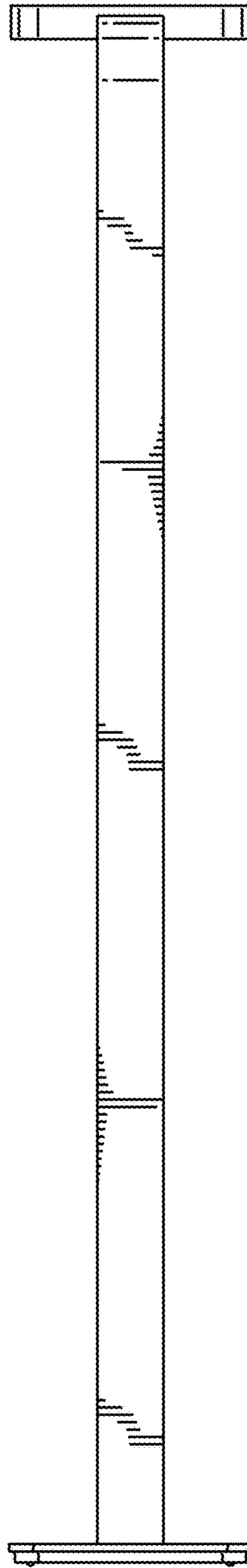


FIG. 17

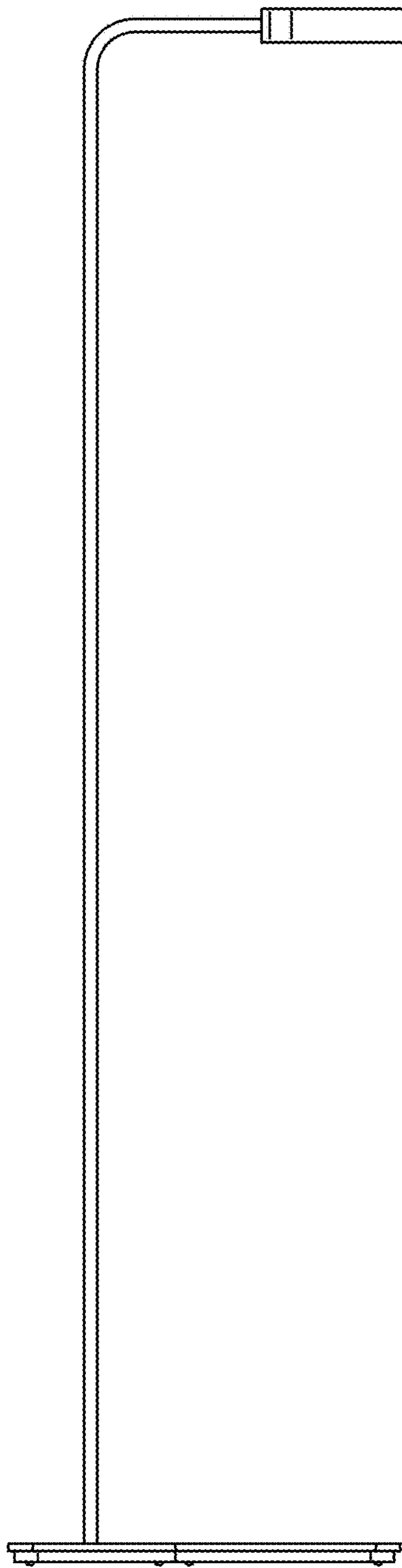


FIG. 18

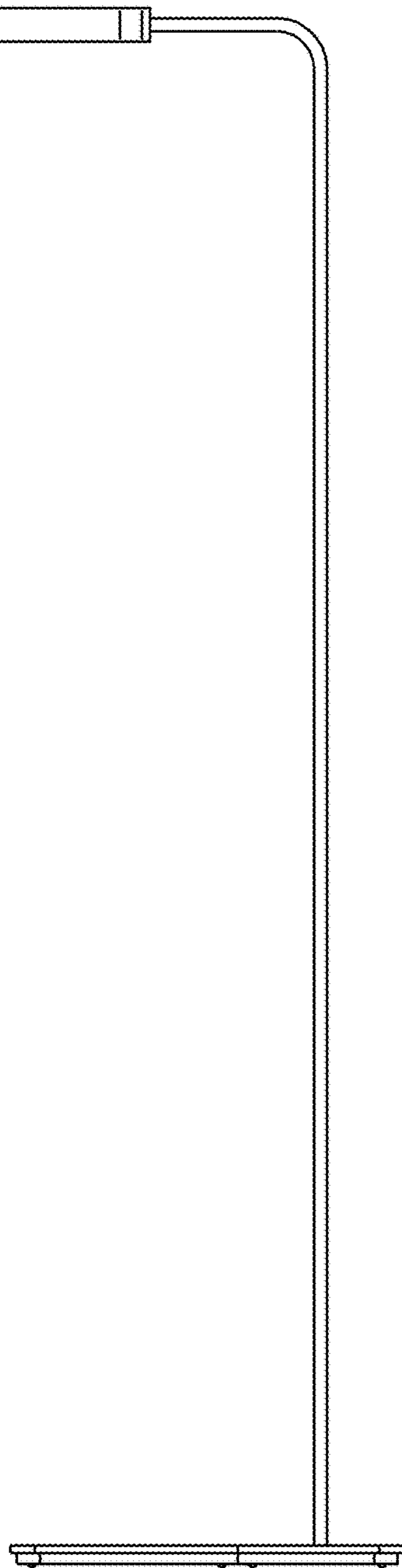


FIG. 19

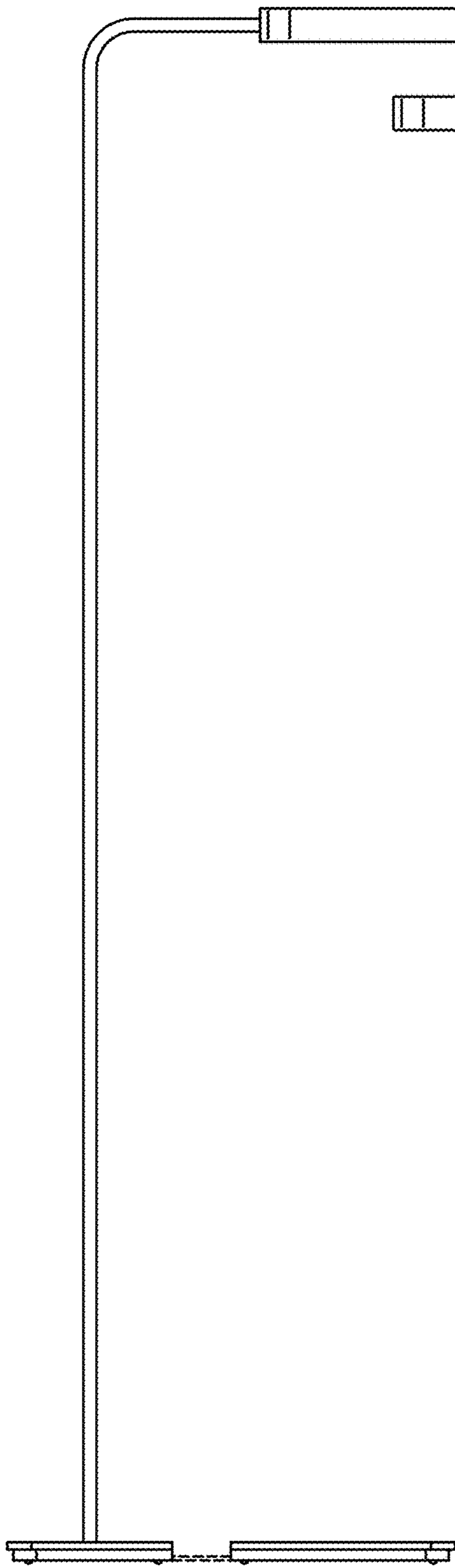


FIG. 20

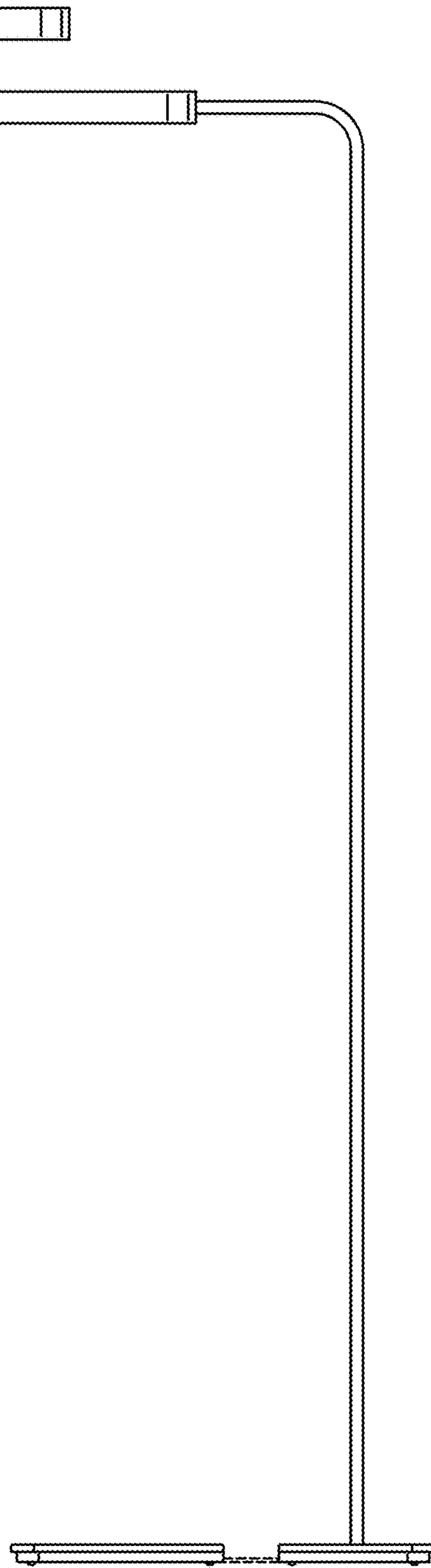


FIG. 21

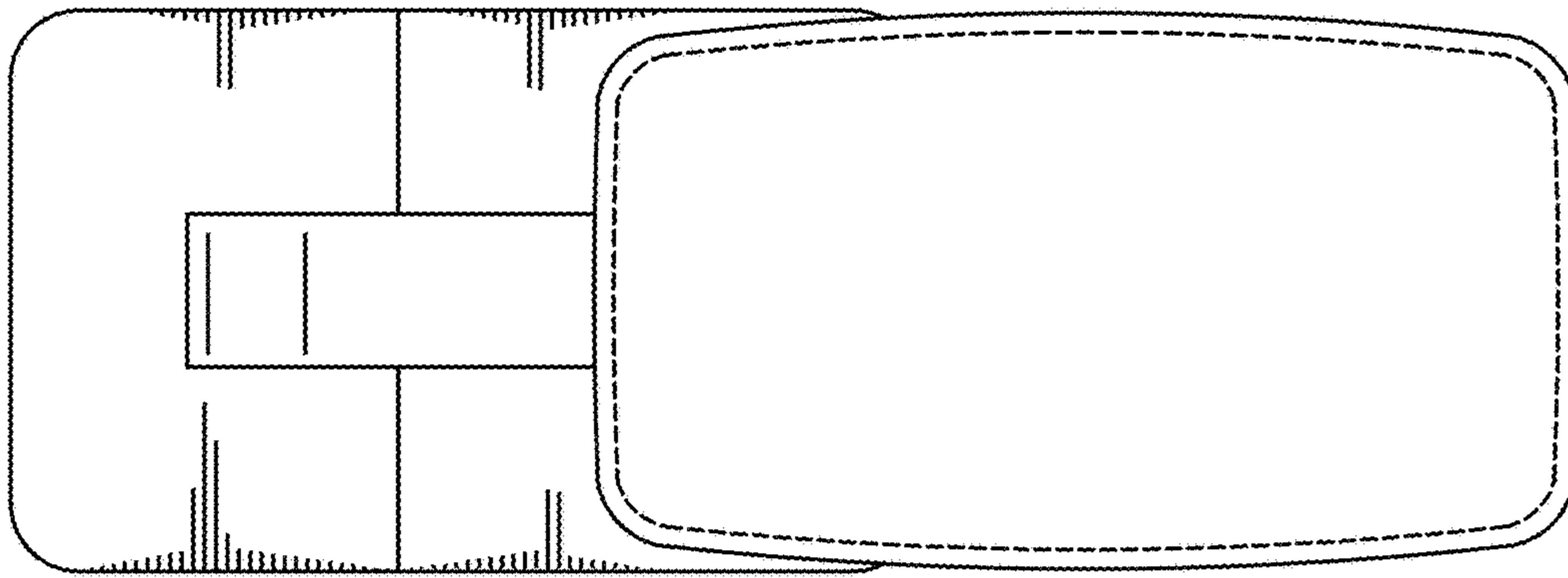


FIG. 22

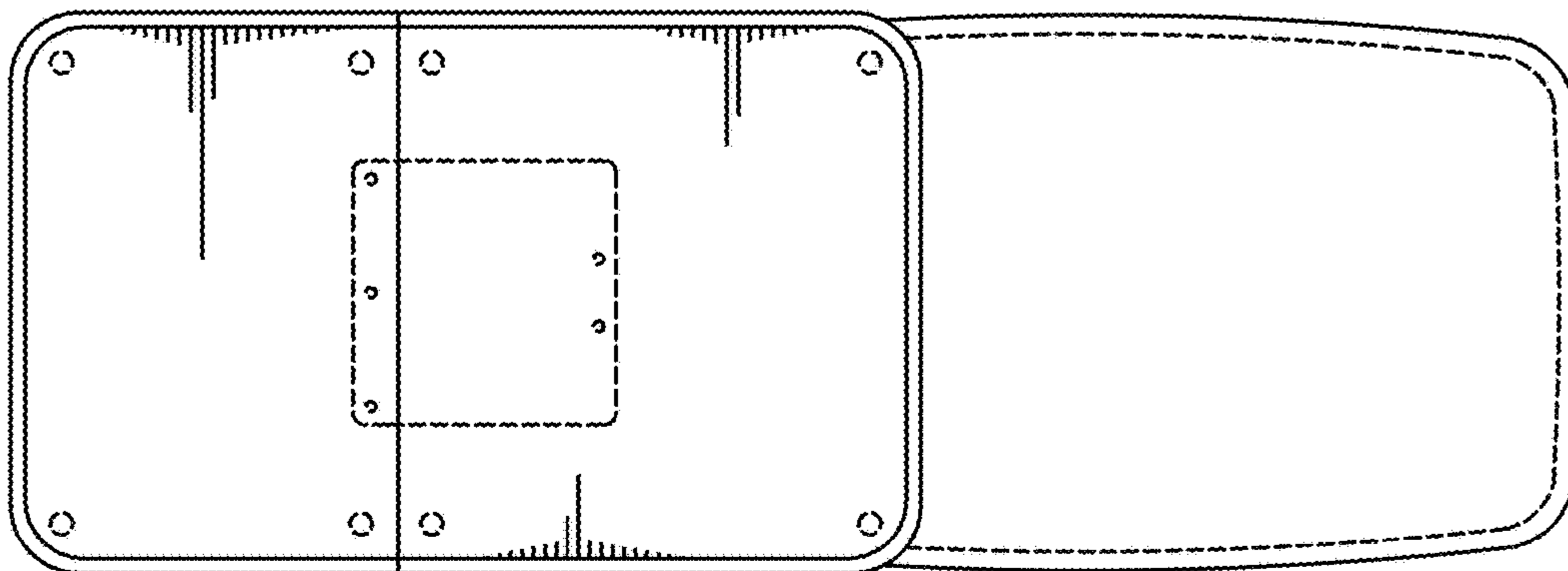


FIG. 23

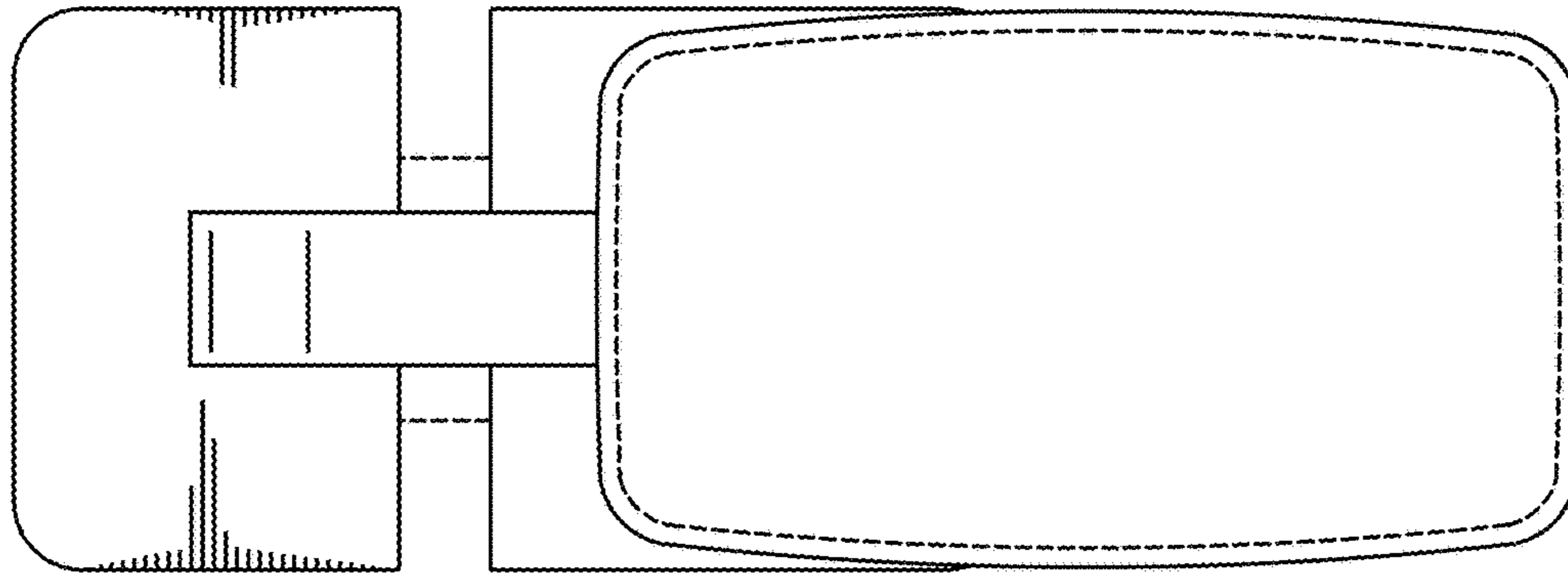


FIG. 24

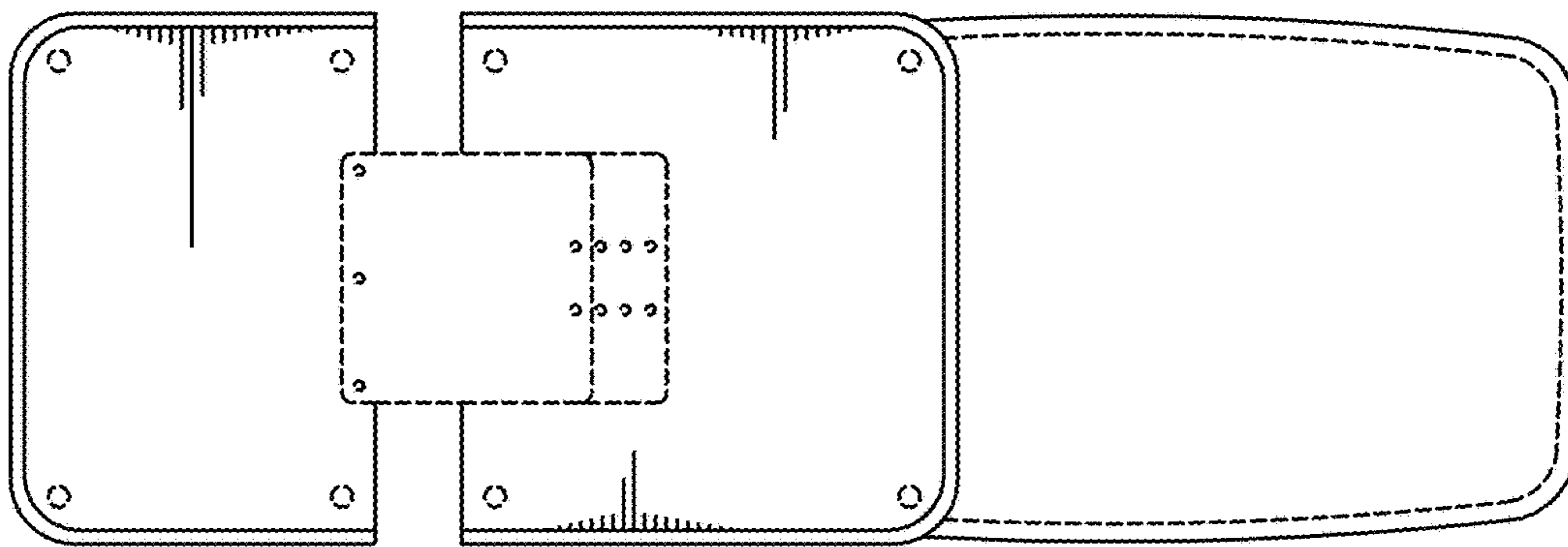


FIG. 25

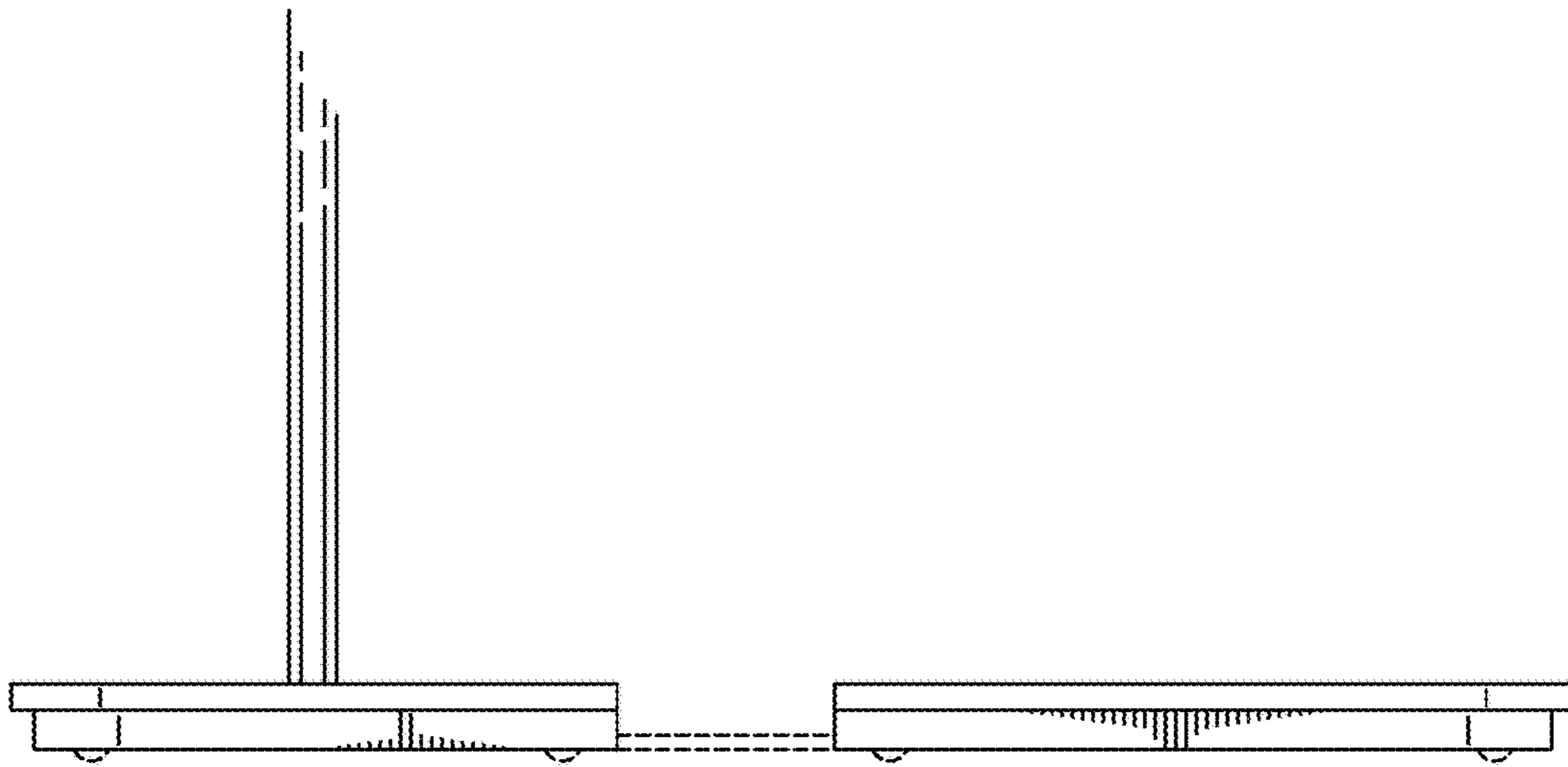


FIG. 26