



US00D800950S

(12) **United States Design Patent**  
**Xiang et al.**

(10) **Patent No.:** **US D800,950 S**

(45) **Date of Patent:** **\*\* Oct. 24, 2017**

(54) **MODULAR LED LIGHT HOUSING FOR POLE MOUNTING**

(71) Applicant: **MAXLITE, INC.**, West Caldwell, NJ (US)

(72) Inventors: **Jun Xiang**, Parsippany, NJ (US);  
**Francisco J. Garza**, Tamiment, PA (US)

(73) Assignee: **MaxLite, Inc.**, West Caldwell, NJ (US)

(\*\*) Term: **15 Years**

(21) Appl. No.: **29/547,119**

(22) Filed: **Dec. 1, 2015**

(51) **LOC (10) Cl.** ..... **D26-03**

(52) **U.S. Cl.**  
USPC ..... **D26/92; D26/71**

(58) **Field of Classification Search**  
USPC ..... D26/63, 71, 72, 80, 83, 92, 118, 142  
CPC ..... F21S 8/04; F21S 8/03; F21S 8/033; F21S 8/036; F21S 8/043; F21S 8/046; F21S 8/086; F21V 21/02; F21V 21/08; F21V 21/26; F21V 21/30; F21V 17/168  
See application file for complete search history.

(56) **References Cited**

**U.S. PATENT DOCUMENTS**

5,918,970	A *	7/1999	Brohard	.....	F21S 8/086 362/370
D568,521	S *	5/2008	Compton	.....	D26/71
D569,540	S *	5/2008	Bourgeois	.....	D26/71
D570,534	S *	6/2008	Wilcox	.....	D26/142
D609,384	S *	2/2010	Gray	.....	D26/71
D616,145	S *	5/2010	Boissevain	.....	D26/142
D632,000	S *	2/2011	Little, Jr.	.....	D26/71
D646,420	S *	10/2011	Chen	.....	D26/71
D680,259	S *	4/2013	Ahrari	.....	D26/92
8,960,971	B1 *	2/2015	Newton	.....	F21V 15/01 362/217.16
D742,577	S *	11/2015	Duckworth	.....	D26/92

D773,096	S *	11/2016	Zhu	.....	D26/71
2008/0080196	A1 *	4/2008	Ruud	.....	F21S 2/005 362/373
2009/0251898	A1 *	10/2009	Kinnune	.....	F21V 29/004 362/249.02
2010/0097815	A1 *	4/2010	Song	.....	F21S 8/086 362/418

(Continued)

**OTHER PUBLICATIONS**

Maxlite QuadroMAX LED Fixture, online spec sheet dated Oct. 26, 2016. (8 pages).\*

*Primary Examiner* — Clare E Heflin

(74) *Attorney, Agent, or Firm* — Budzyn IP Law, LLC

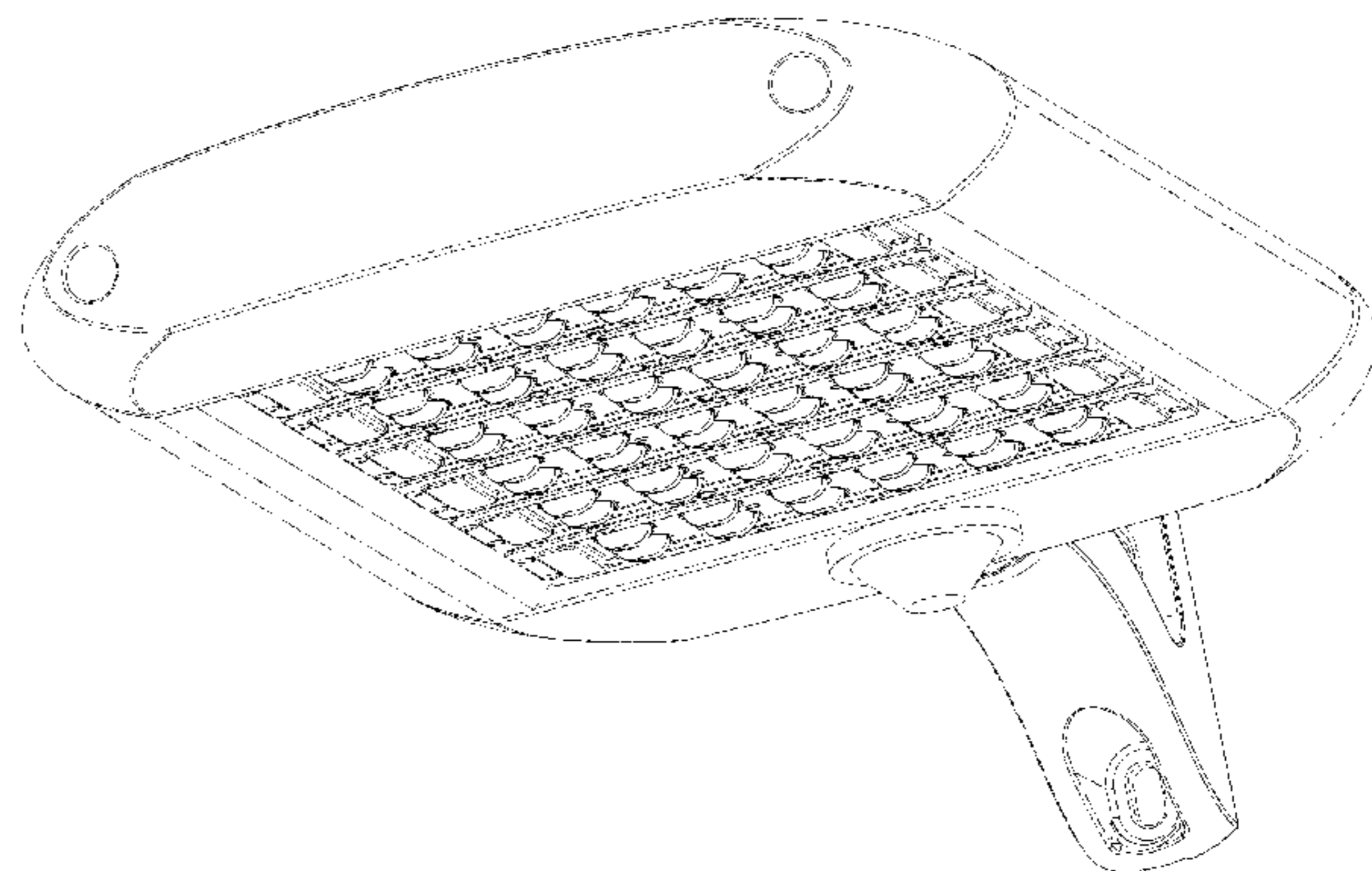
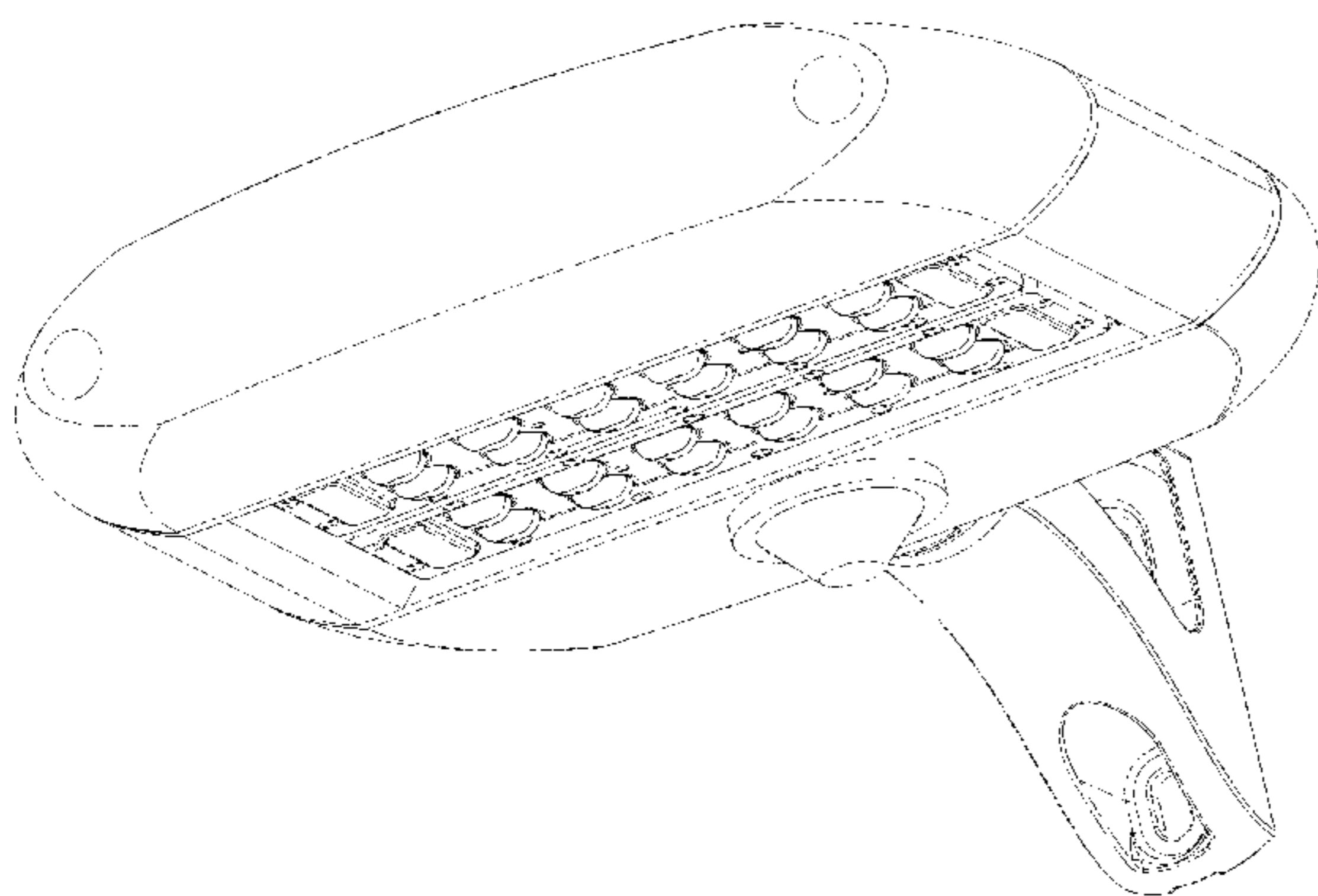
(57) **CLAIM**

The ornamental design for a modular LED light housing for pole mounting, as shown and described.

**DESCRIPTION**

FIG. 1 is a perspective view of a first embodiment of a modular LED light housing for pole mounting; FIG. 2 is a front elevational view thereof; FIG. 3 is a rear elevational view thereof; FIG. 4 is a left elevational view thereof, a right elevational view being a mirror image thereof; FIG. 5 is a top plan view thereof; and, FIG. 6 is a bottom plan view thereof; FIG. 7 is a perspective view of a second embodiment of a modular LED light housing for pole mounting; FIG. 8 is a front elevational view thereof; FIG. 9 is a rear elevational view thereof; FIG. 10 is a left elevational view thereof, the right elevational view being a mirror image thereof; and, FIG. 11 is a top plan view thereof; and, FIG. 12 is a bottom plan view thereof.

**1 Claim, 12 Drawing Sheets**



(56)

**References Cited**

U.S. PATENT DOCUMENTS

2010/0103668	A1 *	4/2010	Lueken .....	F21S 8/086 362/234
2010/0135008	A1 *	6/2010	Teng .....	F21S 8/086 362/227
2010/0238671	A1 *	9/2010	Catone .....	F21S 8/086 362/373
2011/0013392	A1 *	1/2011	Little, Jr. ....	F21S 8/086 362/235
2012/0087118	A1 *	4/2012	Bailey .....	F21V 29/745 362/235
2013/0107528	A1 *	5/2013	Boyer .....	F21V 29/004 362/243
2014/0218944	A1 *	8/2014	Hobson .....	F21V 15/013 362/418
2014/0247603	A1 *	9/2014	Cruz .....	F21S 8/033 362/311.01
2014/0254179	A1 *	9/2014	Miletich .....	F21V 29/22 362/373
2015/0124449	A1 *	5/2015	Wilcox .....	F21K 9/50 362/244
2016/0281967	A1 *	9/2016	Hunt, III .....	F21V 21/116
2017/0016601	A1 *	1/2017	Pouladian .....	F21V 21/116
2017/0030570	A1 *	2/2017	Yang .....	F21V 29/763

\* cited by examiner

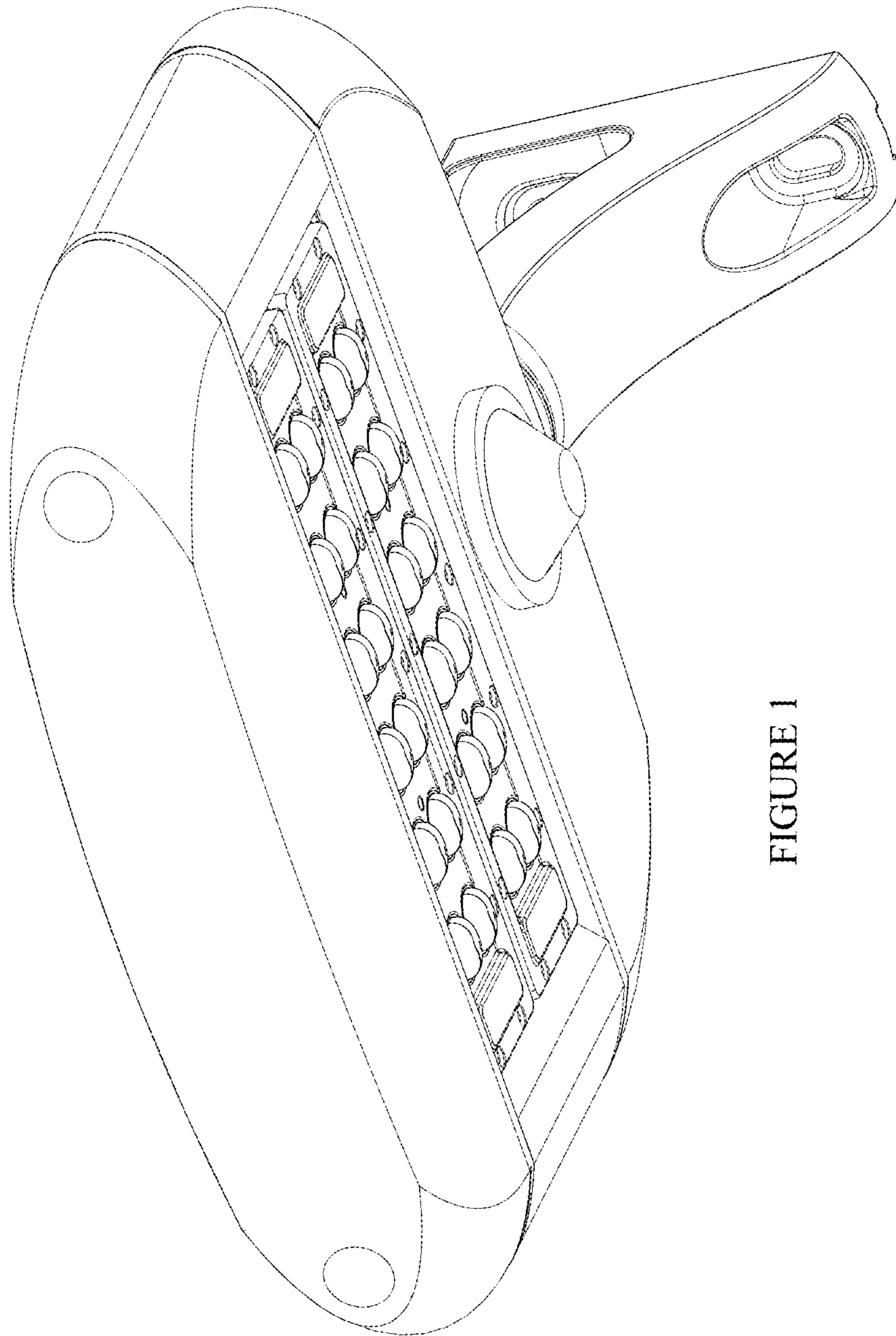


FIGURE 1

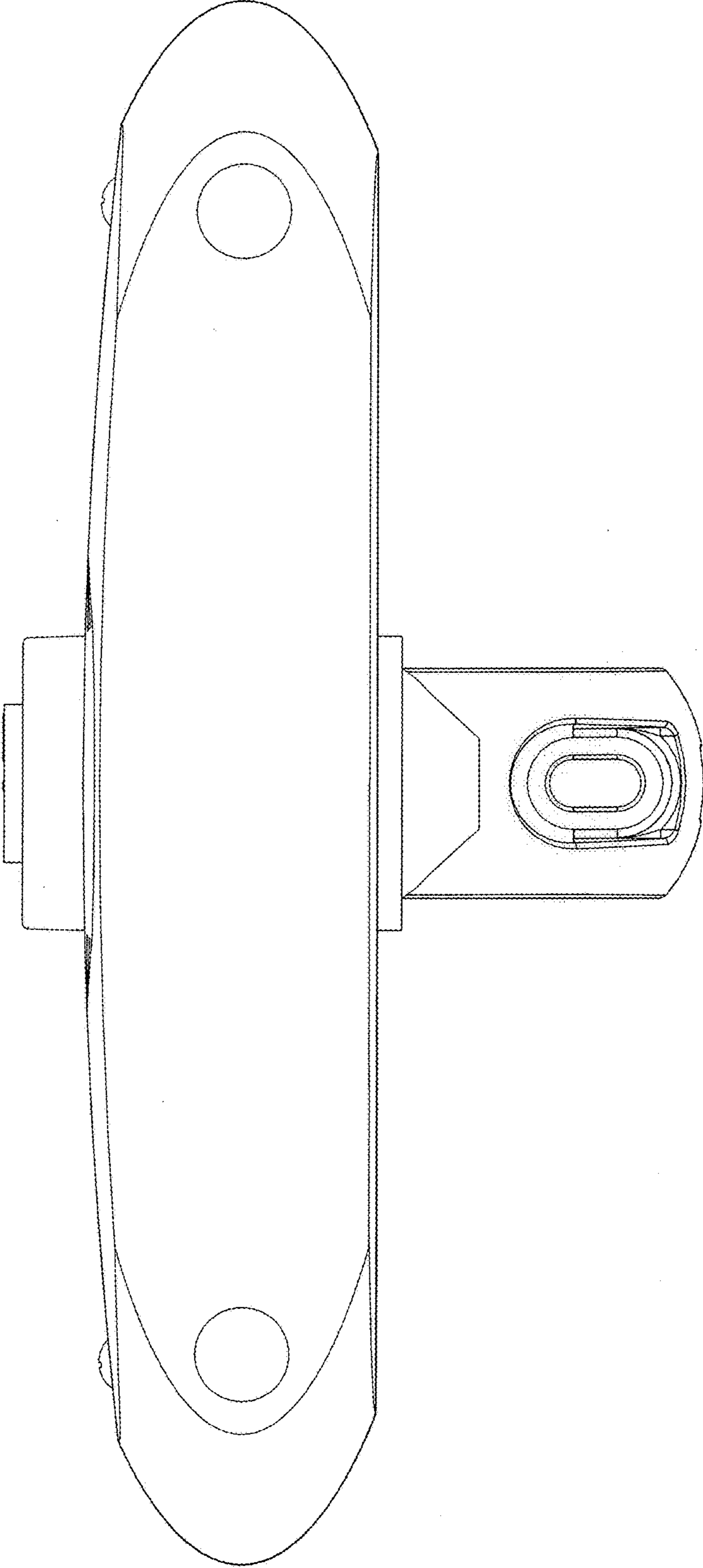


FIGURE 2

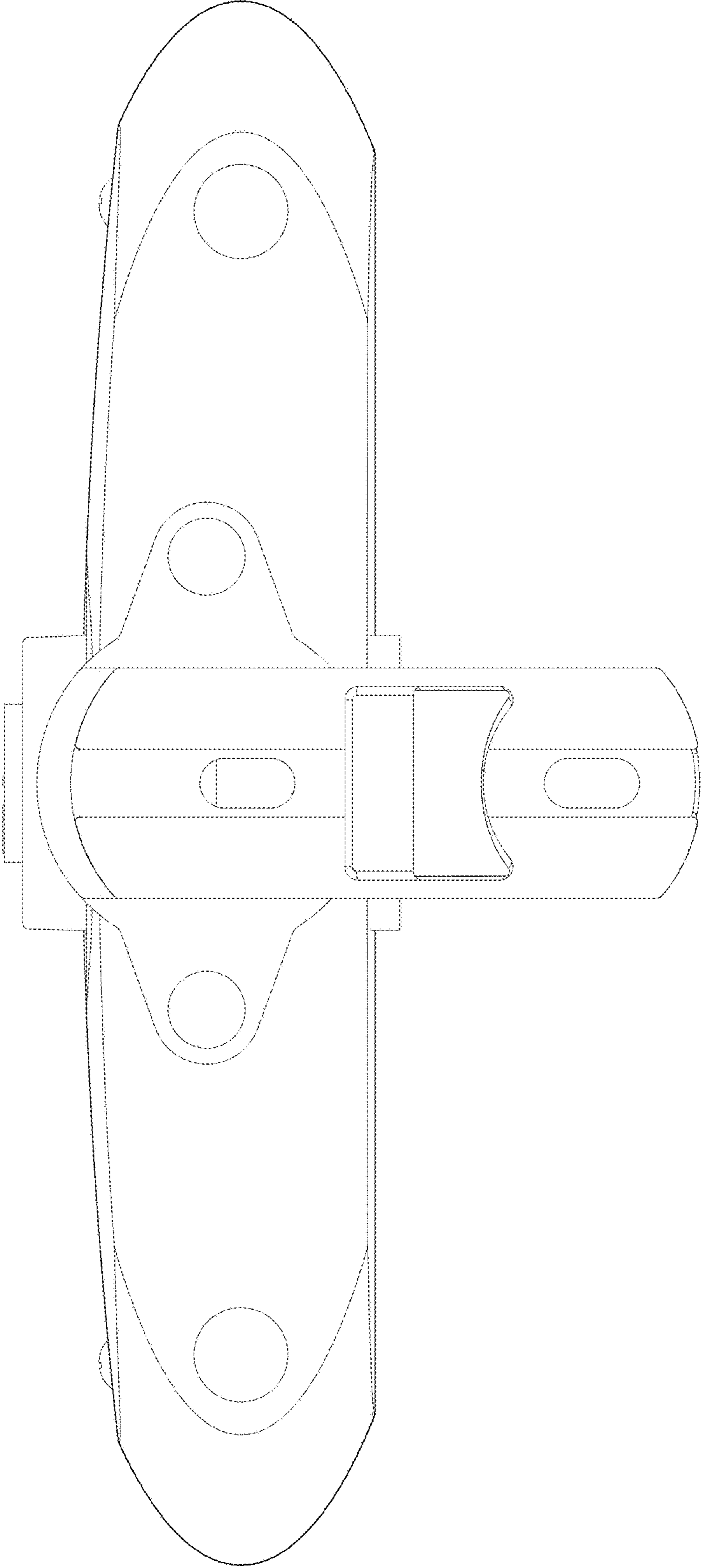


FIGURE 3

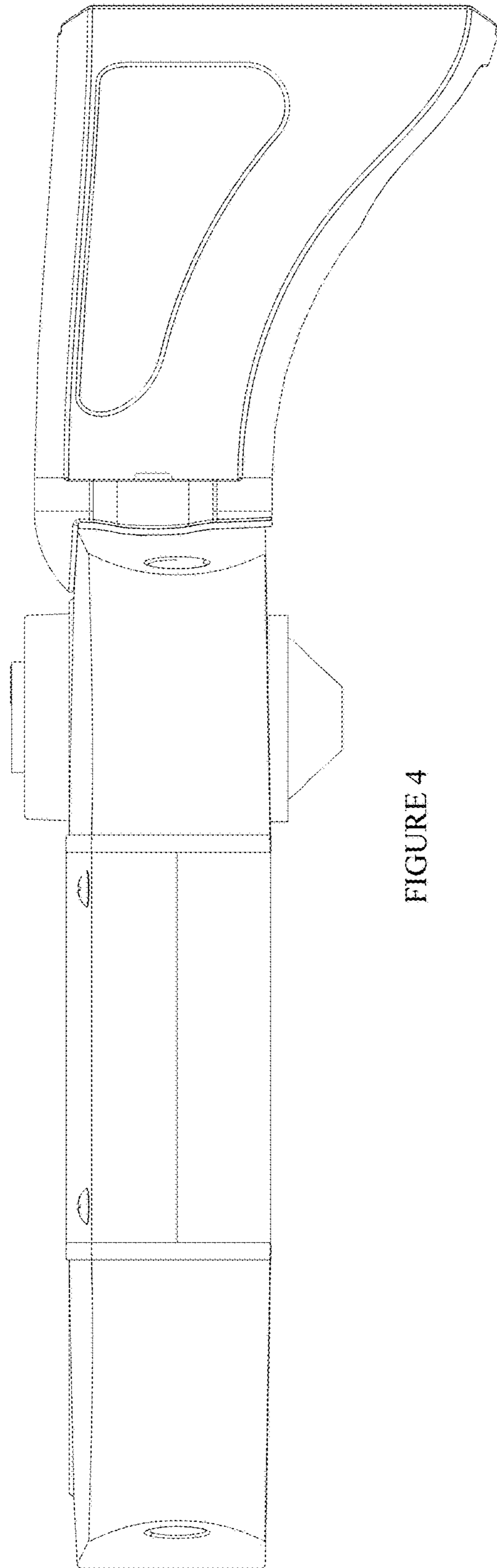


FIGURE 4

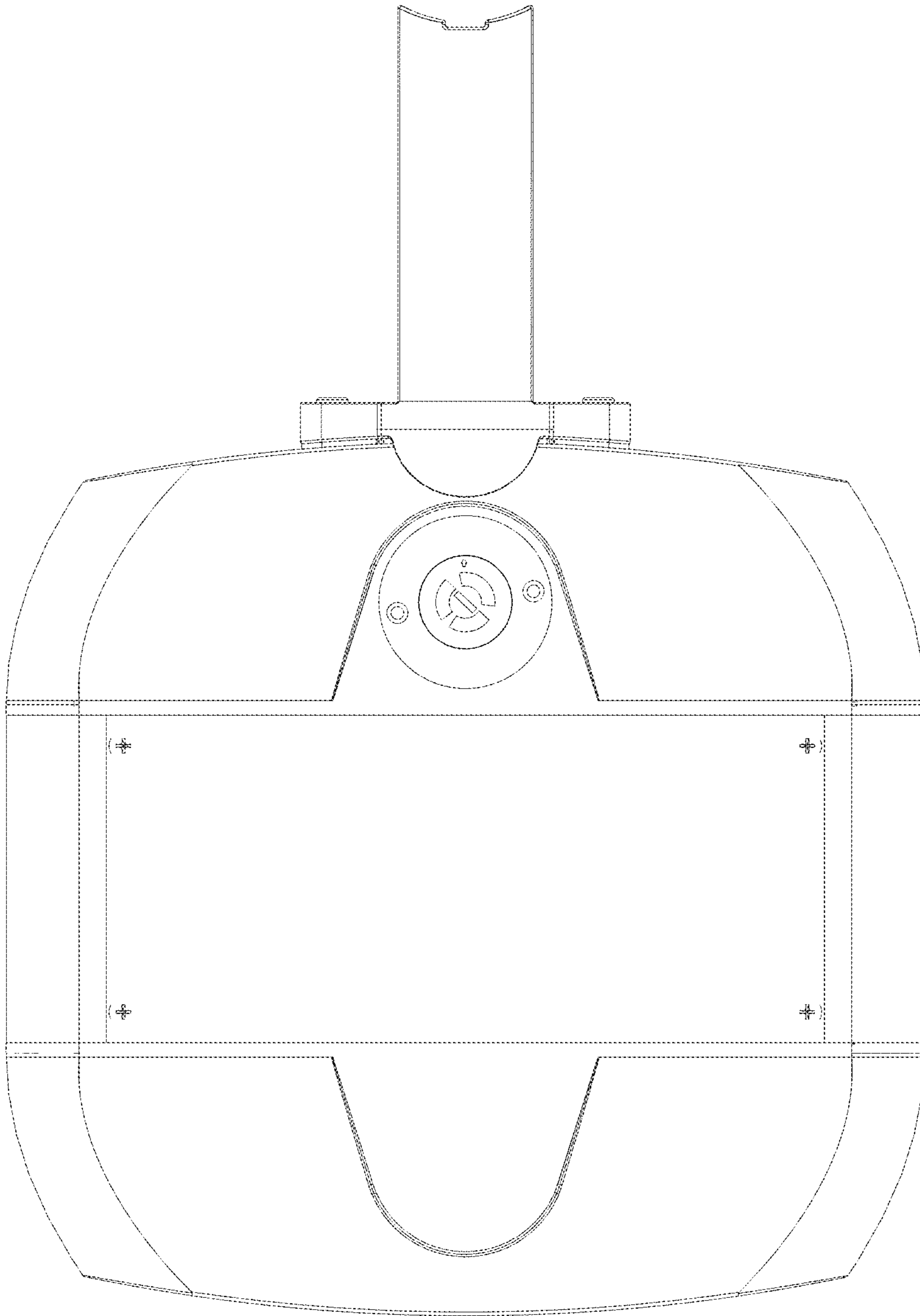


FIGURE 5

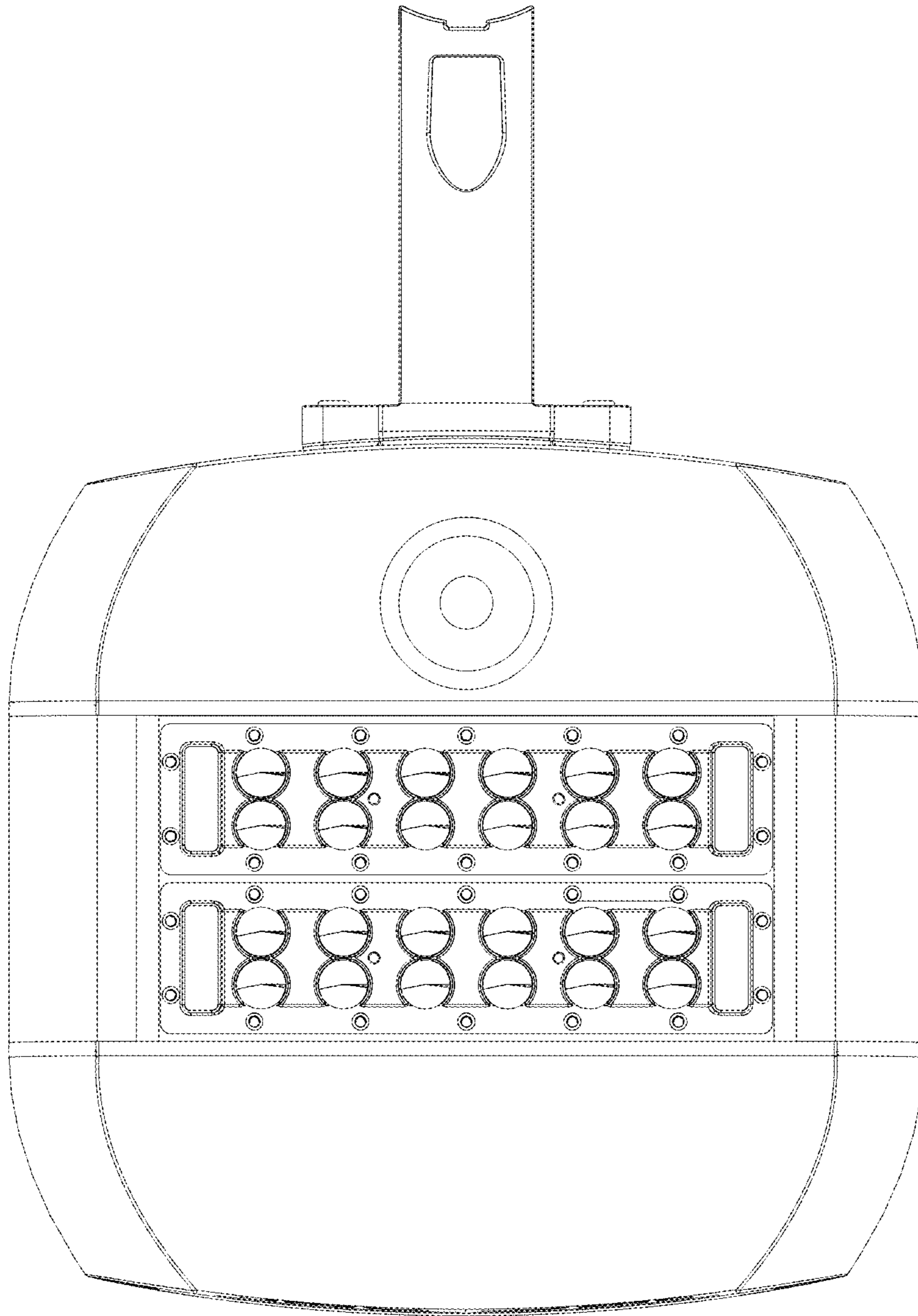


FIGURE 6



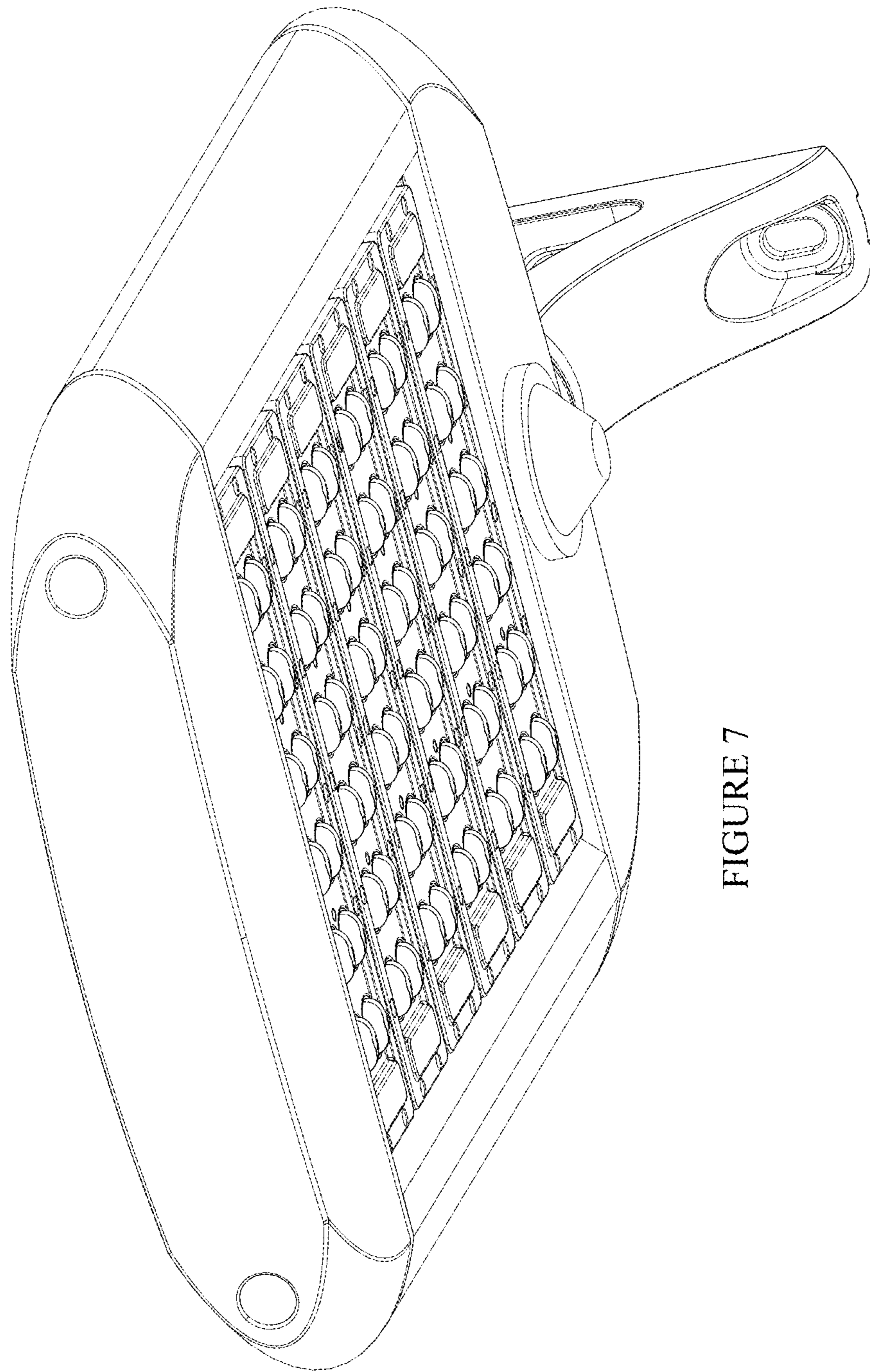


FIGURE 7

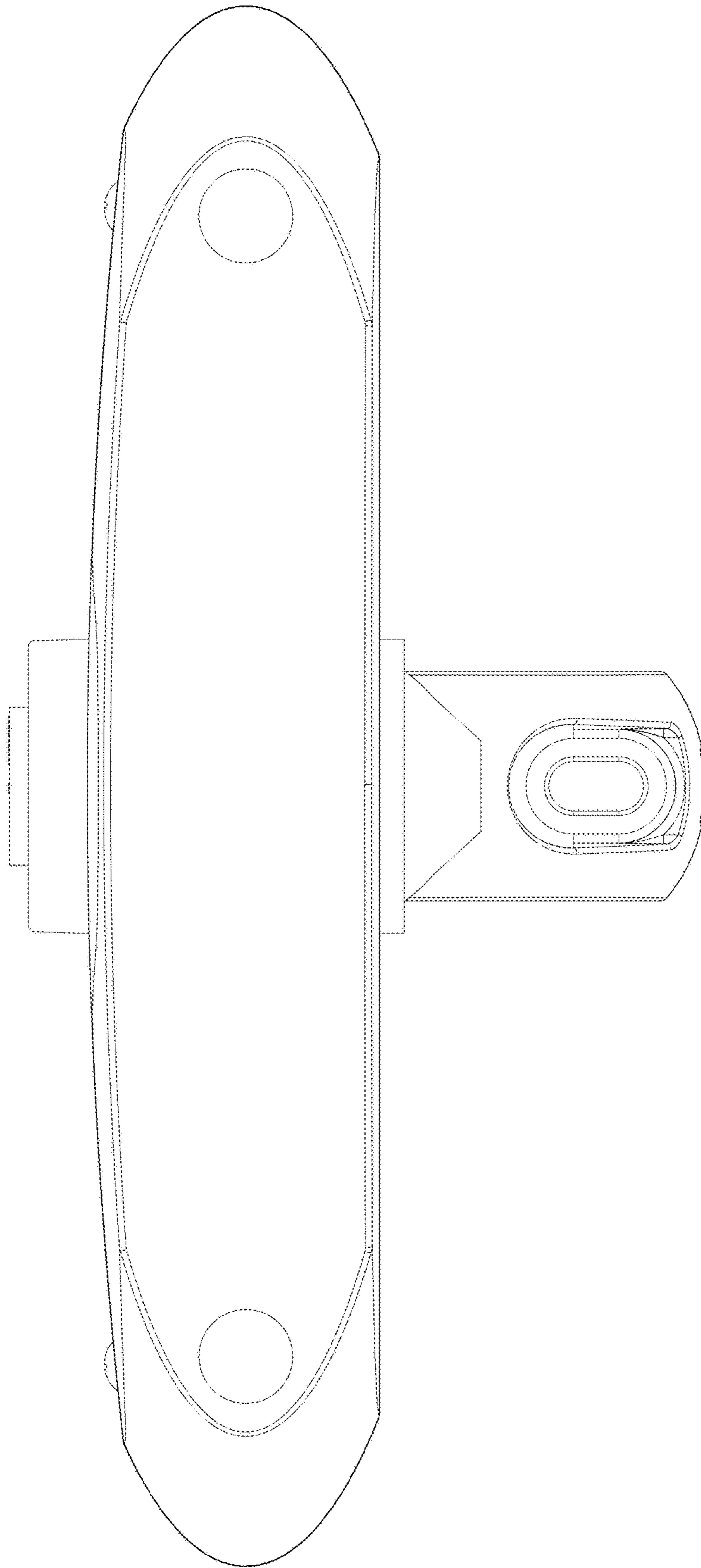


FIGURE 8

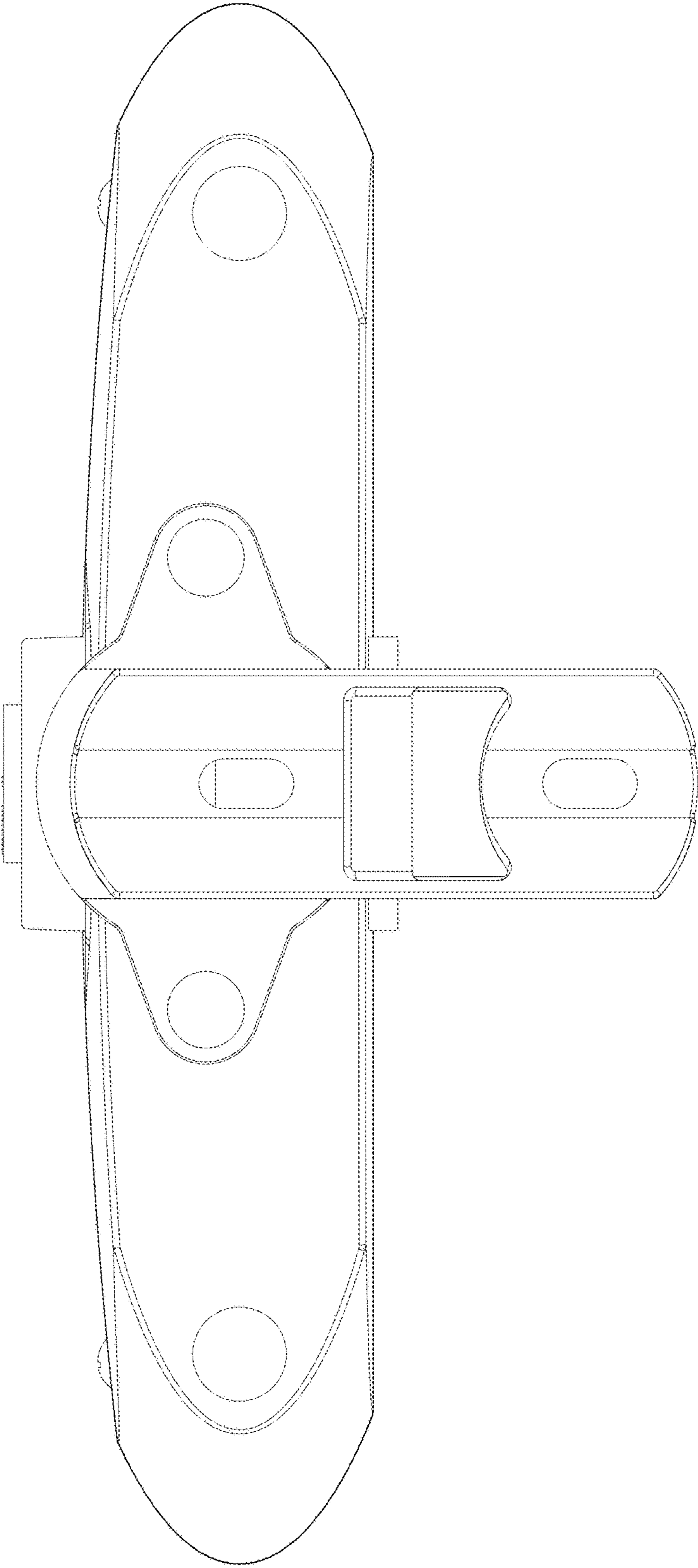


FIGURE 9

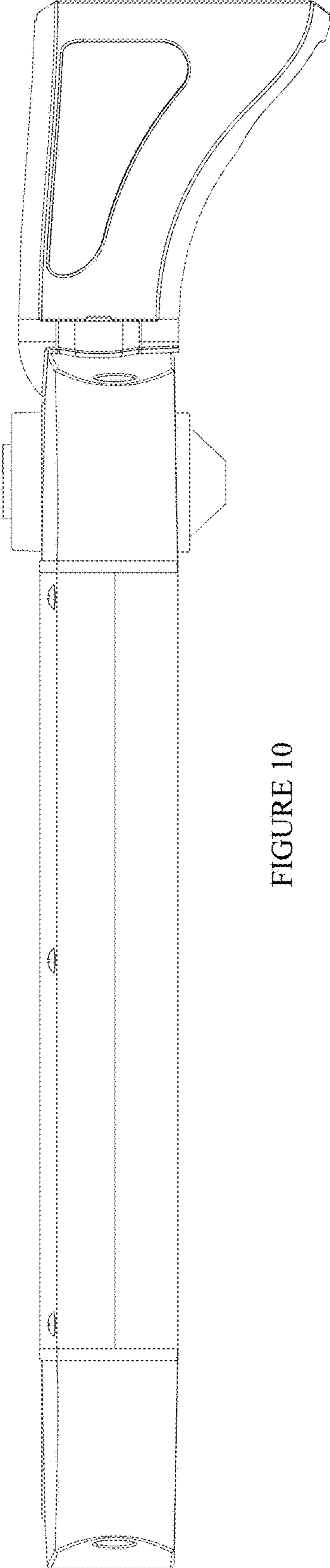


FIGURE 10

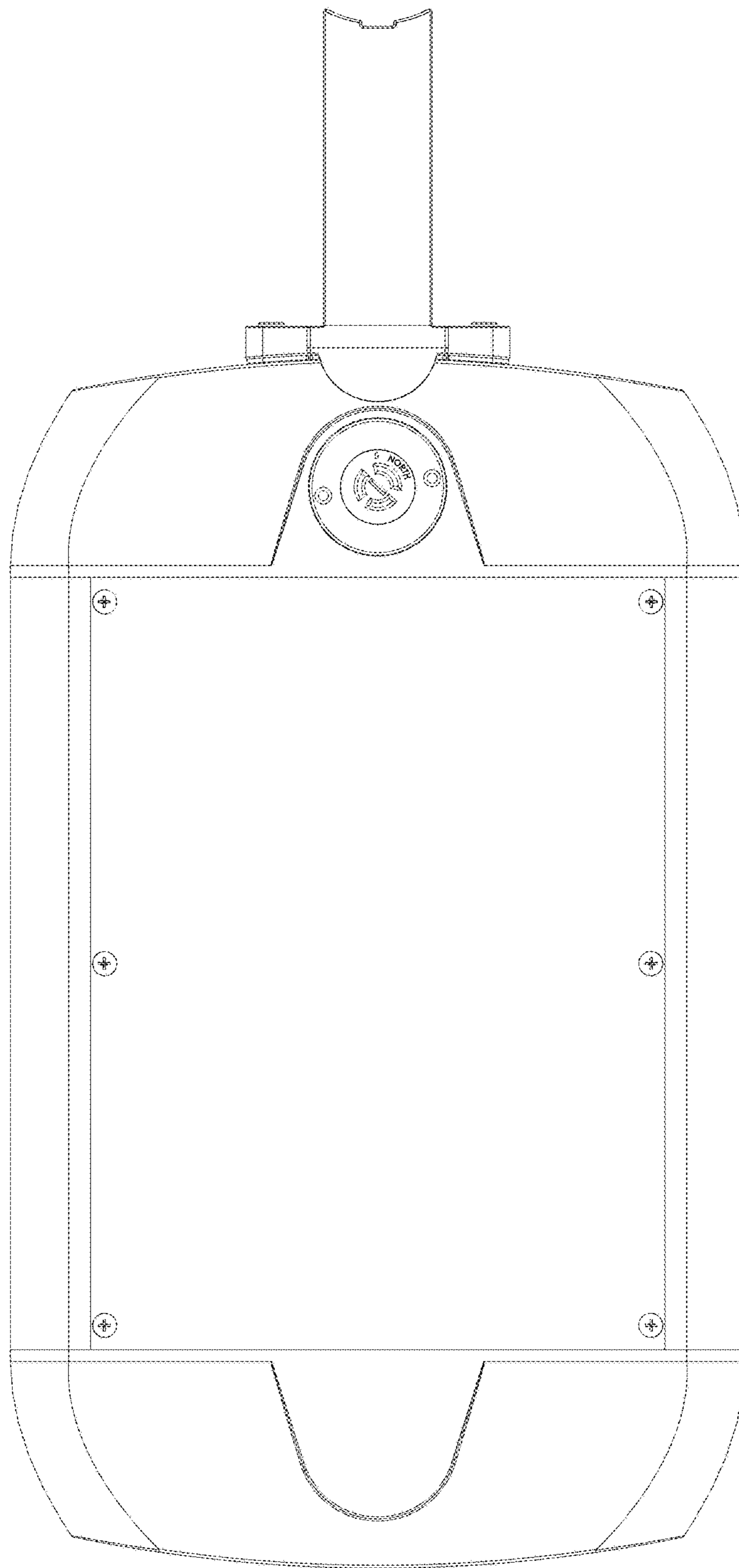


FIGURE 11

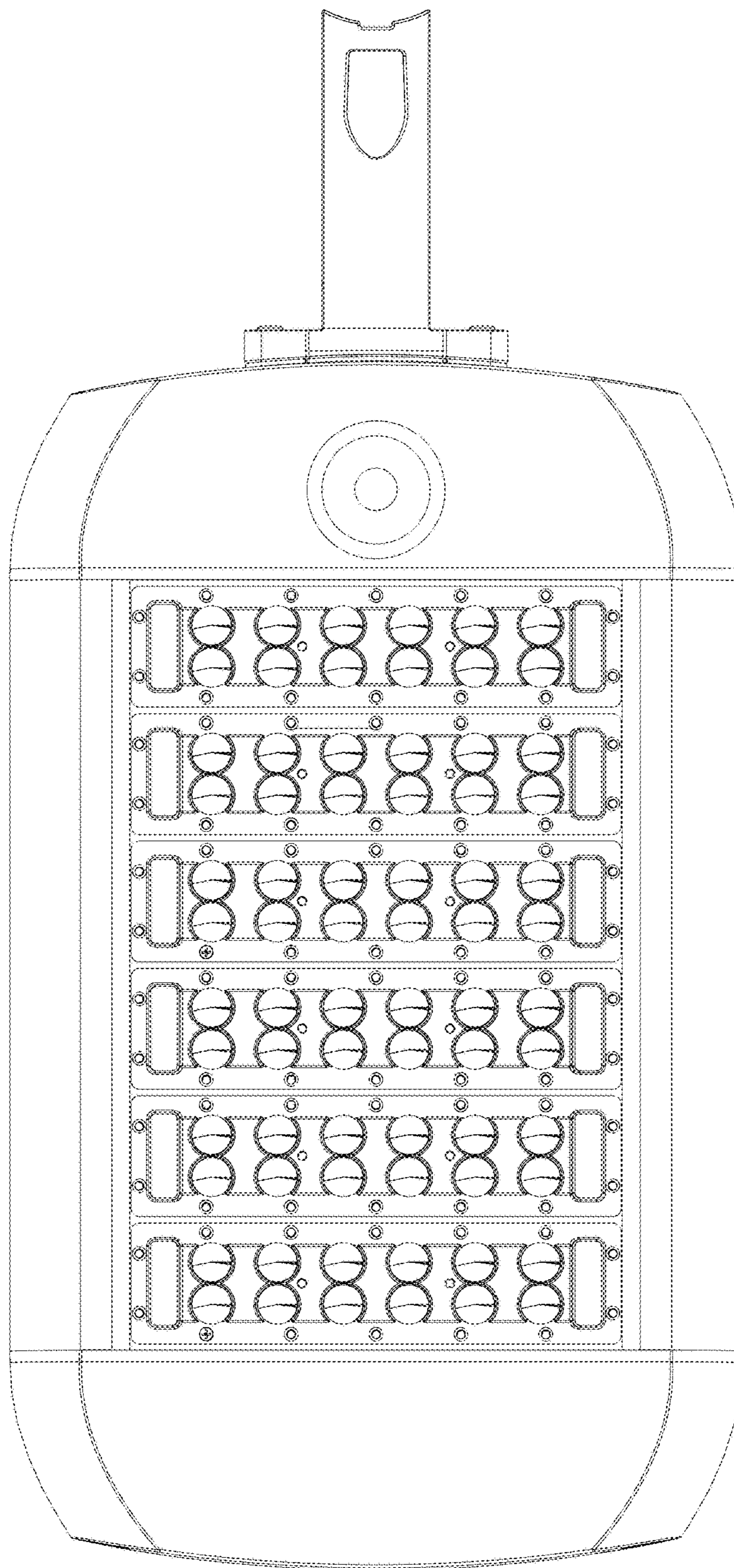


FIGURE 12