



US00D800948S

(12) **United States Design Patent** (10) **Patent No.:** **US D800,948 S**
Xiang et al. (45) **Date of Patent:** **** Oct. 24, 2017**

(54) **MODULAR LED LIGHT HOUSING FOR RIGID SURFACE MOUNTING**

(71) Applicant: **MAXLITE, INC.**, West Caldwell, NJ (US)

(72) Inventors: **Jun Xiang**, Parsippany, NJ (US);
Francisco J. Garza, Tamiment, PA (US)

(73) Assignee: **MaxLite, Inc.**, West Caldwell, NJ (US)

(**) Term: **15 Years**

(21) Appl. No.: **29/547,103**

(22) Filed: **Dec. 1, 2015**

(51) **LOC (10) Cl.** **26-03**

(52) **U.S. Cl.**
USPC **D26/92**

(58) **Field of Classification Search**
USPC D26/63, 71, 72, 80, 83, 92, 118, 142
CPC F21S 8/04; F21S 8/03; F21S 8/033; F21S 8/036; F21S 8/043; F21S 8/046; F21S 8/086; F21V 21/02; F21V 21/08; F21V 21/26; F21V 21/30; F21V 17/168
See application file for complete search history.

(56) **References Cited**

U.S. PATENT DOCUMENTS

3,232,649	A *	2/1966	Mehr	F21V 21/26 403/84
D465,607	S *	11/2002	De'Armond	D26/142
D569,540	S *	5/2008	Bourgeois	D26/71
D609,384	S *	2/2010	Gray	D26/71
D616,145	S *	5/2010	Boissevain	D26/142
D632,000	S *	2/2011	Little, Jr.	D26/71
D646,420	S *	10/2011	Chen	D26/71
D697,666	S *	1/2014	Grote, Jr.	D26/142
D710,049	S *	7/2014	Haws	D26/142
8,960,971	B1 *	2/2015	Newton	F21V 15/01 362/217.16
D773,096	S *	11/2016	Zhu	D26/71

D776,859	S *	1/2017	Duckworth	D26/92
2006/0083007	A1 *	4/2006	Haugaard	F21S 8/033 362/382
2008/0080196	A1 *	4/2008	Ruud	F21S 2/005 362/373
2009/0251898	A1 *	10/2009	Kinnune	F21V 29/004 362/249.02

(Continued)

OTHER PUBLICATIONS

Maxlite QuadroMAX LED Fixture, online spec sheet dated Oct. 26, 2016. (8 pages).*

Primary Examiner — Clare E Heflin

(74) *Attorney, Agent, or Firm* — Buzyn IP Law, LLC

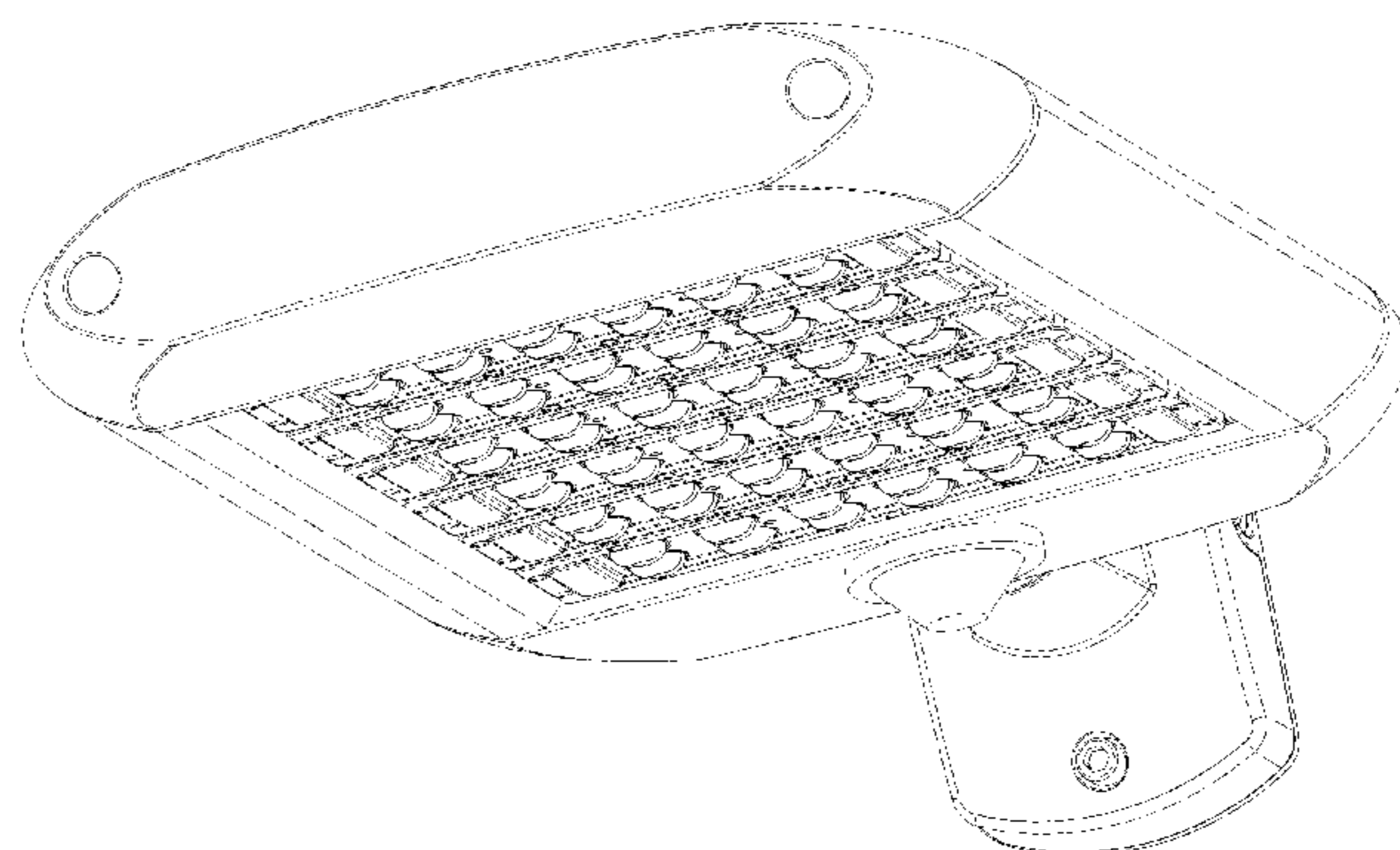
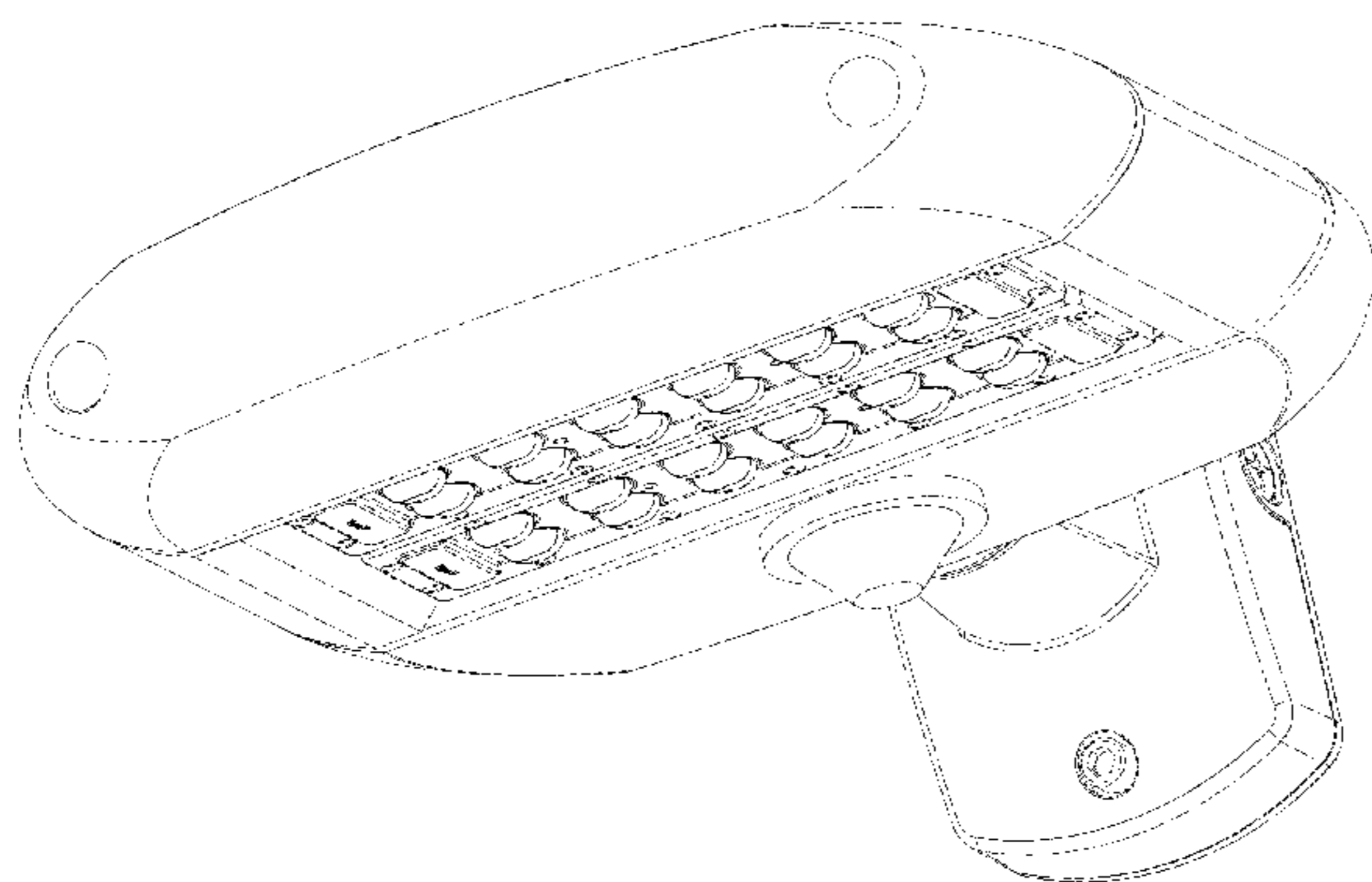
(57) **CLAIM**

The ornamental design for a modular LED light housing for rigid surface mounting, as shown and described.

DESCRIPTION

FIG. 1 is a perspective view of a first embodiment of a modular LED light housing for rigid surface mounting; FIG. 2 is a front elevational view thereof; FIG. 3 is a rear elevational view thereof; FIG. 4 is a left elevational view thereof, a right elevational view being a mirror image thereof; FIG. 5 is a top plan view thereof; and, FIG. 6 is a bottom plan view thereof; FIG. 7 is a perspective view of a second embodiment of a modular LED light housing for rigid surface mounting; FIG. 8 is a front elevational view thereof; FIG. 9 is a rear elevational view thereof; FIG. 10 is a left elevational view thereof, a right elevational view being a mirror image thereof; FIG. 11 is a top plan view thereof; and, FIG. 12 is a bottom plan view thereof.

1 Claim, 12 Drawing Sheets



(56)

References Cited

U.S. PATENT DOCUMENTS

2010/0097815	A1 *	4/2010	Song	F21S 8/086 362/418
2010/0135008	A1 *	6/2010	Teng	F21S 8/086 362/227
2011/0013392	A1 *	1/2011	Little, Jr.	F21S 8/086 362/235
2012/0087118	A1 *	4/2012	Bailey	F21V 29/745 362/235
2013/0107528	A1 *	5/2013	Boyer	F21V 29/004 362/243
2014/0247603	A1 *	9/2014	Cruz	F21S 8/033 362/311.01
2014/0254179	A1 *	9/2014	Miletich	F21V 29/22 362/373
2015/0124449	A1 *	5/2015	Wilcox	F21K 9/50 362/244
2017/0016601	A1 *	1/2017	Pouladian	F21V 21/116
2017/0030570	A1 *	2/2017	Yang	F21V 29/763

* cited by examiner

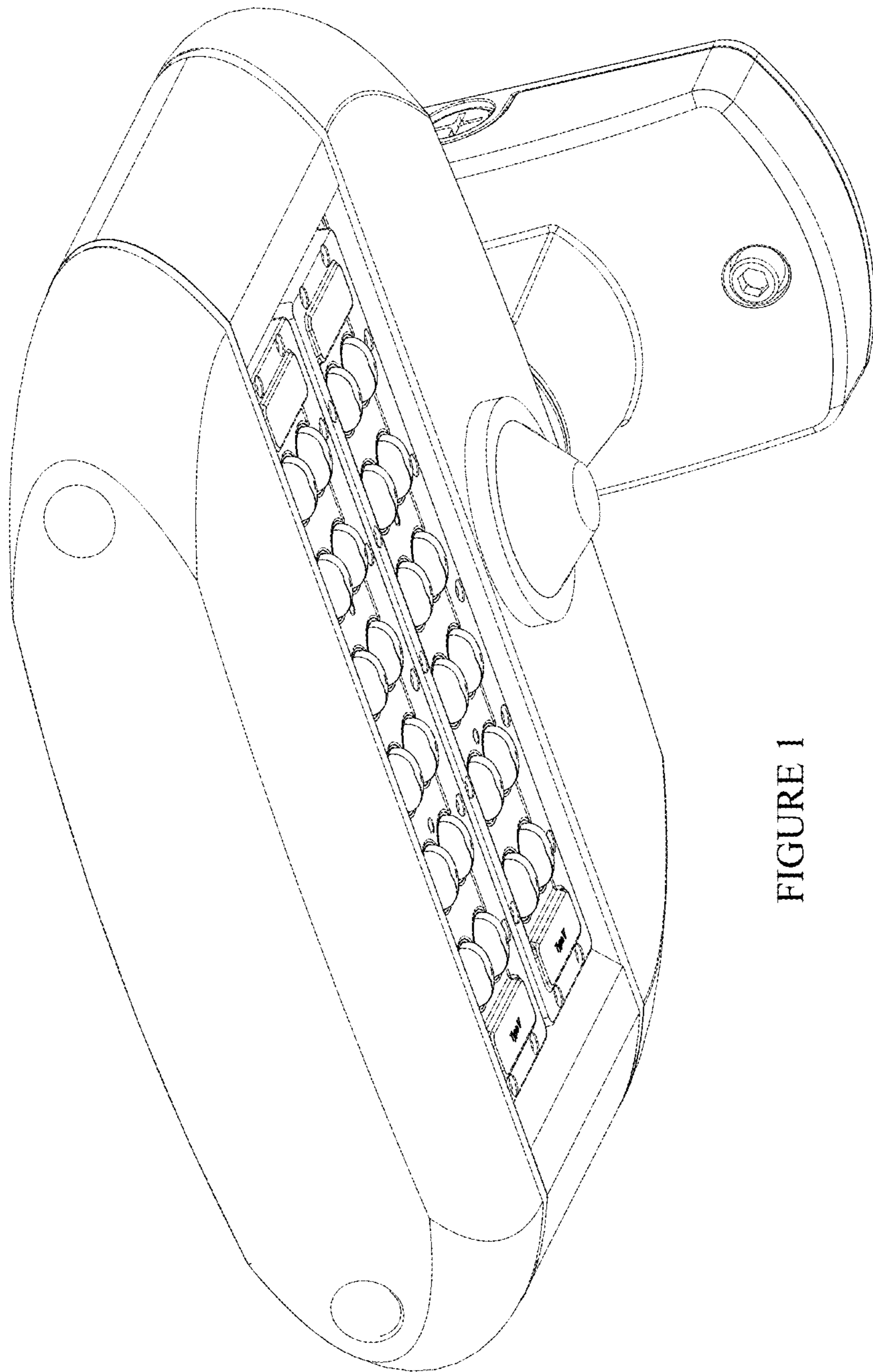


FIGURE 1

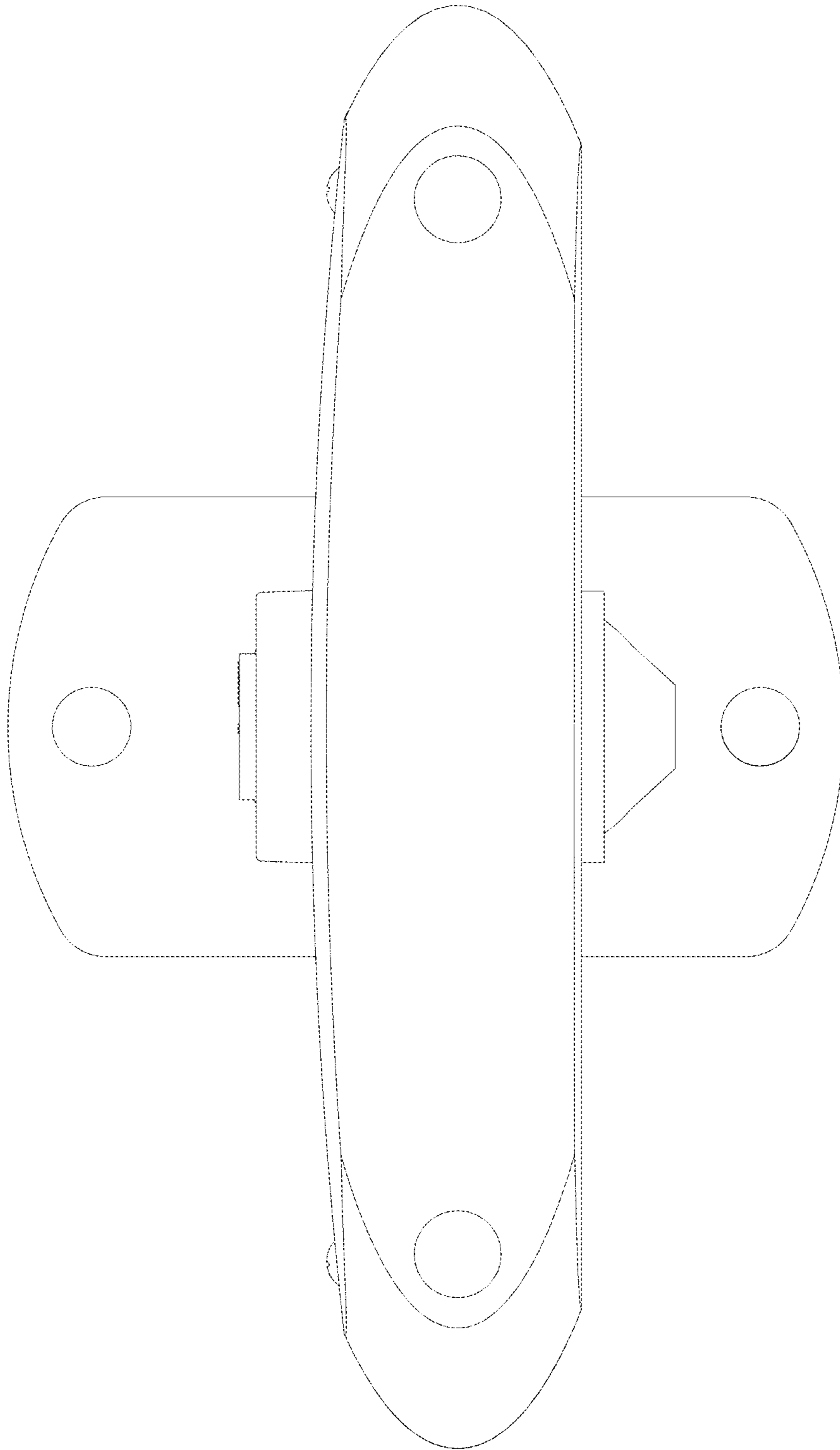


FIGURE 2

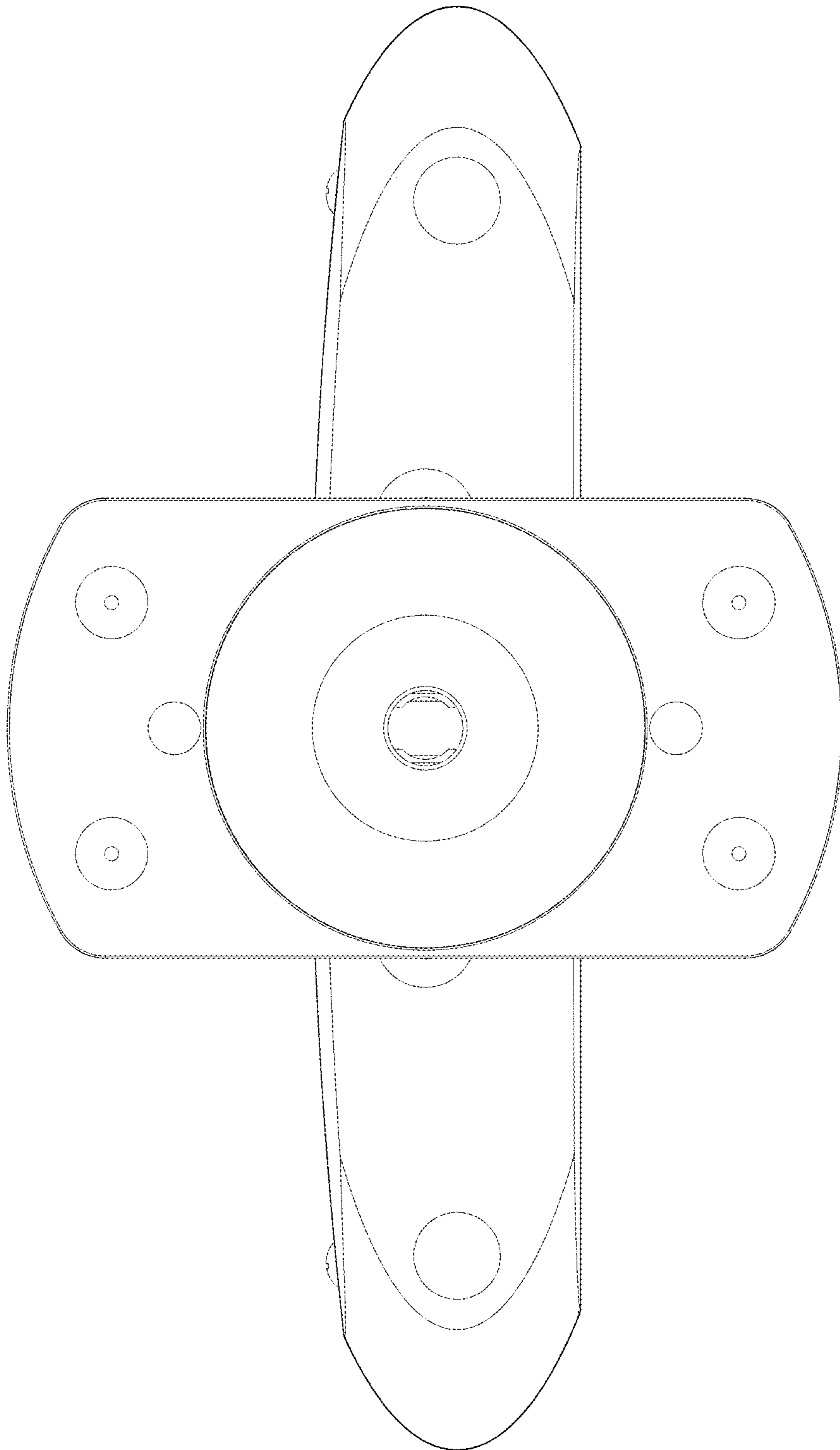


FIGURE 3

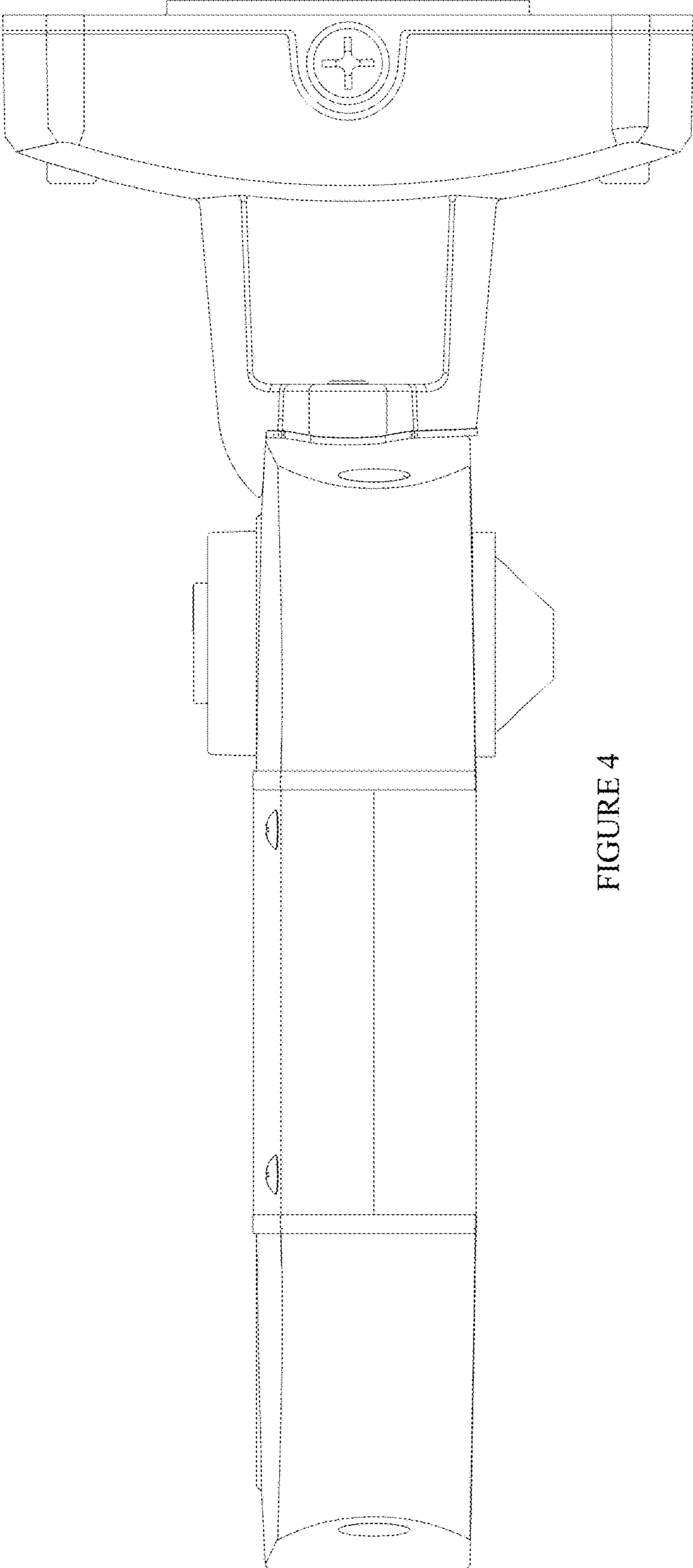


FIGURE 4

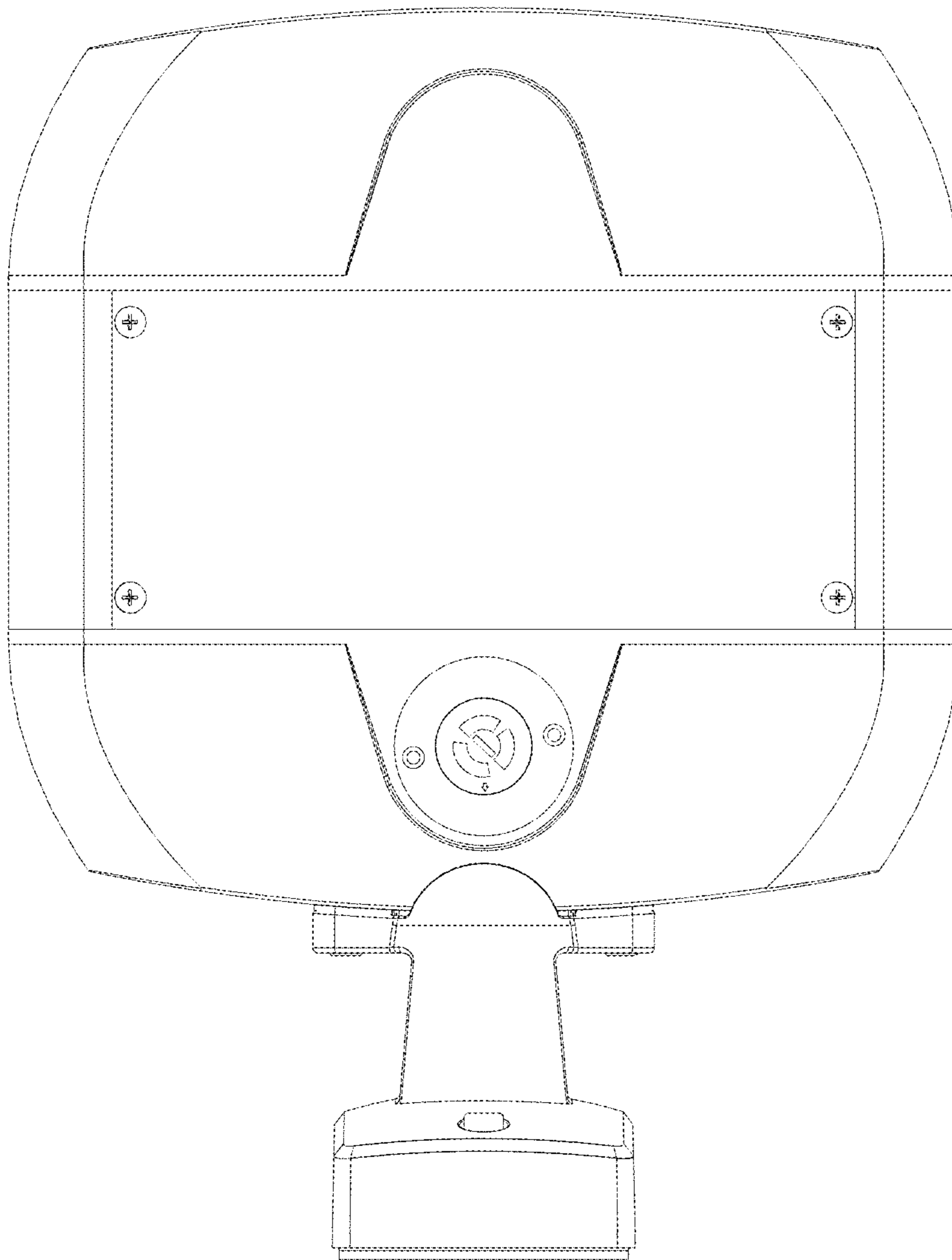


FIGURE 5

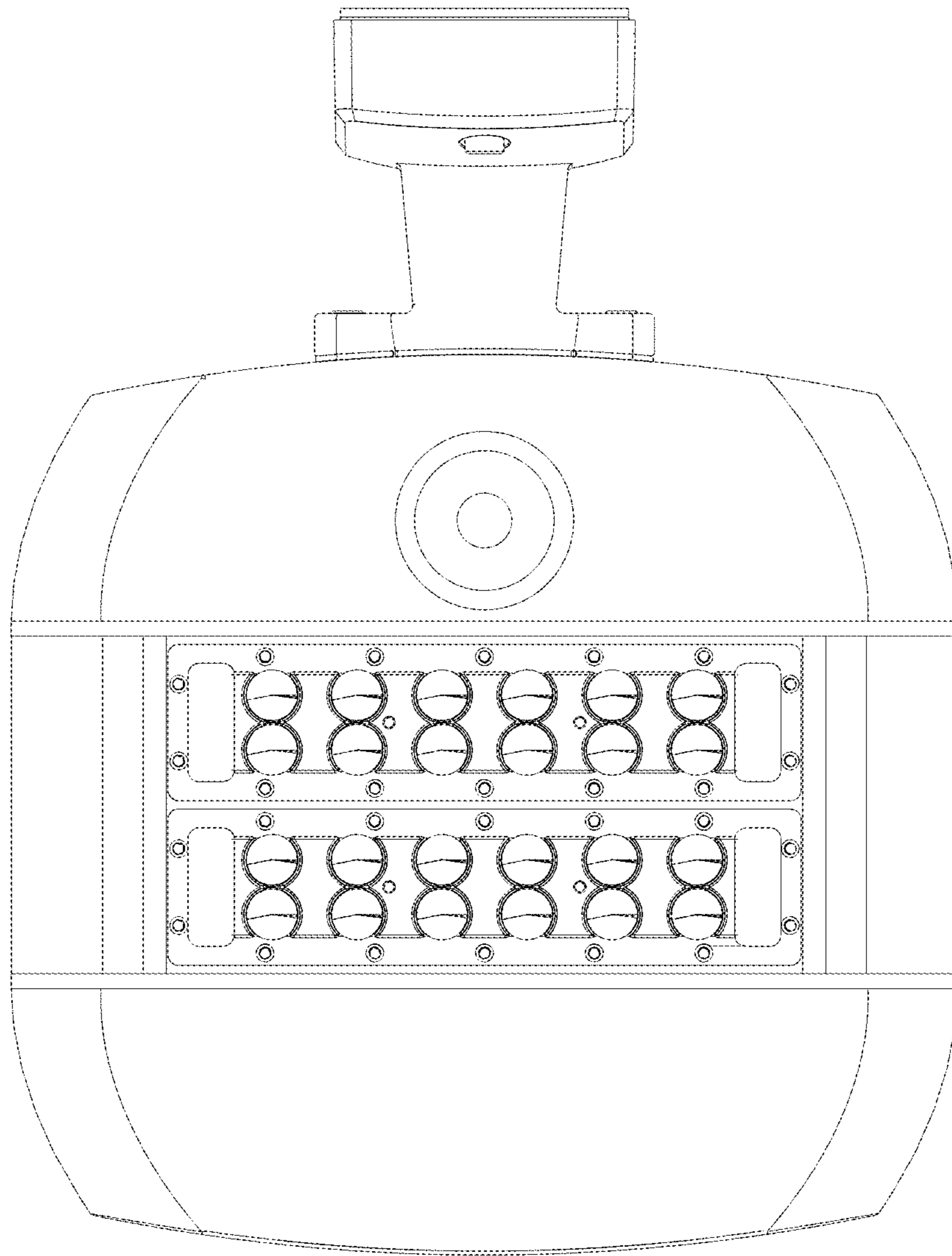


FIGURE 6

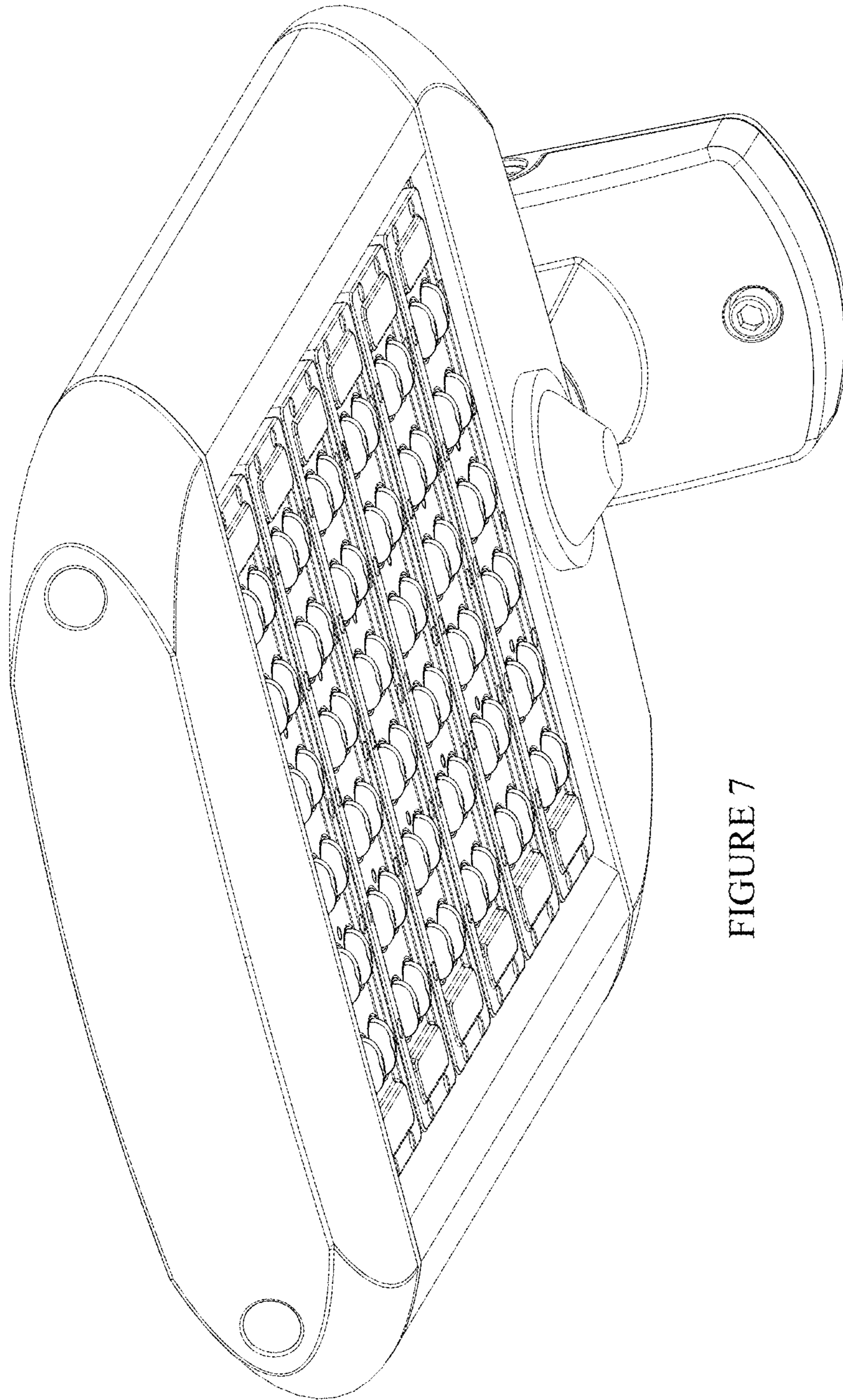


FIGURE 7

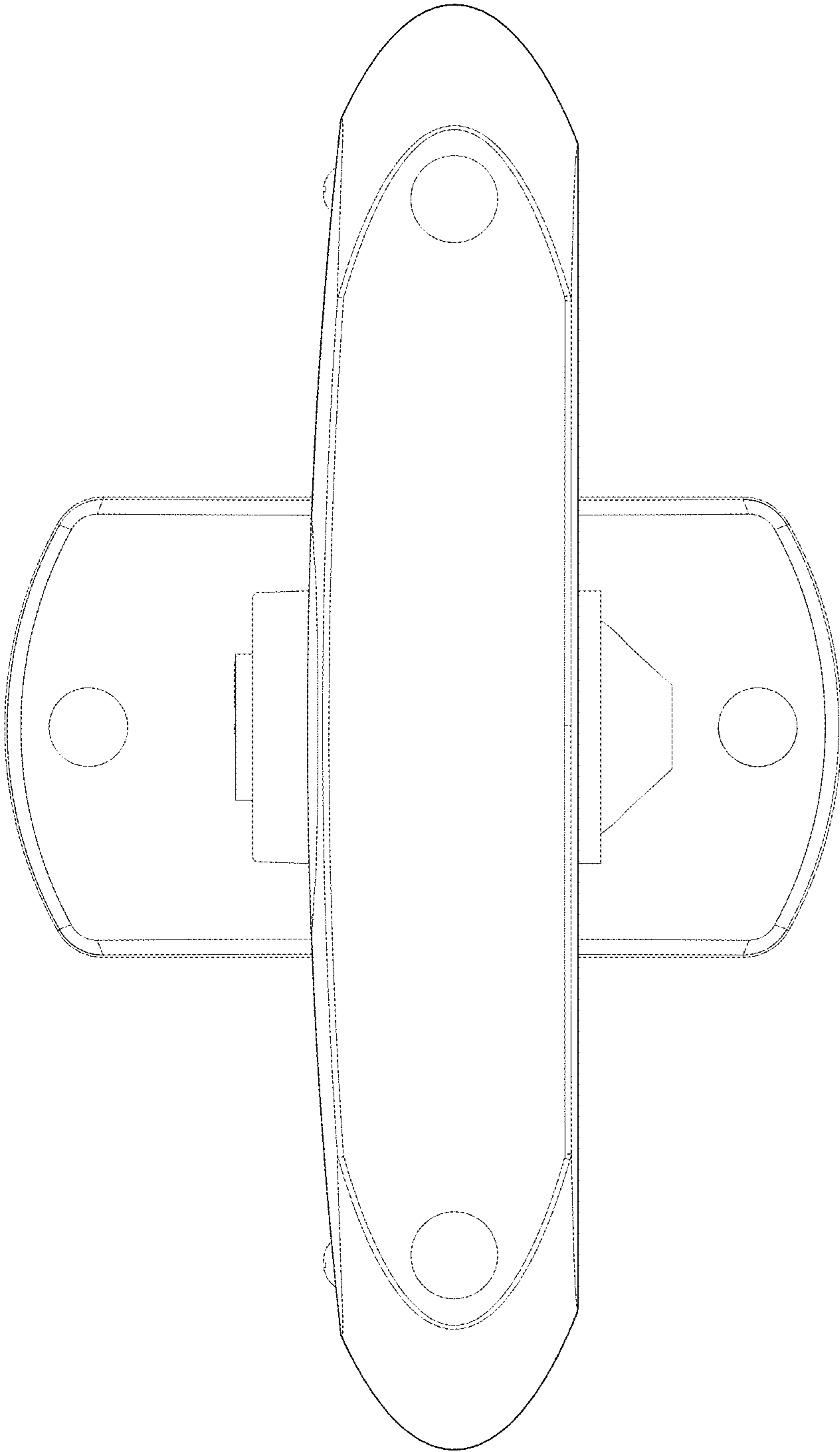


FIGURE 8

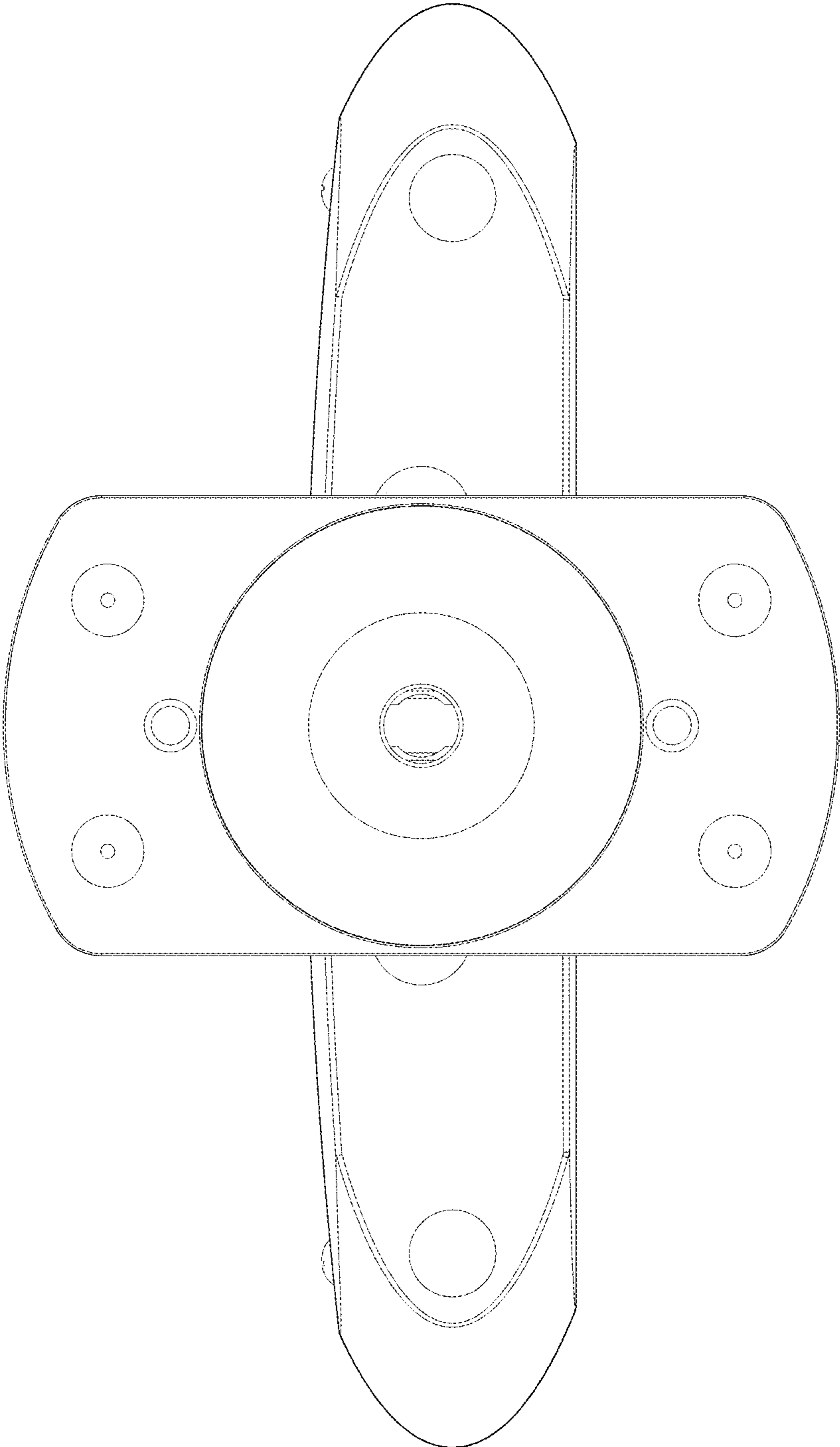


FIGURE 9

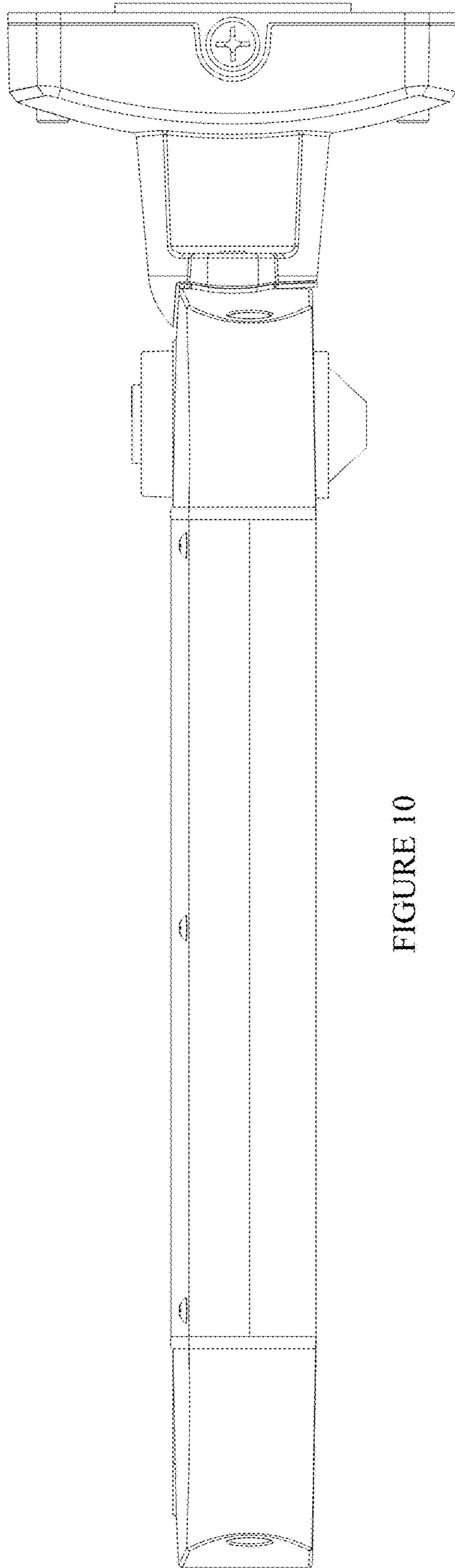


FIGURE 10

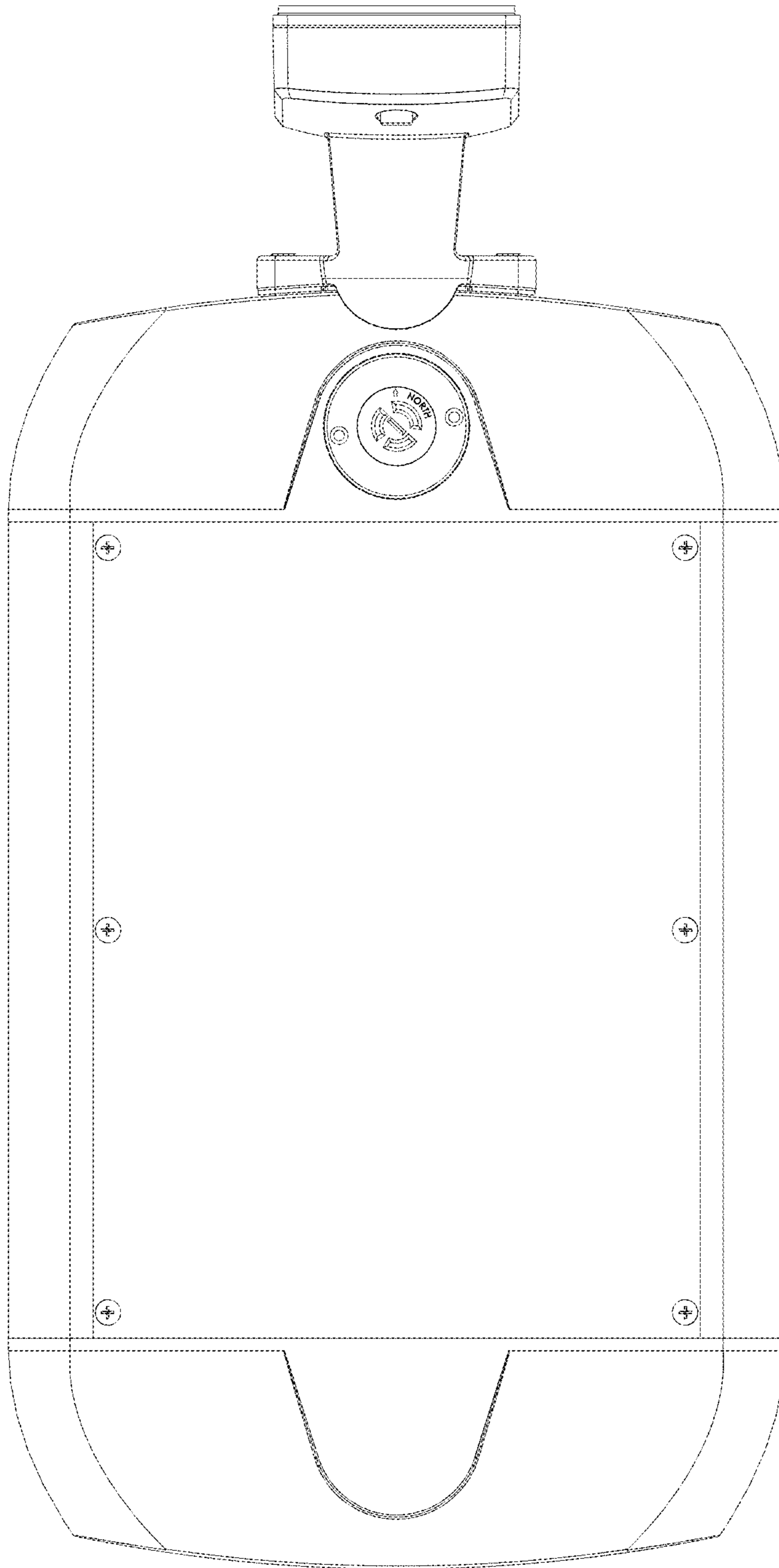


FIGURE 11

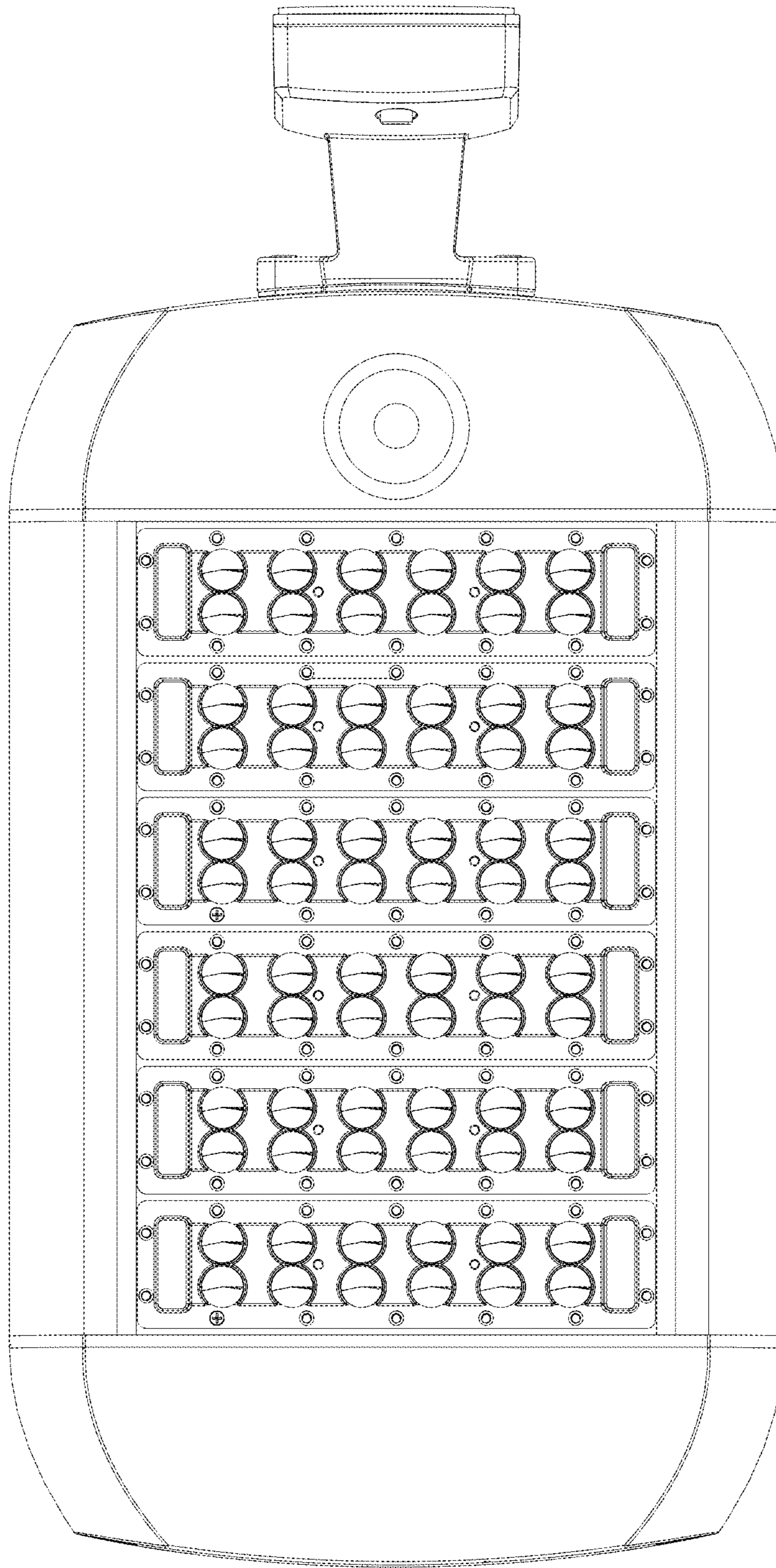


FIGURE 12