



US00D800947S

(12) **United States Design Patent**
Xiang et al.

(10) **Patent No.:** **US D800,947 S**

(45) **Date of Patent:** **** Oct. 24, 2017**

(54) **MODULAR LED LIGHT HOUSING WITH A SLIP FITTER MOUNTING**

(71) Applicant: **MAXLITE, INC.**, West Caldwell, NJ (US)

(72) Inventors: **Jun Xiang**, Parsippany, NJ (US);
Francisco J. Garza, Tamiment, PA (US)

(73) Assignee: **MaxLite, Inc.**, West Caldwell, NJ (US)

(**) Term: **15 Years**

(21) Appl. No.: **29/547,098**

(22) Filed: **Dec. 1, 2015**

(51) **LOC (10) Cl.** **26-03**

(52) **U.S. Cl.**
USPC **D26/92**

(58) **Field of Classification Search**
USPC D26/63, 71, 72, 80, 83, 92, 118, 142
CPC F21S 8/04; F21S 8/03; F21S 8/033; F21S 8/036; F21S 8/043; F21S 8/046; F21S 8/086; F21V 21/02; F21V 21/08; F21V 21/26; F21V 21/30; F21V 17/168
See application file for complete search history.

(56) **References Cited**

U.S. PATENT DOCUMENTS

D569,540 S *	5/2008	Bourgeois	D26/71
D570,535 S *	6/2008	Kinnune	D26/142
D609,384 S *	2/2010	Gray	D26/71
D616,145 S *	5/2010	Boissevain	D26/142
D632,000 S *	2/2011	Little, Jr.	D26/71
D646,420 S *	10/2011	Chen	D26/71
D666,348 S *	8/2012	Wang	D26/63
9,366,420 B2 *	6/2016	Kasuga	F21V 23/003
2008/0080196 A1 *	4/2008	Ruud	F21S 2/005 362/373
2009/0251898 A1 *	10/2009	Kinnune	F21V 29/004 362/249.02

2010/0097815 A1 *	4/2010	Song	F21S 8/086 362/418
2010/0135008 A1 *	6/2010	Teng	F21S 8/086 362/227
2011/0013392 A1 *	1/2011	Little, Jr.	F21S 8/086 362/235
2012/0087118 A1 *	4/2012	Bailey	F21V 29/745 362/235

(Continued)

OTHER PUBLICATIONS

Maxlite QuadroMAX LED Fixture, online spec sheet dated Oct. 26, 2016. (8 pages).*

Primary Examiner — Clare E Heflin

(74) *Attorney, Agent, or Firm* — Budzyn IP Law, LLC

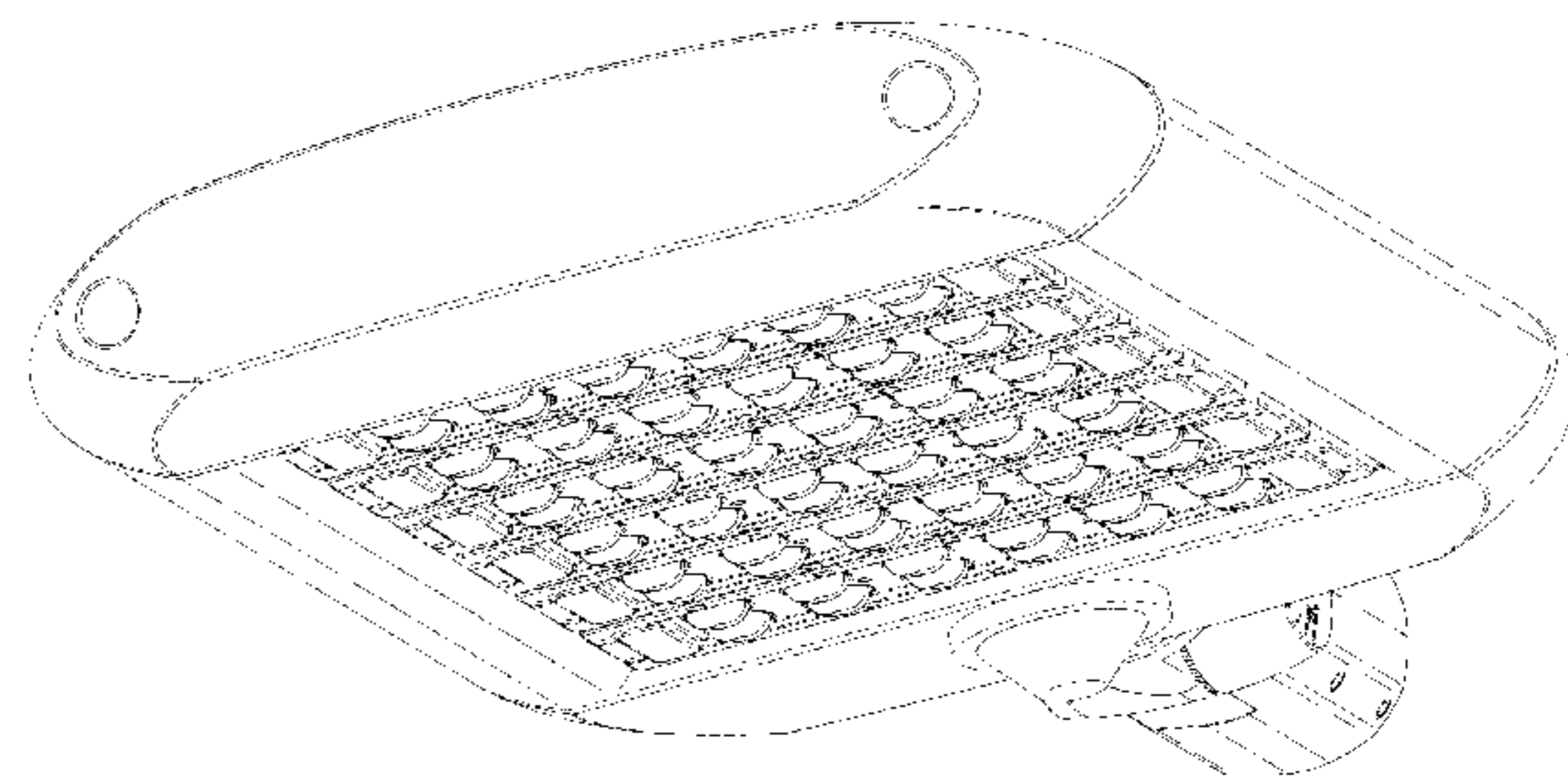
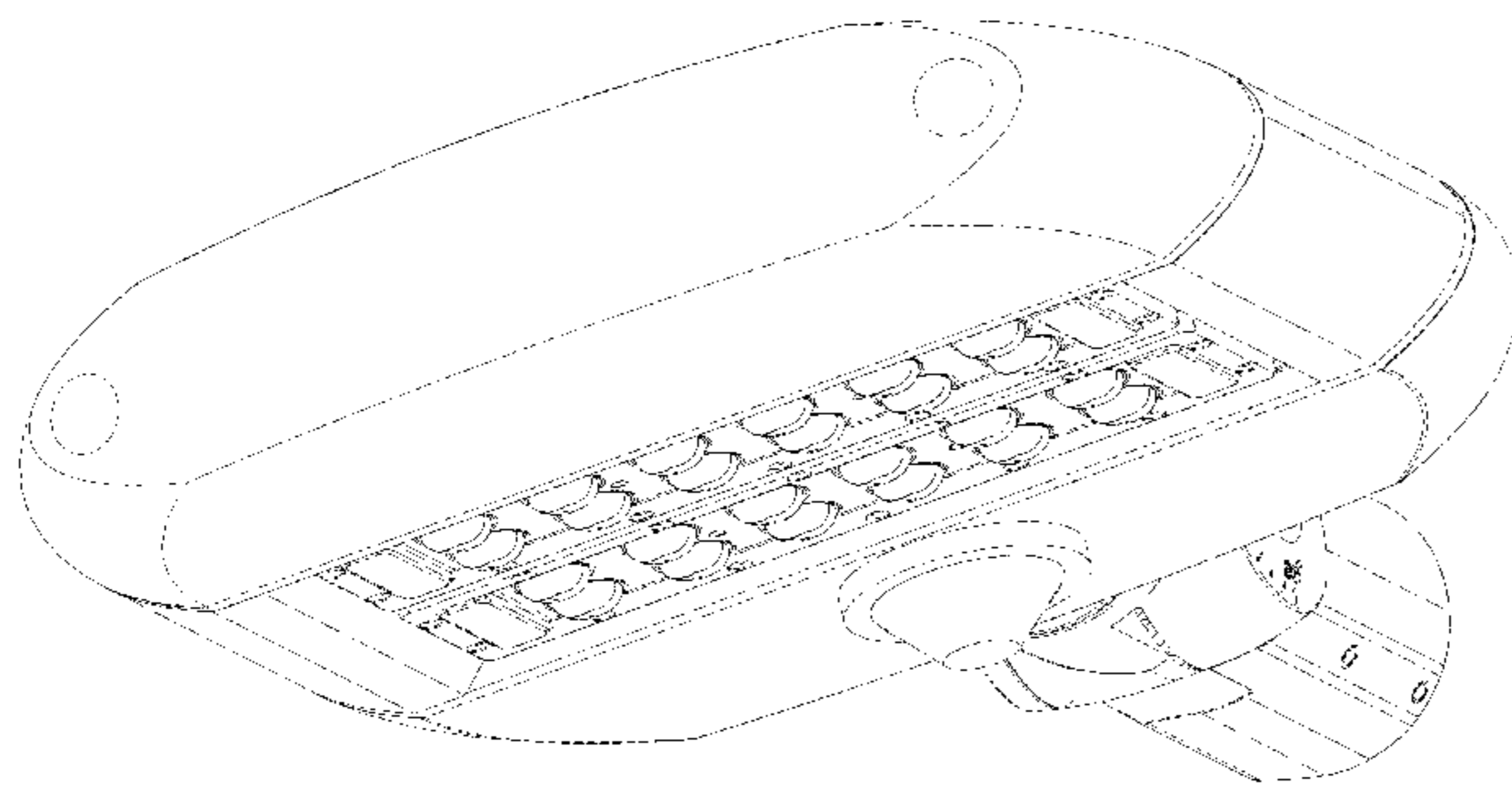
(57) **CLAIM**

The ornamental design for a modular LED light housing with a slip fitter mounting, as shown and described.

DESCRIPTION

FIG. 1 is a perspective view of a first embodiment of a modular LED light housing with a slip fitter mounting; FIG. 2 is a front elevational view thereof; FIG. 3 is a rear elevational view thereof; FIG. 4 is a left elevational view thereof; FIG. 5 is a right elevational view thereof; FIG. 6 is a top plan view thereof; and, FIG. 7 is a bottom plan view thereof; FIG. 8 is a perspective view of a second embodiment of a modular LED light housing with a slip fitter mounting; FIG. 9 is a front elevational view thereof; FIG. 10 is a rear elevational view thereof; FIG. 11 is a left elevational view thereof; FIG. 12 is a right elevational view thereof; FIG. 13 is a top plan view thereof; and, FIG. 14 is a bottom plan view thereof.

1 Claim, 14 Drawing Sheets



(56)

References Cited

U.S. PATENT DOCUMENTS

2013/0107528 A1* 5/2013 Boyer F21V 29/004
362/243
2014/0105670 A1* 4/2014 Plomteux F16C 11/10
403/83
2014/0218944 A1* 8/2014 Hobson F21V 15/013
362/418
2014/0247603 A1* 9/2014 Cruz F21S 8/033
362/311.01
2014/0254179 A1* 9/2014 Miletich F21V 29/22
362/373
2015/0124449 A1* 5/2015 Wilcox F21K 9/50
362/244
2016/0003465 A1* 1/2016 Roh F21V 23/06
362/235
2017/0016601 A1* 1/2017 Pouladian F21V 21/116
2017/0030570 A1* 2/2017 Yang F21V 29/763

* cited by examiner

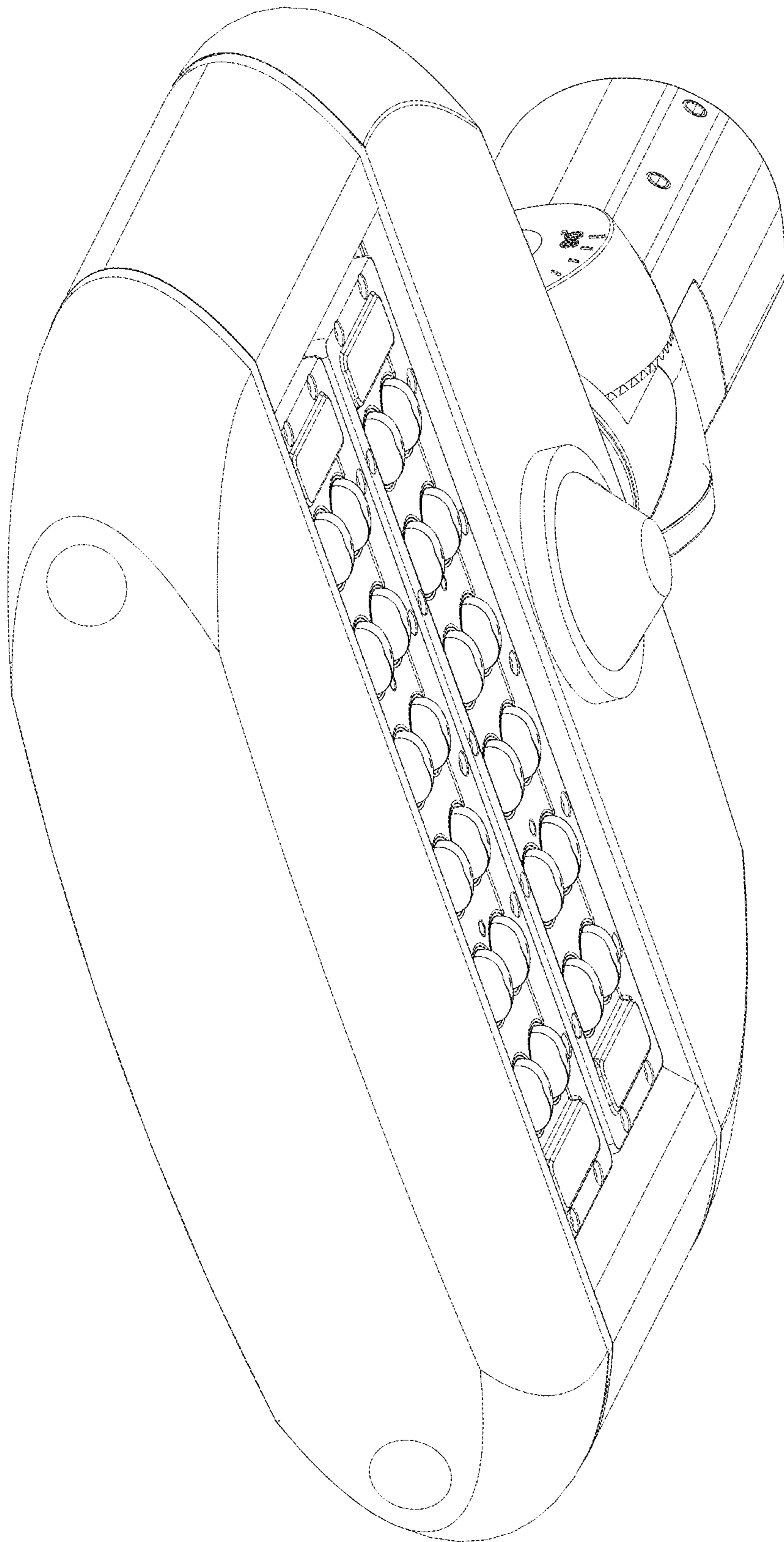


FIGURE 1

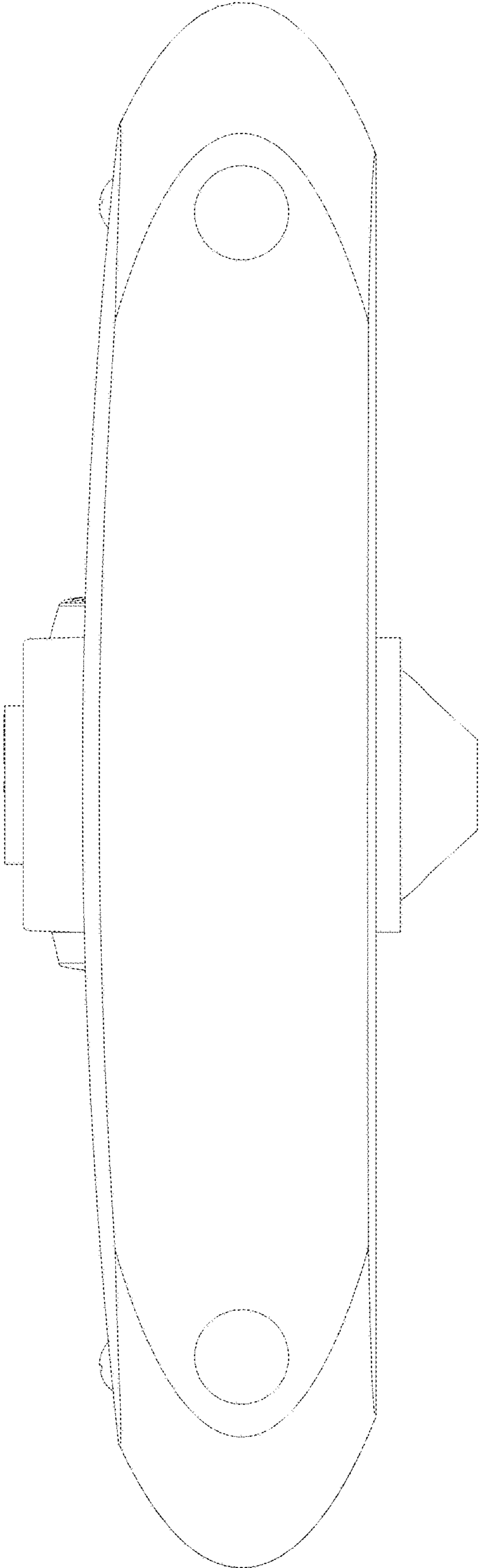


FIGURE 2

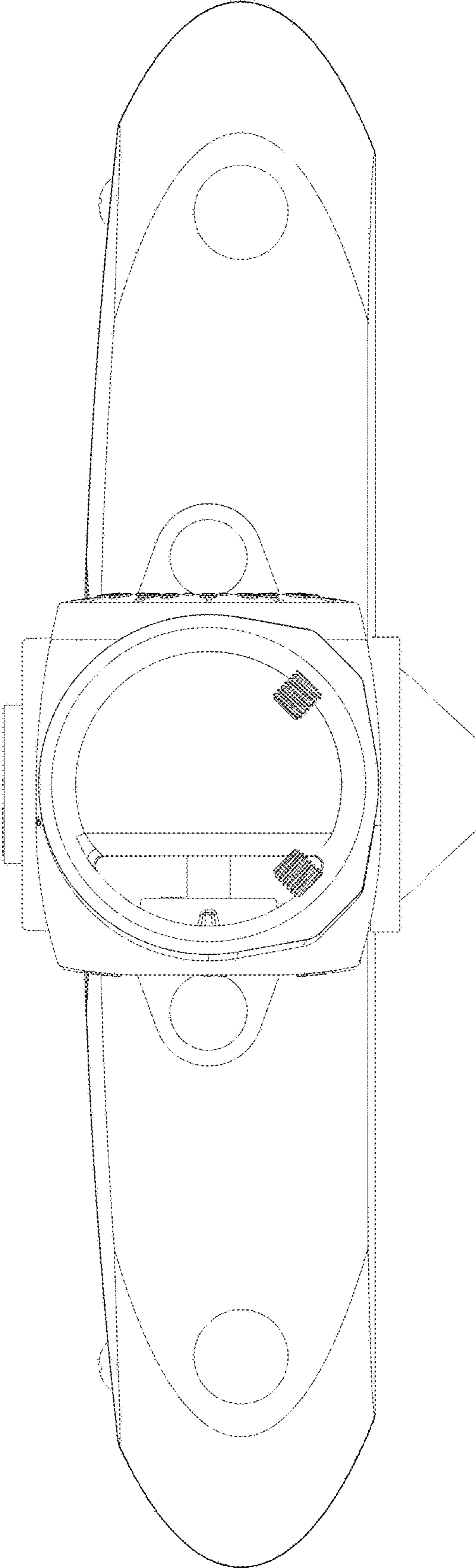


FIGURE 3

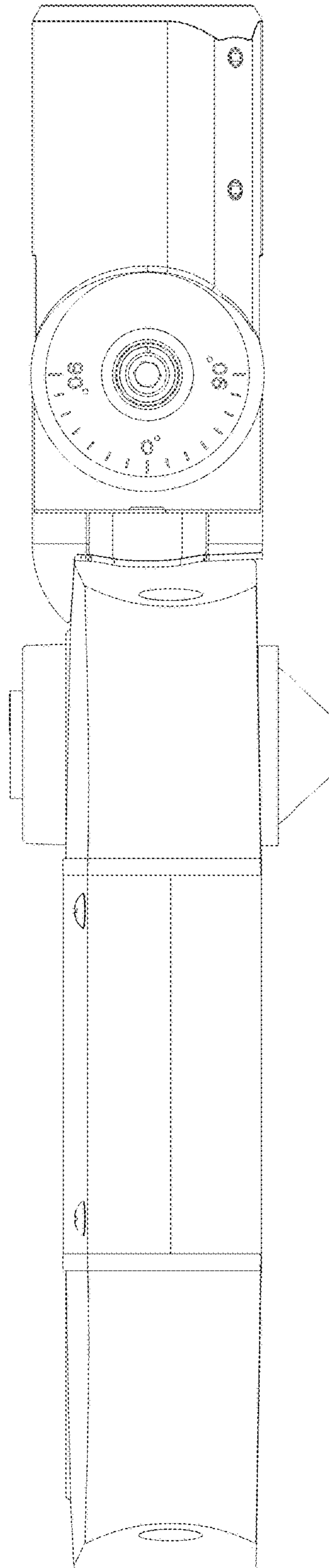


FIGURE 4

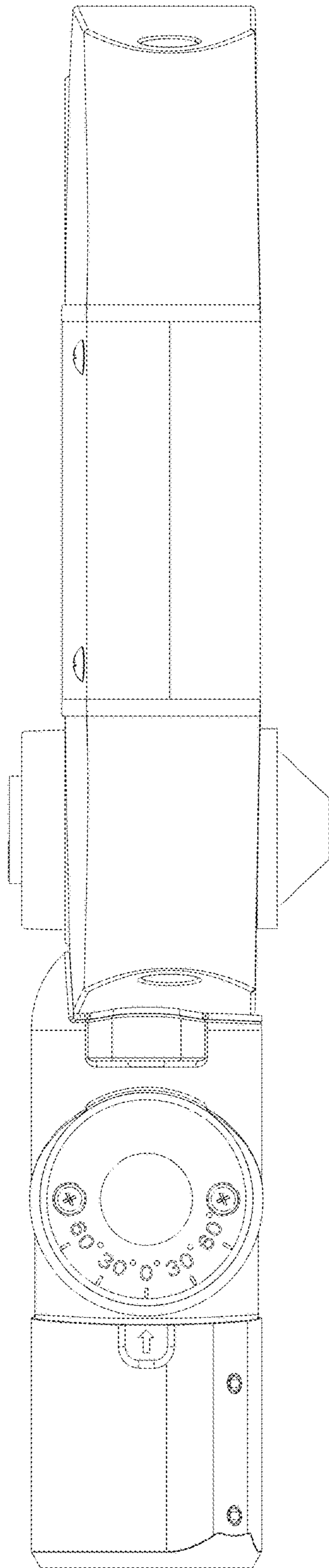


FIGURE 5

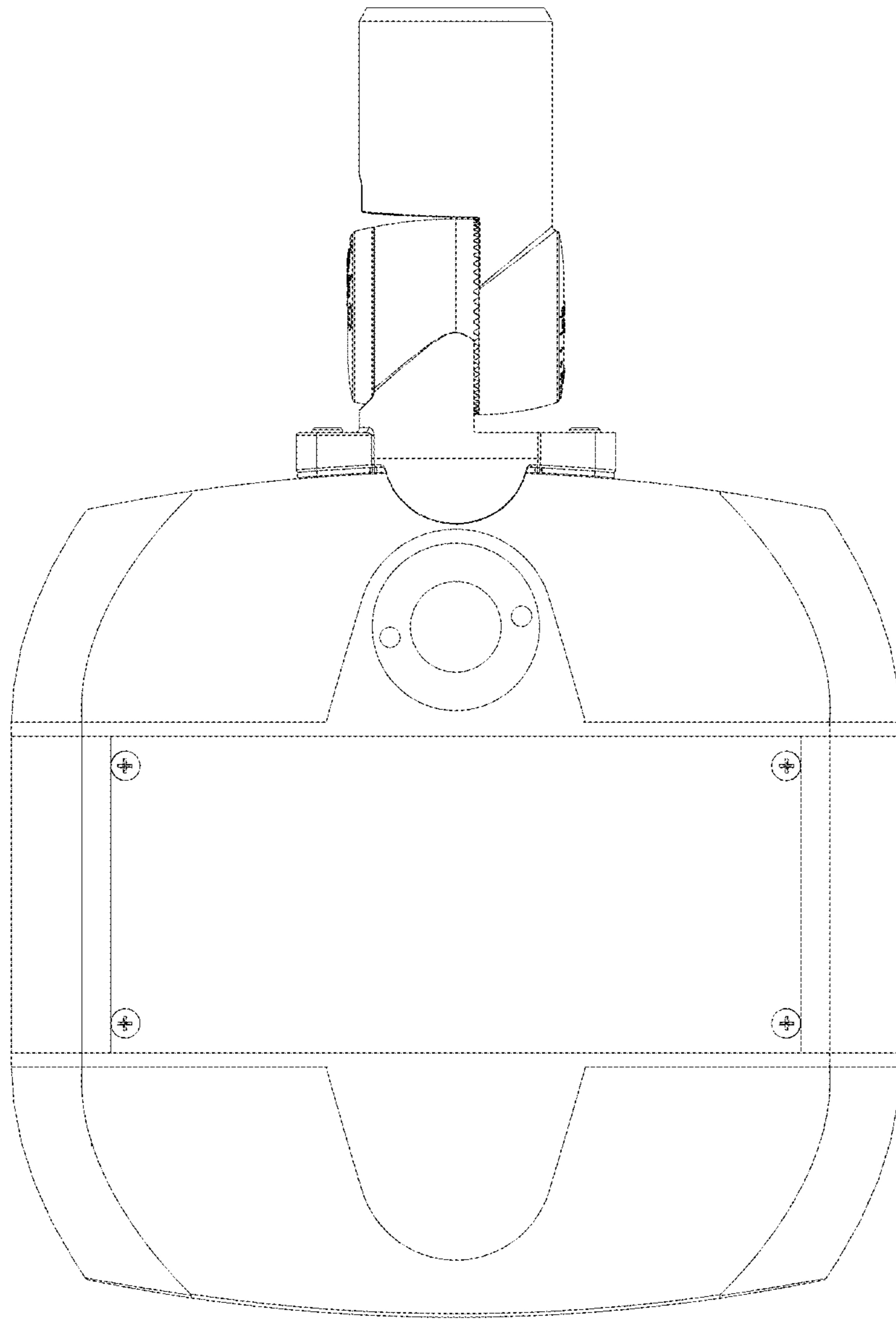


FIGURE 6

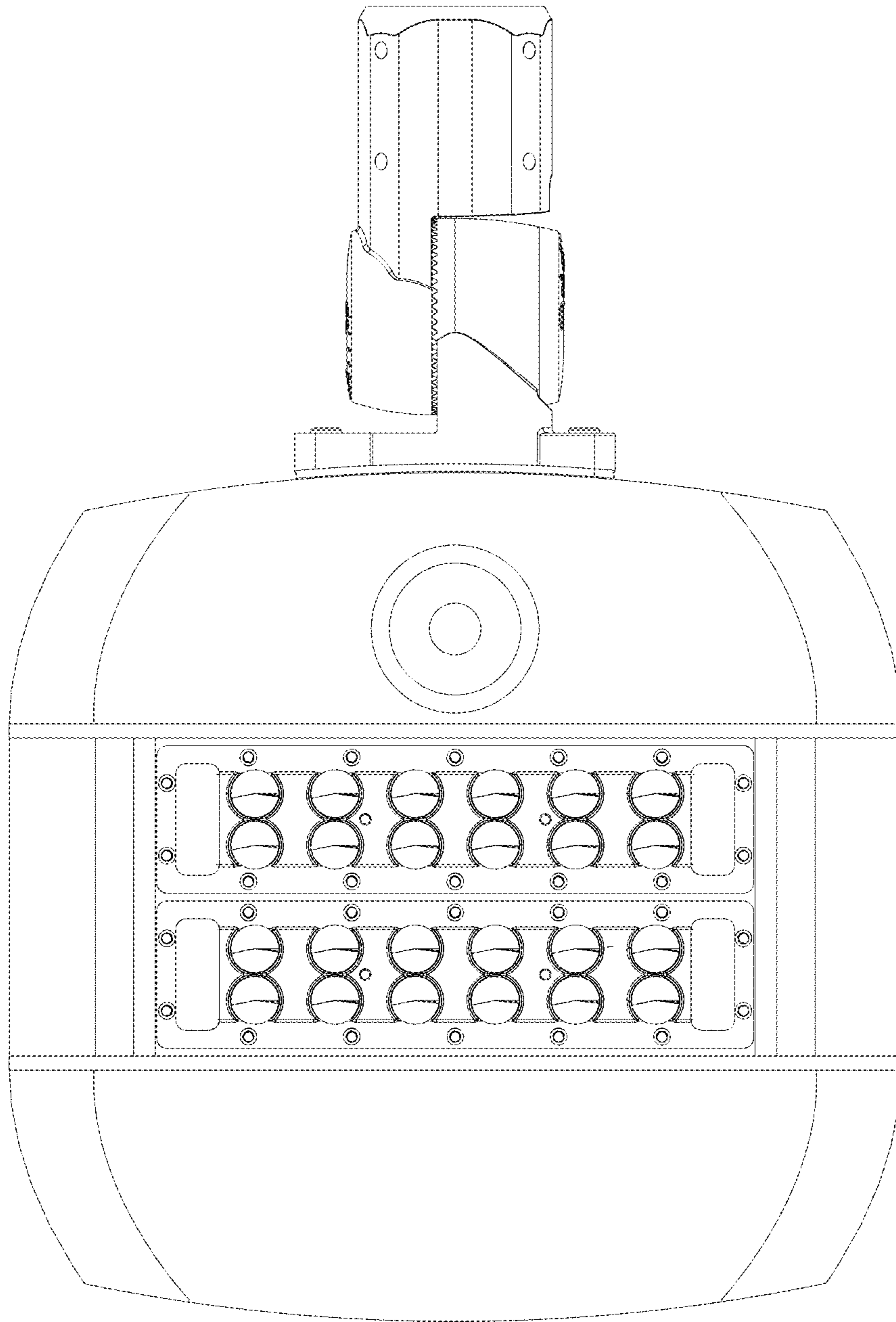


FIGURE 7

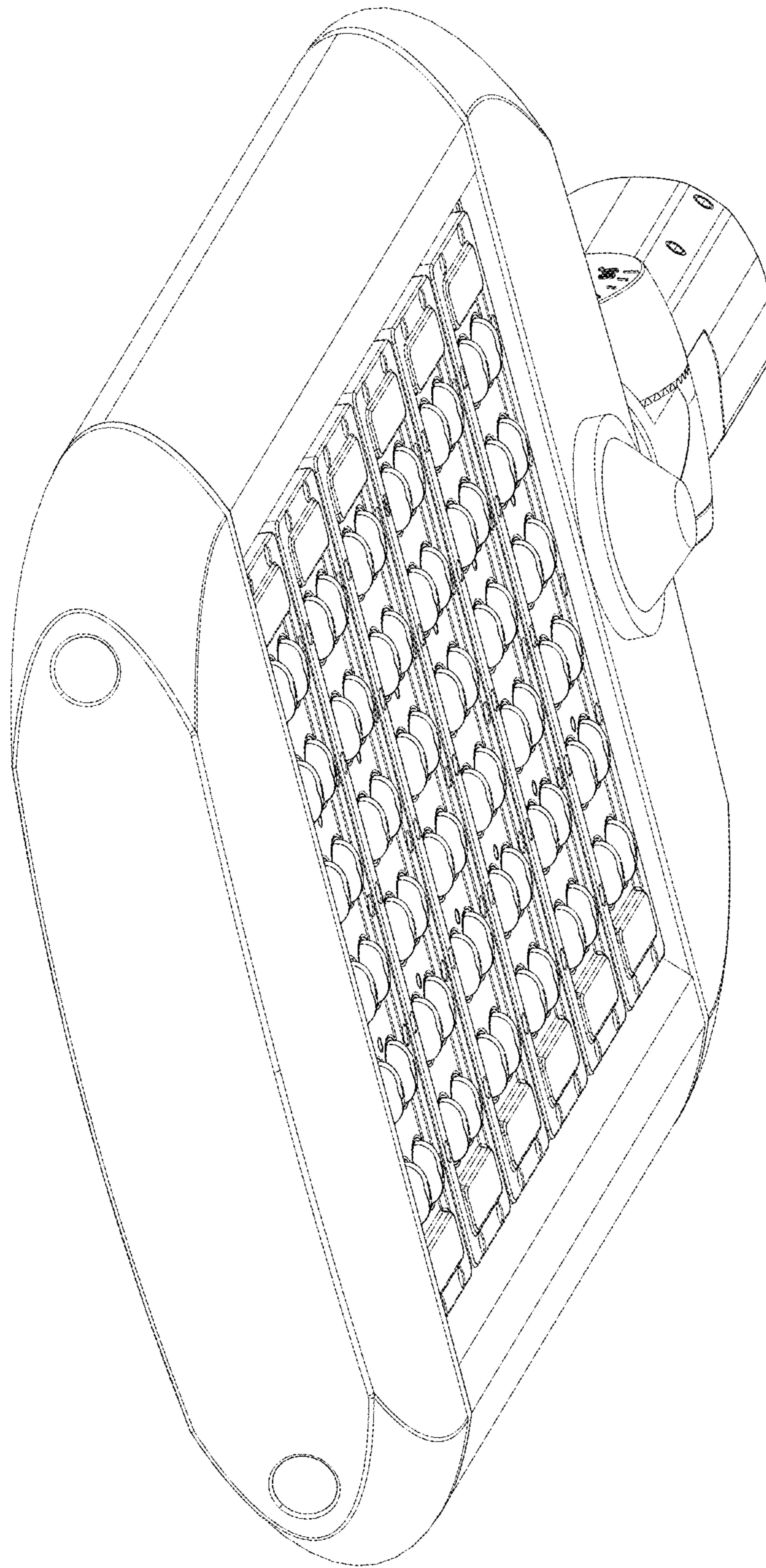


FIGURE 8

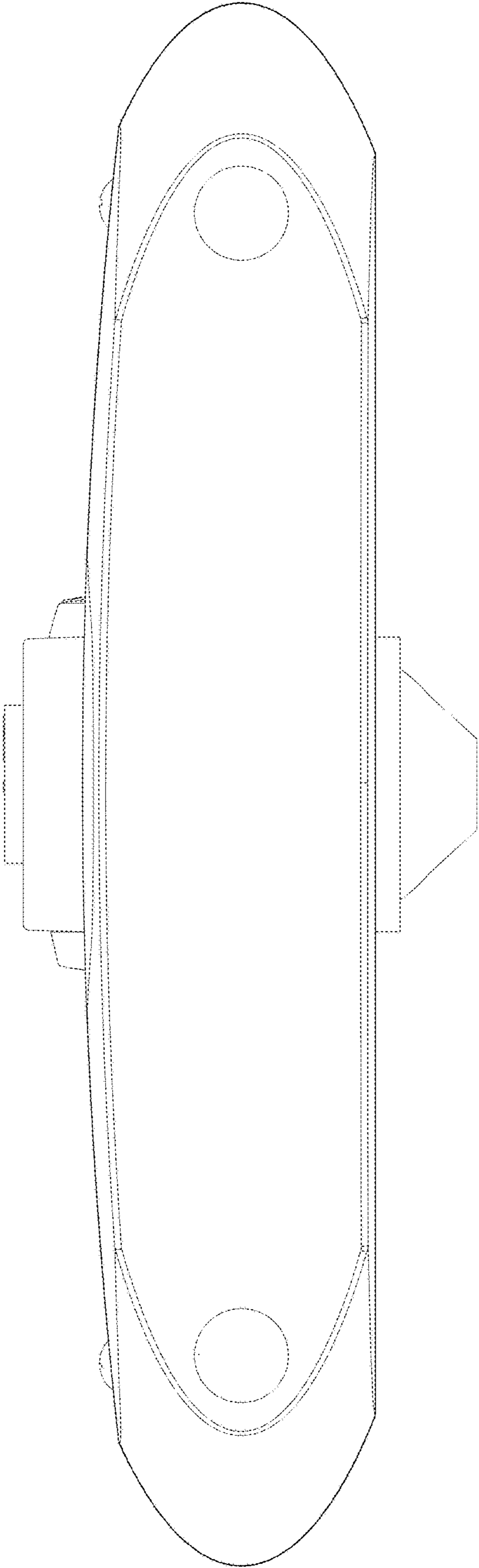


FIGURE 9

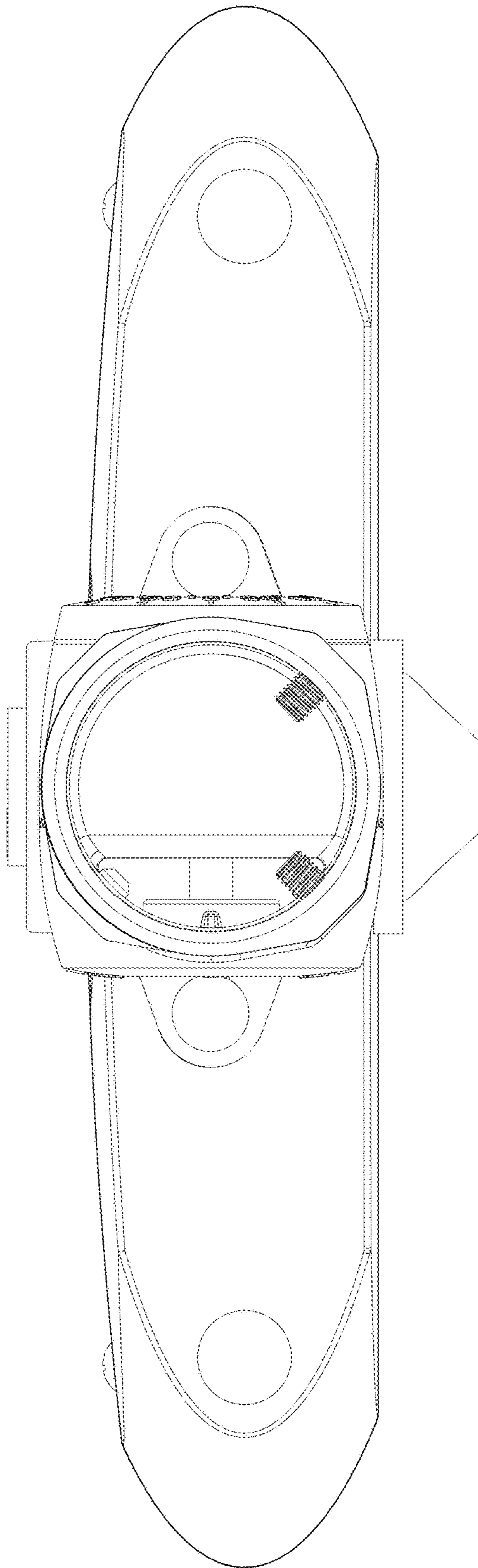


FIGURE 10

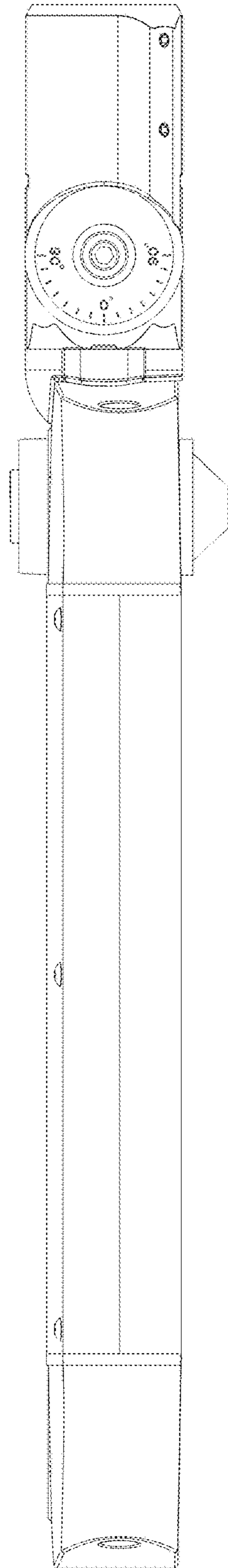


FIGURE 11

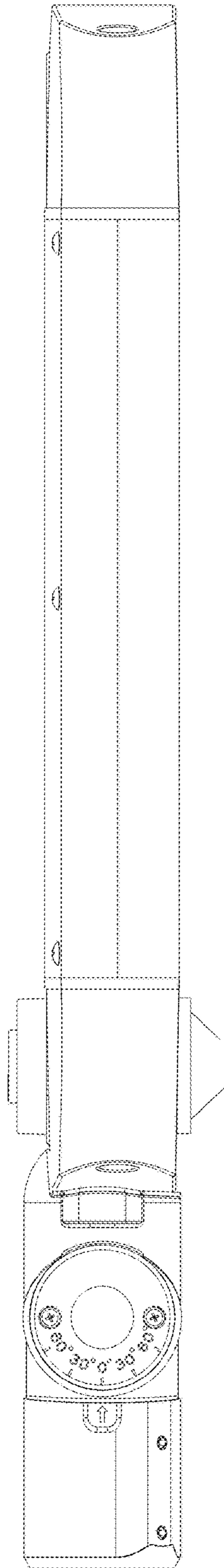


FIGURE 12

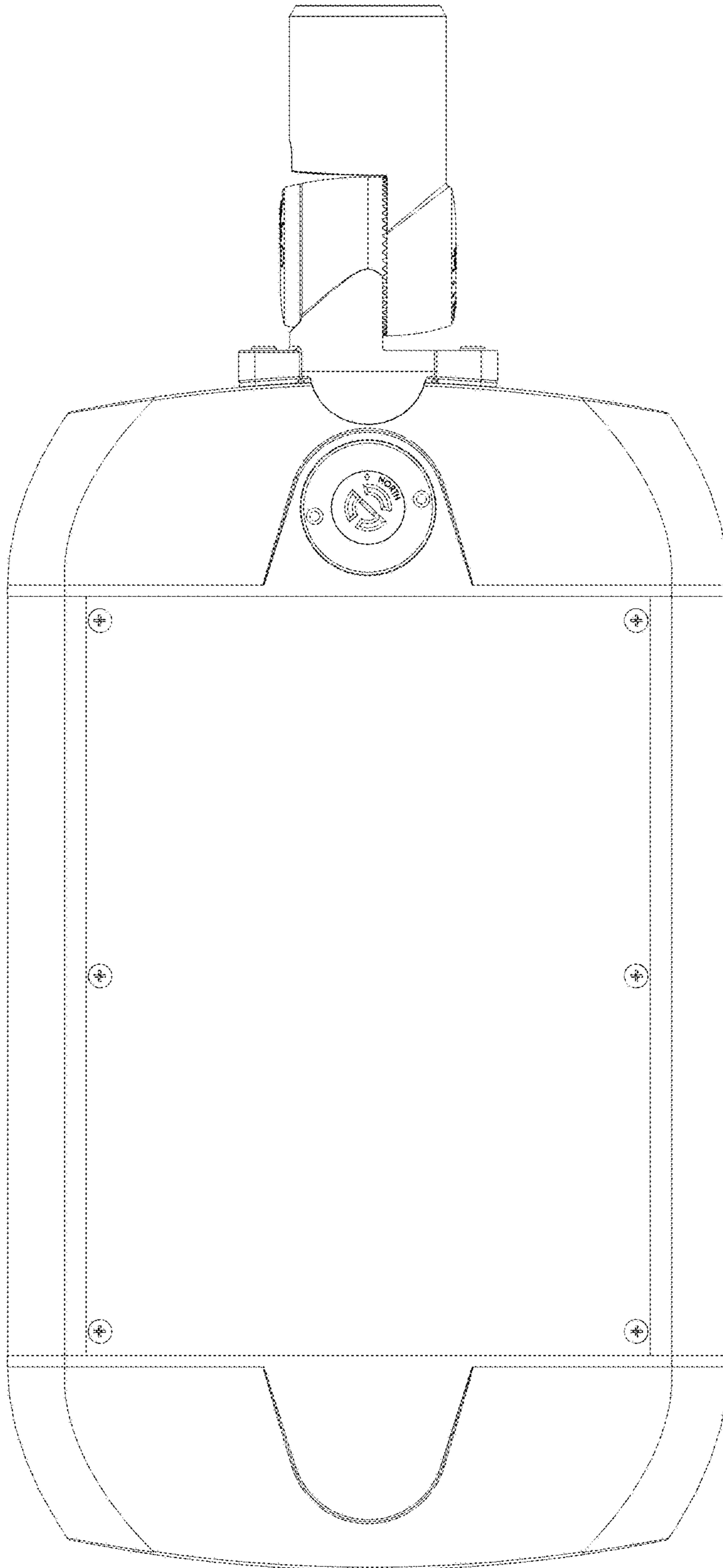


FIGURE 13

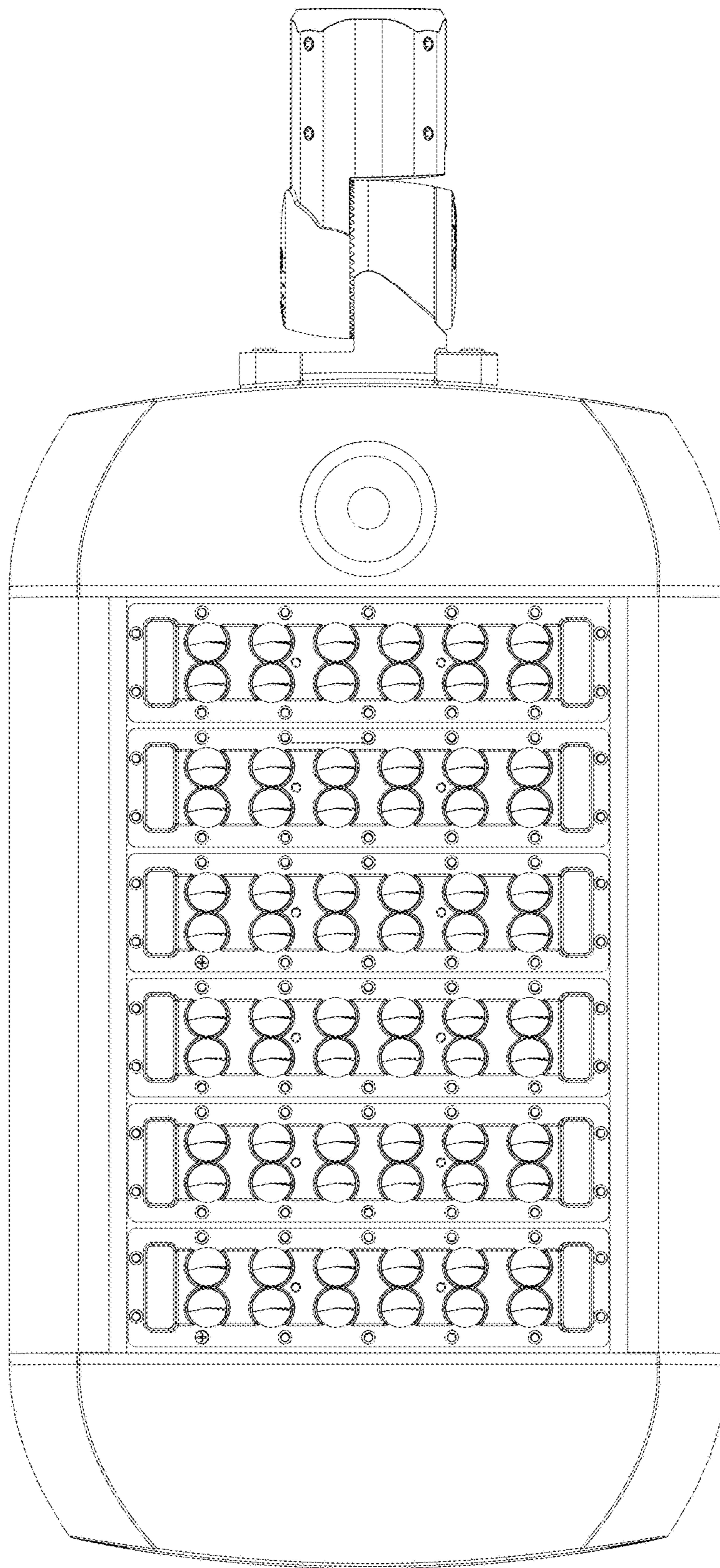


FIGURE 14