



US00D800945S

(12) **United States Design Patent**
Xiang et al.

(10) **Patent No.:** **US D800,945 S**

(45) **Date of Patent:** **** Oct. 24, 2017**

(54) **MODULAR LED LIGHT HOUSING WITH A TRUNNION MOUNTING**

(71) Applicant: **MAXLITE, INC.**, West Caldwell, NJ (US)

(72) Inventors: **Jun Xiang**, Parsippany, NJ (US);
Francisco J. Garza, Tamiment, PA (US)

(73) Assignee: **MaxLite, Inc.**, West Caldwell, NJ (US)

(**) Term: **15 Years**

(21) Appl. No.: **29/547,089**

(22) Filed: **Dec. 1, 2015**

(51) **LOC (10) Cl.** **26-03**

(52) **U.S. Cl.**
USPC **D26/92**

(58) **Field of Classification Search**
USPC D26/63, 71, 72, 80, 83, 92, 118, 142
CPC F21S 8/04; F21S 8/03; F21S 8/033; F21S 8/036; F21S 8/043; F21S 8/046; F21S 8/086; F21V 21/02; F21V 21/08; F21V 21/26; F21V 21/30; F21V 17/168
See application file for complete search history.

(56) **References Cited**

U.S. PATENT DOCUMENTS

| | | | | |
|----------------|---------|-------------|-------|--------------------------|
| D569,540 S * | 5/2008 | Bourgeois | | D26/71 |
| D609,384 S * | 2/2010 | Gray | | D26/71 |
| D616,145 S * | 5/2010 | Boissevain | | D26/142 |
| D632,000 S * | 2/2011 | Little, Jr. | | D26/71 |
| D646,420 S * | 10/2011 | Chen | | D26/71 |
| D648,473 S * | 11/2011 | Lin | | D26/71 |
| D666,348 S * | 8/2012 | Wang | | D26/63 |
| D666,352 S * | 8/2012 | Wang | | D26/92 |
| 8,960,971 B1 * | 2/2015 | Newton | | F21V 15/01 362/217.16 |
| D735,396 S * | 7/2015 | Bobel | | D26/92 |
| D773,096 S * | 11/2016 | Zhu | | D26/71 |

| | | | | |
|-------------------|---------|---------|-------|---------------------------|
| 2008/0080196 A1 * | 4/2008 | Ruud | | F21S 2/005 362/373 |
| 2009/0251898 A1 * | 10/2009 | Kinnune | | F21V 29/004 362/249.02 |
| 2010/0097815 A1 * | 4/2010 | Song | | F21S 8/086 362/418 |
| 2010/0135008 A1 * | 6/2010 | Teng | | F21S 8/086 362/227 |

(Continued)

OTHER PUBLICATIONS

Maxlite QuadroMAX LED Fixture, online spec sheet dated Oct. 26, 2016. (8 pages).*

Primary Examiner — Clare E Heflin

(74) *Attorney, Agent, or Firm* — Budzyn IP Law, LLC

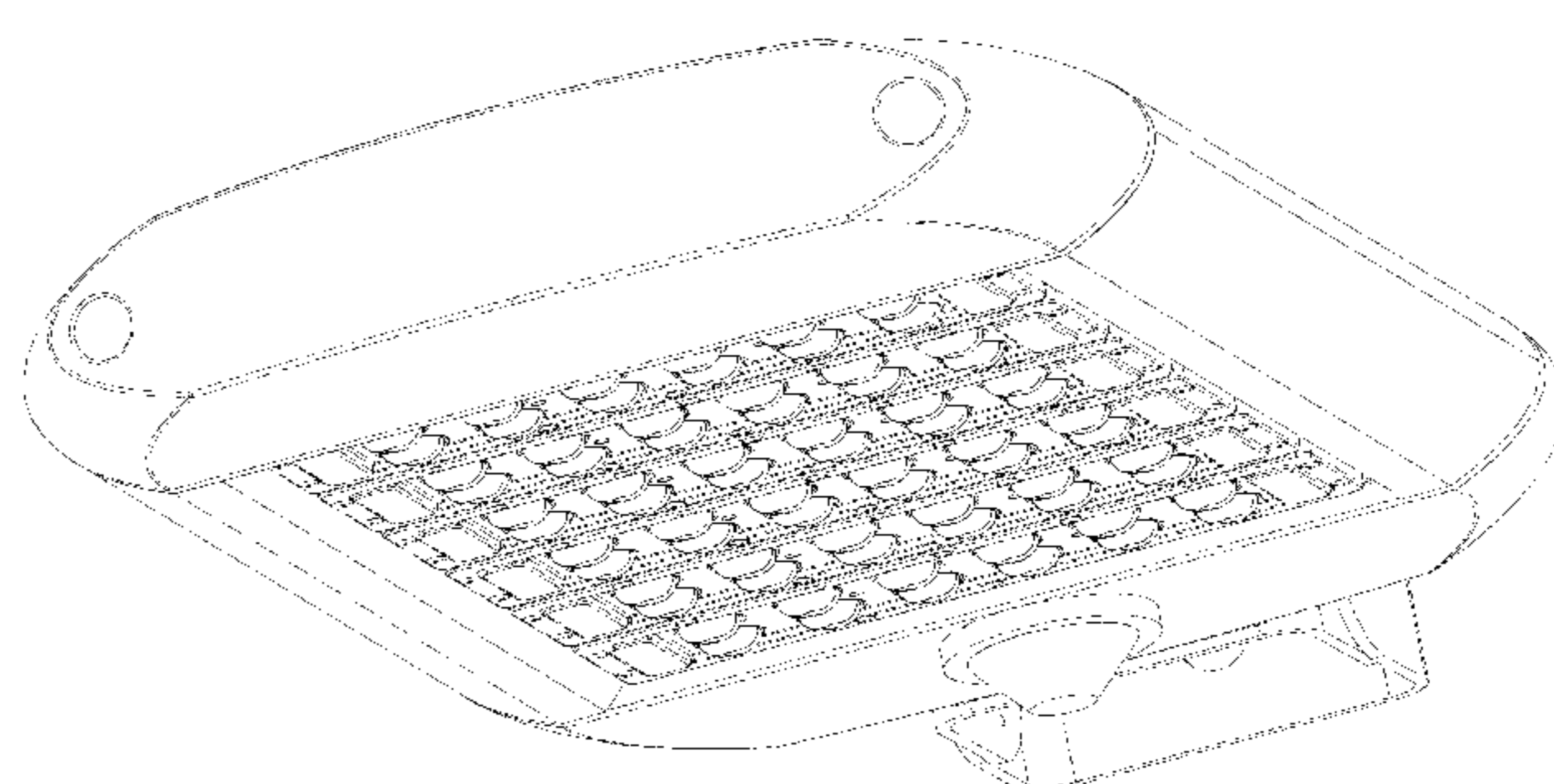
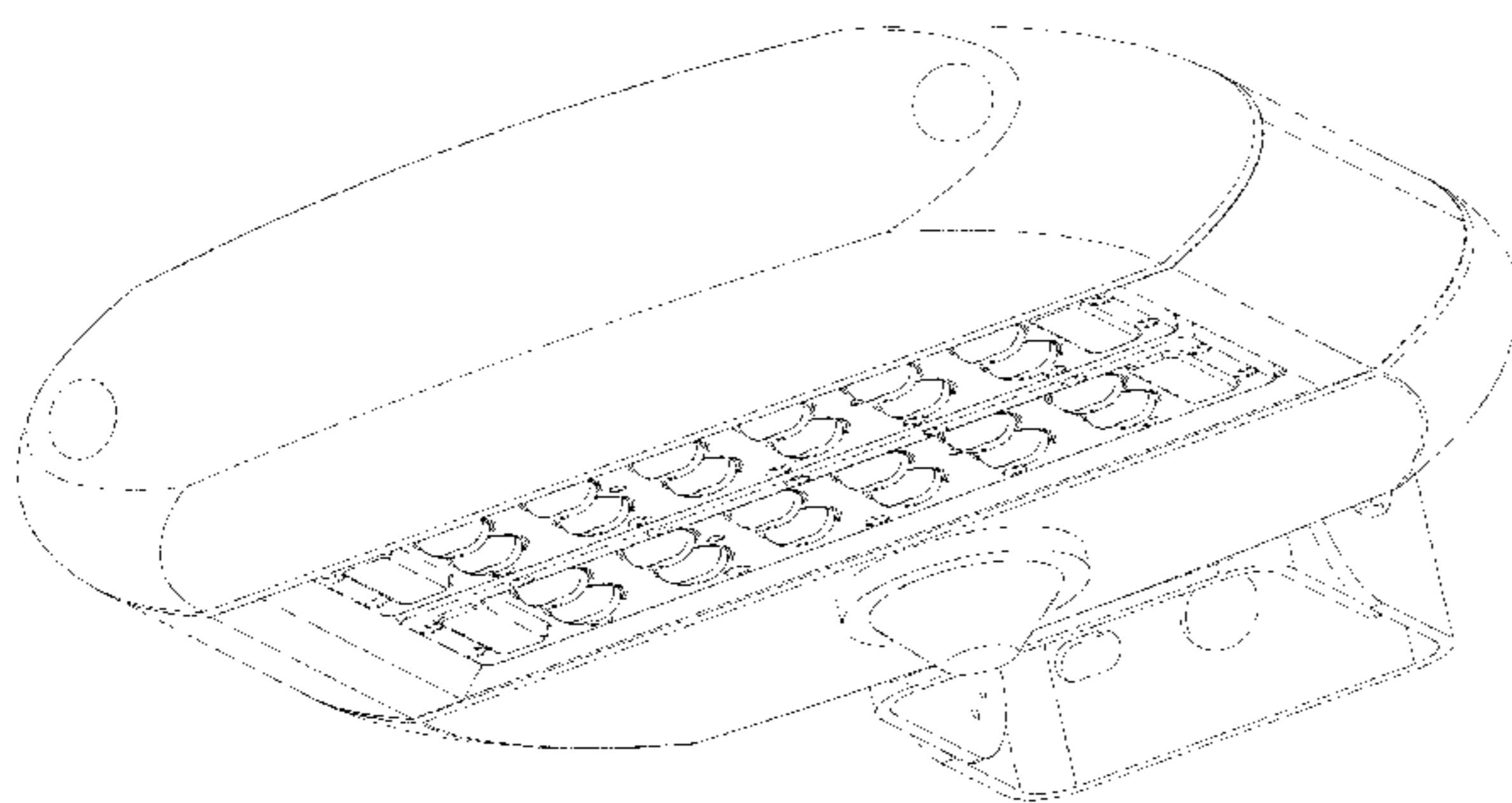
(57) **CLAIM**

The ornamental design for a modular LED light housing with a trunnion mounting, as shown and described.

DESCRIPTION

FIG. 1 is a perspective view of a first embodiment of a modular LED light housing with a trunnion mounting; FIG. 2 is a front elevational view thereof; FIG. 3 is a rear elevational view thereof; FIG. 4 is a left elevational view thereof, a right elevational view being a mirror image thereof; FIG. 5 is a top plan view thereof; and, FIG. 6 is a bottom plan view thereof; FIG. 7 is a perspective view of a second embodiment of a modular LED light housing with a trunnion mounting; FIG. 8 is a front elevational view thereof; FIG. 9 is a rear elevational view thereof; FIG. 10 is a left elevational view thereof, a right elevational view being a mirror image thereof; FIG. 11 is a top plan view thereof; and, FIG. 12 is a bottom plan view thereof.

1 Claim, 12 Drawing Sheets



(56)

References Cited

U.S. PATENT DOCUMENTS

2011/0013392 A1* 1/2011 Little, Jr. F21S 8/086
362/235
2012/0087118 A1* 4/2012 Bailey F21V 29/745
362/235
2013/0107528 A1* 5/2013 Boyer F21V 29/004
362/243
2014/0247603 A1* 9/2014 Cruz F21S 8/033
362/311.01
2014/0254179 A1* 9/2014 Miletich F21V 29/22
362/373
2015/0124449 A1* 5/2015 Wilcox F21K 9/50
362/244
2016/0003465 A1* 1/2016 Roh F21V 23/06
362/235
2017/0016601 A1* 1/2017 Pouladian F21V 21/116
2017/0030570 A1* 2/2017 Yang F21V 29/763

* cited by examiner

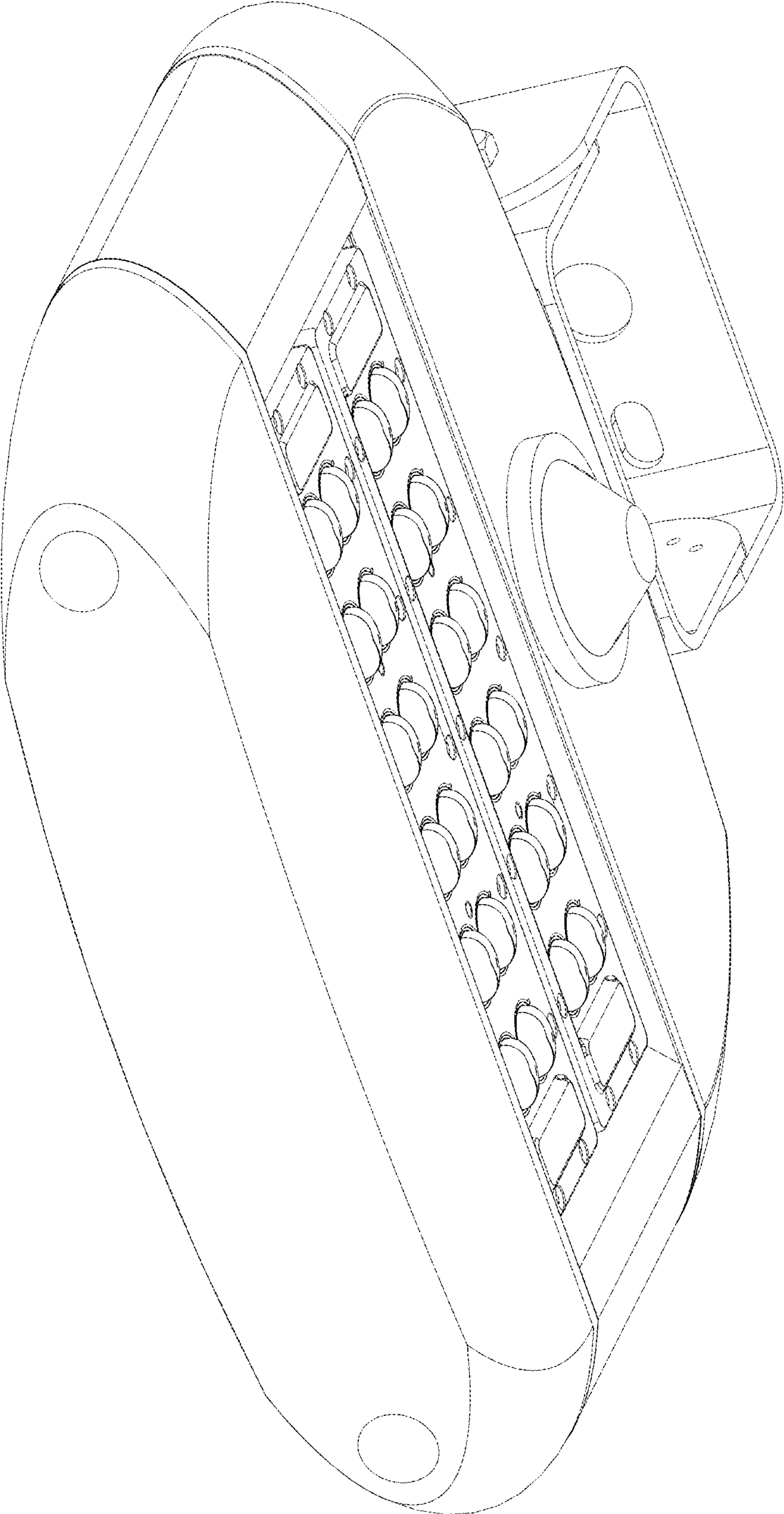


FIGURE 1

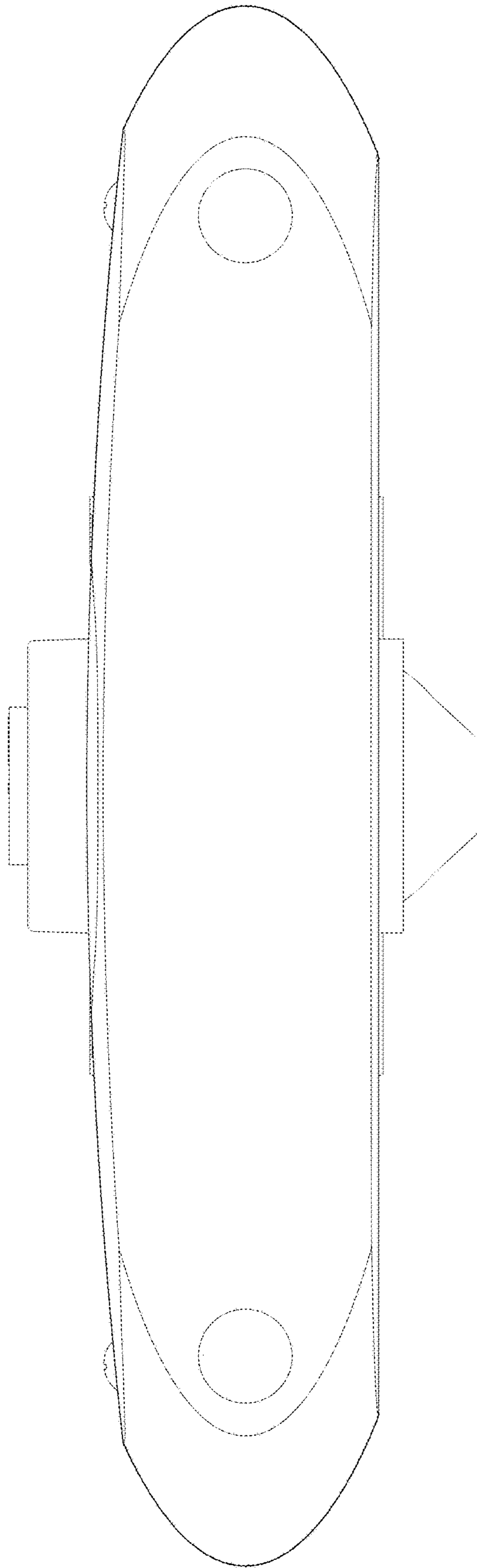


FIGURE 2

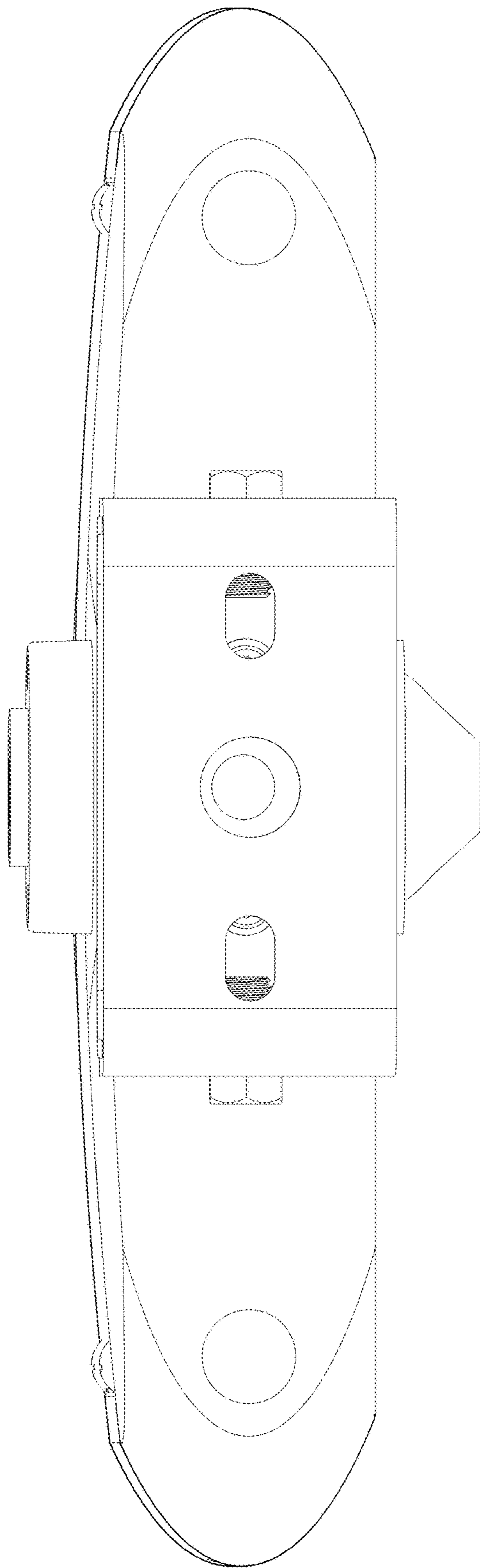


FIGURE 3

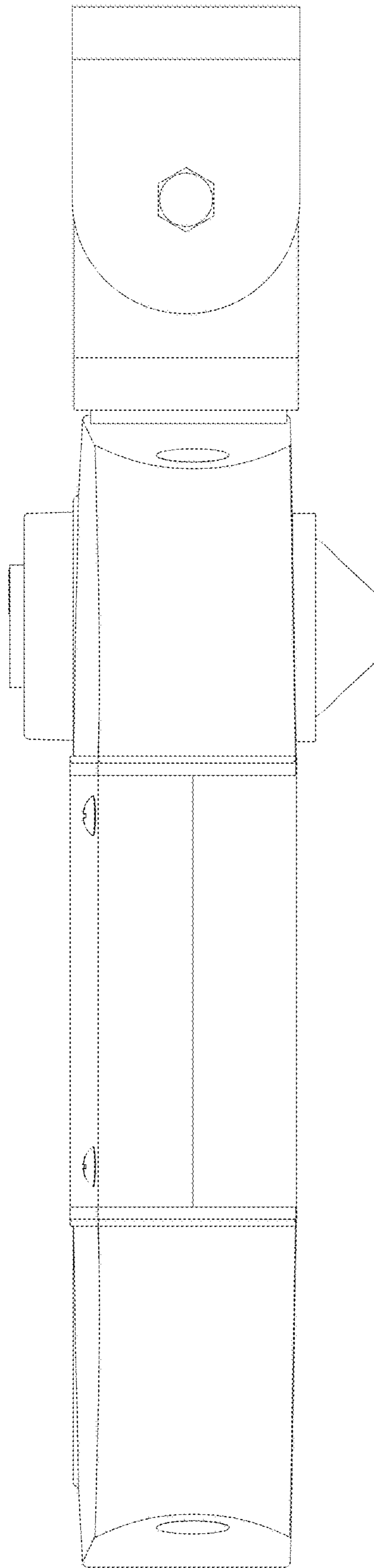


FIGURE 4

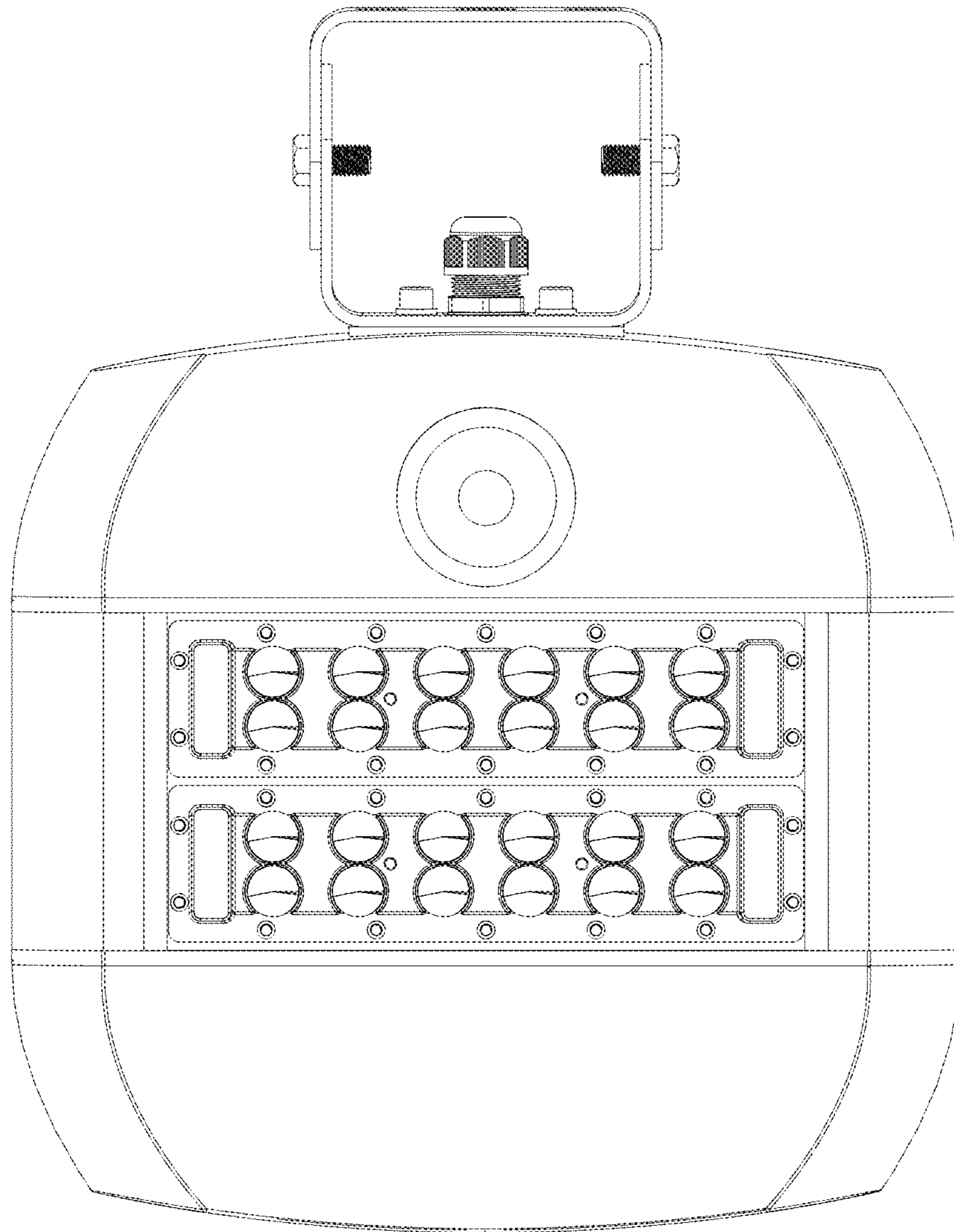


FIGURE 5

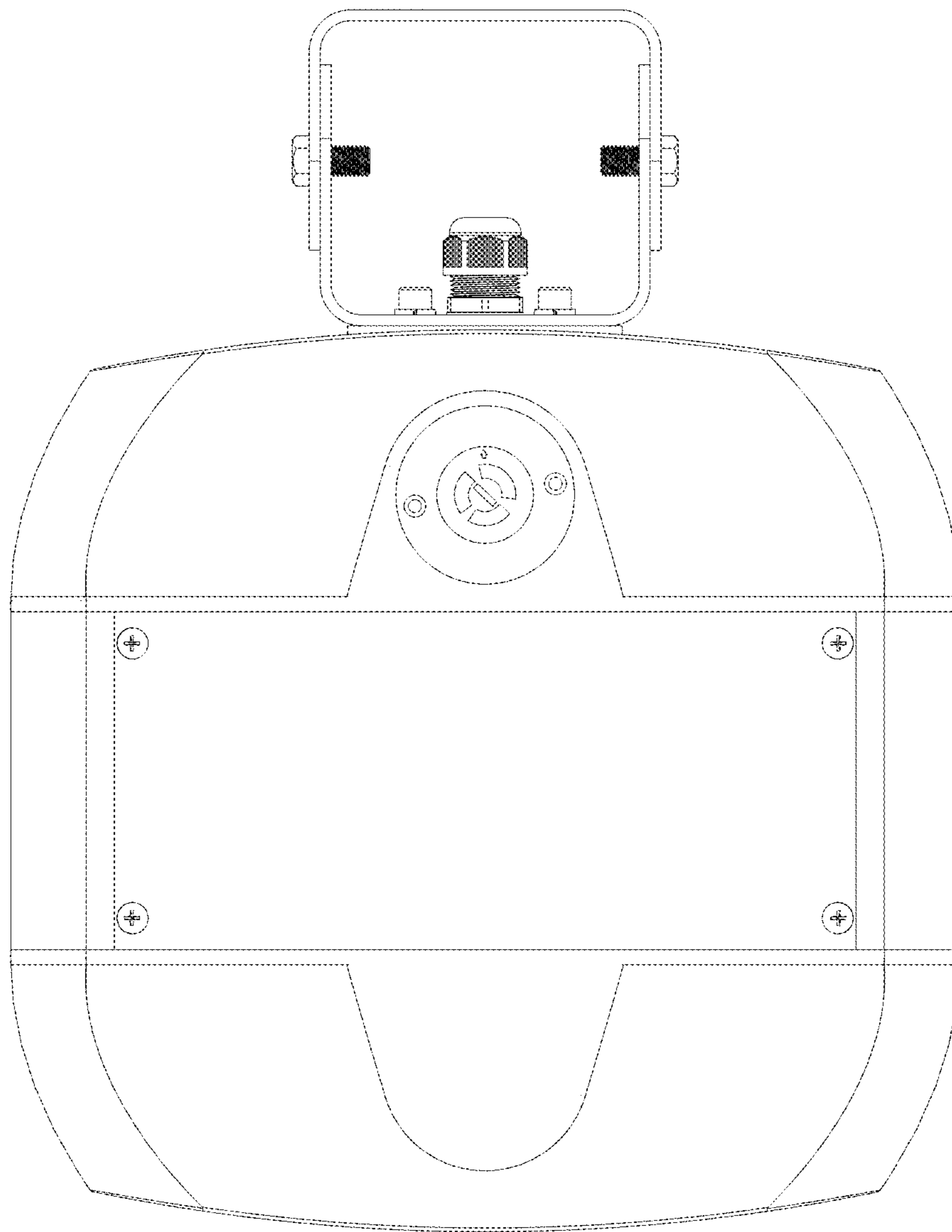


FIGURE 6

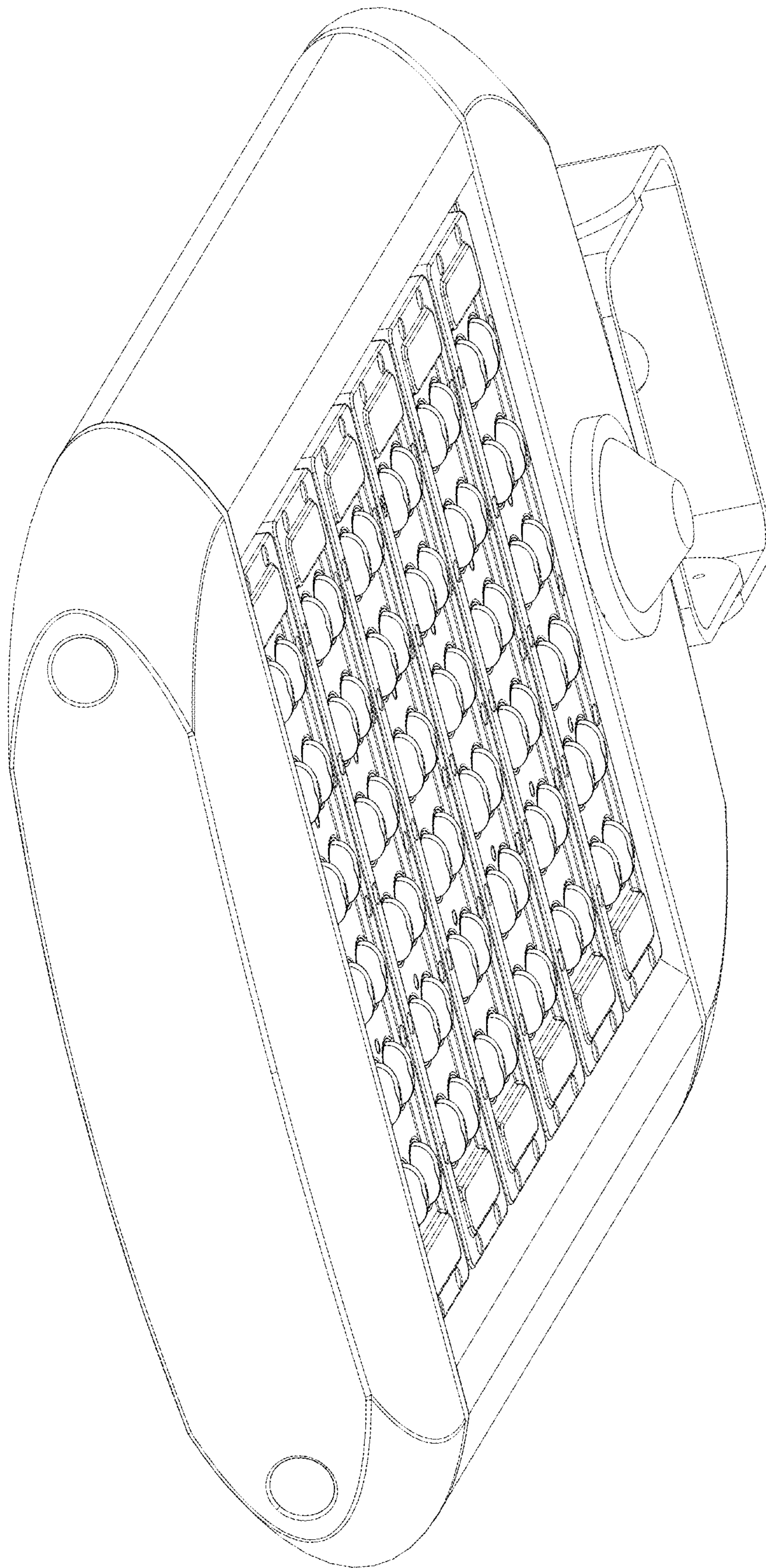


FIGURE 7

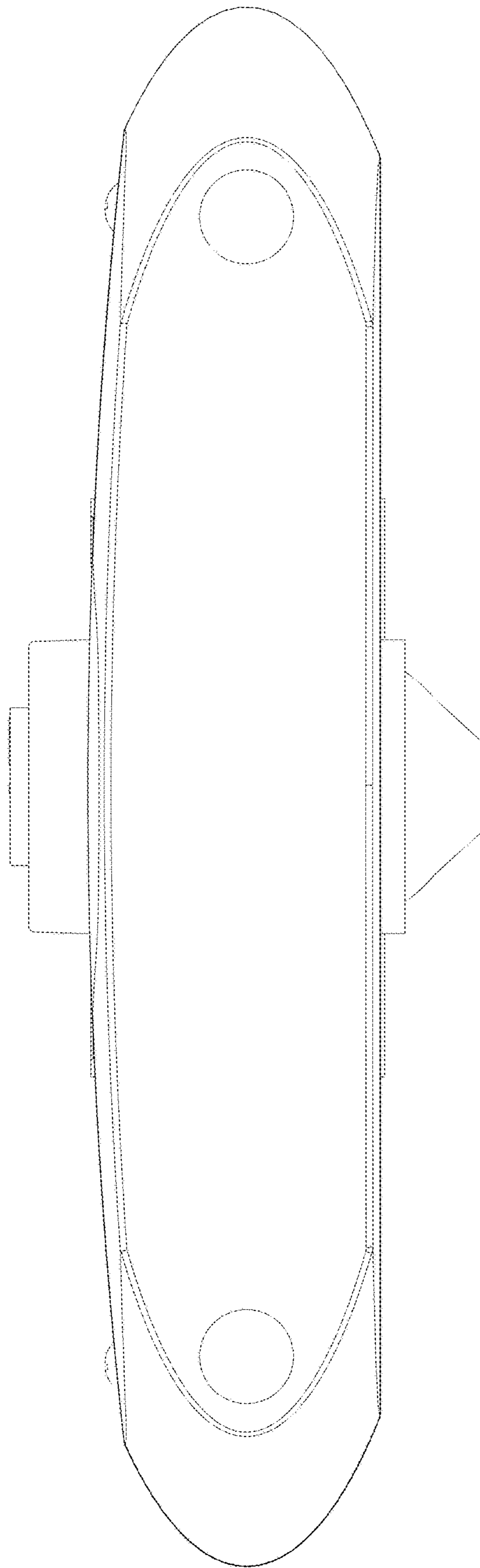


FIGURE 8

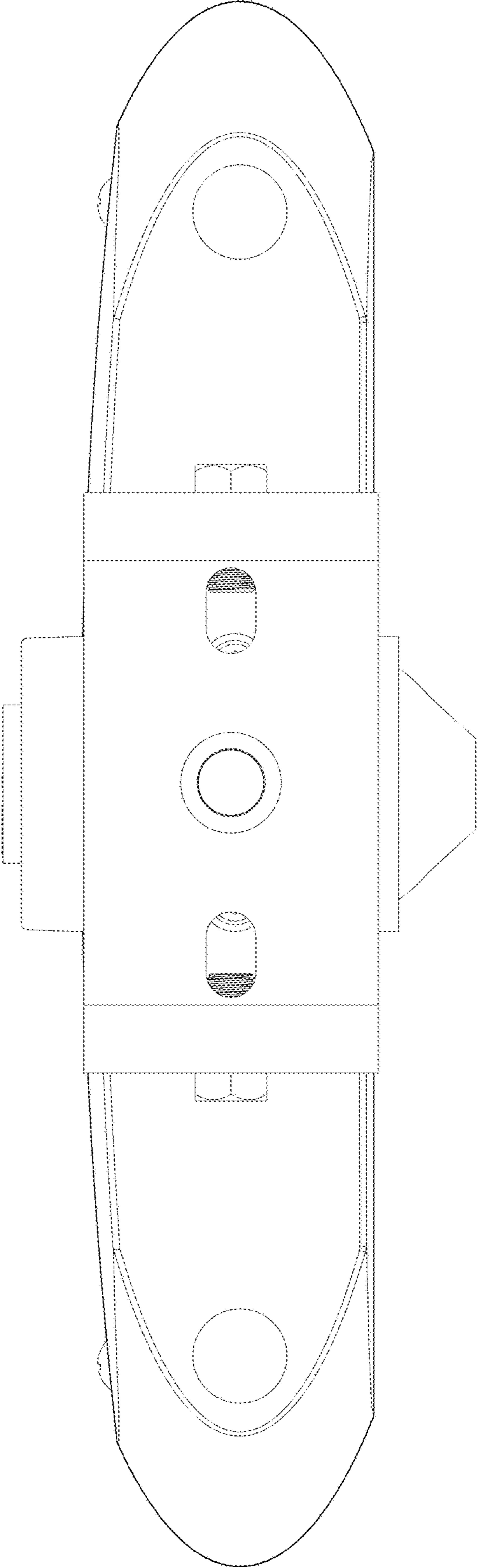


FIGURE 9

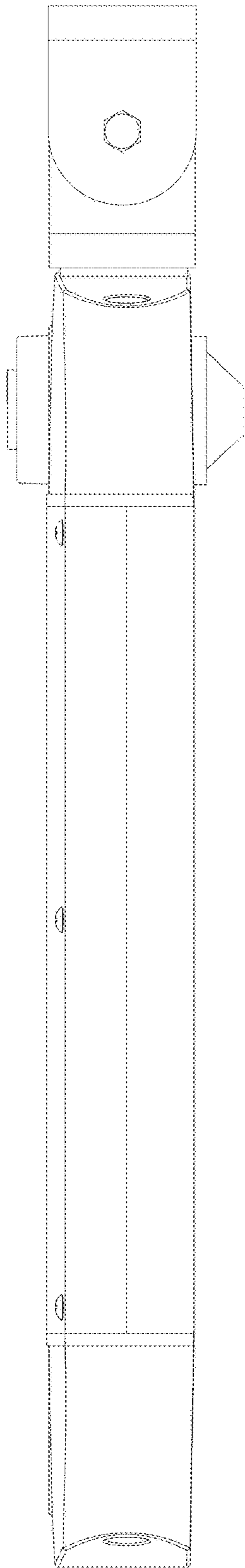


FIGURE 10

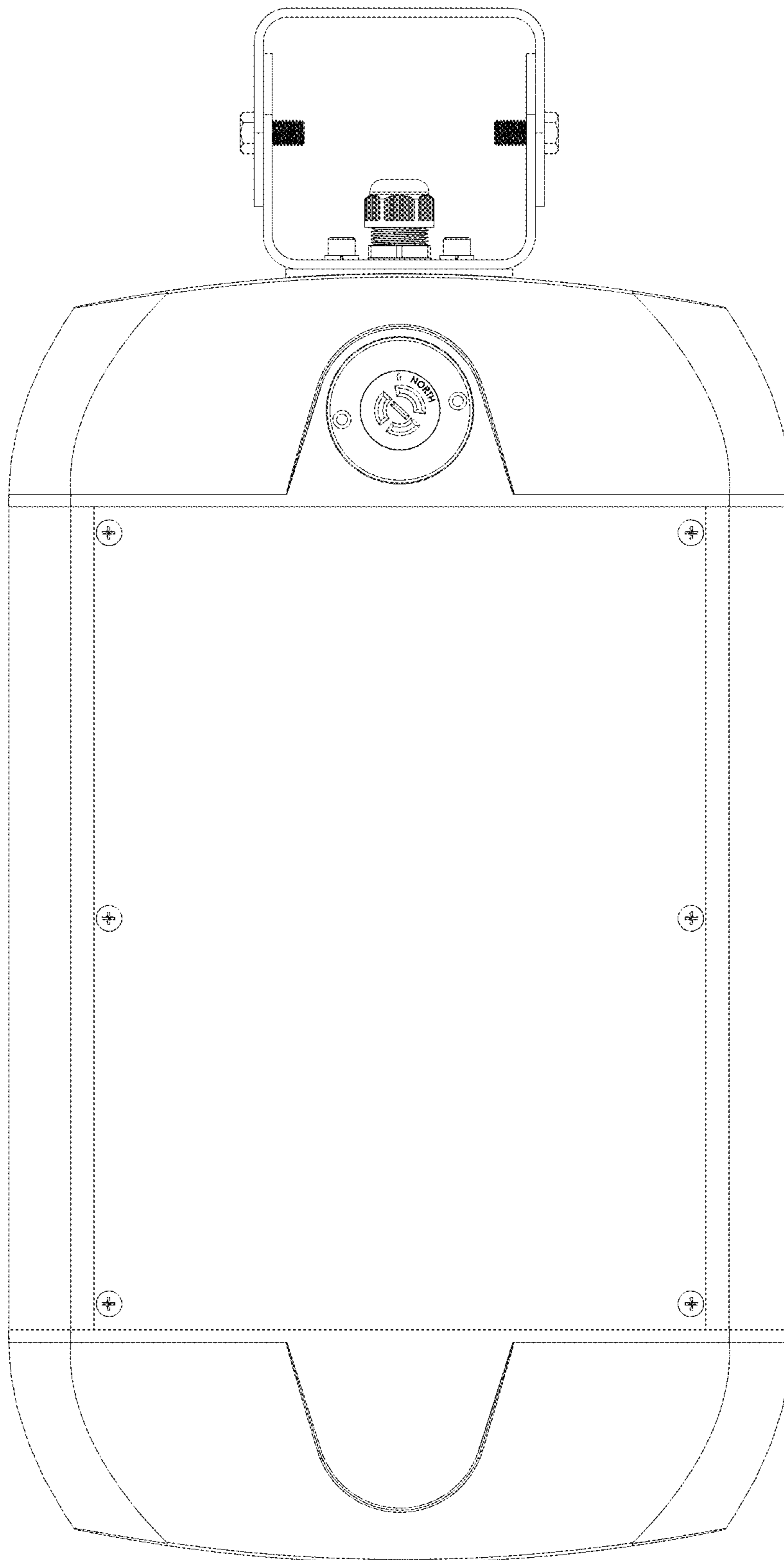


FIGURE 11

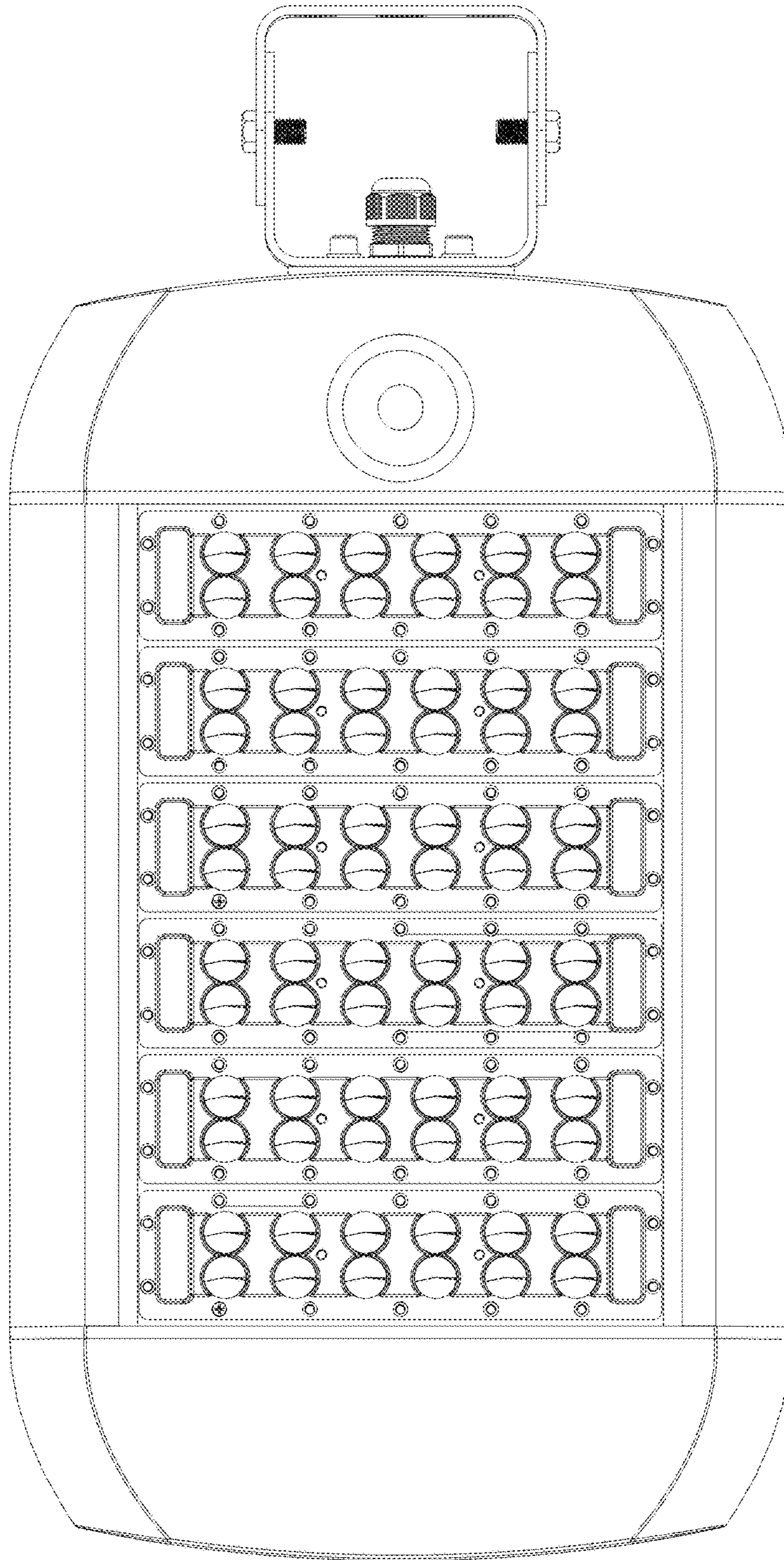


FIGURE 12