



US00D800944S

(12) **United States Design Patent**
Sonneman

(10) **Patent No.:** **US D800,944 S**

(45) **Date of Patent:** **** Oct. 24, 2017**

(54) **PENDANT FOR LIGHT FIXTURE**

(71) Applicant: **Robert A. Sonneman**, Mamaroneck,
NY (US)

(72) Inventor: **Robert A. Sonneman**, Mamaroneck,
NY (US)

(**) Term: **15 Years**

(21) Appl. No.: **29/601,643**

(22) Filed: **Apr. 25, 2017**

(51) **LOC (10) Cl.** **26-03**

(52) **U.S. Cl.**
USPC **D26/88; D26/154**

(58) **Field of Classification Search**
USPC D26/67, 72, 83, 85, 86, 88, 89, 118, 131,
D26/154

CPC F21S 8/06; F21S 8/061; F21S 8/063; F21S
8/065; F21S 8/068; F21V 3/0418; F21V
3/0427; F21V 3/0436; F21V 3/0445;
F21V 21/008; F21V 21/104

See application file for complete search history.

(56) **References Cited**

U.S. PATENT DOCUMENTS

D39,143 S *	2/1908	Ryan et al.	D26/88
1,106,135 A *	8/1914	Dawes	G09F 13/04
				362/363
2,017,075 A *	10/1935	Logan	F21S 13/00
				362/307
2,608,779 A *	9/1952	Joy	F21S 10/00
				362/809
2,629,044 A *	2/1953	Marfisi	G09F 13/00
				181/141
3,336,474 A *	8/1967	Leibl	F21V 31/005
				248/343
3,379,872 A *	4/1968	Devine, Jr.	F21S 8/088
				362/443
D218,474 S *	8/1970	Devine, Jr.	D26/131
3,593,020 A *	7/1971	Donato	F21S 8/088
				248/318

D556,361 S *	11/2007	Arbel	D26/88
D645,605 S *	9/2011	Watanabe	D26/120
8,348,482 B1 *	1/2013	Arbel	F21S 8/063
				362/362
D711,579 S *	8/2014	Watanabe	D26/138
2002/0085392 A1 *	7/2002	Hajianpour	F21S 9/02
				362/562

(Continued)

OTHER PUBLICATIONS

Champagne Bubbles LED Pendant No. 2961 from son-
nemanawayofflight.com, available as early as Oct. 20, 2016. (2
pages).*

(Continued)

Primary Examiner — Clare E Heflin

(74) *Attorney, Agent, or Firm* — Gottlieb, Rackman &
Reisman, P.C.

(57) **CLAIM**

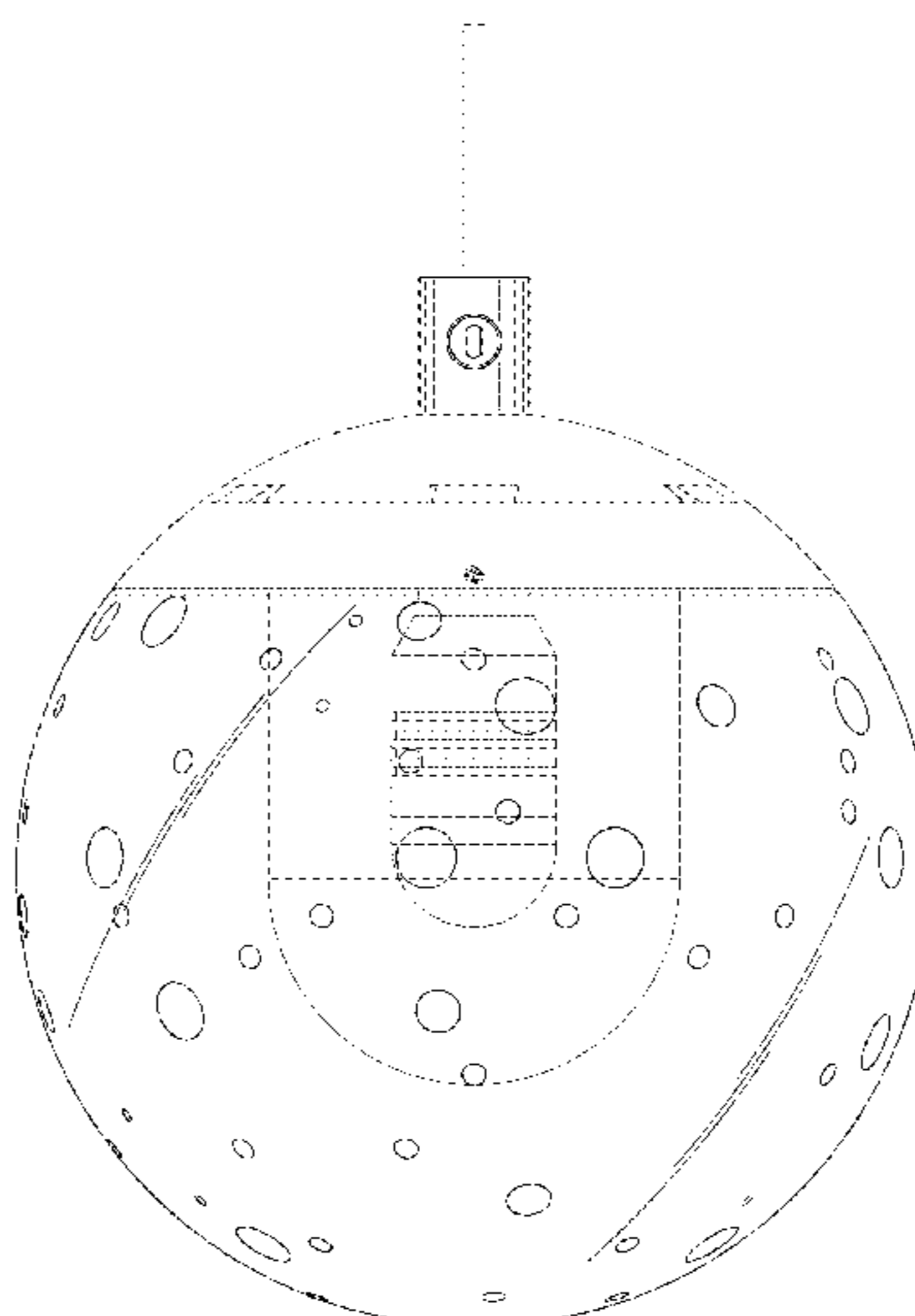
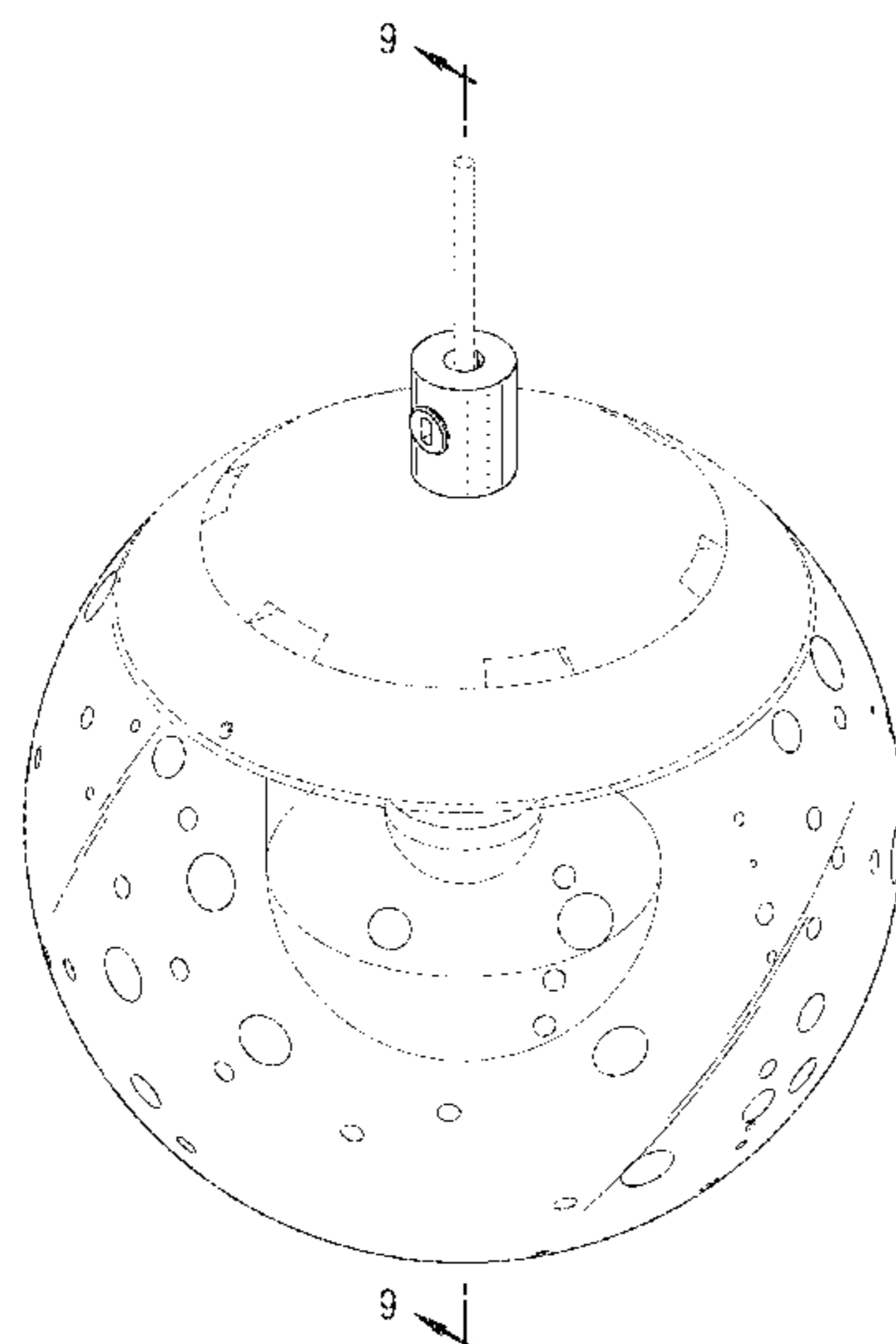
The ornamental design for a pendant for a light fixture, as
shown and described.

DESCRIPTION

FIG. 1 is a top front perspective view of the pendant for a
light fixture showing my new design;
FIG. 2 is a bottom front perspective view thereof;
FIG. 3 is a front elevational view thereof;
FIG. 4 is rear elevational view thereof;
FIG. 5 is a left side elevational view thereof;
FIG. 6 is a right side elevational view thereof;
FIG. 7 is a top plan view thereof;
FIG. 8 is a bottom plan view thereof; and,
FIG. 9 is a cross-sectional view thereof, along line 9-9 of
FIG. 1.

The broken lines shown in the drawings are included for the
purpose of illustrating portions of the article that form no
part of the claimed design.

1 Claim, 9 Drawing Sheets



(56)

References Cited

U.S. PATENT DOCUMENTS

2003/0223238 A1* 12/2003 Hsu F21V 3/04
362/255
2004/0233660 A1* 11/2004 Hsu F04D 25/088
362/96

OTHER PUBLICATIONS

Possini Euro Wired Glass and Chrome Chandelier. Available at amazon.com as early as Jun. 14, 2014. (4 pages).*

SanKD DIY Meteor Bubble Crystal Chandelier. Available at amazon.com as early as May 6, 2016. (4 pages).*

ET2 Contemporary Lighting Orb-1 Pendant © 2014.*

* cited by examiner

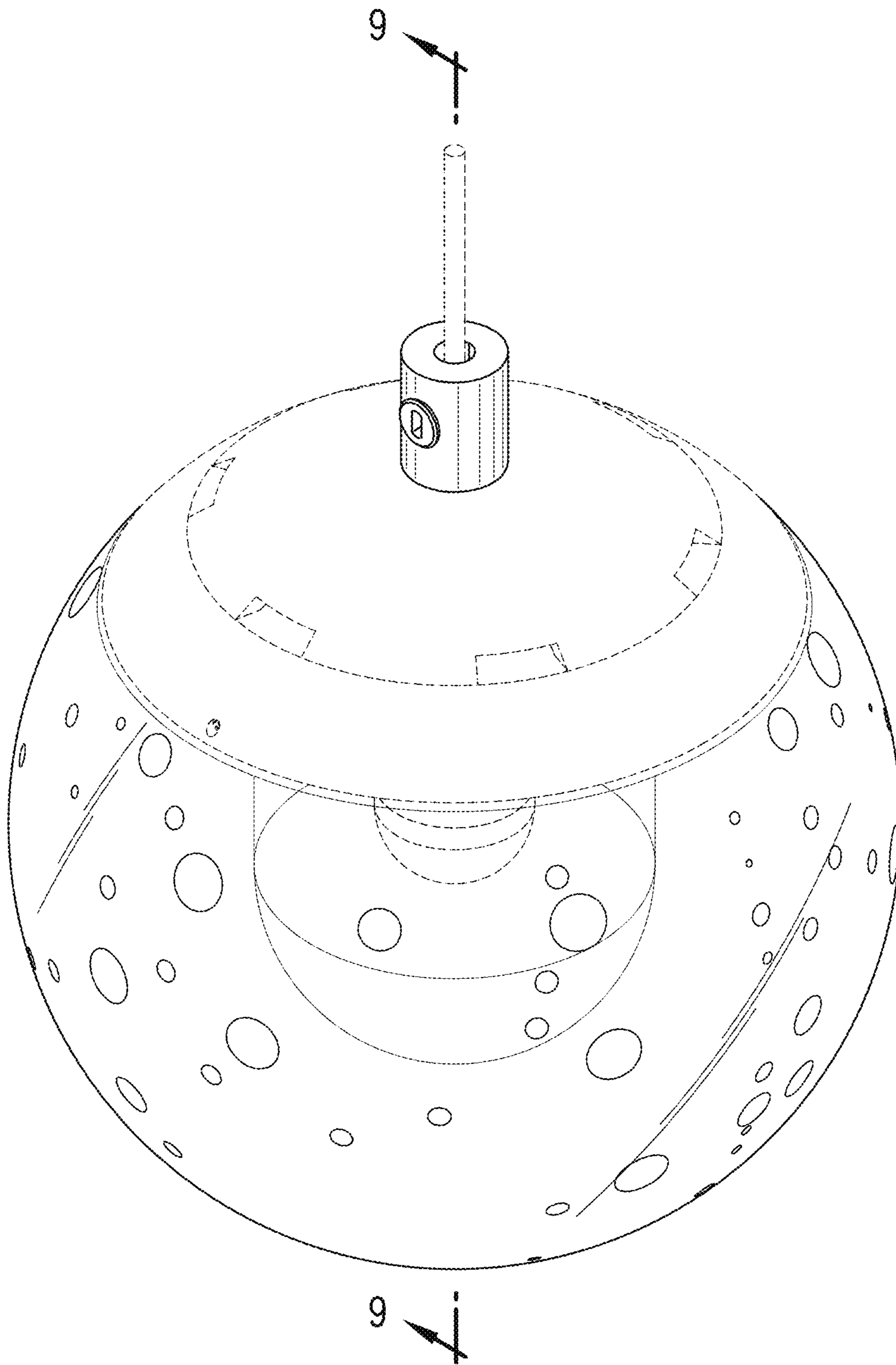


FIG. 1

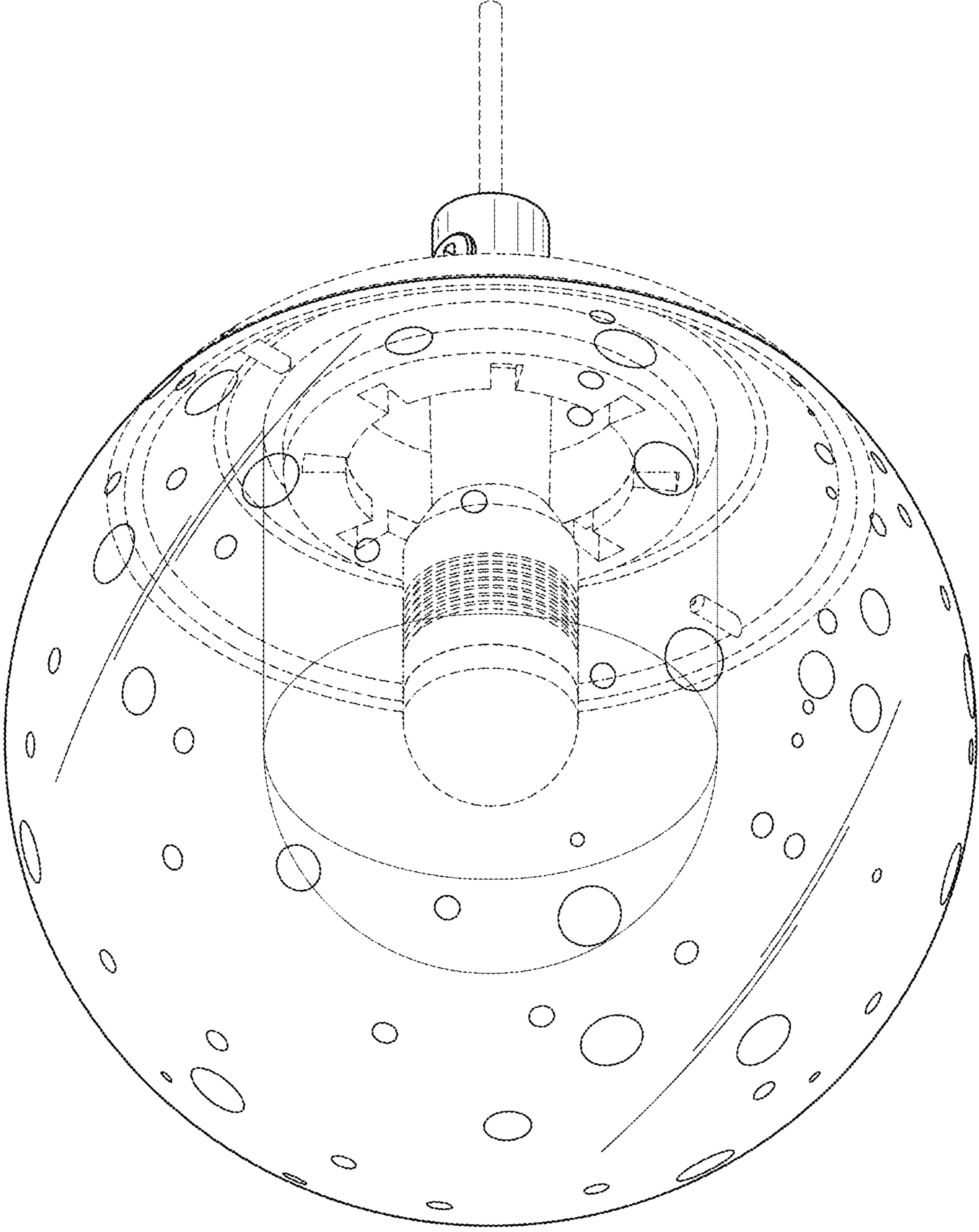


FIG.2

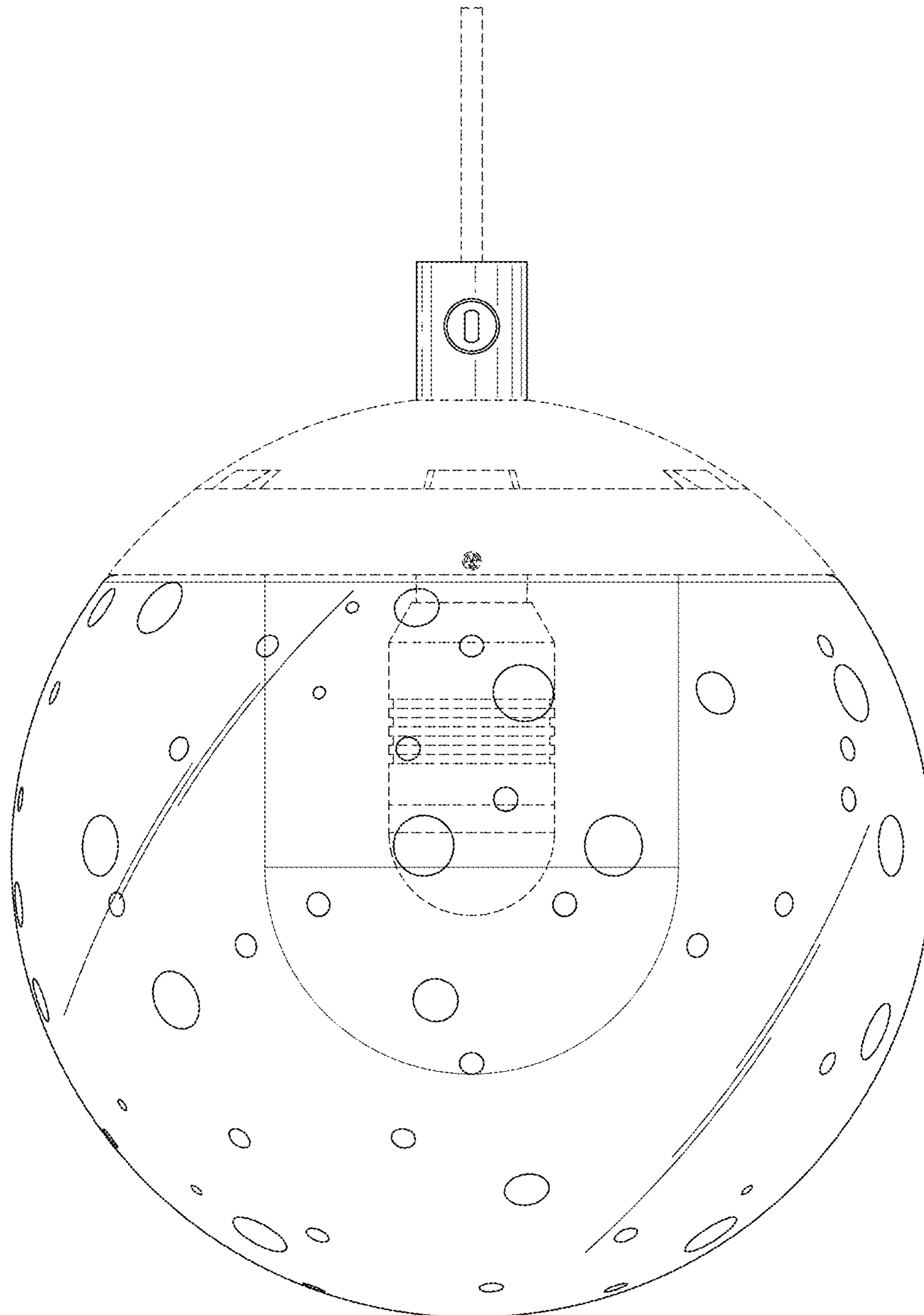


FIG. 3

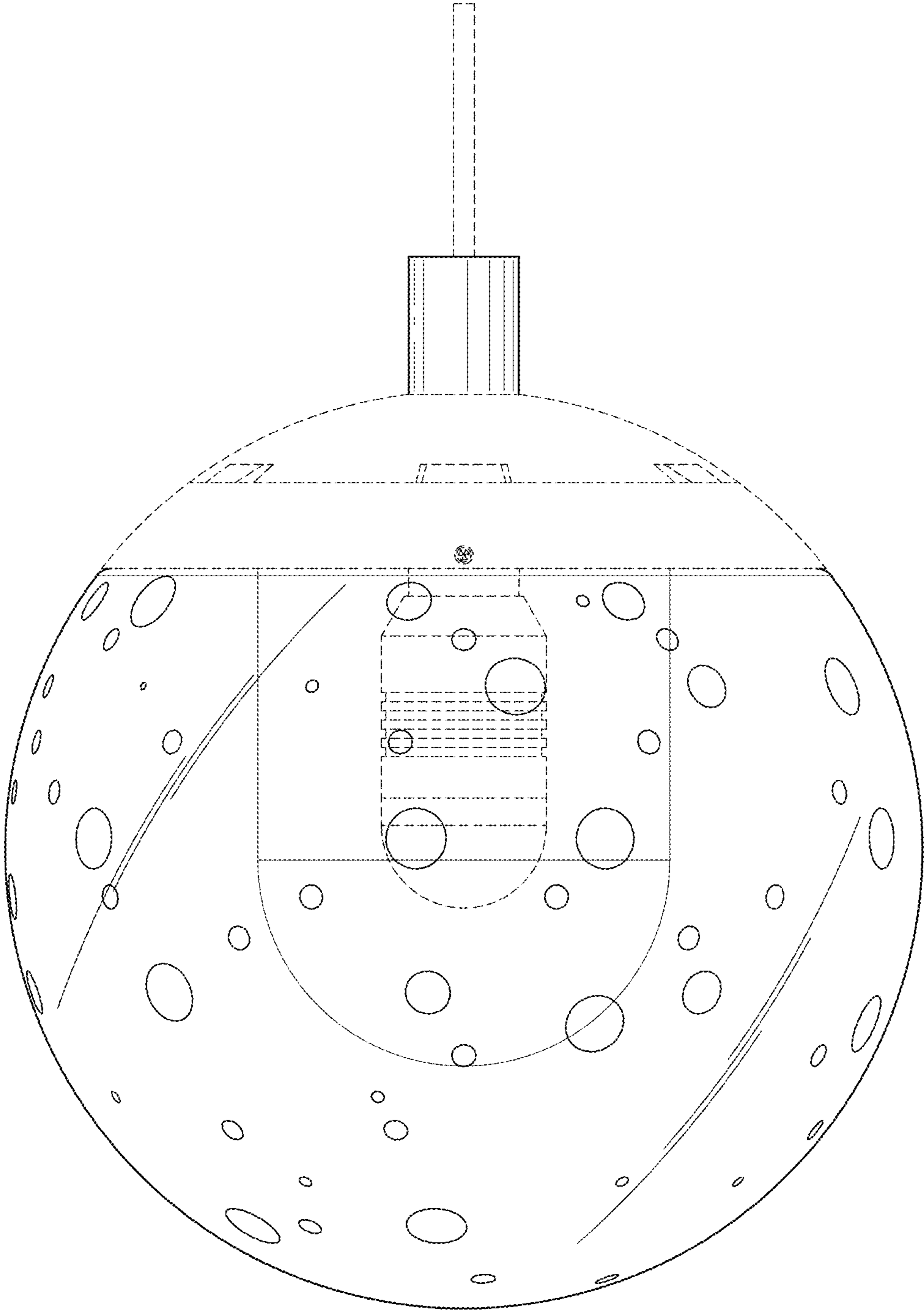


FIG.4

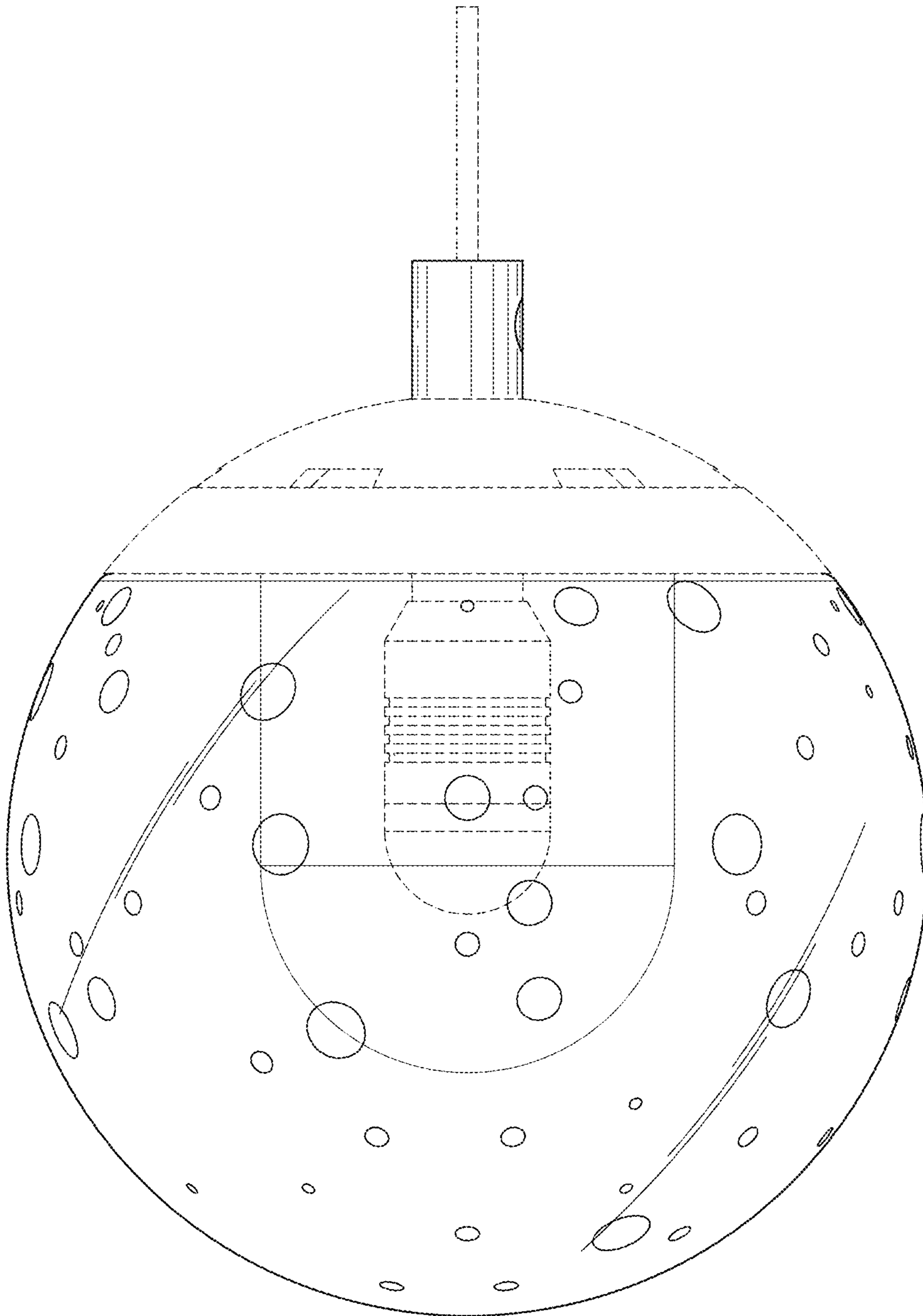


FIG. 5

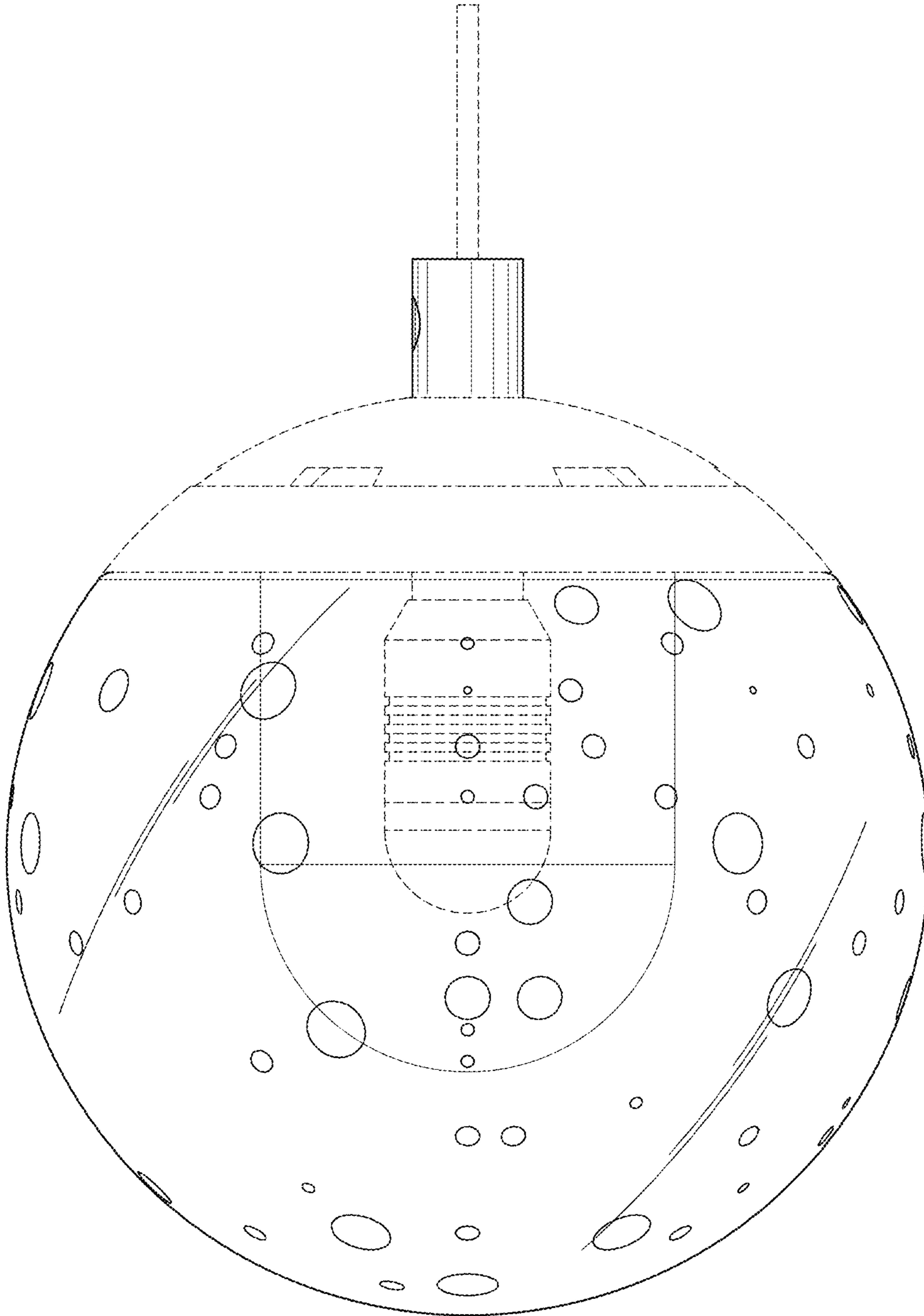


FIG. 6

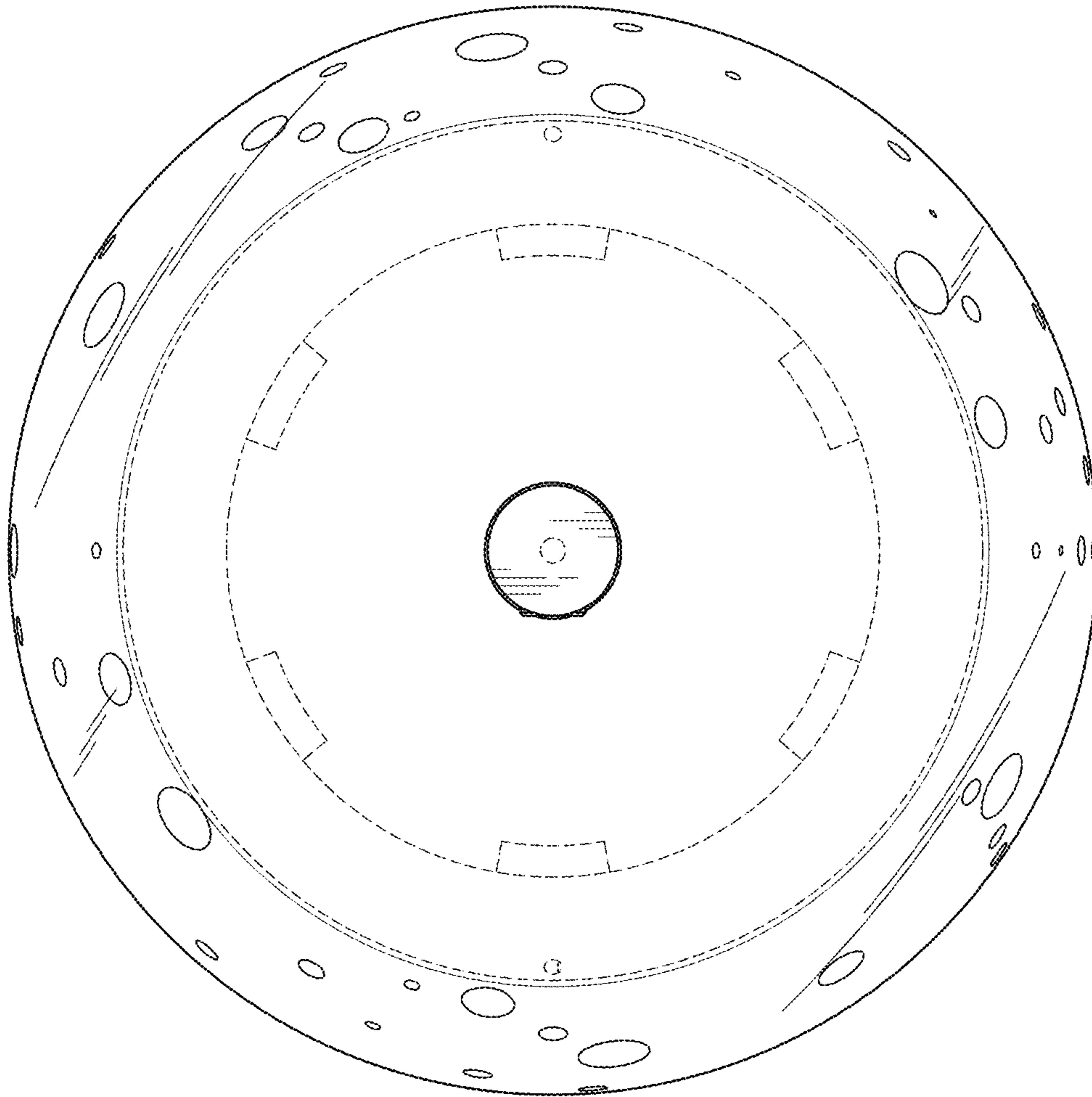


FIG. 7

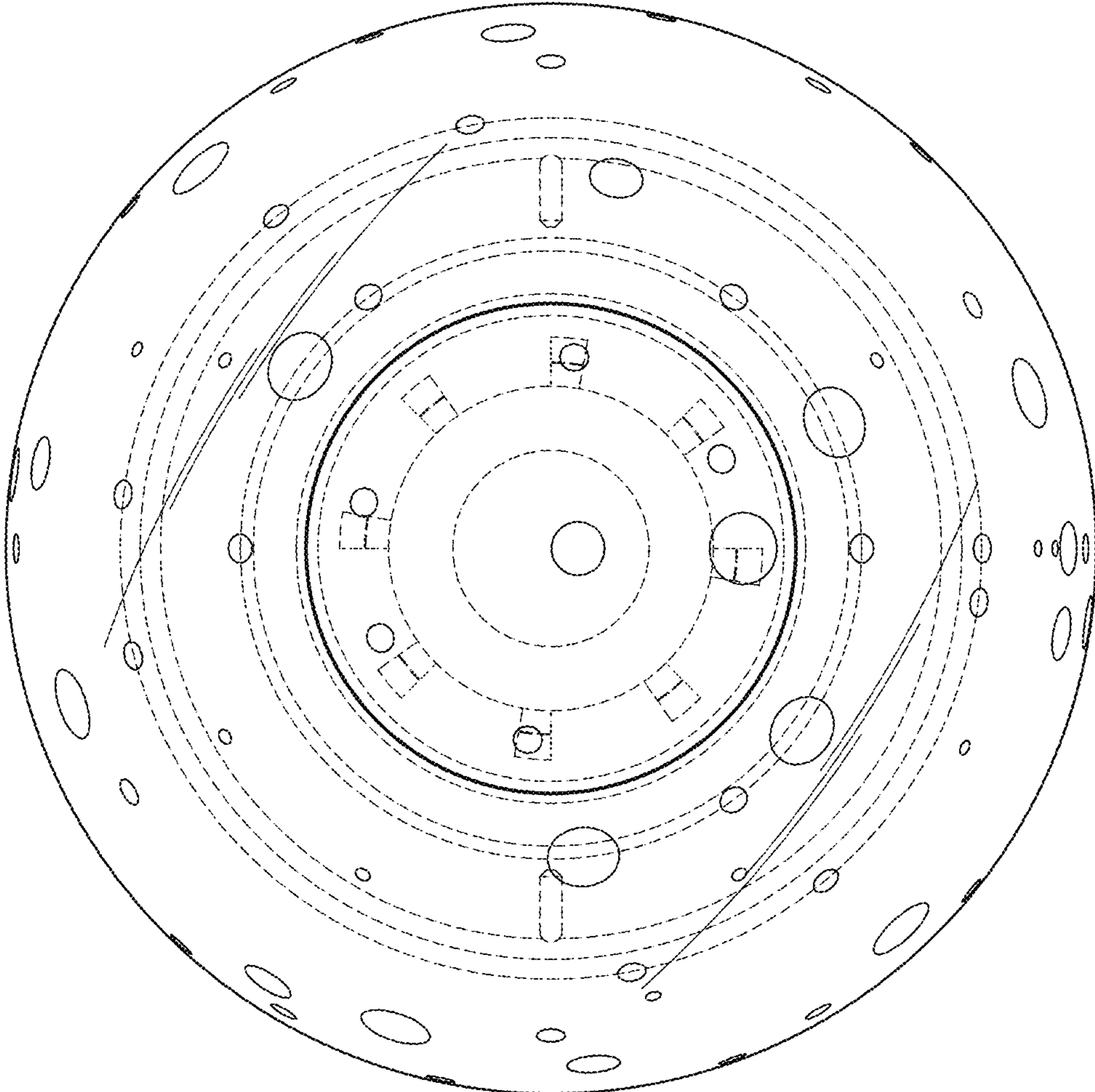


FIG.8

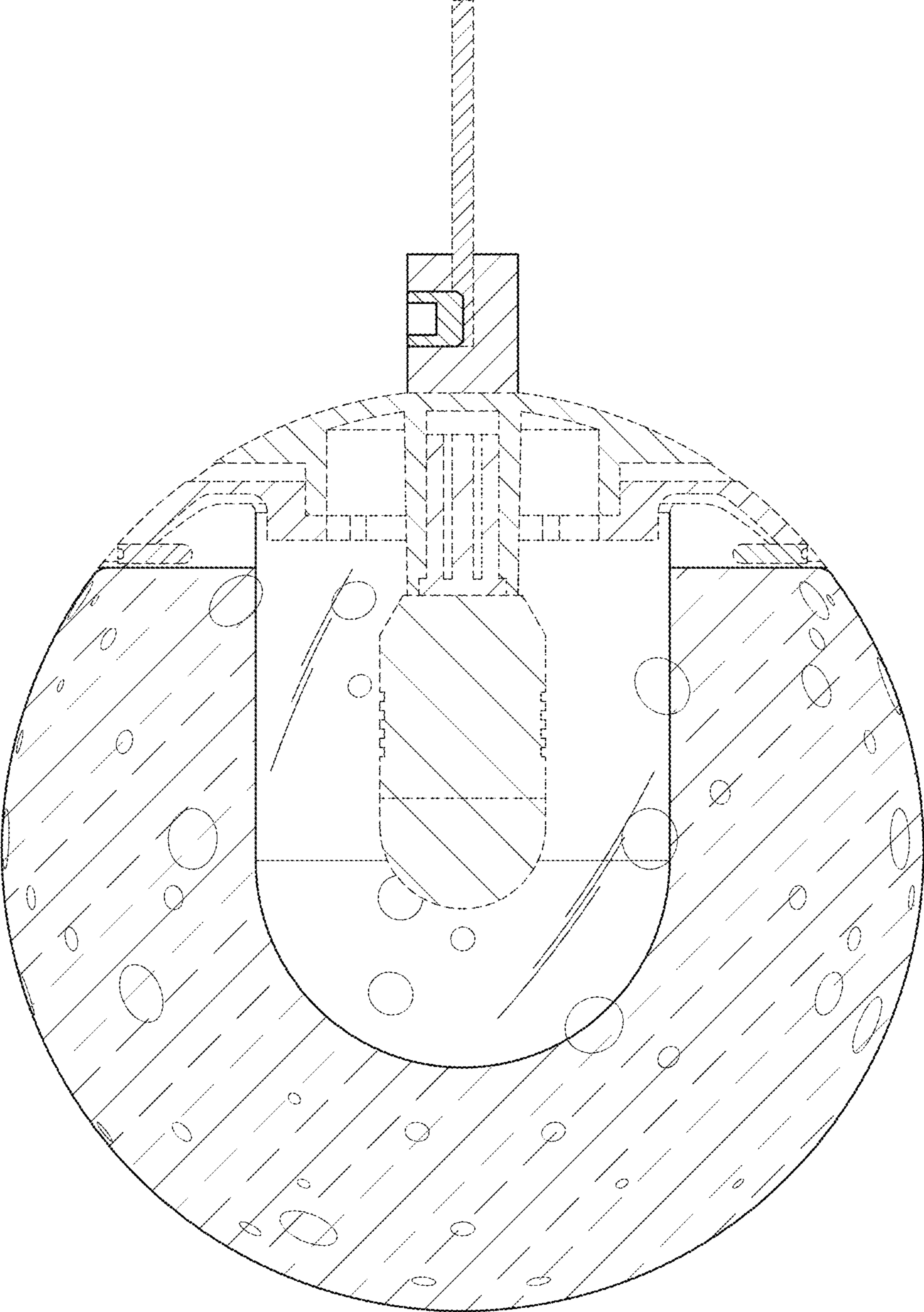


FIG. 9