



US00D800940S

(12) **United States Design Patent**  
**Guzzini**

(10) **Patent No.:** **US D800,940 S**

(45) **Date of Patent:** **\*\* Oct. 24, 2017**

(54) **LAMP FOR OUTDOOR USE**

(71) Applicant: **Iguzzini Illuminazione S.P.A.**, Recanati (IT)

(72) Inventor: **Adolfo Guzzini**, Recanati (IT)

(73) Assignee: **Iguzzini Illuminazione S.P.A.**, Recanati (IT)

(\*\*) Term: **15 Years**

(21) Appl. No.: **29/542,211**

(22) Filed: **Oct. 12, 2015**

(30) **Foreign Application Priority Data**

Apr. 10, 2015 (EM) ..... 002679282-0050

(51) **LOC (10) Cl.** ..... **26-05**

(52) **U.S. Cl.**  
USPC ..... **D26/67; D26/70**

(58) **Field of Classification Search**  
USPC ..... D26/67, 68, 69, 70, 110, 104  
CPC .... F21S 6/004; F21S 8/032; F21S 8/08; F21S 8/081; F21S 8/083; F21S 8/085; F21S 8/088; F21S 9/037; F21W 2131/10; F21W 2131/109

See application file for complete search history.

(56) **References Cited**

**U.S. PATENT DOCUMENTS**

D196,981 S \* 11/1963 Pettengill ..... D26/67  
D197,381 S \* 1/1964 Miller ..... D26/67  
D201,515 S \* 6/1965 Pettengill ..... D26/67  
3,339,065 A \* 8/1967 Kelley, Jr. .... F21S 8/088  
362/363  
3,482,087 A \* 12/1969 Kelley, Jr. .... F21S 8/088  
362/311.06

D218,985 S \* 10/1970 Anderson, Jr. .... D26/67  
5,134,550 A \* 7/1992 Young ..... F21S 8/088  
362/298  
D338,080 S \* 8/1993 Elazari ..... D26/68  
D517,717 S \* 3/2006 Sanoner ..... D26/68  
D517,719 S \* 3/2006 Sanoner ..... D26/68  
D574,103 S \* 7/2008 Minami ..... D26/67  
D574,537 S \* 8/2008 Sanoner ..... D26/67  
D614,789 S \* 4/2010 van Klinken ..... D26/67  
D615,682 S \* 5/2010 van Klinken ..... D26/67  
D621,532 S \* 8/2010 van Klinken ..... D26/2  
D698,064 S \* 1/2014 Macura ..... D26/68  
8,684,564 B2 \* 4/2014 Shen ..... F21V 3/00  
257/714  
D739,589 S \* 9/2015 Macura ..... D26/67  
D740,990 S \* 10/2015 Tortel ..... D26/67  
2006/0044789 A1 \* 3/2006 Curtis ..... F21S 8/088  
362/152

\* cited by examiner

*Primary Examiner* — Clare E Heflin

(74) *Attorney, Agent, or Firm* — Stetina Brunda Garred & Brucker

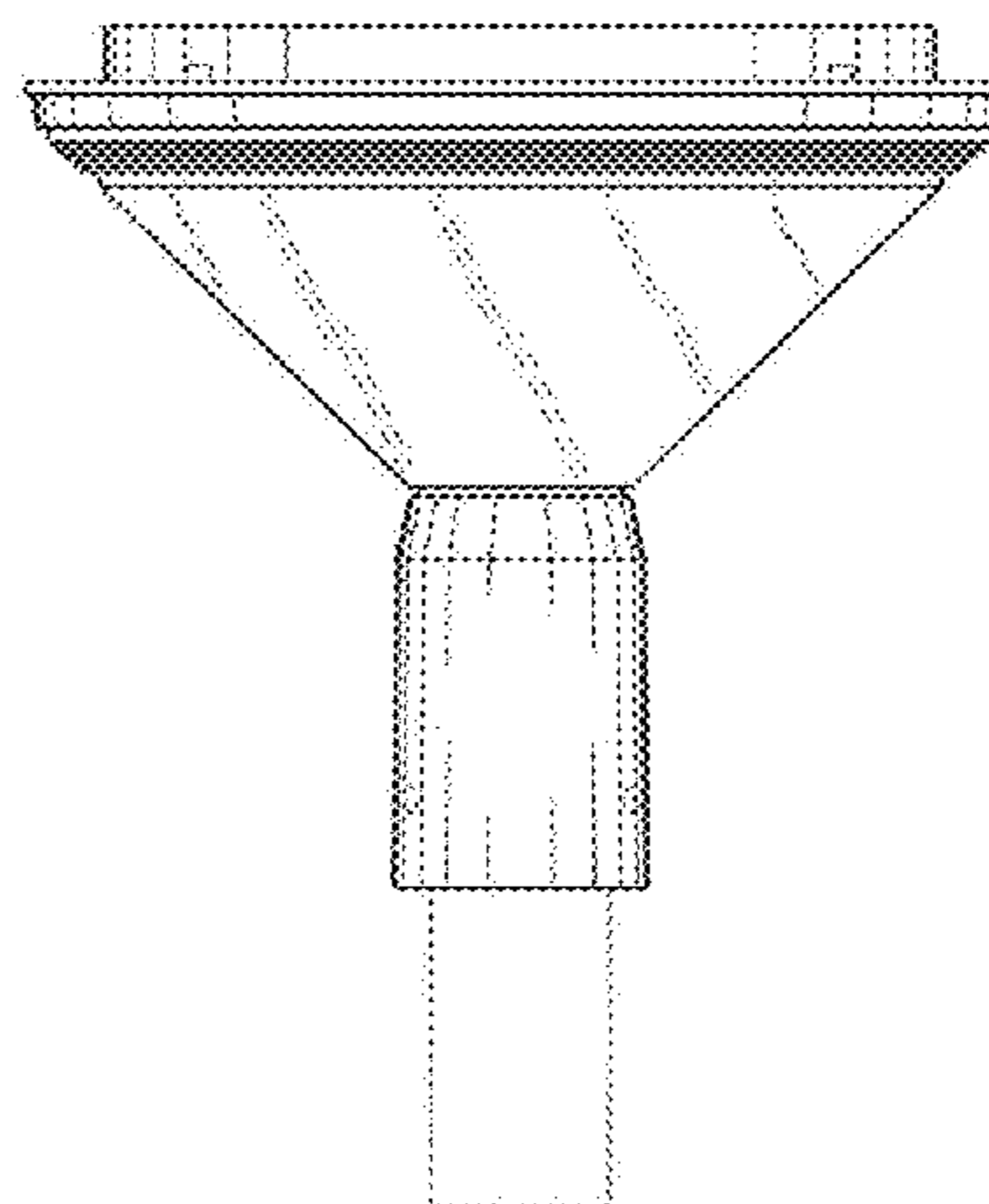
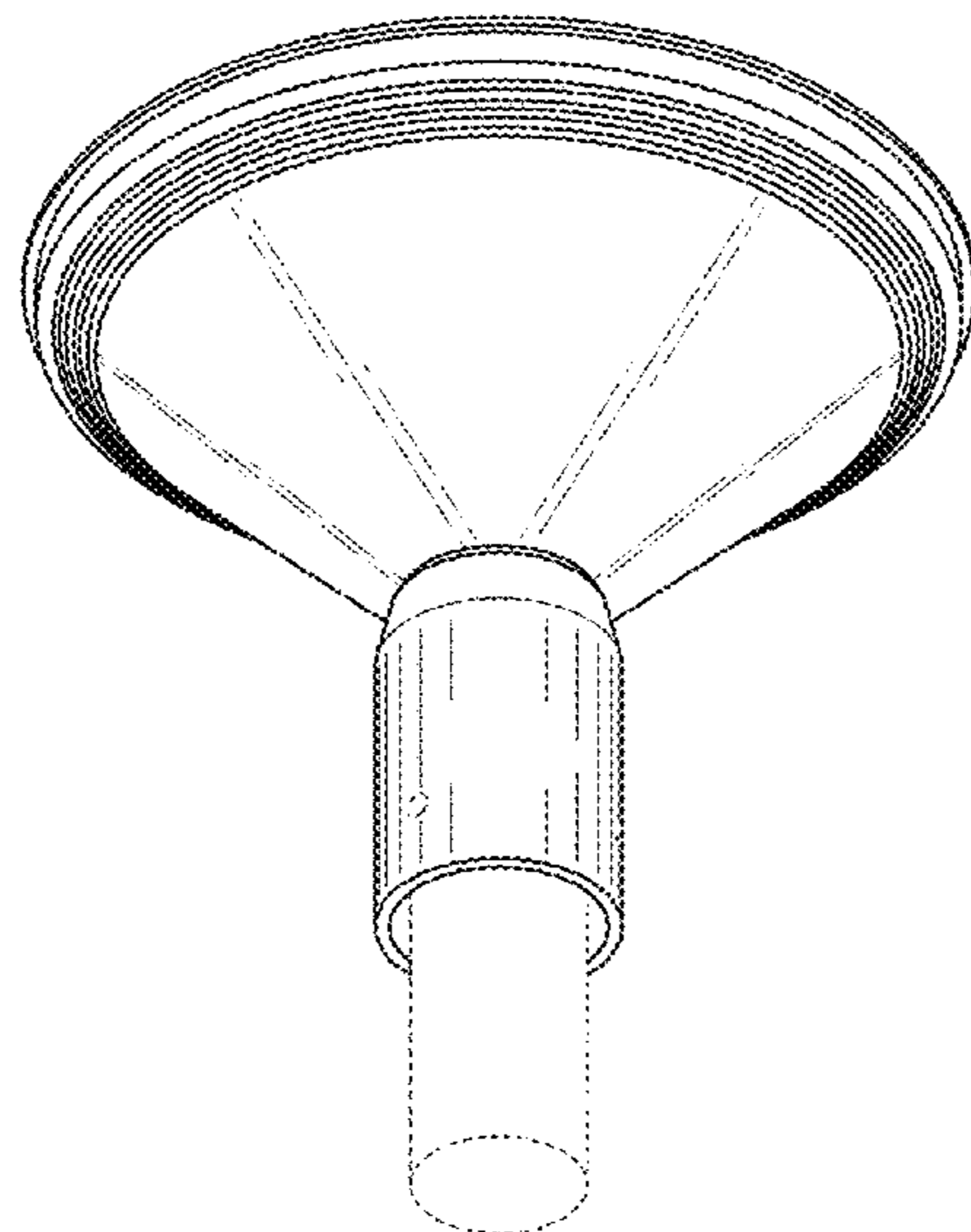
(57) **CLAIM**

The ornamental design for a lamp for outdoor use, as shown and described.

**DESCRIPTION**

FIG. 1 is a front perspective view of the lamp for outdoor use of the present invention showing my new design, with the dotted lines depicting environmental structure and forming no part of the claimed design;  
FIG. 2 is a front view thereof;  
FIG. 3 is a right view thereof;  
FIG. 4 is a left view thereof;  
FIG. 5 is a back view thereof;  
FIG. 6 is a top view thereof; and,  
FIG. 7 is a bottom view thereof.

**1 Claim, 7 Drawing Sheets**



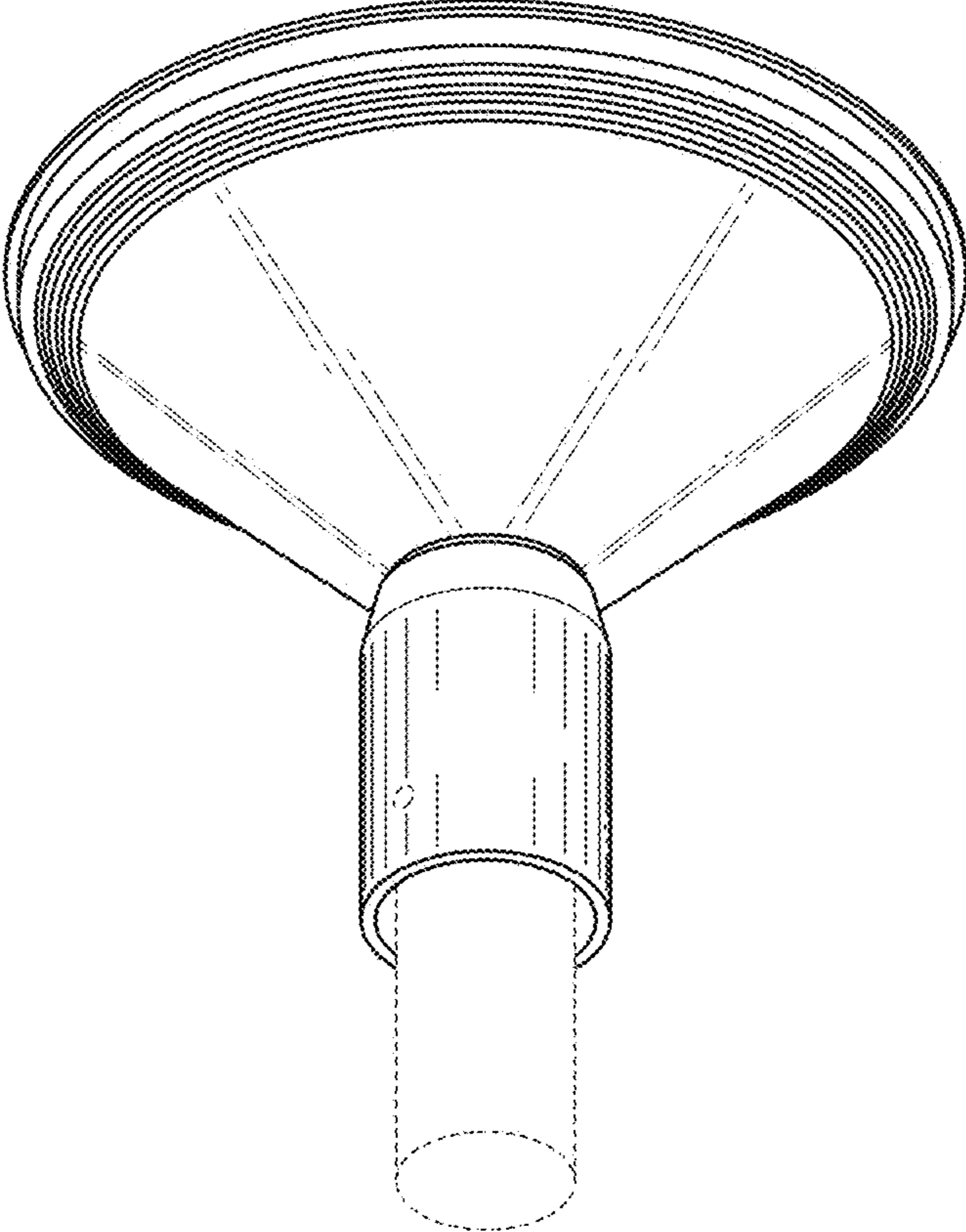


Fig. 1

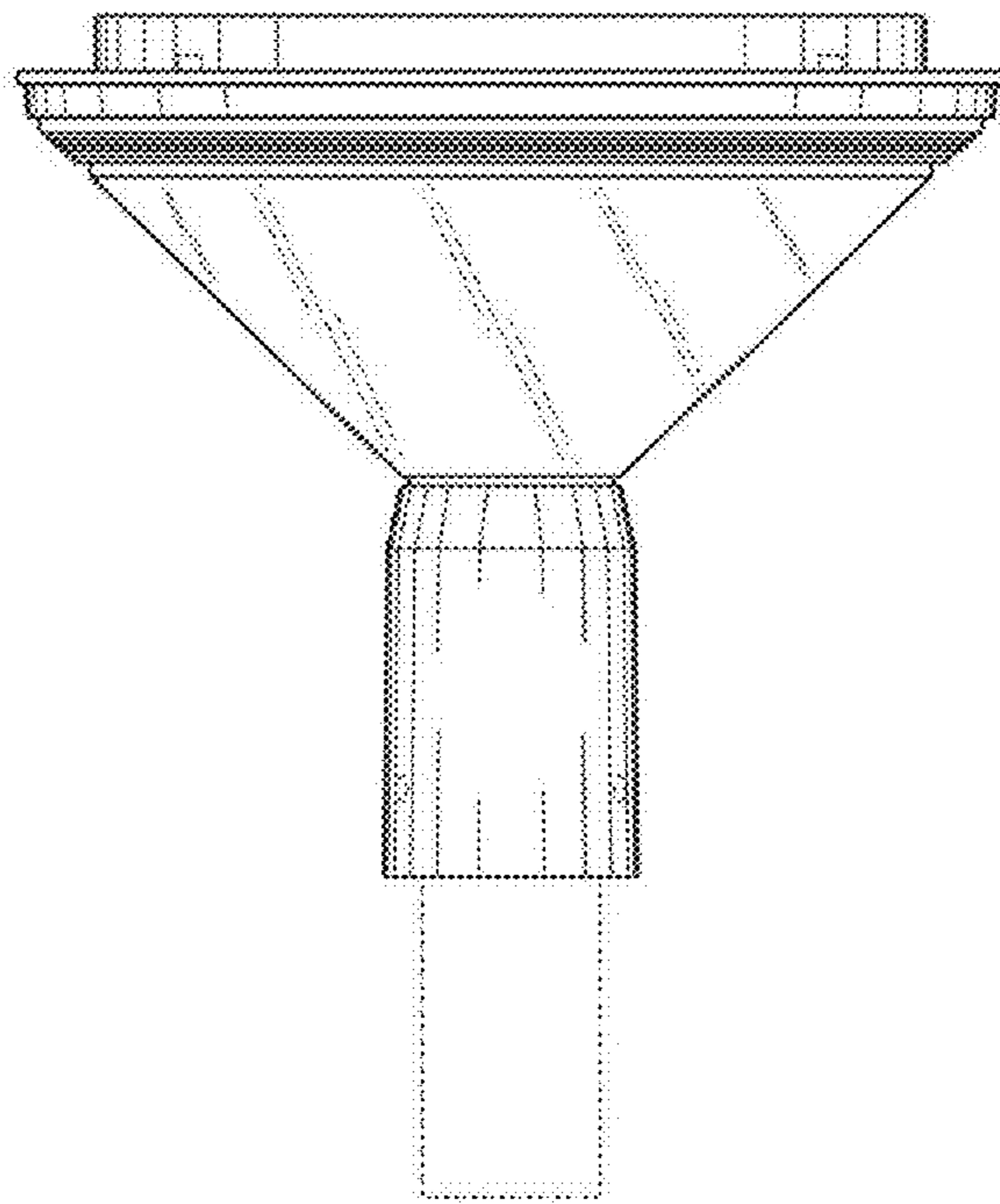


Fig. 2

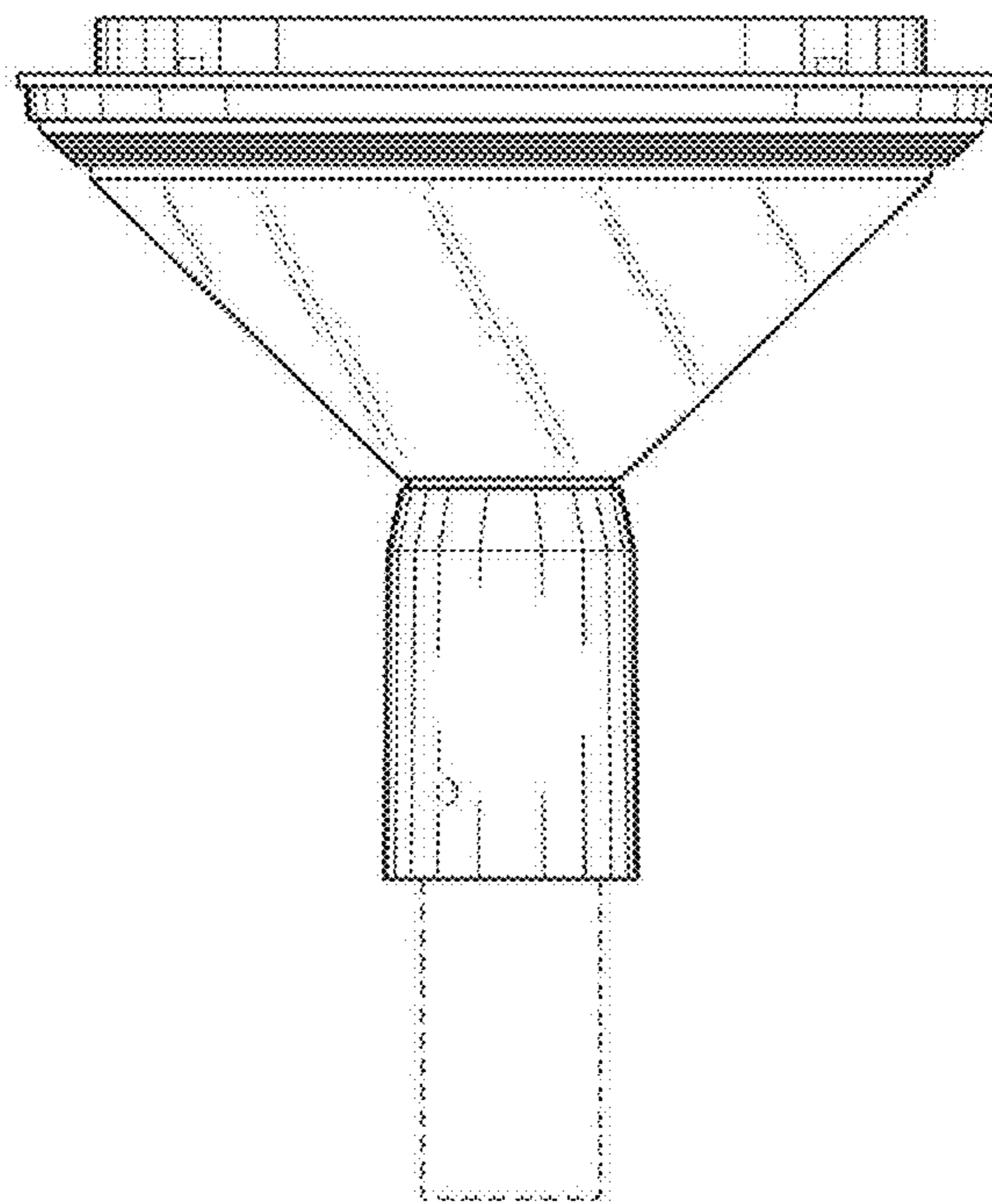


Fig. 3

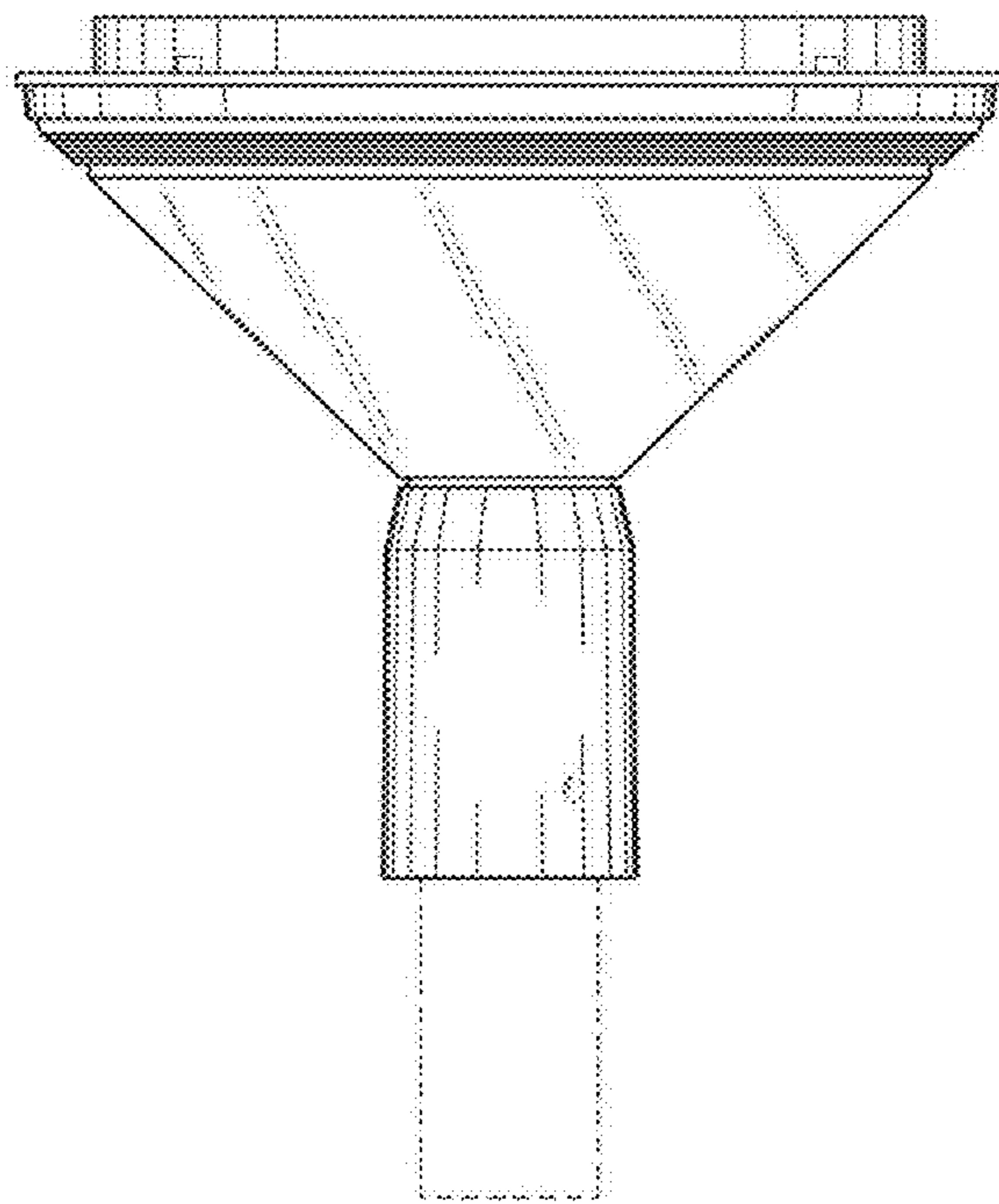


Fig. 4

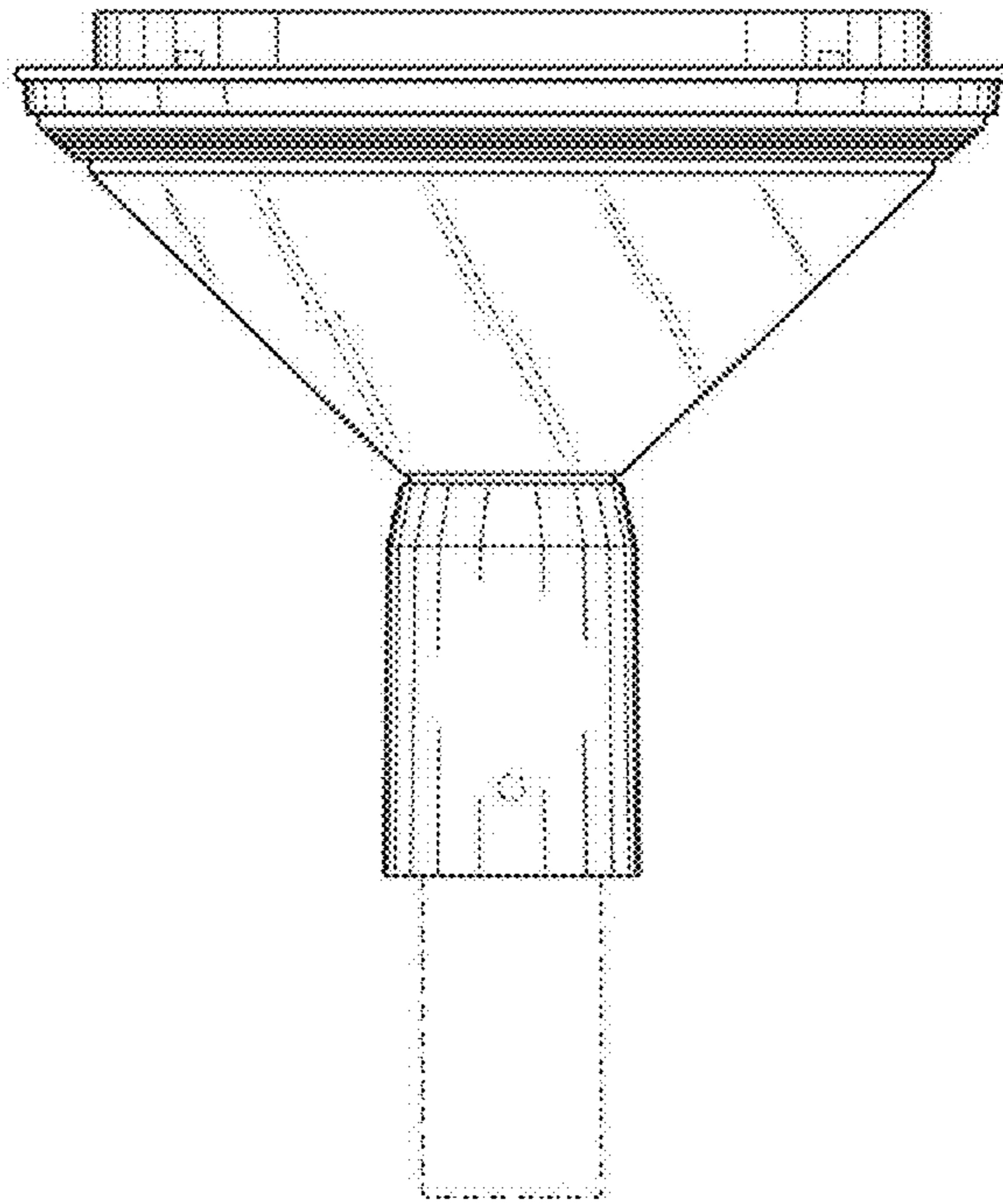


Fig. 5

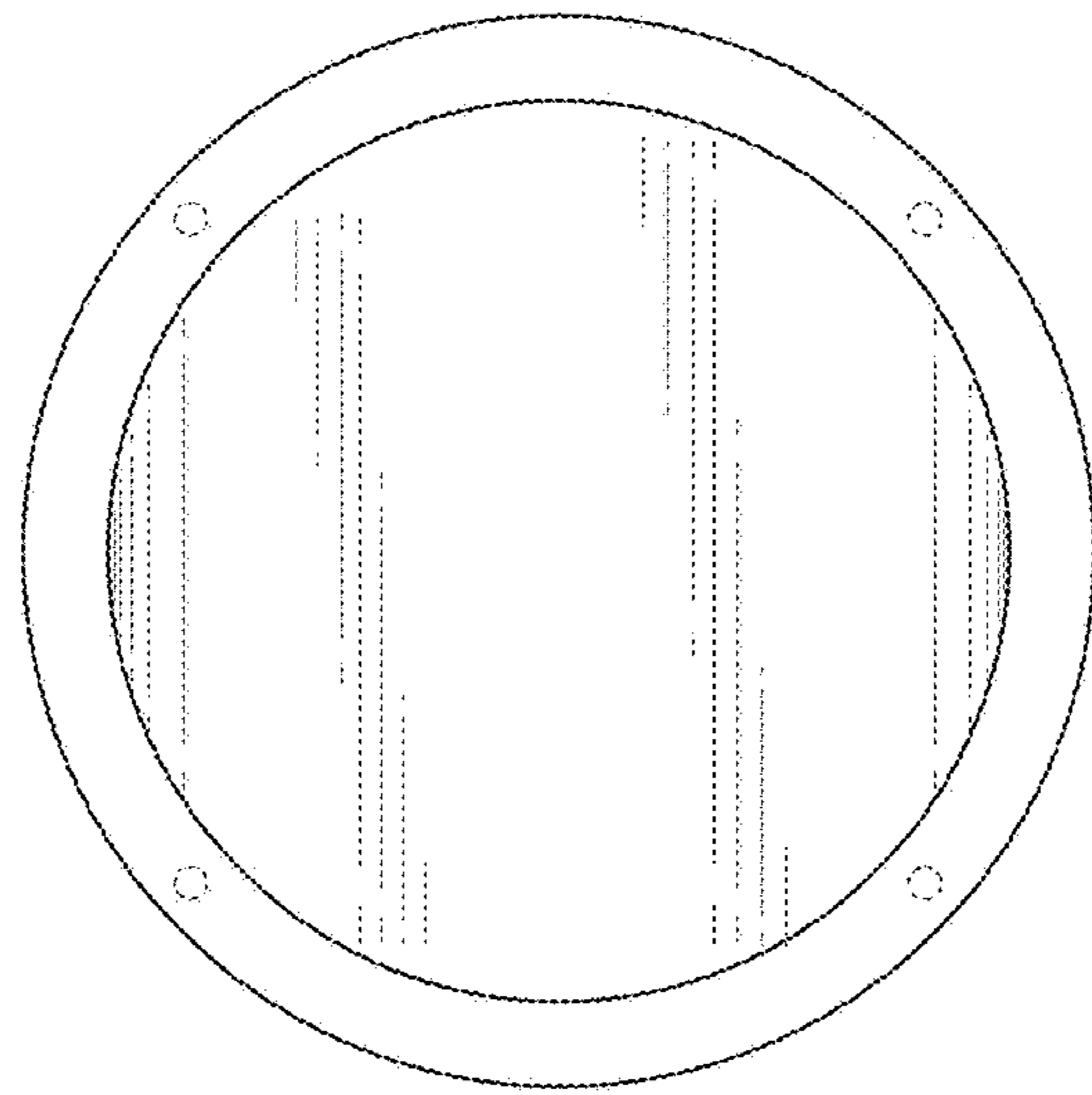


Fig. 6

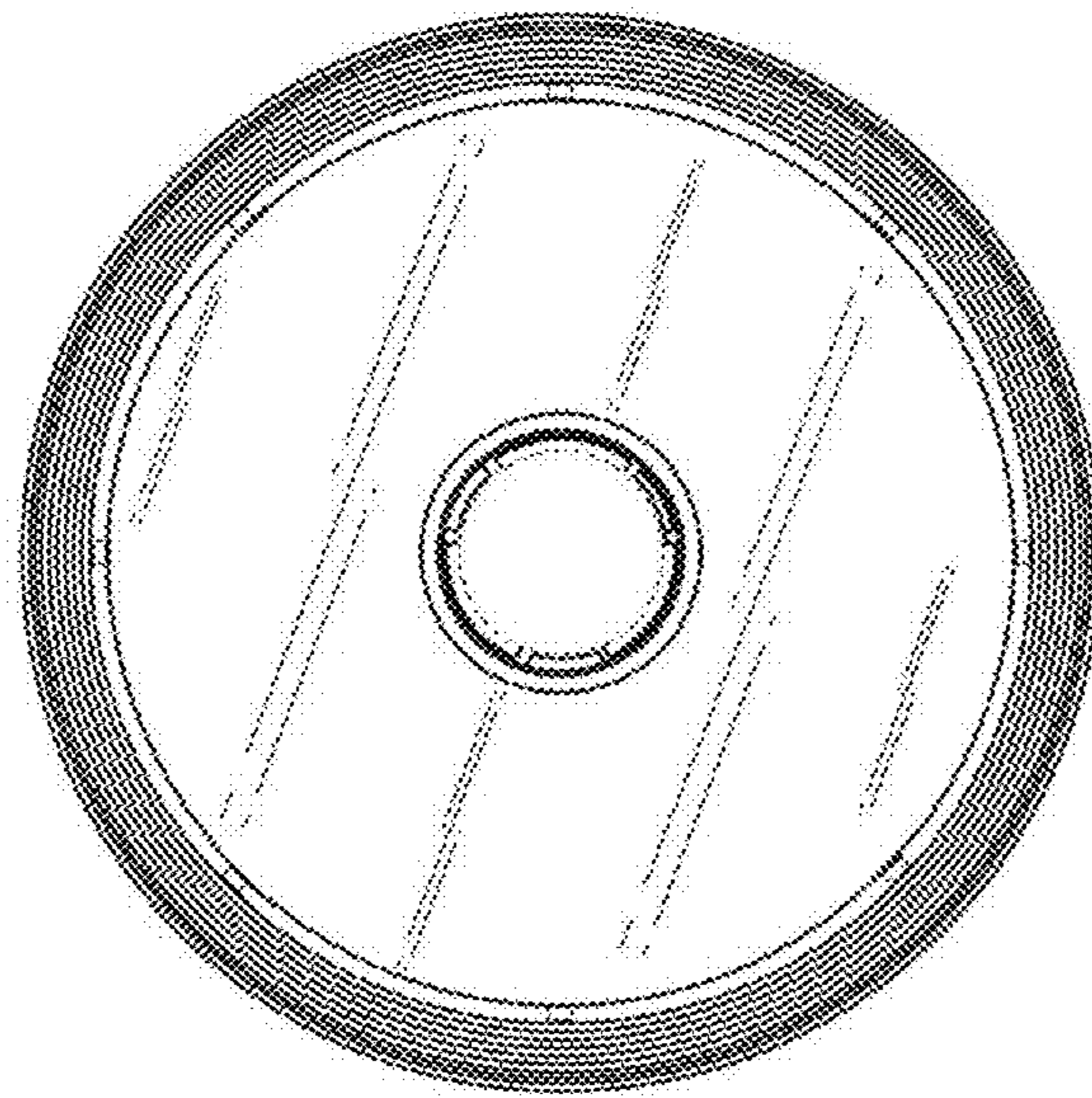


Fig. 7