



US00D800939S

(12) **United States Design Patent**
Cai

(10) **Patent No.:** **US D800,939 S**

(45) **Date of Patent:** **** Oct. 24, 2017**

(54) **CHARGEABLE WORKING LIGHT**

(71) Applicant: **NINGBO YUSING OPTOELECTRONIC TECHNOLOGY CO., LTD.**, Jiangshan Town, Ningbo (CN)

(72) Inventor: **Xiaoyu Cai**, Ningbo (CN)

(73) Assignee: **Nongbo Yusing Optoelectronic Technology Co., Ltd.**, Ningbo (CN)

(**) Term: **15 Years**

(21) Appl. No.: **29/579,817**

(22) Filed: **Oct. 4, 2016**

(30) **Foreign Application Priority Data**

May 17, 2016 (CN) 2016 3 0184464

(51) **LOC (10) Cl.** **26-03**

(52) **U.S. Cl.**
USPC **D26/65**

(58) **Field of Classification Search**
USPC D26/37, 39, 60-63, 65
CPC F21Y 2105/00; F21V 21/30; F21V 21/14;
F21V 21/145; F21V 15/01
See application file for complete search history.

(56) **References Cited**

U.S. PATENT DOCUMENTS

D351,678 S * 10/1994 Chen D26/65
D498,551 S * 11/2004 Chan D26/37

D623,336 S * 9/2010 Levine D26/60
D642,315 S * 7/2011 Yu Chung Han D26/65
D649,672 S * 11/2011 Wang D26/65
D710,527 S * 8/2014 Brown D26/63
D766,481 S * 9/2016 Lipson D26/63
D781,480 S * 3/2017 Zhan D26/63

* cited by examiner

Primary Examiner — Brian N Vinson

(74) *Attorney, Agent, or Firm* — Muncy, Geissler, Olds & Lowe, P.C.

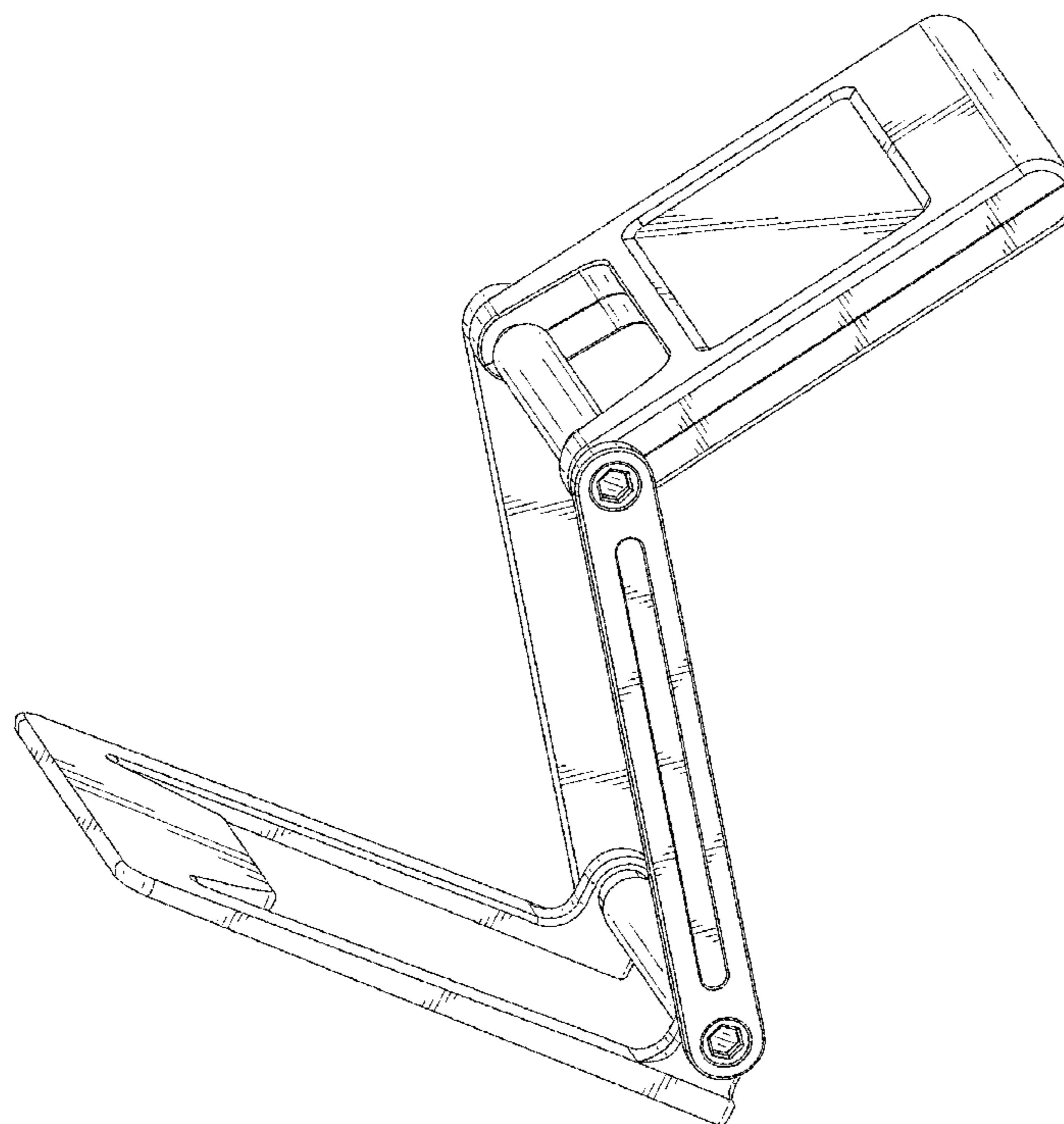
(57) **CLAIM**

The ornamental design for a chargeable working light, as shown and described.

DESCRIPTION

FIG. 1 is a front plan view of a chargeable working light showing my new design;
FIG. 2 is a rear plan view thereof;
FIG. 3 is a left side view thereof;
FIG. 4 is a right side view thereof;
FIG. 5 is a front plan view thereof in a closed position;
FIG. 6 is a rear plan view thereof in a closed position;
FIG. 7 is a perspective view thereof;
FIG. 8 is a front perspective view thereof in a partially opened position; and,
FIG. 9 is a top perspective view thereof in a closed position.

1 Claim, 9 Drawing Sheets



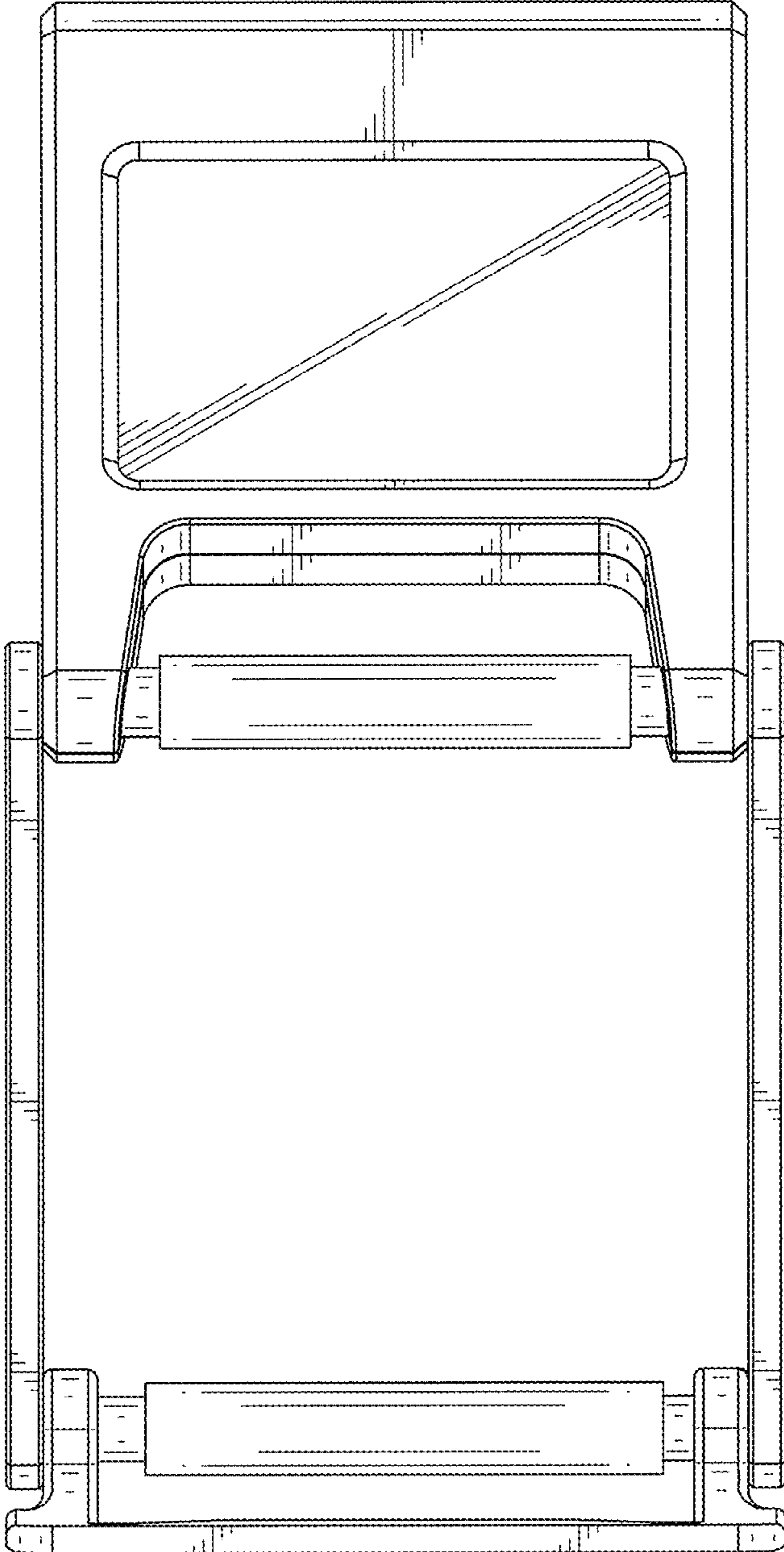


FIG.1

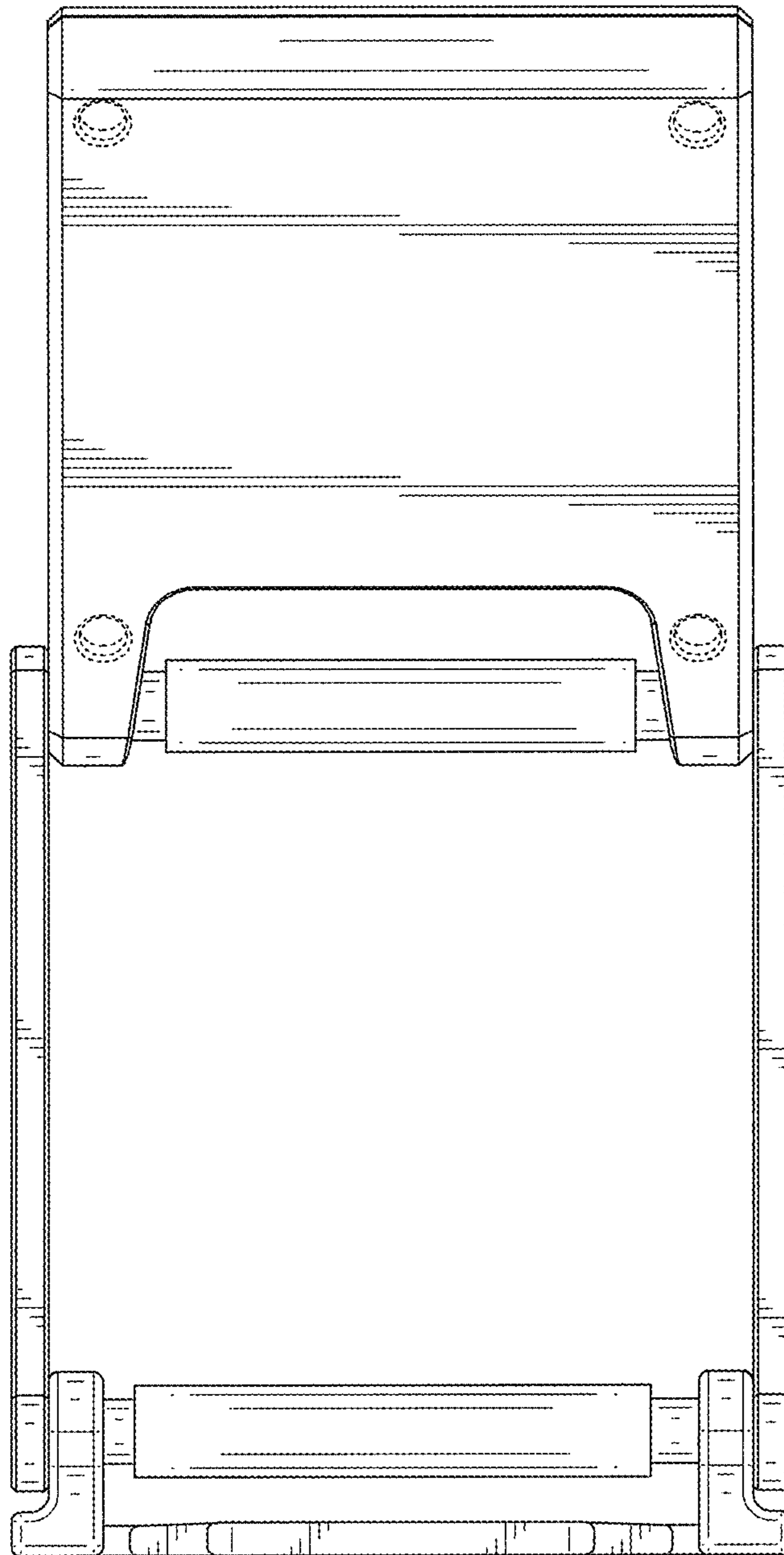


FIG.2

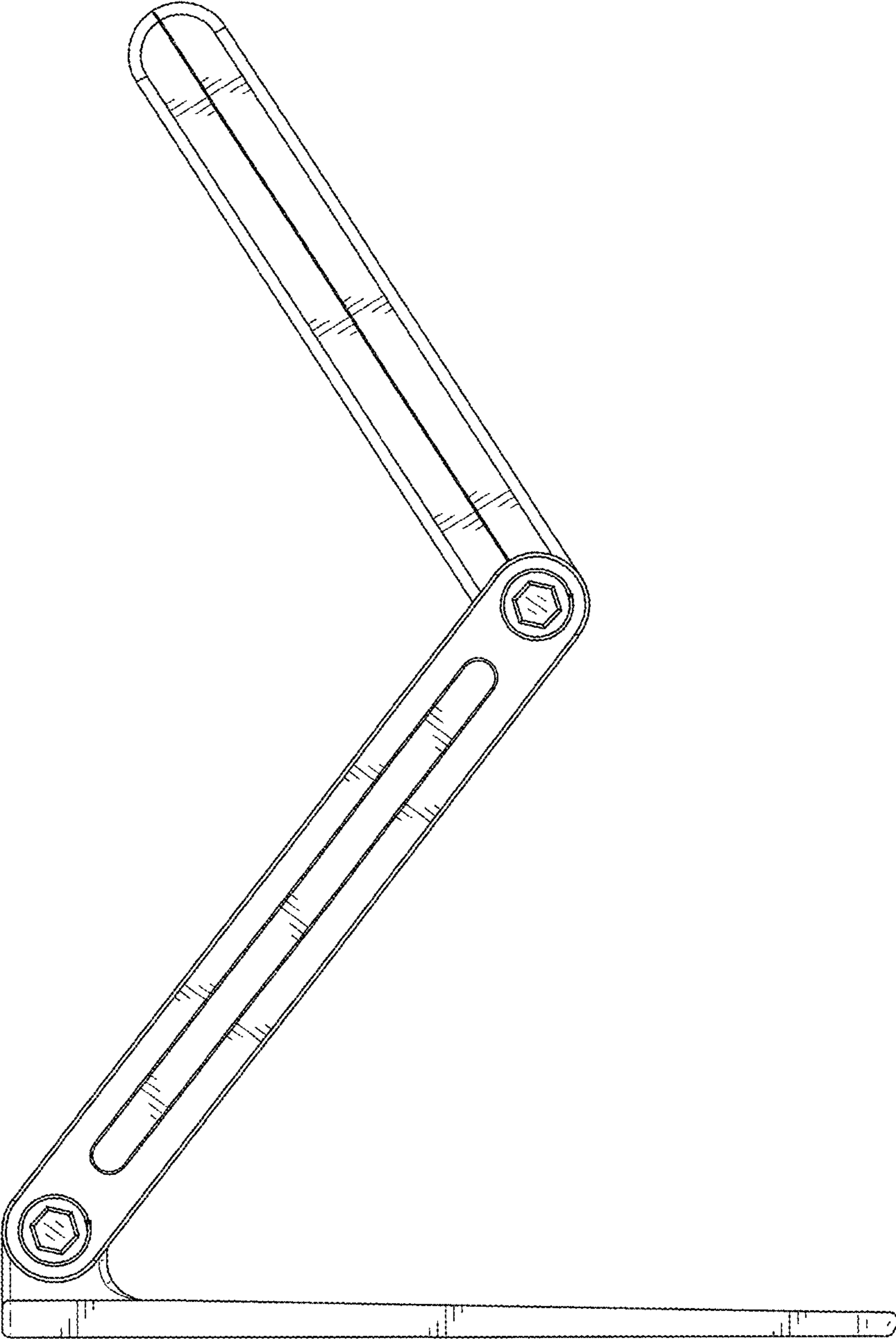


FIG.3

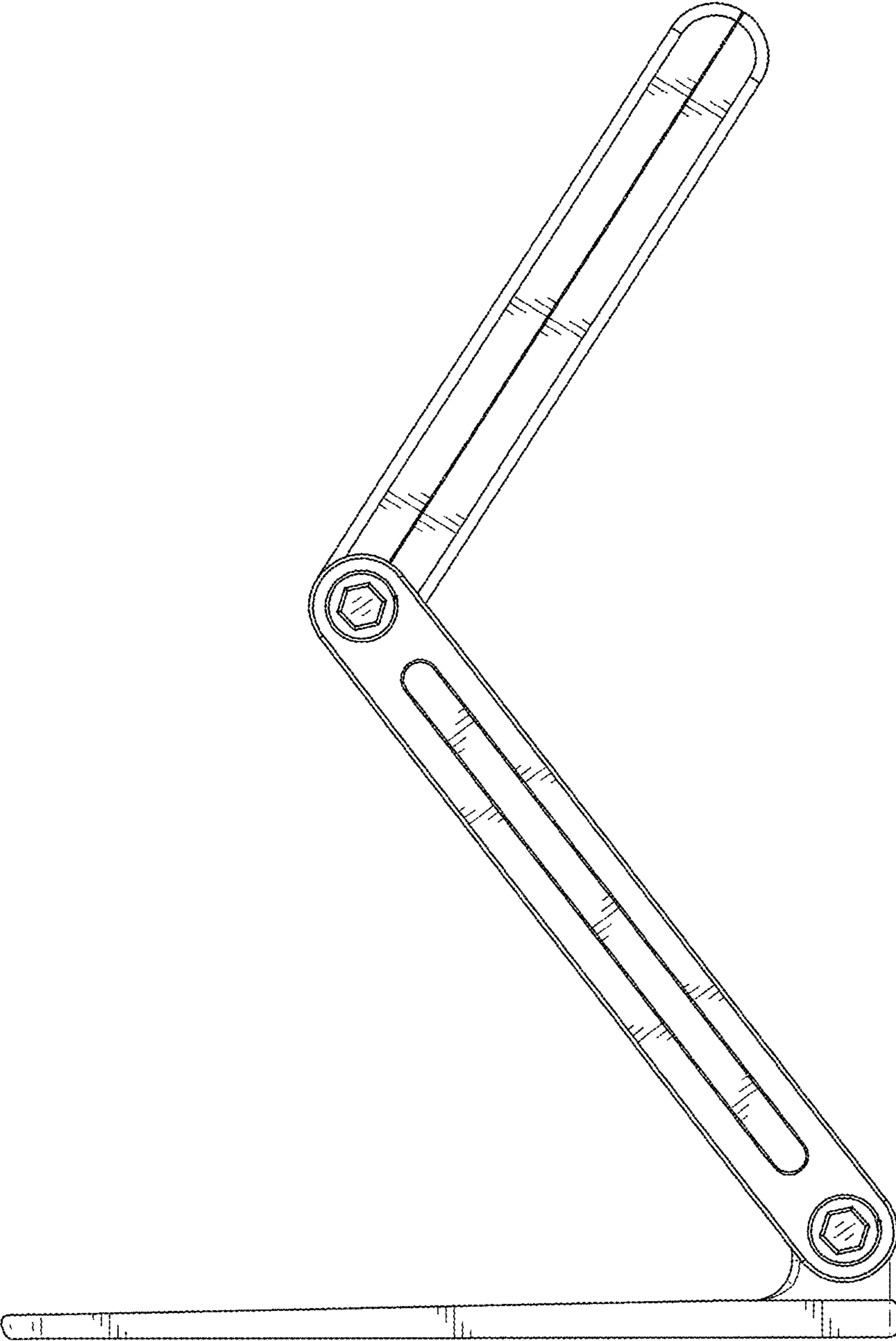


FIG.4

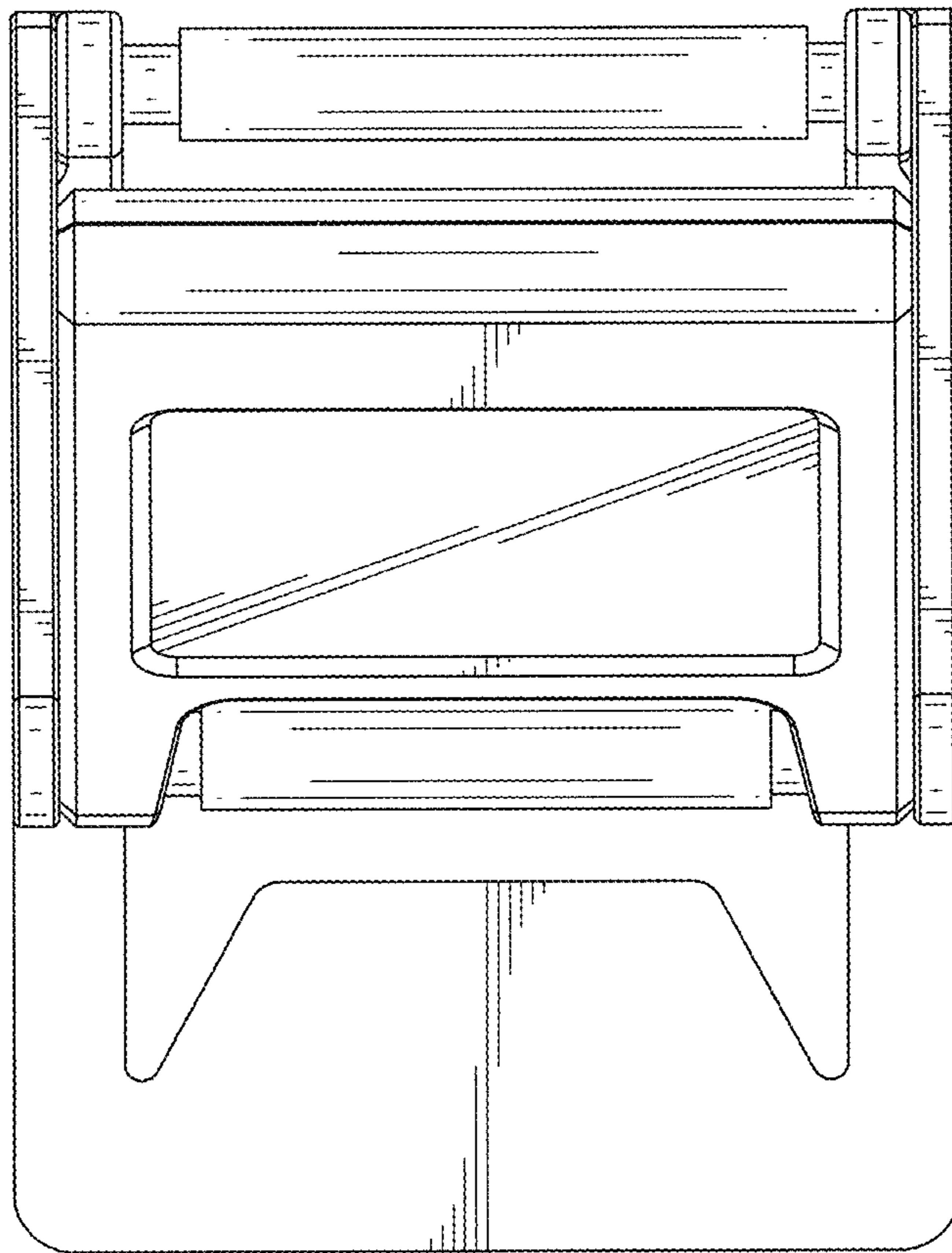


FIG.5

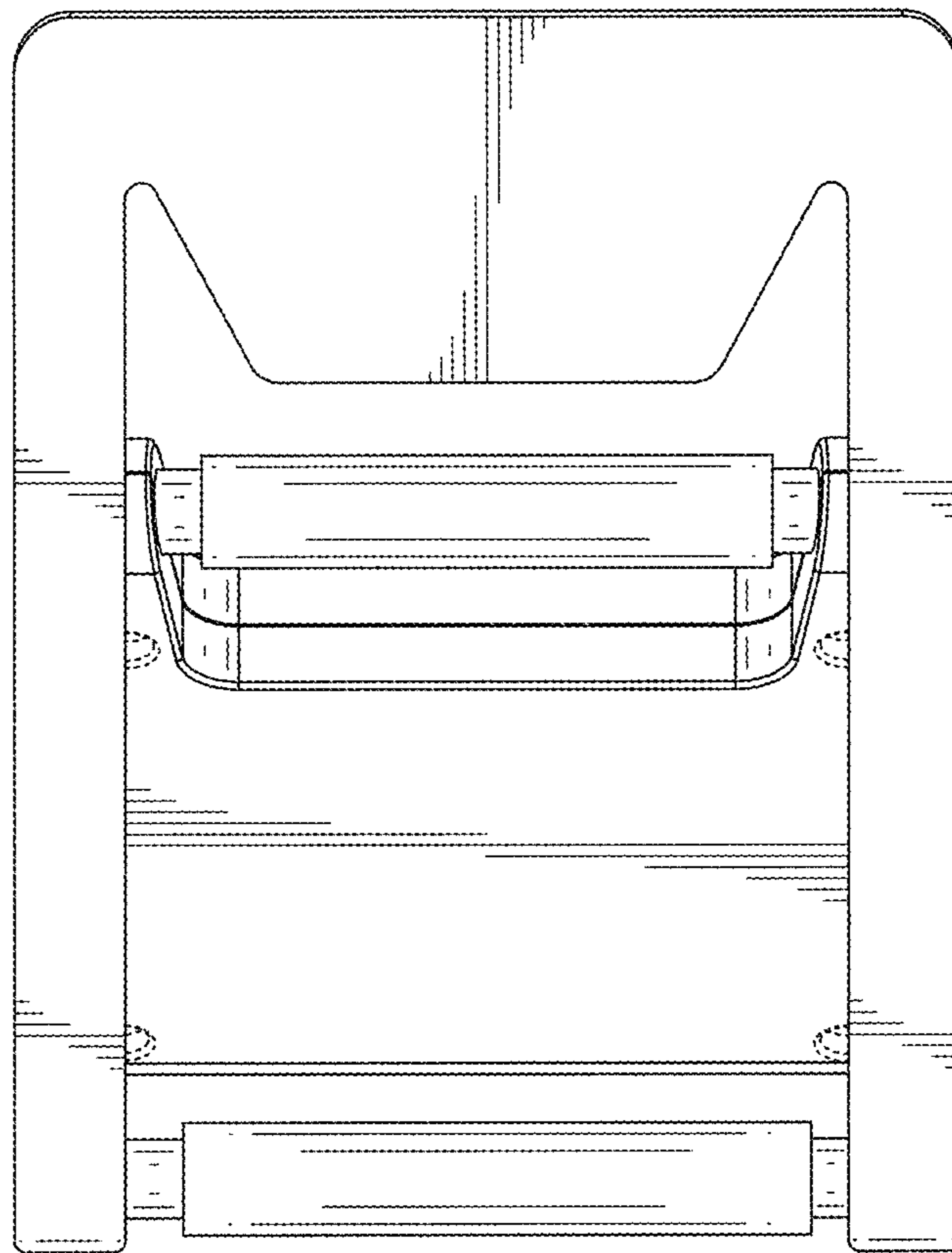


FIG.6

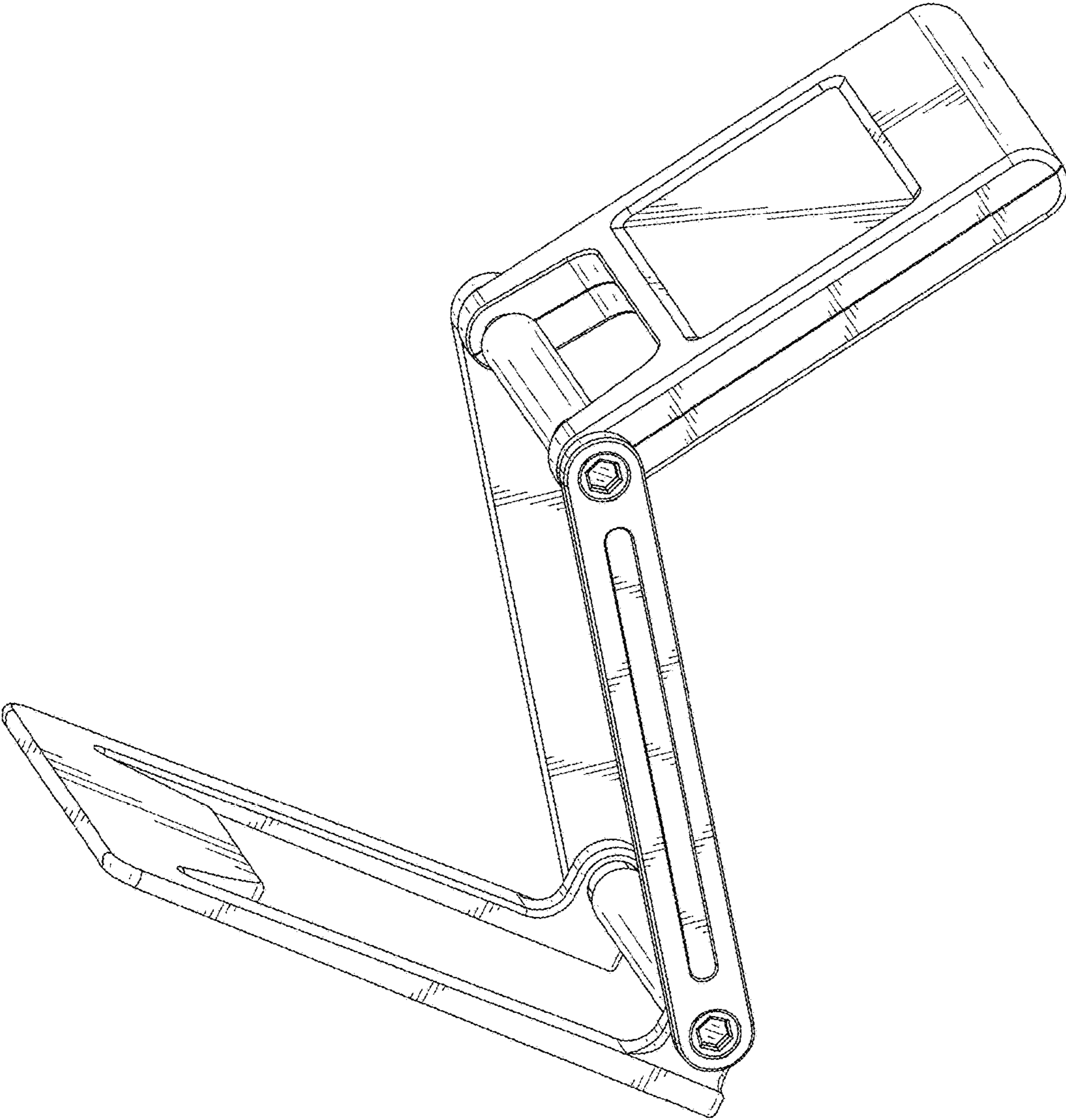


FIG.7

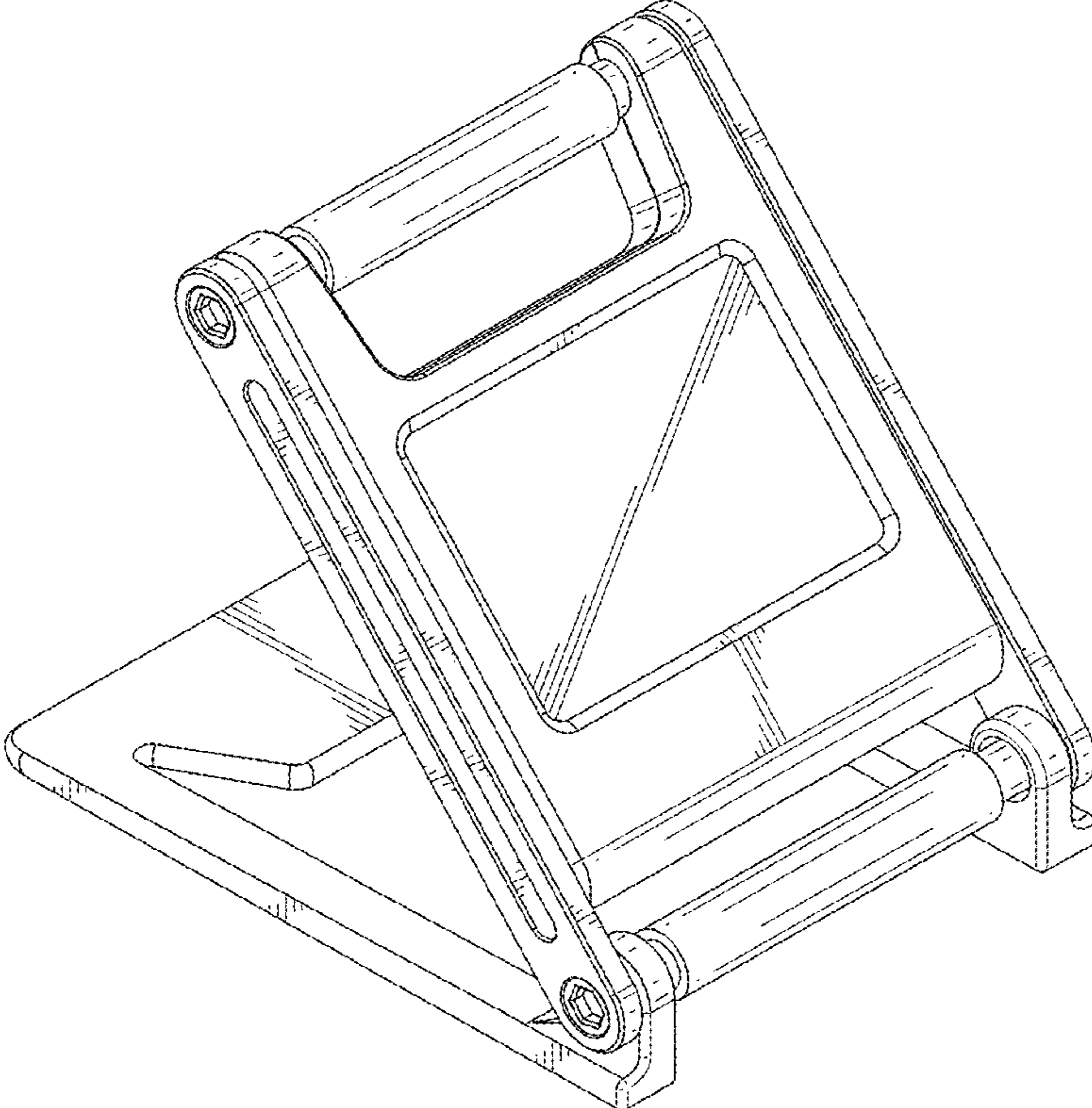


FIG.8

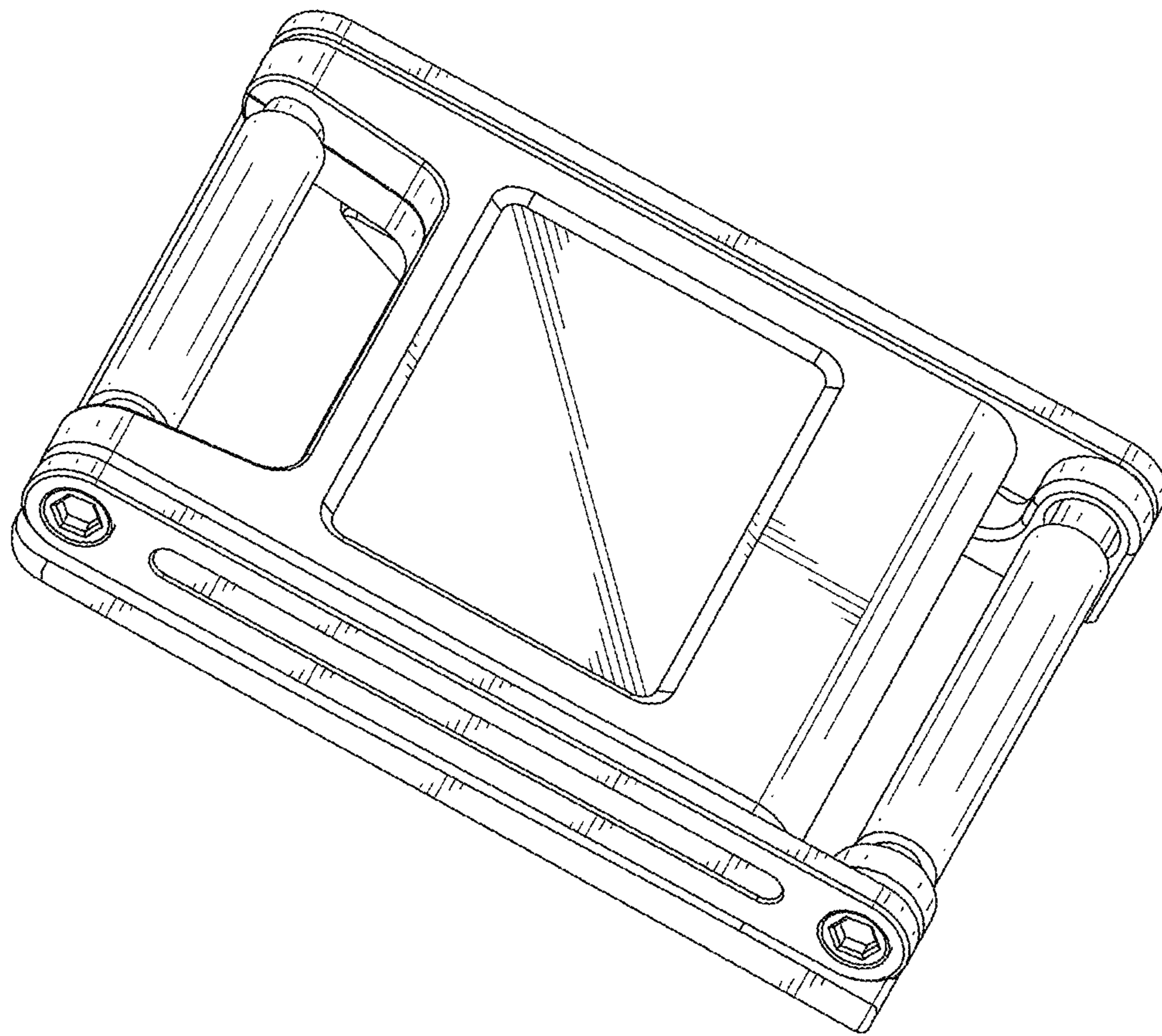


FIG.9