



US00D800938S

(12) **United States Design Patent**
Guercio et al.

(10) **Patent No.:** **US D800,938 S**
(45) **Date of Patent:** **** Oct. 24, 2017**

- (54) **OBLONG LIGHT FIXTURE**
- (71) Applicant: **RAB Lighting Inc.**, Northvale, NJ (US)
- (72) Inventors: **Vincenzo Guercio**, Wallkill, NY (US);
Wengang Gao, Ningbo (CN)
- (73) Assignee: **RAB Lighting Inc.**, Northvale, NJ (US)
- (**) Term: **15 Years**
- (21) Appl. No.: **29/588,227**
- (22) Filed: **Dec. 19, 2016**
- (51) **LOC (10) Cl.** **26-03**
- (52) **U.S. Cl.**
USPC **D26/63**
- (58) **Field of Classification Search**
USPC D26/1, 24, 61, 63, 65, 85, 92
CPC F21V 21/14; F21V 15/01; F21V 14/02;
F21V 21/30; F21V 21/00; F21V 14/00;
F21S 8/00; F21S 8/003; F21S 8/043;
F21Y 2105/001
See application file for complete search history.

(56) **References Cited**

U.S. PATENT DOCUMENTS

- D233,779 S 11/1974 Kennedy
 - D370,070 S 5/1996 Kay
 - D385,638 S 10/1997 Bonnette et al.
 - D399,584 S 10/1998 Giese et al.
 - D414,579 S * 9/1999 Denison D26/63
- (Continued)

OTHER PUBLICATIONS

RAB Electric MFG.CO.; 1975 Catalog; 1st column, 2nd fixture;
VRM Series Lampholders.
(Continued)

Primary Examiner — Brian N Vinson

(74) *Attorney, Agent, or Firm* — SmithAmundsen LLC;
Douglas G. Gallagher; Stephen L. Farris

(57) **CLAIM**

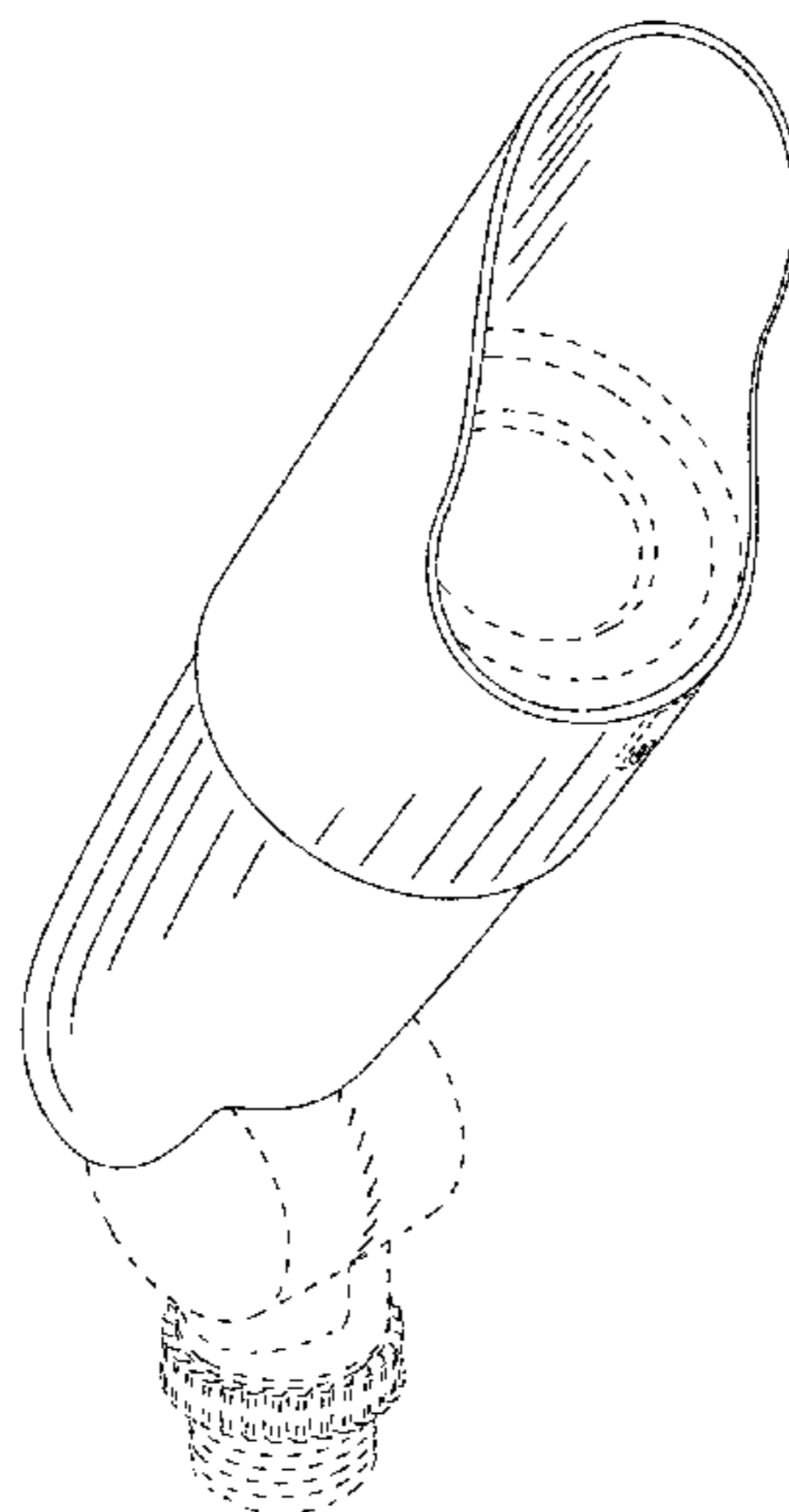
The ornamental design for an oblong light fixture, substantially as shown and described.

DESCRIPTION

FIG. 1 is a front-right perspective view of a first embodiment of the new design;
 FIG. 2 is a bottom-left perspective view of the first embodiment;
 FIG. 3 is a front-bottom perspective view of the first embodiment;
 FIG. 4 is a top-rear perspective view of the first embodiment;
 FIG. 5 is a right side view of the first embodiment;
 FIG. 6 is a left side view of the first embodiment;
 FIG. 7 is a top-front perspective view of the first embodiment;
 FIG. 8 is a rear-bottom perspective view of the first embodiment;
 FIG. 9 is a front-right perspective view of a second embodiment of the new design;
 FIG. 10 is a bottom-left perspective view of the second embodiment;
 FIG. 11 is a front-bottom perspective view of the second embodiment;
 FIG. 12 is a top-rear perspective view of the second embodiment;
 FIG. 13 is a right side view of the second embodiment;
 FIG. 14 is a left side view of the second embodiment;
 FIG. 15 is a top-front perspective view of the second embodiment; and,
 FIG. 16 is a rear-bottom perspective view of the second embodiment.

The design consists of the features of shape, ornamentation, and configuration of the article shown in the drawings. The broken lines shown in the drawings are for the purposes of illustrating portions of the article that form no part of the claimed design.

1 Claim, 14 Drawing Sheets



(56)

References Cited

U.S. PATENT DOCUMENTS

D417,519 S 12/1999 Cutler
 D435,925 S 1/2001 Hiller et al.
 D440,330 S 4/2001 Scott et al.
 D463,048 S 9/2002 Scott et al.
 D495,079 S 8/2004 Mullen
 D506,284 S 6/2005 Benghozi
 D507,668 S 7/2005 Kwong
 D509,013 S 8/2005 Opolka
 D509,842 S 9/2005 Ou
 6,942,363 B1 9/2005 LeVasseur
 D524,975 S 7/2006 Oas
 D542,959 S * 5/2007 Yao D26/63
 D559,091 S * 1/2008 Skorka D8/367
 D561,376 S 2/2008 Guercio
 D563,579 S 3/2008 Grimberg
 D574,532 S * 8/2008 Lee D26/63
 D590,979 S 4/2009 Mullen
 D625,871 S * 10/2010 Huang D26/63
 D659,871 S * 5/2012 Lee D26/63

D667,981 S 9/2012 Connolly et al.
 D676,190 S 2/2013 Guercio et al.
 D723,726 S 3/2015 Reed et al.
 D745,202 S 12/2015 Guercio et al.
 D747,525 S 1/2016 Guercio et al.
 D773,707 S * 12/2016 Lentine D26/63

OTHER PUBLICATIONS

RAB Lighting Inc.; 2003 Catalog; Table of Contents; row 5, col. 3, row 8, cols. 2,3 and 5.
 RAB Lighting Inc.; 2003 Catalog; Flag Lighting Tech Info; HBHN 100VA, H101 with HH1 hood, LF16 MR16 lamp.
 RAB Lighting Inc.; 2003 Catalog; HID H System Floods; all fixtures.
 RAB Lighting Inc.; 2004 Catalog; Quartz Floods; QB1.
 RAB Lighting Inc.; 2006 Catalog; Incandescent H System Floods; Light fixtures with HV Visor.
 RAB Lighting Inc.; 2012 Catalog; LFLOOD LED Floodlights; LFLED5 and HBLED.

* cited by examiner

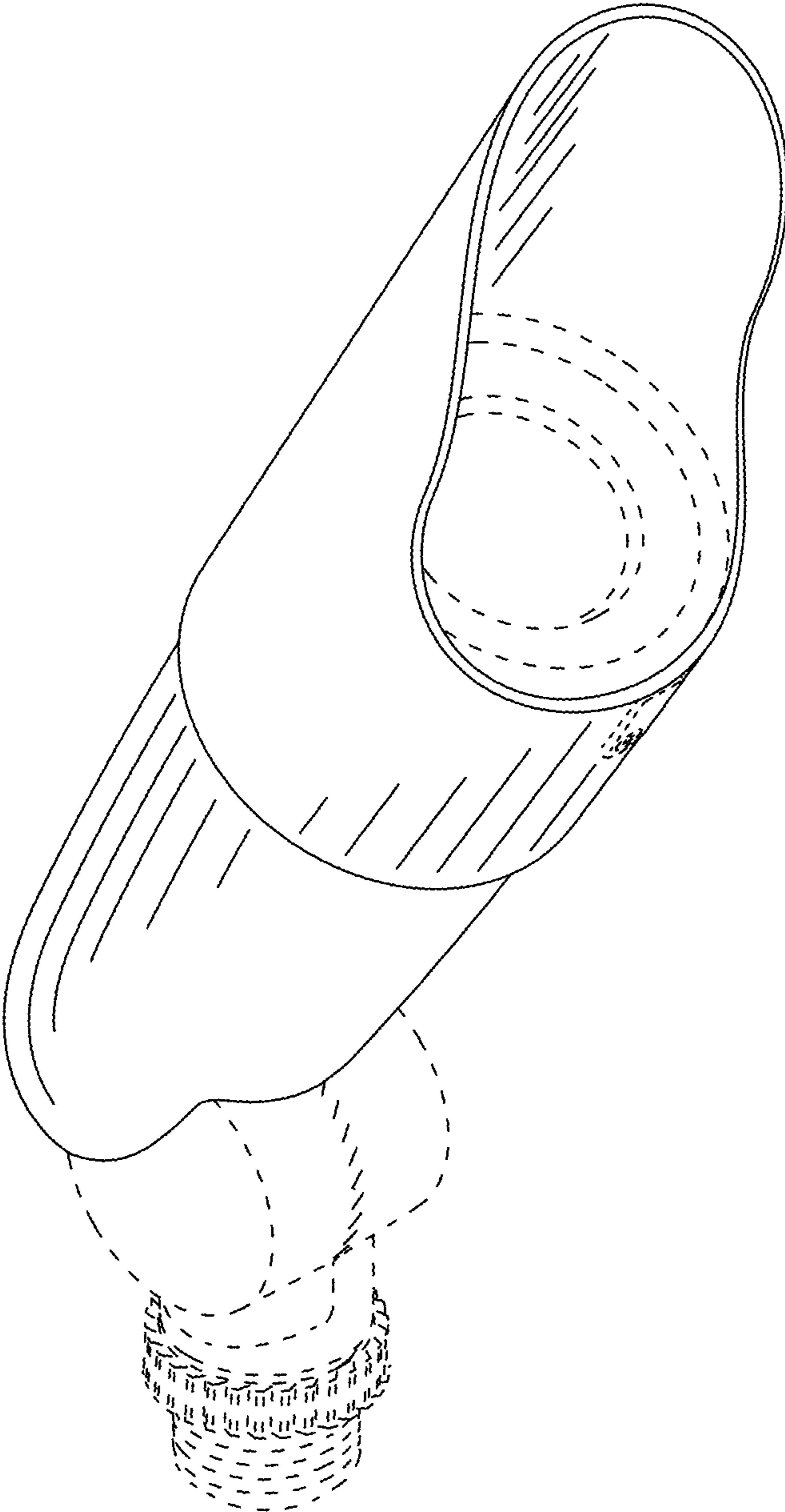


FIG. 1

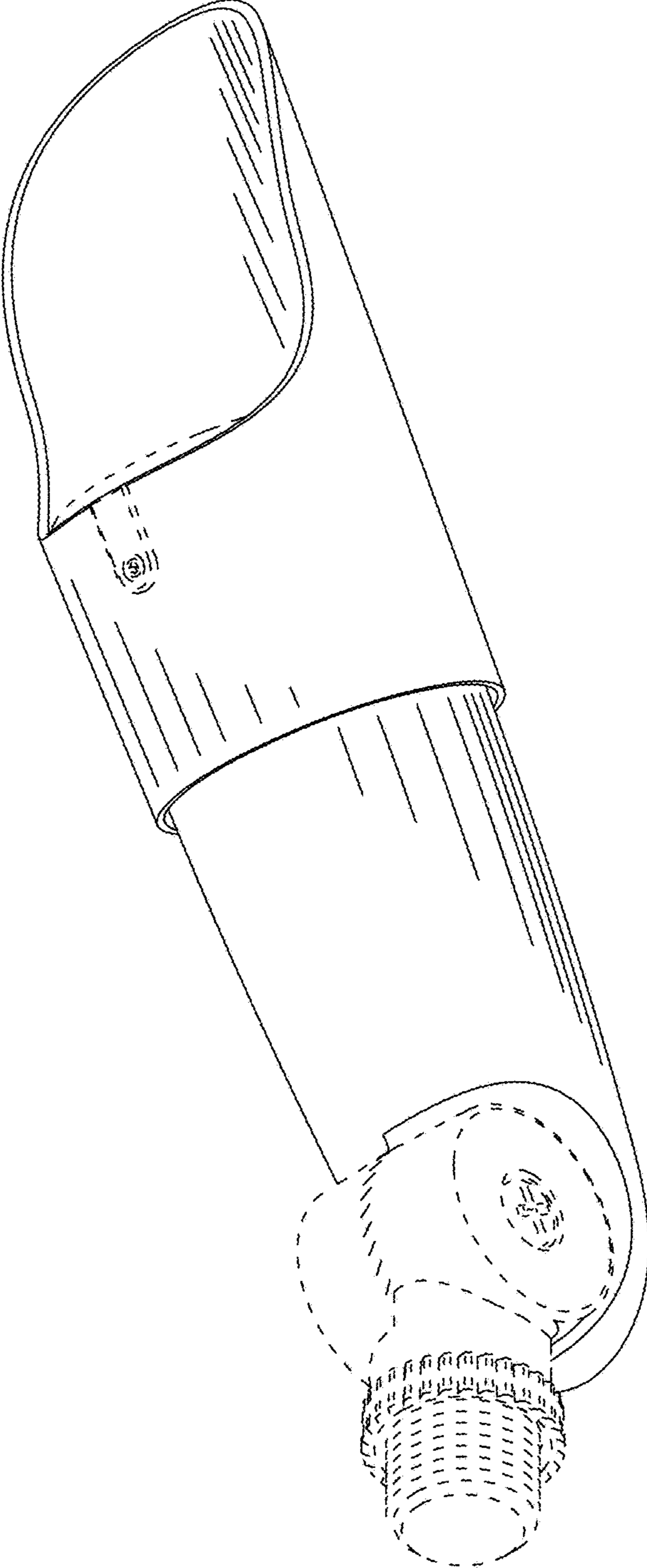


FIG. 2

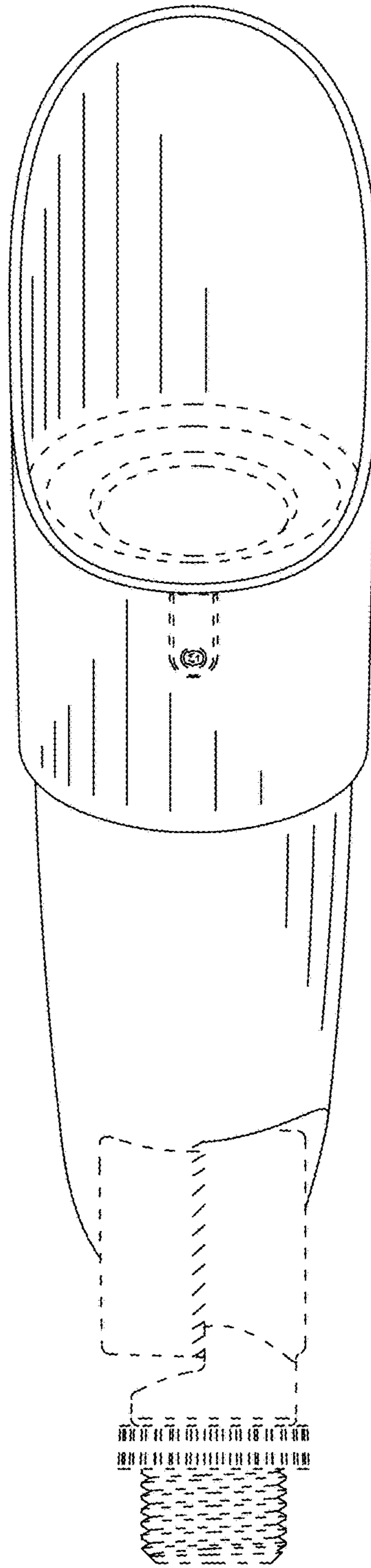


FIG. 3

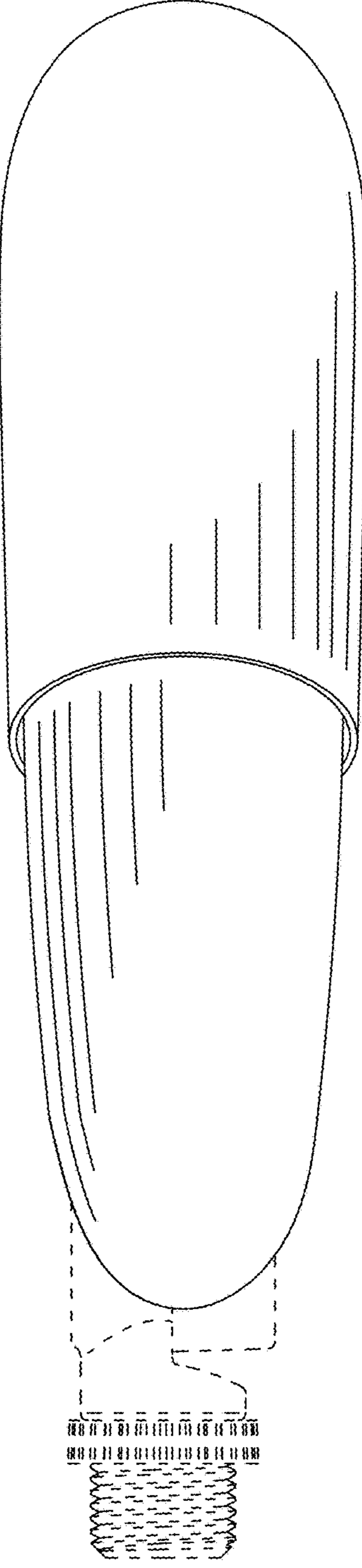


FIG. 4

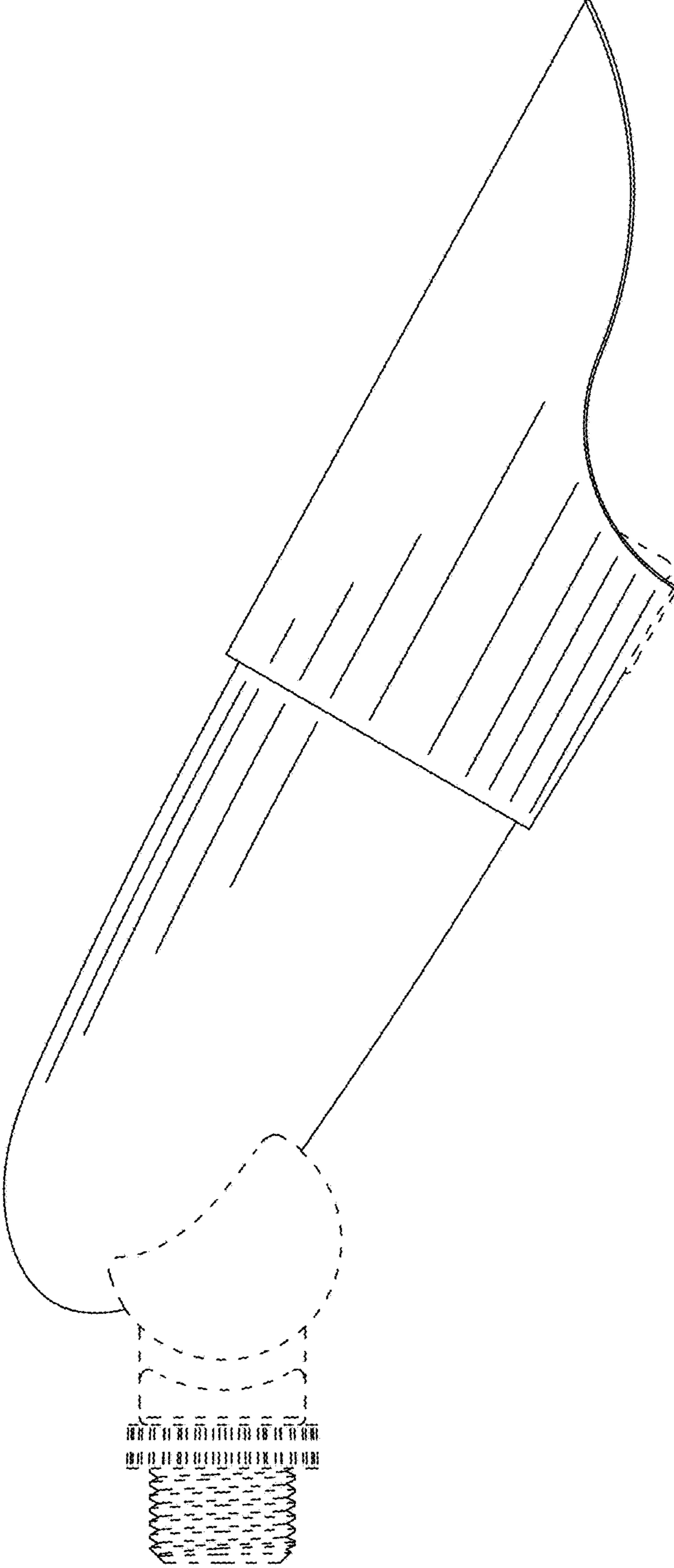


FIG. 5

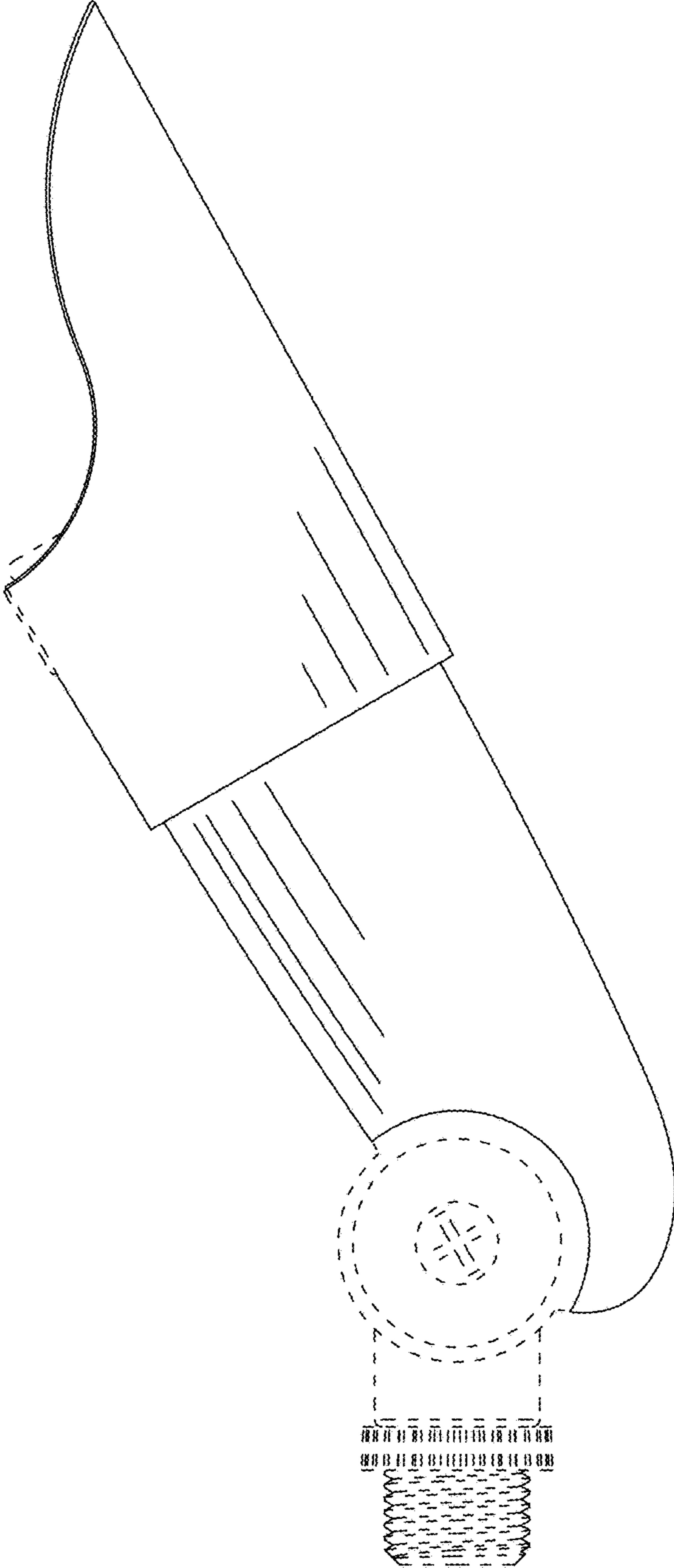


FIG. 6

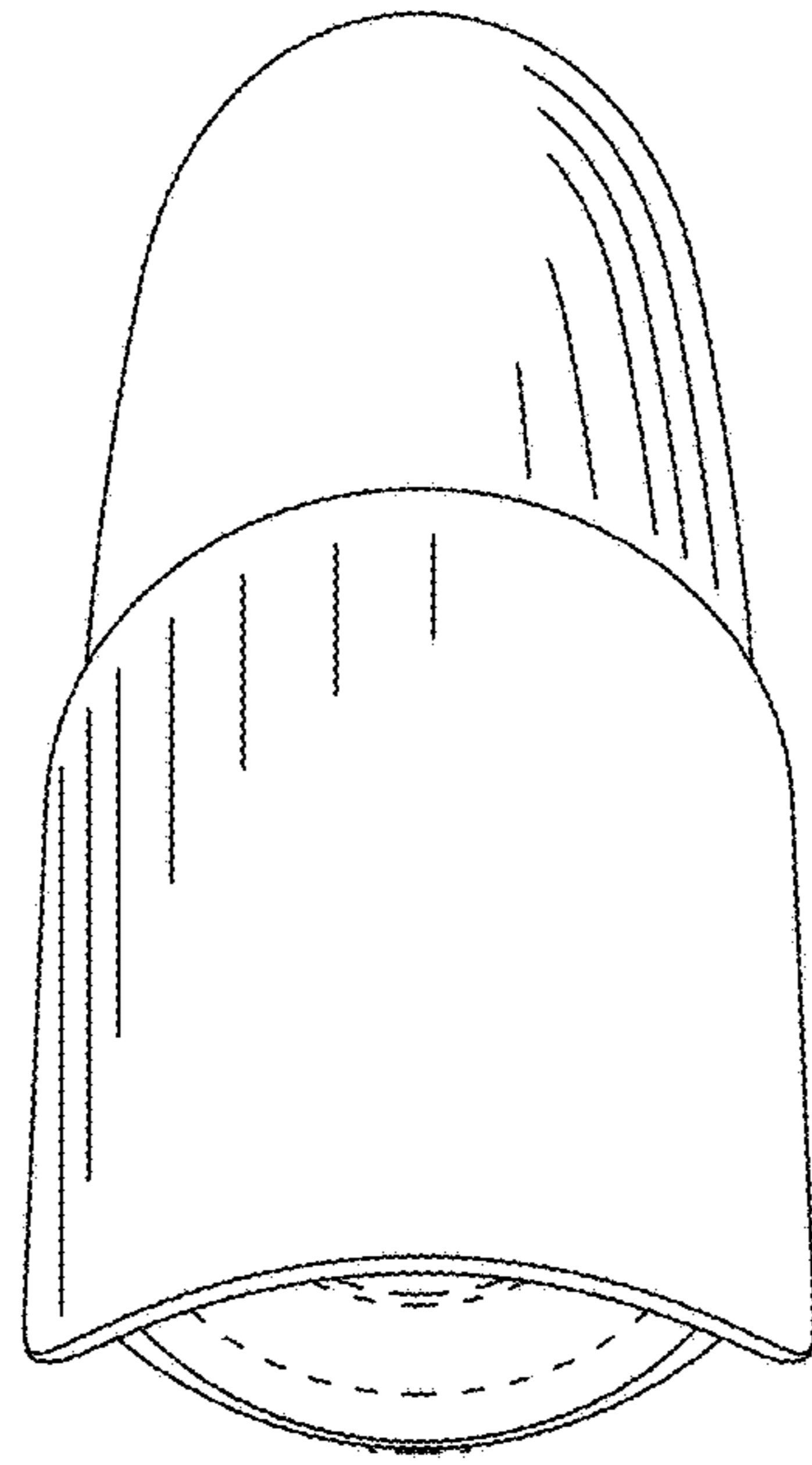


FIG. 7

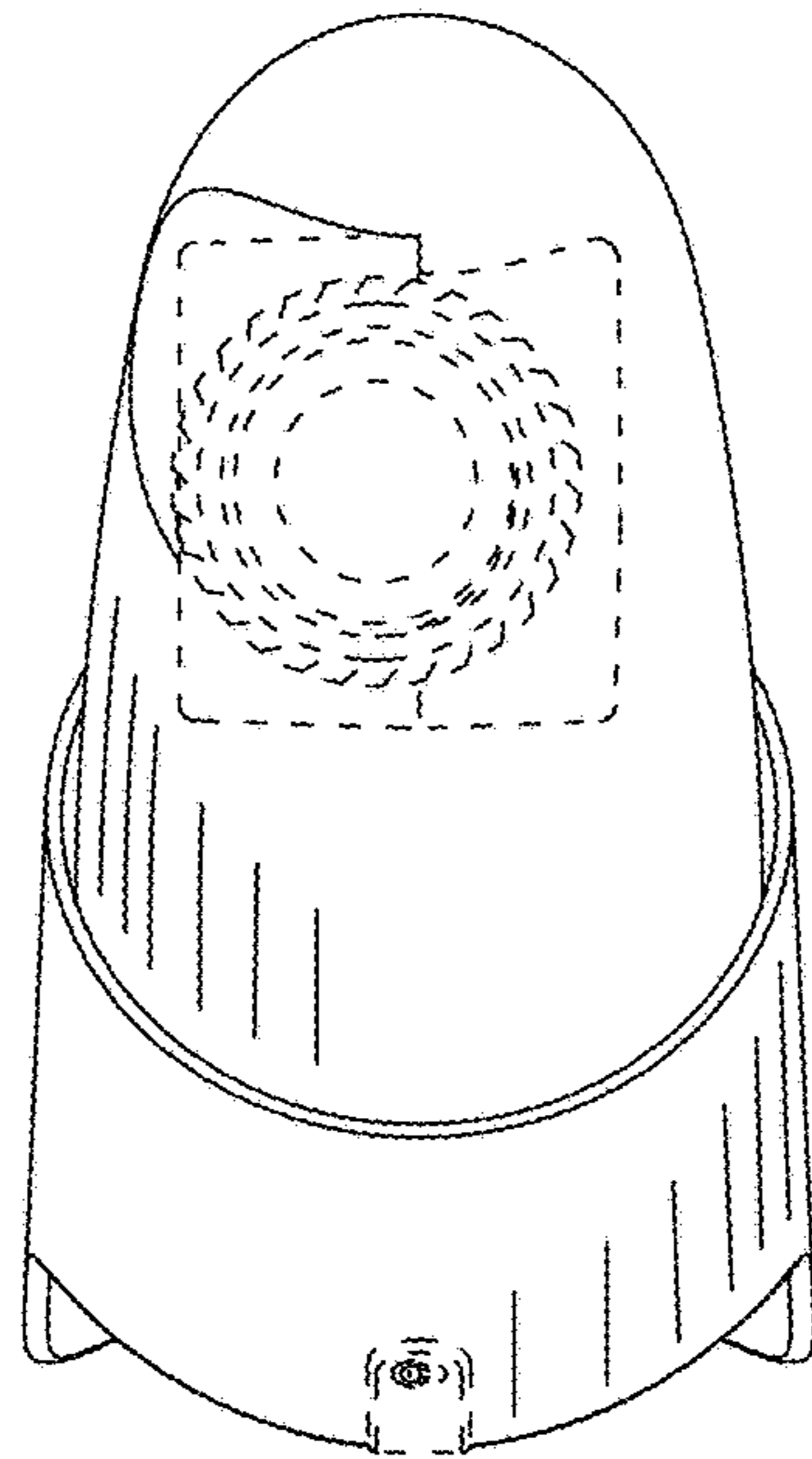


FIG. 8

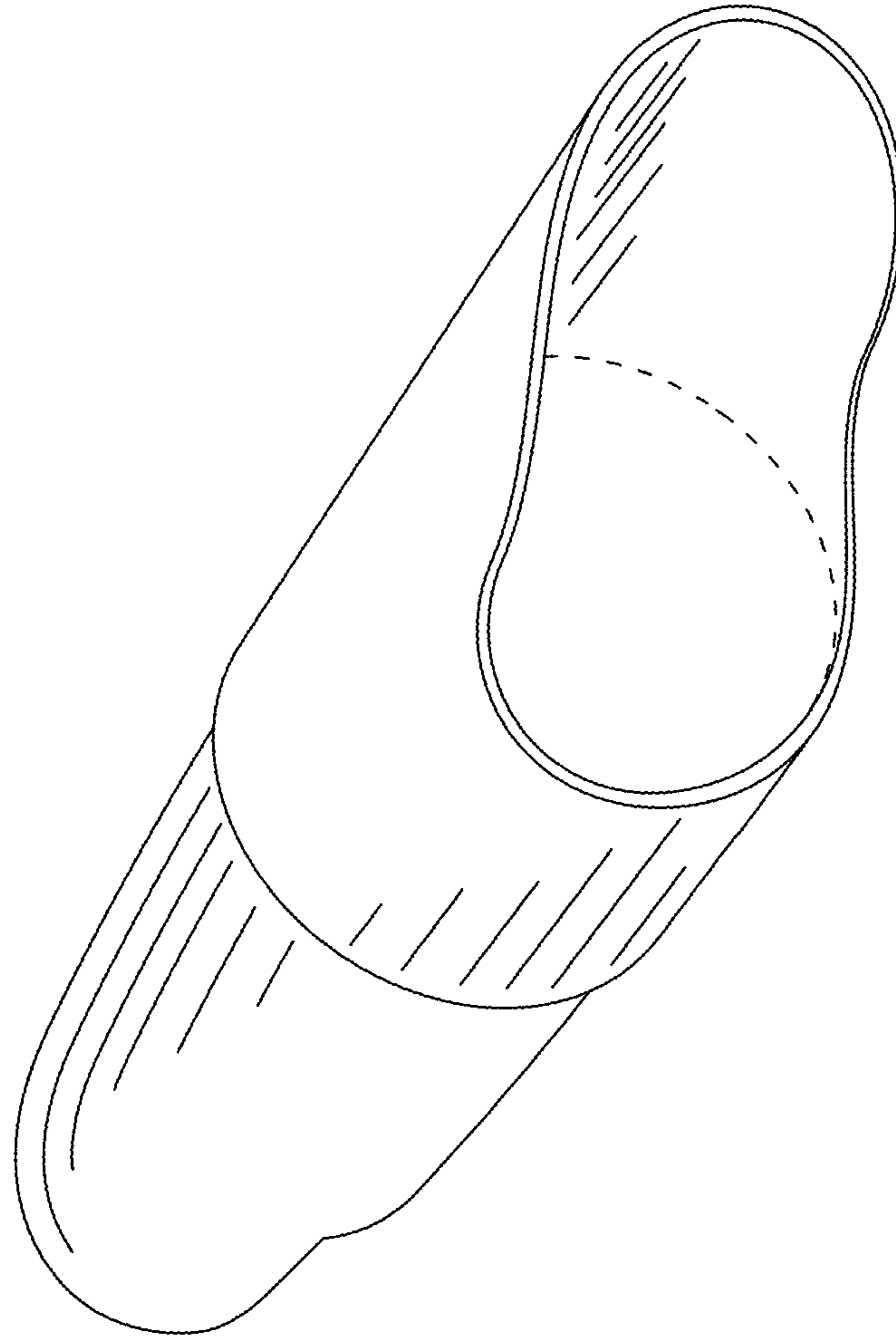


FIG. 9

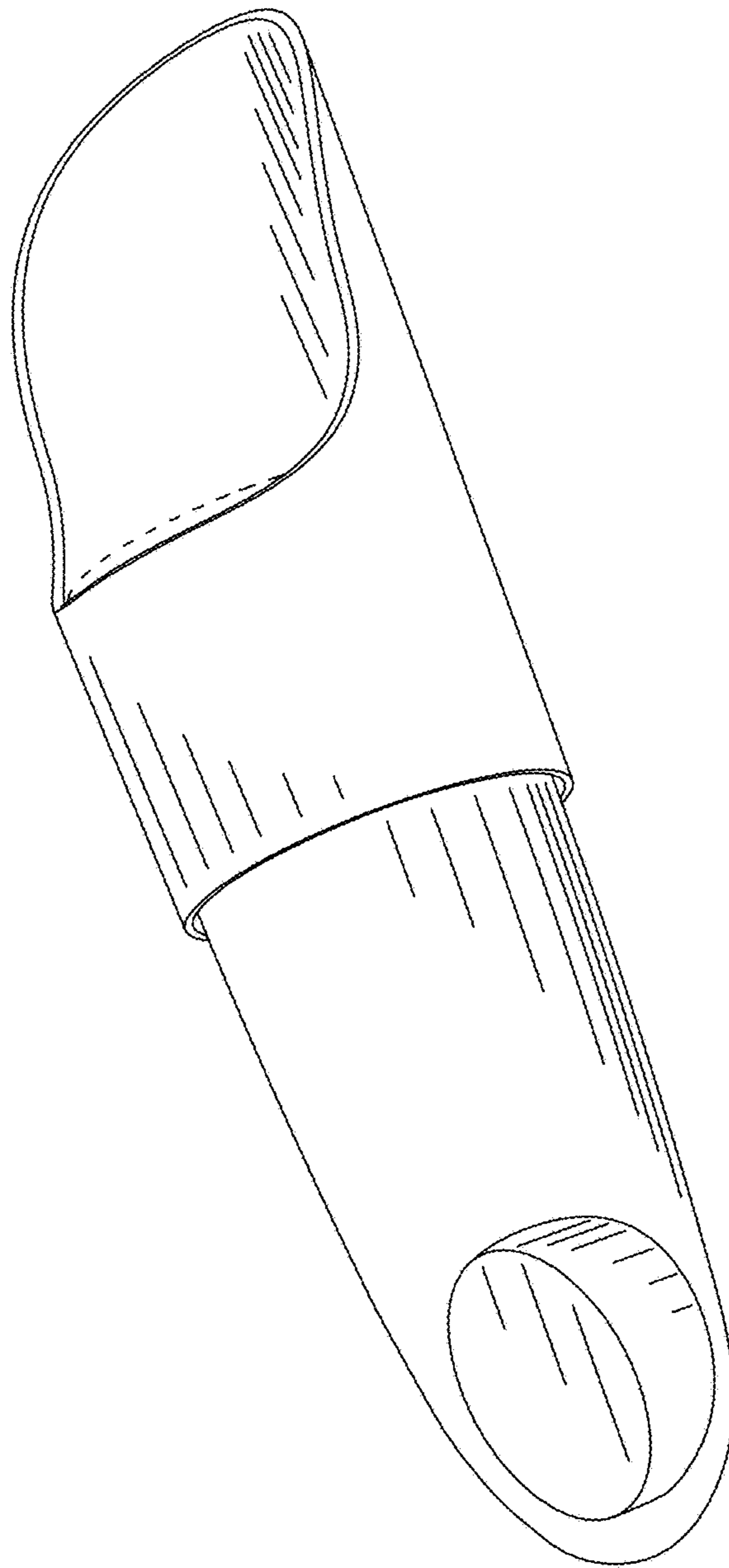


FIG. 10

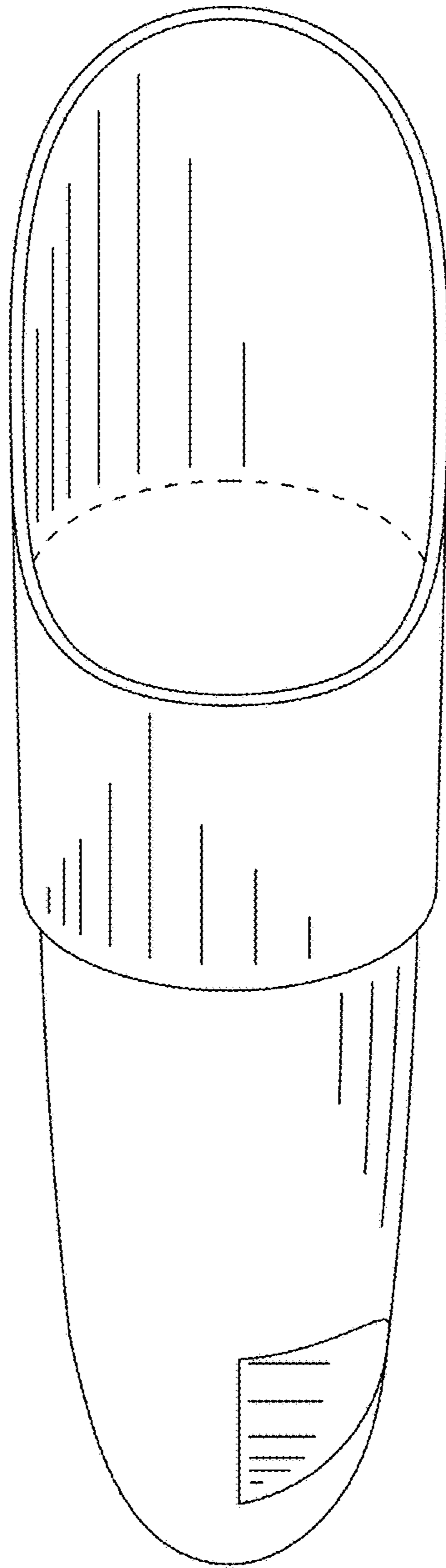


FIG. 11

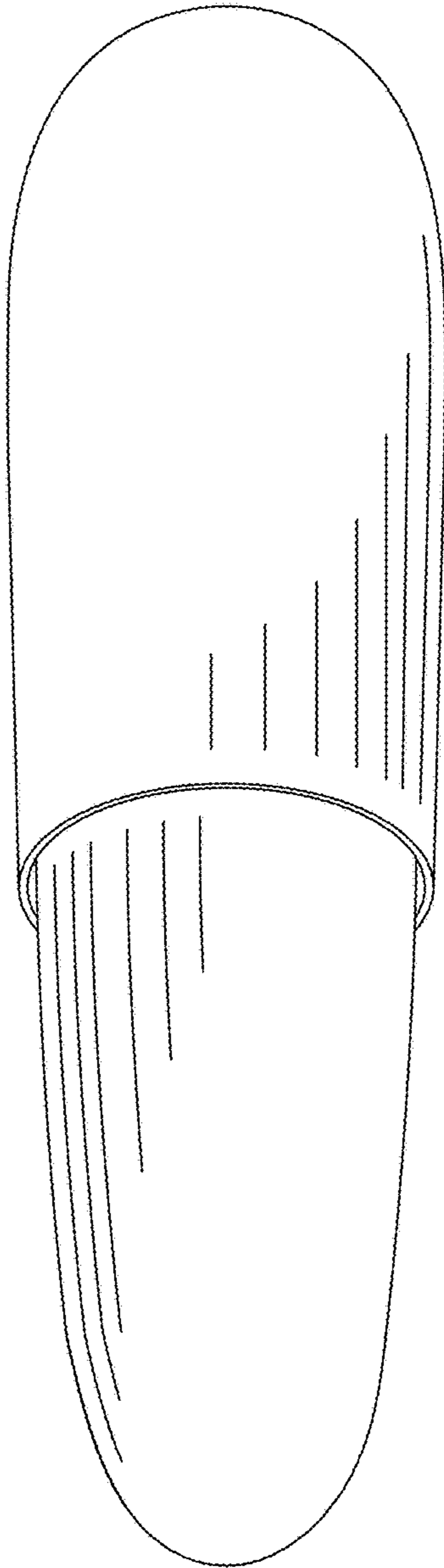


FIG. 12

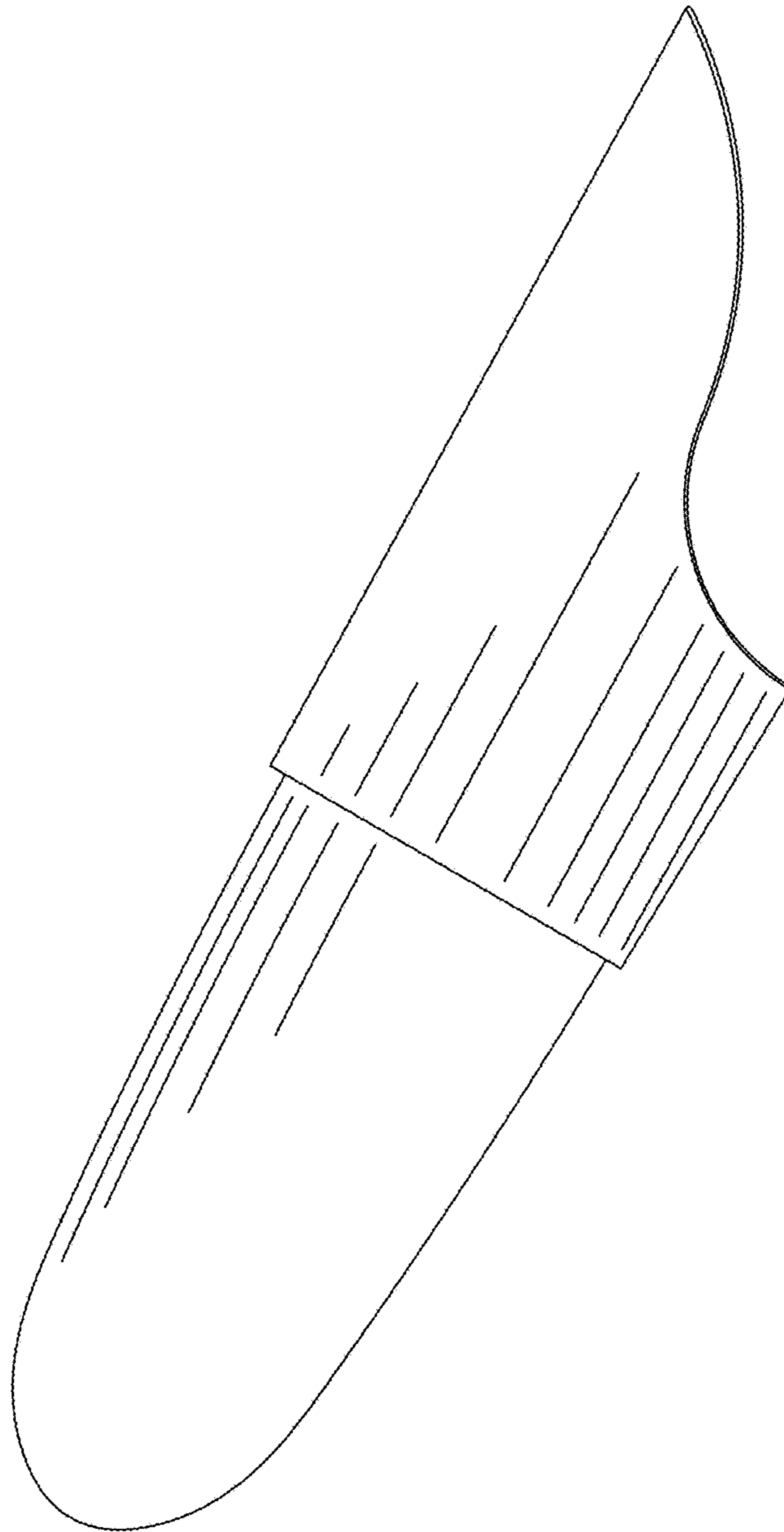


FIG. 13

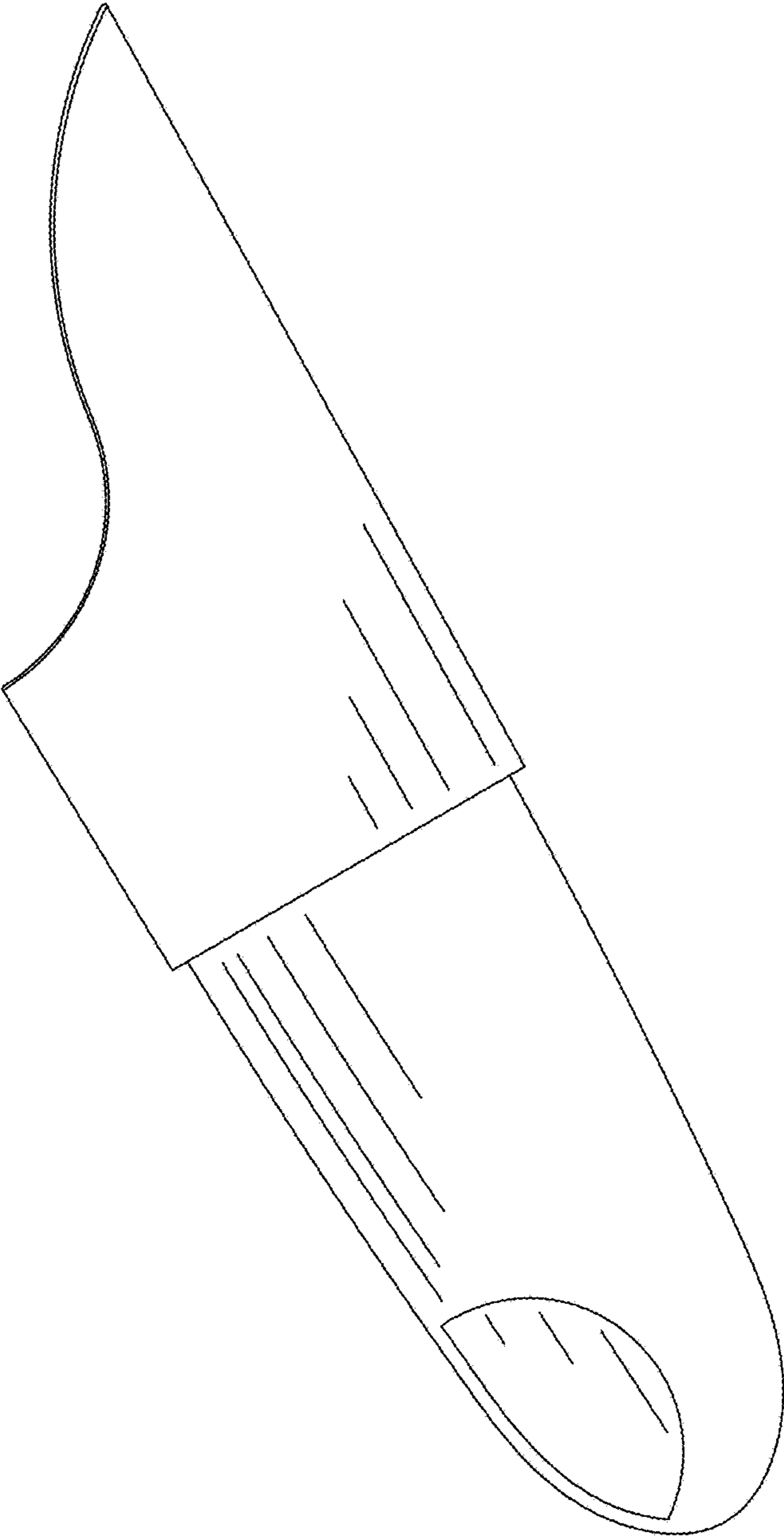


FIG. 14

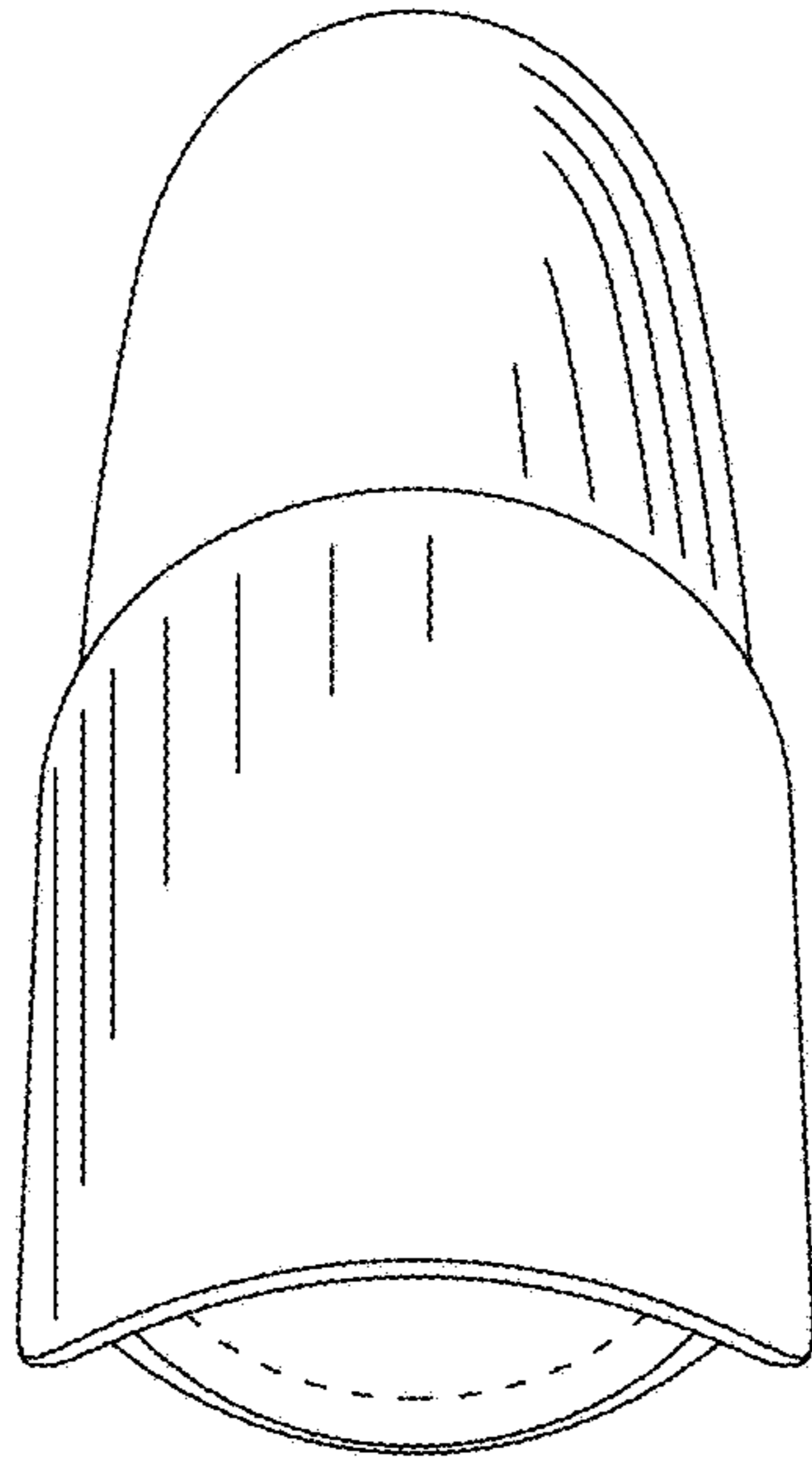


FIG. 15

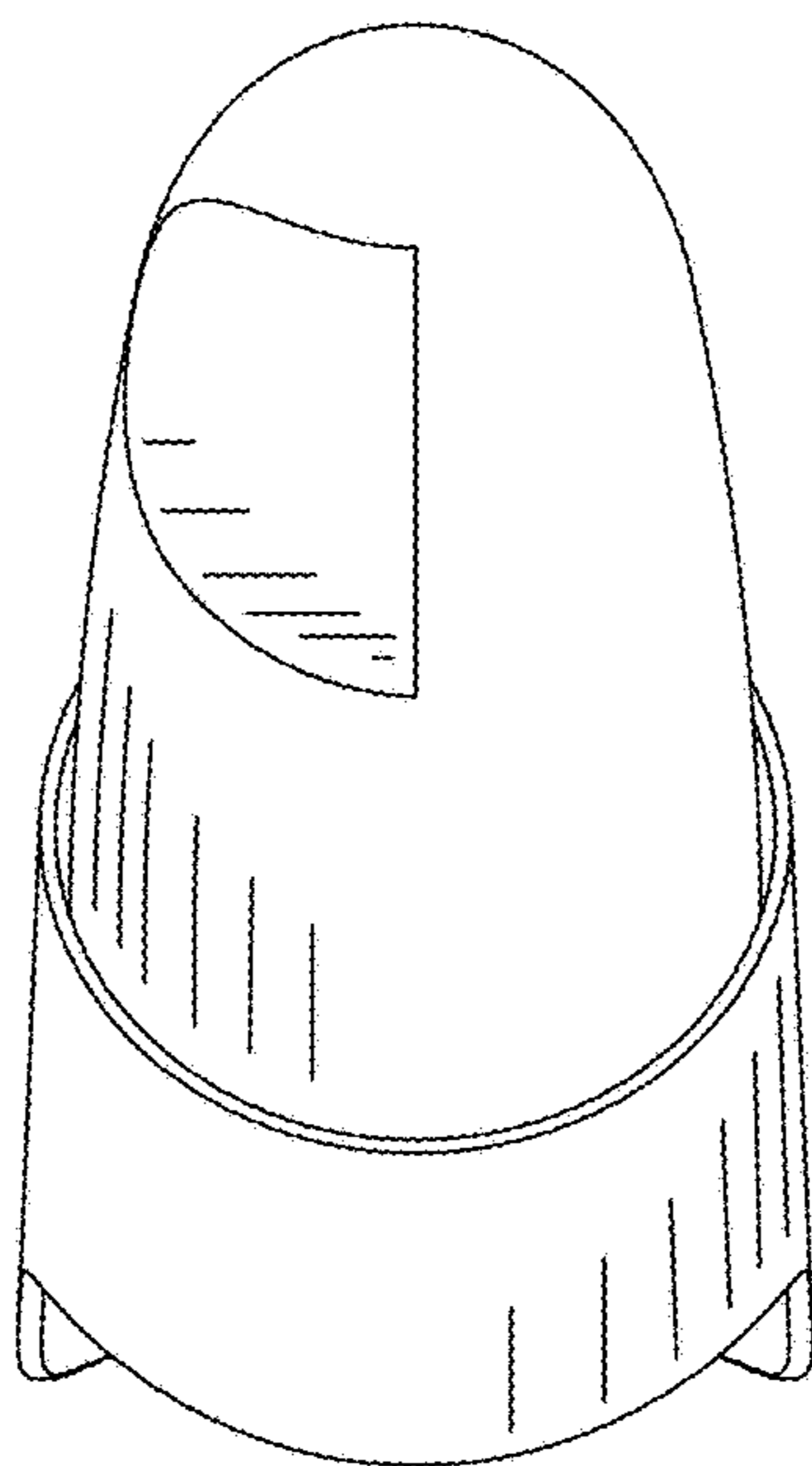


FIG. 16