



US00D800936S

(12) **United States Design Patent**  
**Branch**

(10) **Patent No.:** **US D800,936 S**

(45) **Date of Patent:** **\*\* Oct. 24, 2017**

(54) **LIGHT SYSTEM**

(71) Applicant: **Hatteras Hammocks, Inc.**, Greenville, NC (US)

(72) Inventor: **Jesse A. Branch**, Winterville, NC (US)

(73) Assignee: **Hatteras Hammocks, Inc.**, Greenville, NC (US)

(\*\*) Term: **15 Years**

(21) Appl. No.: **29/576,657**

(22) Filed: **Sep. 6, 2016**

(51) **LOC (10) Cl.** ..... **26-05**

(52) **U.S. Cl.**  
USPC ..... **D26/51**

(58) **Field of Classification Search**  
USPC ..... D6/716.2, 716.7, 717, 334; D26/51;  
D7/510; 297/219.1-229, 411.2-411.46  
CPC .... A47C 1/00; A47C 1/14; B60C 3/00; B60C  
3/233; B60C 3/217  
See application file for complete search history.

(56) **References Cited**

**U.S. PATENT DOCUMENTS**

- 2,276,020 A \* 3/1942 Chlpka ..... B60Q 3/217  
296/152
- D413,875 S \* 9/1999 Lawrence ..... D14/461
- D437,705 S \* 2/2001 Davis ..... D6/375
- D470,695 S \* 2/2003 Haney ..... D6/716.2

- D547,981 S \* 8/2007 Cohen ..... D6/716.2
- D552,389 S \* 10/2007 Papiernik ..... D6/716.2
- D616,239 S \* 5/2010 Sawyer ..... D6/610
- D711,460 S \* 8/2014 Schwarzkopf ..... D18/4.6

\* cited by examiner

*Primary Examiner* — Daniel Bui

*Assistant Examiner* — Andrew Kerr

(74) *Attorney, Agent, or Firm* — Ward and Smith, P.A.;  
Ryan K. Simmons

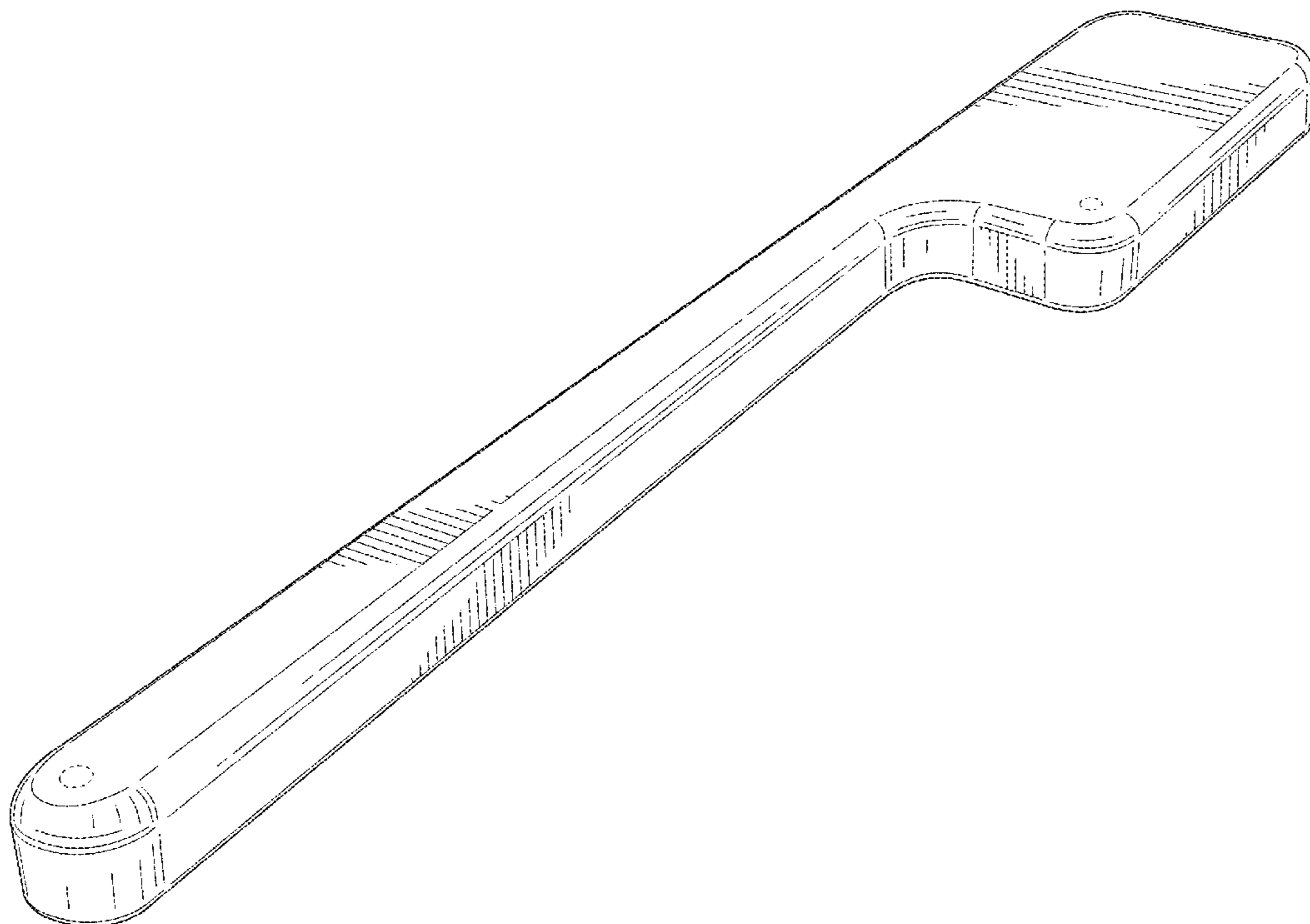
(57) **CLAIM**

The ornamental design for a light system, as shown and described.

**DESCRIPTION**

FIG. 1 is a top perspective view of a light system showing my new design;  
 FIG. 2 is a bottom perspective view thereof;  
 FIG. 3 is a top plan view thereof;  
 FIG. 4 is a bottom plan view thereof;  
 FIG. 5 is a left side elevation view thereof;  
 FIG. 6 is a right side elevation view thereof;  
 FIG. 7 is a rear elevation view thereof;  
 FIG. 8 is a front elevation view thereof; and,  
 FIG. 9 is another top perspective view thereof, showing the light system in an installed configuration.  
 The broken lines in the drawing views represent unclaimed portions of a light system, which are included for the purpose of illustrating unclaimed environment only, and forms no part of the claimed design.

**1 Claim, 6 Drawing Sheets**



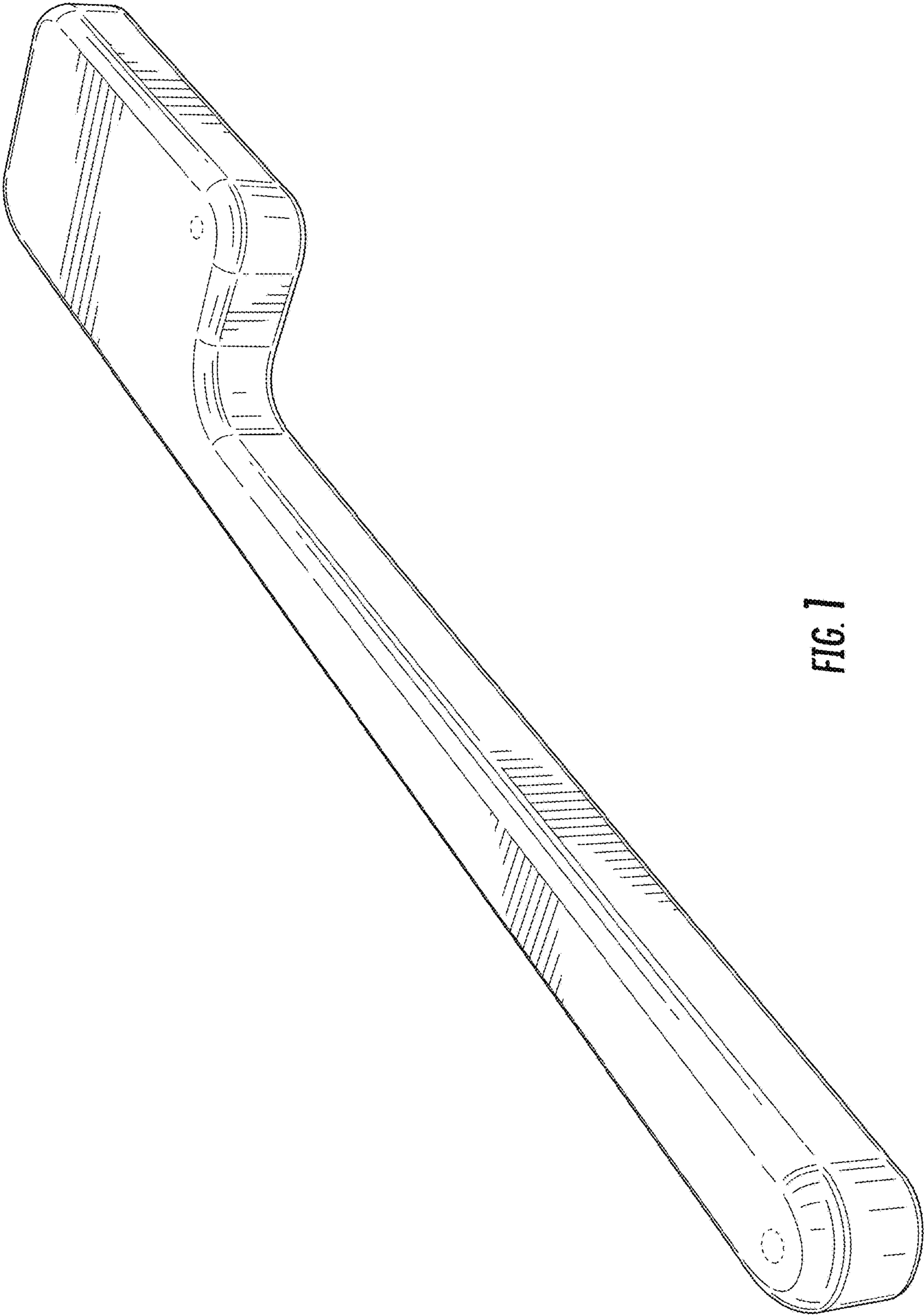


FIG. 1

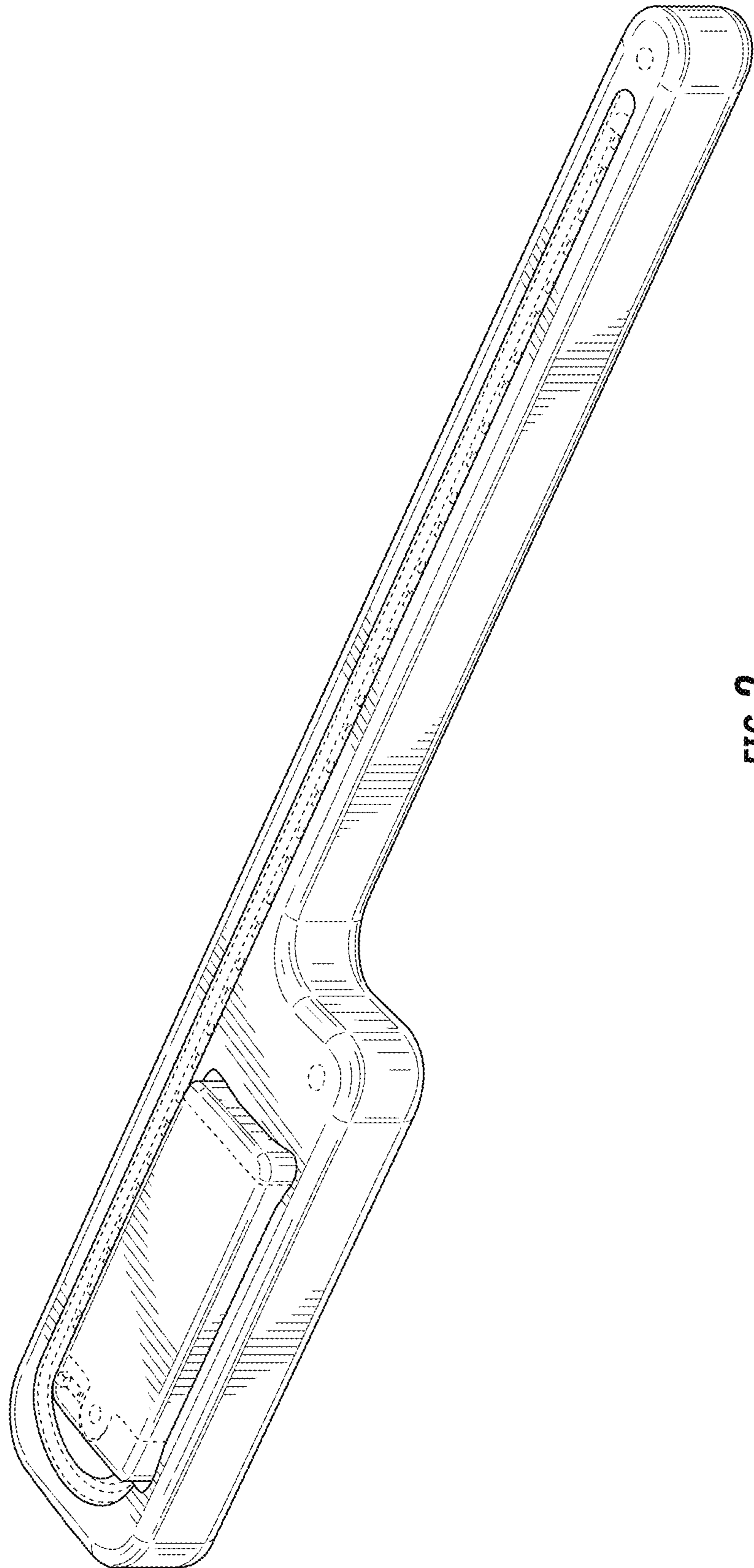


FIG. 2

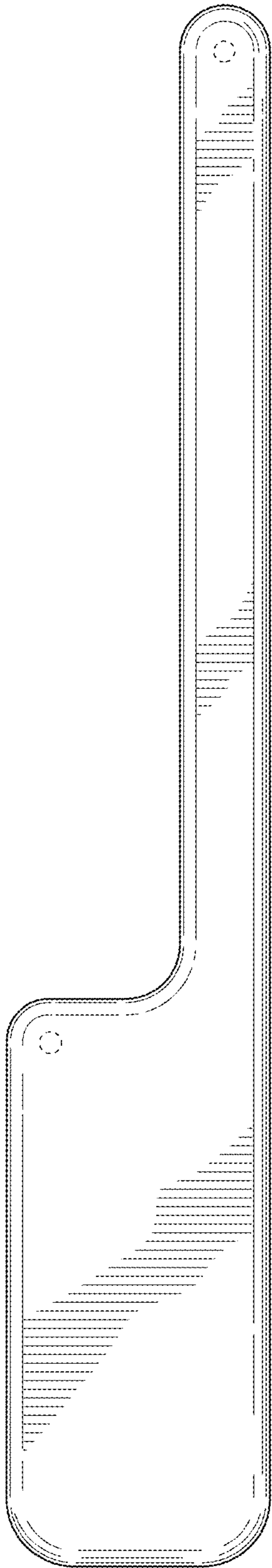


FIG. 3

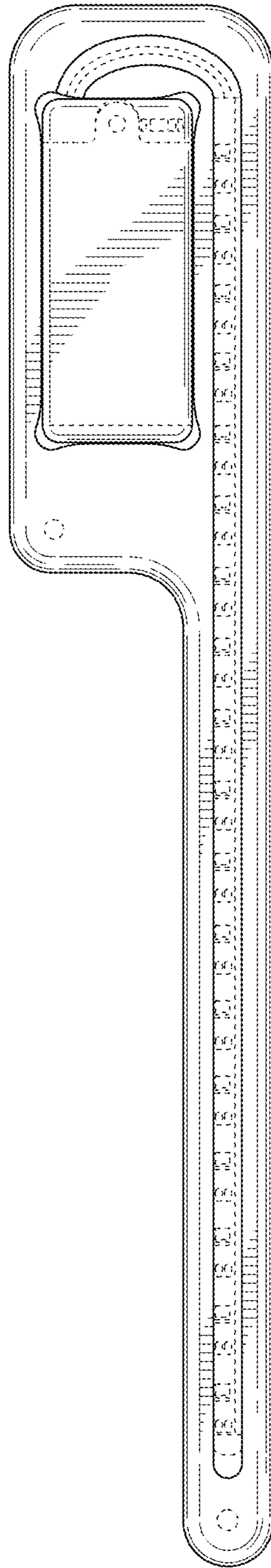


FIG. 4

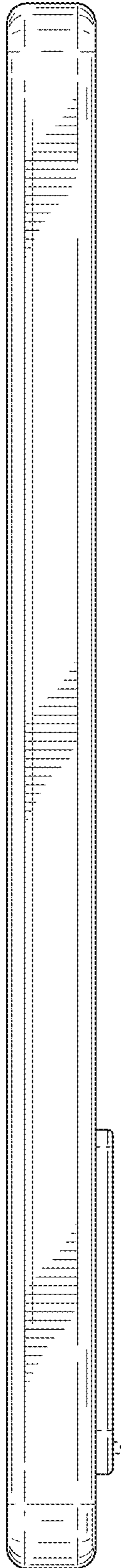


FIG. 5

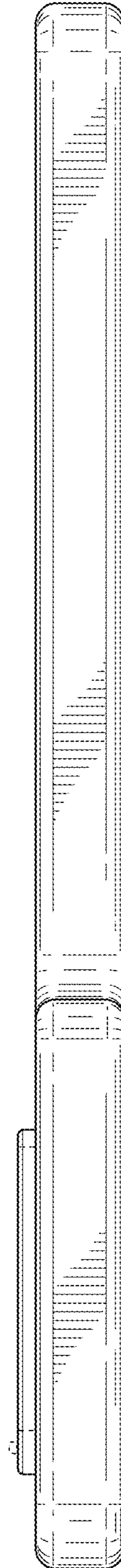
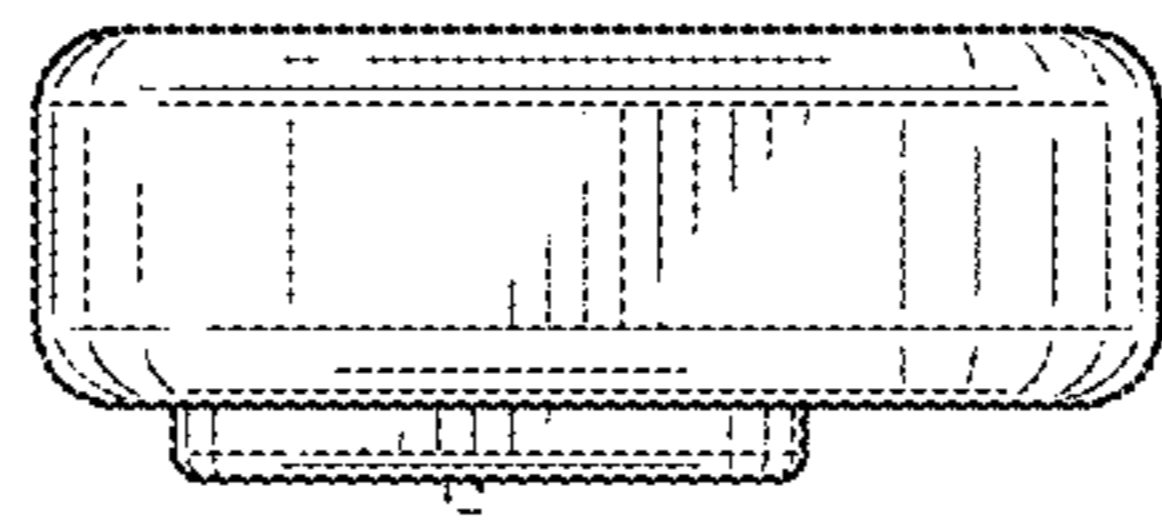
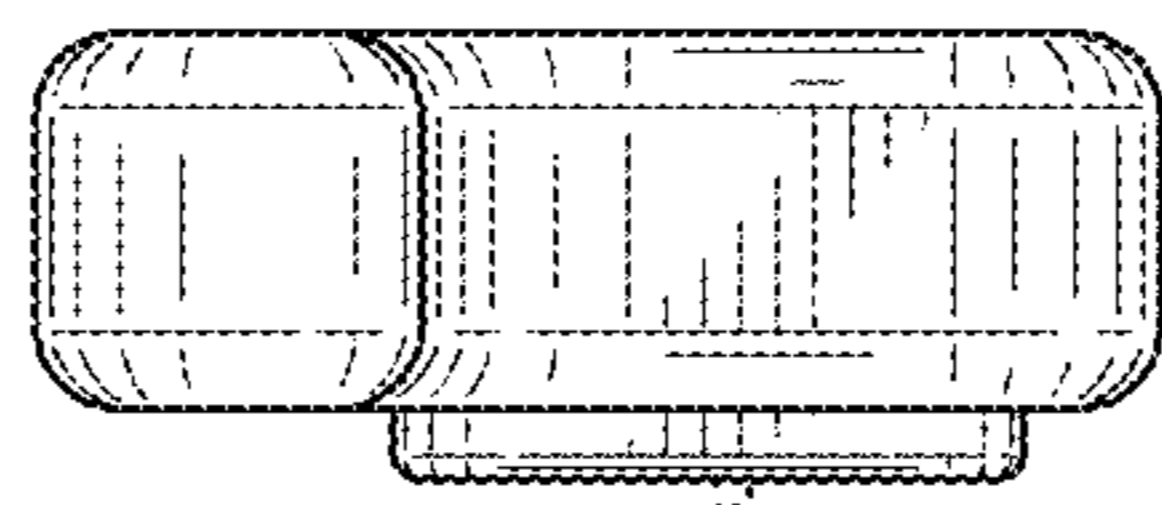


FIG. 6



**FIG. 7**



**FIG. 8**

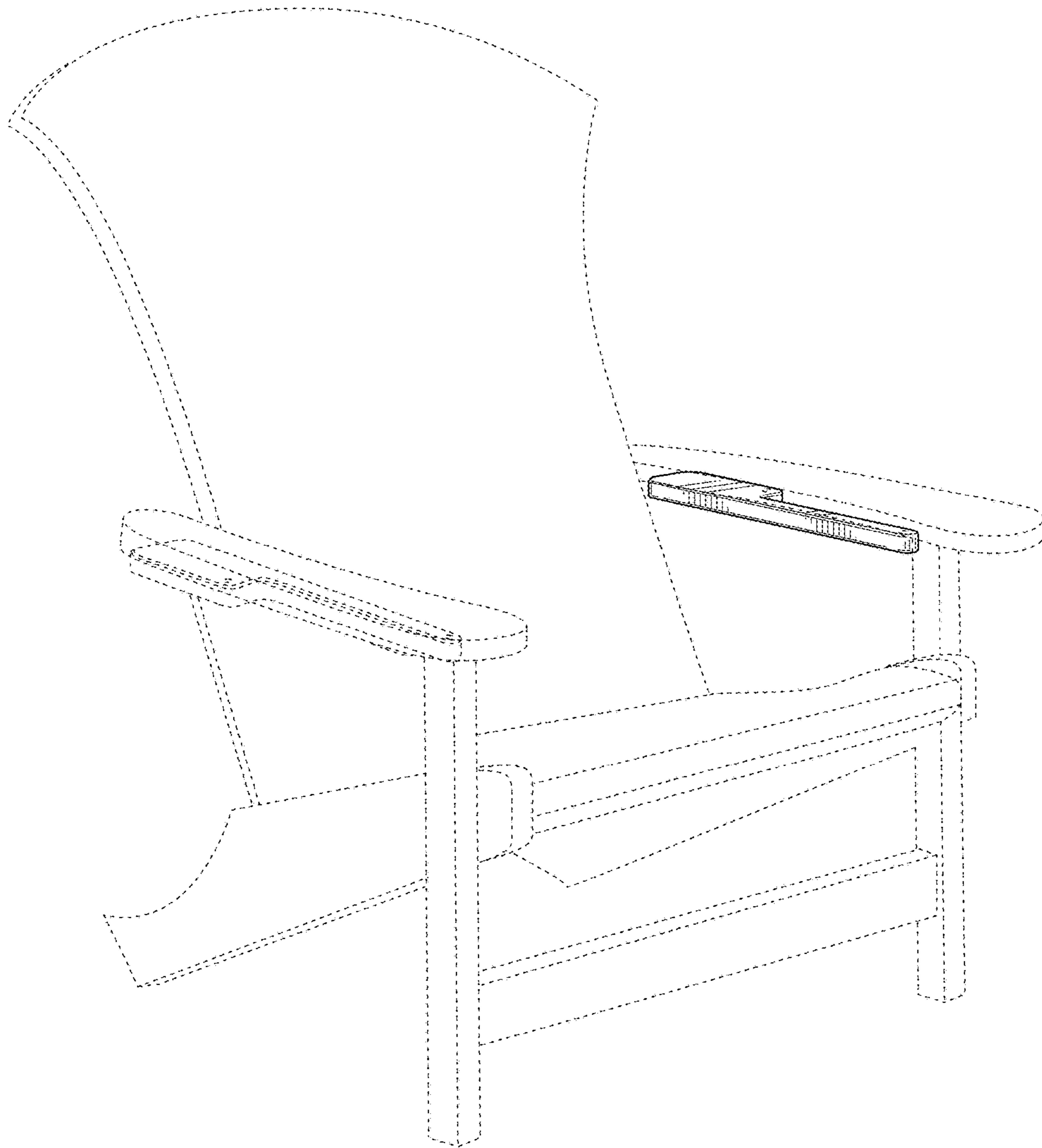


FIG. 9