



US00D800934S

(12) **United States Design Patent**  
**Hoffmeister**

(10) **Patent No.:** **US D800,934 S**

(45) **Date of Patent:** **\*\* \*Oct. 24, 2017**

(54) **LAMP**

(71) Applicant: **Hoffmeister Leuchten GmbH**,  
Schalksmühle (DE)

(72) Inventor: **Oliver Hoffmeister**, Lüdenscheid (DE)

(73) Assignee: **HOFFMEISTER LEUCHTEN**  
**GMBH**, Schalksmühle (DE)

(\*) Notice: This patent is subject to a terminal disclaimer.

(\*\*) Term: **14 Years**

(21) Appl. No.: **29/520,359**

(22) Filed: **Mar. 13, 2015**

(30) **Foreign Application Priority Data**

Sep. 15, 2014 (EM) ..... 002538181-0004

(51) **LOC (10) Cl.** ..... **26-01**

(52) **U.S. Cl.**  
USPC ..... **D26/51**

(58) **Field of Classification Search**  
USPC ..... D26/37, 38, 40, 41, 46, 50, 51, 72;  
362/157, 158, 171-174, 183, 184,  
362/194-196, 202-208, 253  
CPC ..... F21L 2003/00; F21L 4/00; F21L 4/005;  
F21L 4/02; F21L 4/025; F21L 4/027;  
F21L 4/04; F21L 4/08; F21L 2005/00;  
F21L 7/00; F21L 11/00; F21L 13/00;  
F21L 13/04; F21L 13/08; F21L 14/02;  
F21L 17/00

See application file for complete search history.

(56) **References Cited**

**U.S. PATENT DOCUMENTS**

D261,052 S \* 9/1981 Henkels ..... D26/46  
D277,415 S \* 1/1985 Berger ..... D26/46

D317,310 S \* 6/1991 Schwartz ..... D13/168  
D340,300 S \* 10/1993 Yuen ..... D14/168  
D343,469 S \* 1/1994 Yuen ..... D26/46  
D362,816 S \* 10/1995 Yuen ..... D10/106.1  
D404,159 S \* 1/1999 Klaus ..... D26/72  
D411,324 S \* 6/1999 Roorda ..... D26/72  
D434,867 S \* 12/2000 Merrell ..... D26/37  
D439,688 S \* 3/2001 Suzuki ..... D26/37  
D477,432 S \* 7/2003 Parsons ..... D26/37  
D518,584 S \* 4/2006 Chan ..... D26/37  
D520,659 S \* 5/2006 Yuen ..... D26/38  
D554,781 S \* 11/2007 Shiu ..... D26/37  
D587,830 S \* 3/2009 Ma ..... D26/37  
D627,091 S \* 11/2010 Zhang ..... D26/37  
D699,378 S \* 2/2014 DiLuciano ..... D26/37  
D739,585 S \* 9/2015 Chun ..... D26/38  
D739,973 S \* 9/2015 Chao ..... D13/108  
D747,522 S \* 1/2016 Sheikh ..... D22/117

\* cited by examiner

*Primary Examiner* — Lakiya Rogers

*Assistant Examiner* — Carissa C Fitts

(74) *Attorney, Agent, or Firm* — Faegre Baker Daniels, LLP

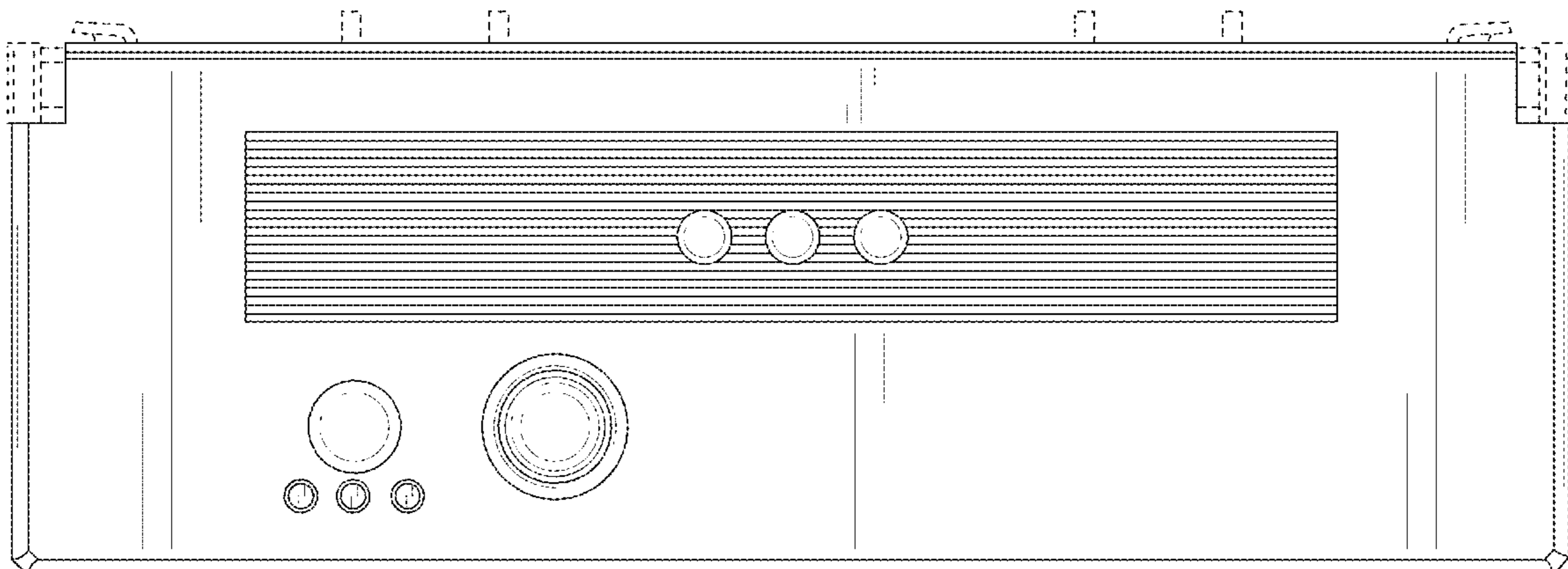
(57) **CLAIM**

The ornamental design for a lamp, as shown and described.

**DESCRIPTION**

FIG. 1 is a front view of lamp illustrating my new design; FIG. 2 is a top view thereof; FIG. 3 is a bottom view thereof; FIG. 4 is a rear view thereof; FIG. 5 is a left side view thereof; FIG. 6 is a right side view thereof; and, FIG. 7 is a front perspective view thereof. The broken line showing represents portions of the article not claimed and forms no part of the claimed design. The lamp may be used in electric cabinets.

**1 Claim, 7 Drawing Sheets**



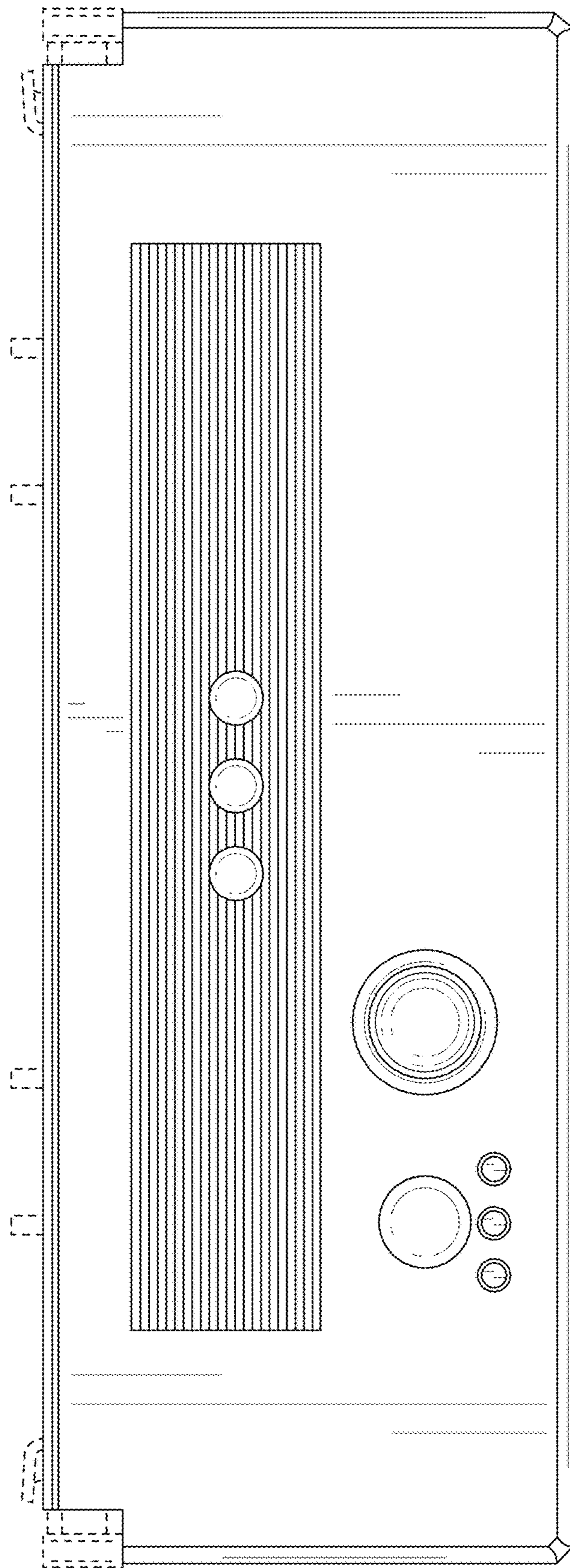


FIG. 1

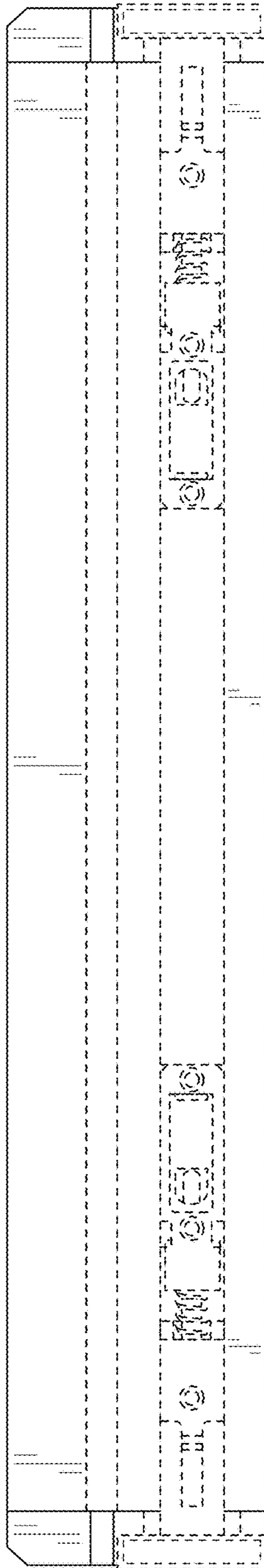


FIG. 2

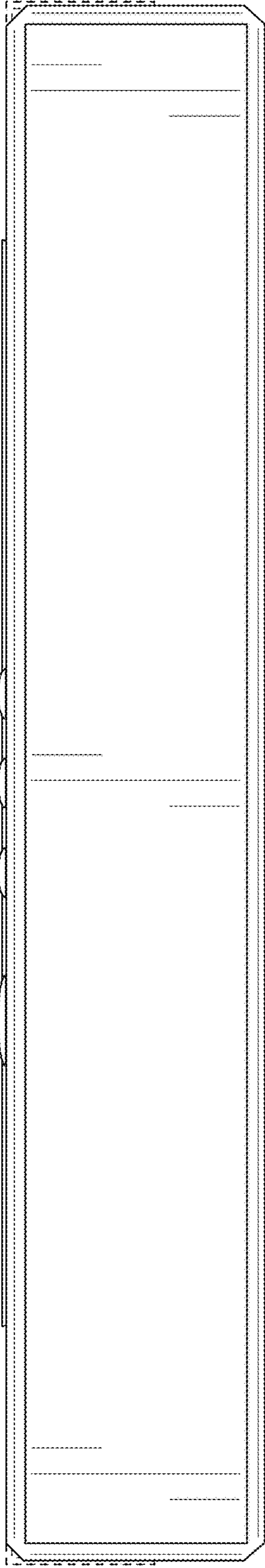


FIG. 3



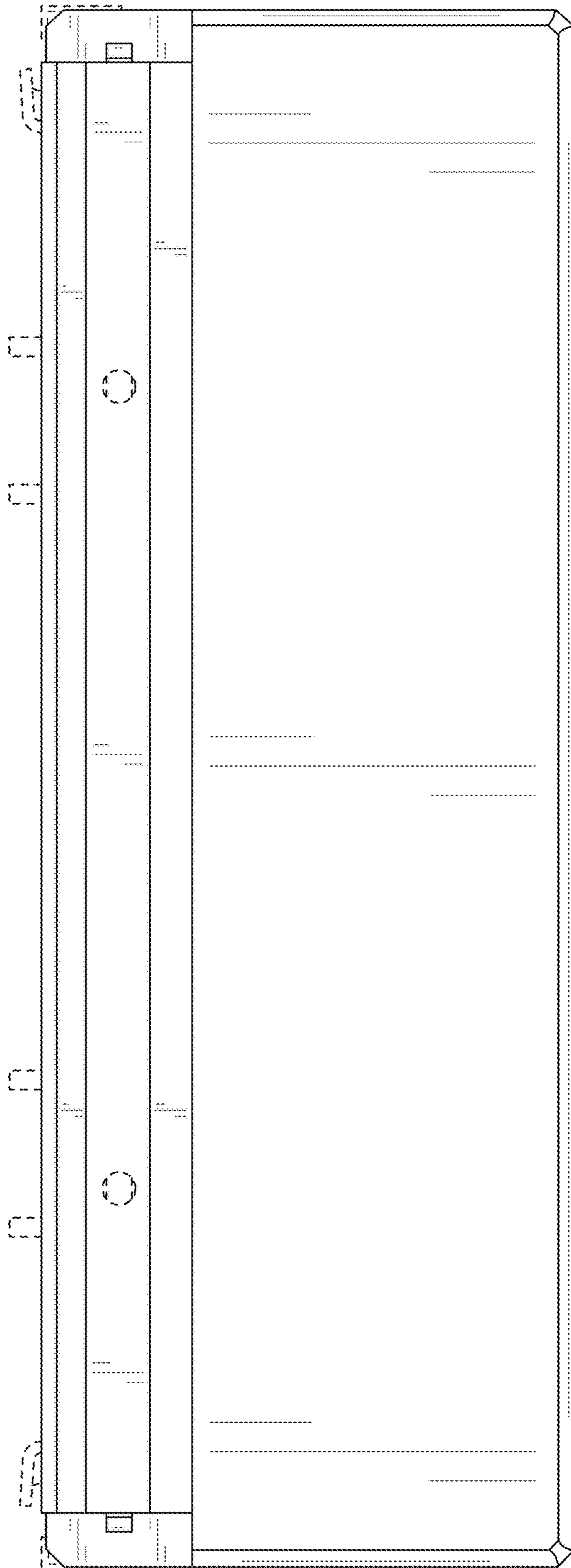


FIG. 4

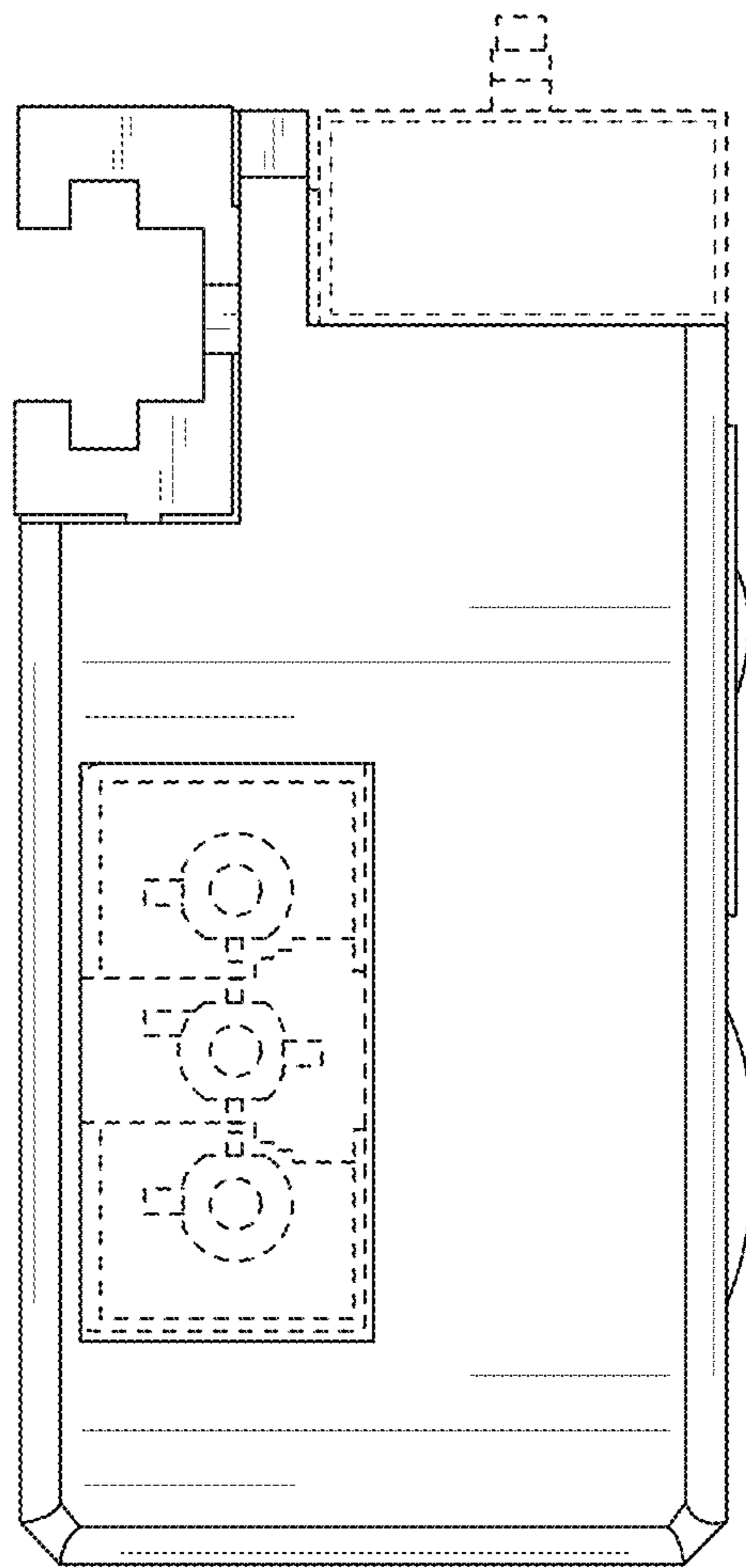


FIG. 5

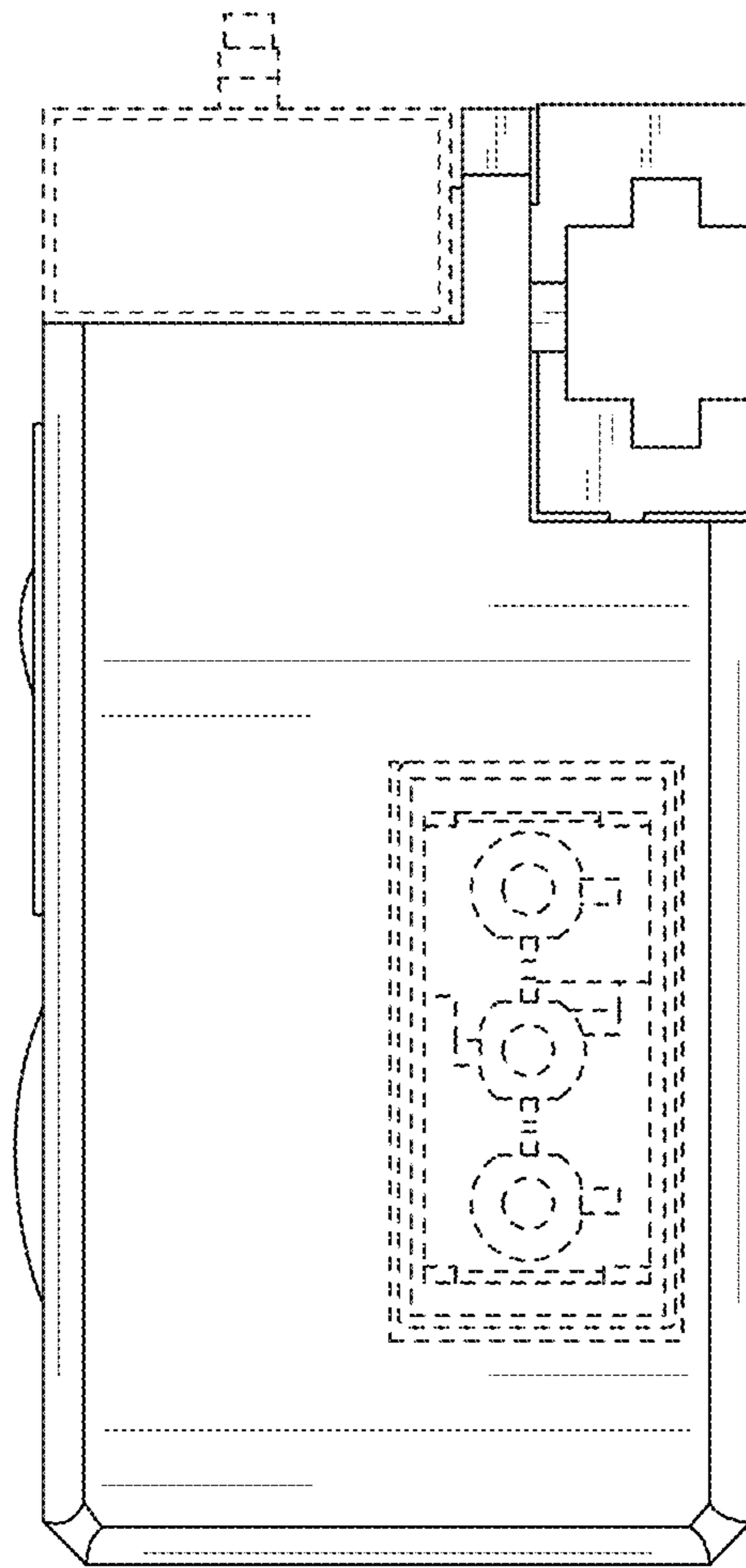


FIG. 6

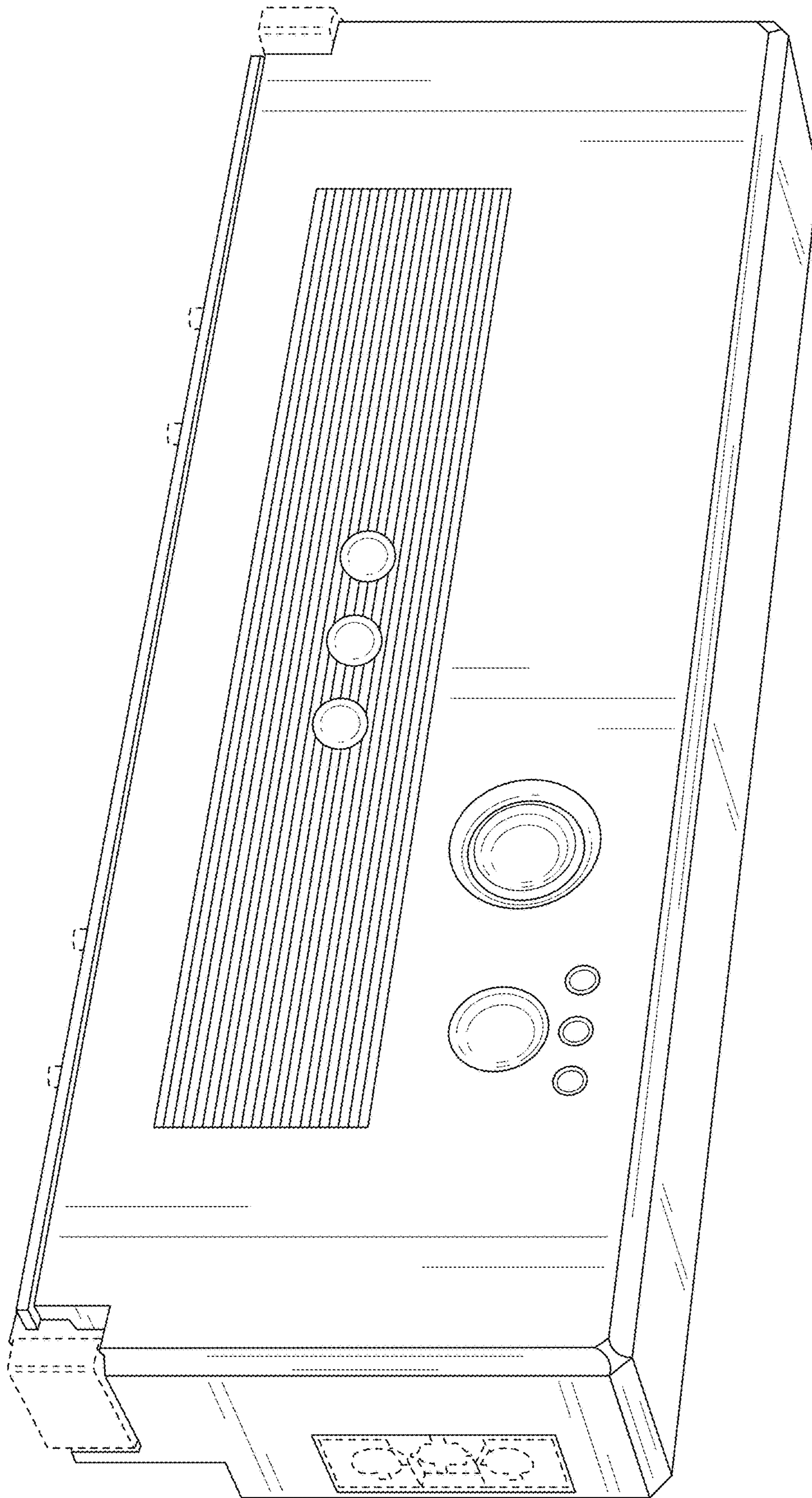


FIG. 7