



US00D800933S

(12) **United States Design Patent**  
**Chiu et al.**

(10) **Patent No.:** **US D800,933 S**

(45) **Date of Patent:** **\*\* Oct. 24, 2017**

(54) **AUXILIARY LAMP FOR A VEHICLE**

D657,081 S \* 4/2012 Alisaukas ..... D26/28  
D670,839 S \* 11/2012 Smarslik ..... D26/28  
D694,920 S \* 12/2013 Jurgens ..... D26/28

(71) Applicant: **OSRAM GmbH**, Munich (DE)

\* cited by examiner

(72) Inventors: **Huan-Ping Chiu**, Tainan (TW);  
**Min-Chang Kao**, Tainan (TW); **Carole Schwach**, Shanghai (CN)

*Primary Examiner* — Marcus Jackson

(74) *Attorney, Agent, or Firm* — Viering, Jentschura & Partner mbB

(73) Assignee: **OSRAM GmbH**, Munich (DE)

(57) **CLAIM**

(\*\*) Term: **15 Years**

The ornamental design for auxiliary lamp for a vehicle, as shown and described.

(21) Appl. No.: **29/569,737**

**DESCRIPTION**

(22) Filed: **Jun. 30, 2016**

(51) **LOC (10) Cl.** ..... **26-06**

(52) **U.S. Cl.**  
USPC ..... **D26/28**

(58) **Field of Classification Search**  
USPC ..... D26/28-36; 362/80-83, 267-269,  
362/459-468, 475-478, 485-487  
CPC ..... F21S 48/00; F21S 48/10; F21S 48/115;  
F21S 48/1233; F21S 48/1266; F21S  
48/1388; F21S 48/2268; F21V 21/04;  
B60Q 9/13; B60Q 9/135; B60Q 9/1375  
See application file for complete search history.

FIG. 1 is a perspective view of the auxiliary lamp for a vehicle

FIG. 2 is a right side view of the auxiliary lamp for a vehicle

FIG. 3 is a left side view of the auxiliary lamp for a vehicle

FIG. 4 is a front view of the auxiliary lamp for a vehicle

FIG. 5 is a back view of the auxiliary lamp for a vehicle

FIG. 6 is a top view of the auxiliary lamp for a vehicle

FIG. 7 is a bottom view of the auxiliary lamp for a vehicle

FIG. 8 is a right side cross-sectional view of the auxiliary lamp for a vehicle which is cross-sectional view of FIG. 4 along the line 8-8; and,

FIG. 9 is a top cross-sectional view of the auxiliary lamp for a vehicle which is cross-sectional view of FIG. 4 along the line 9-9.

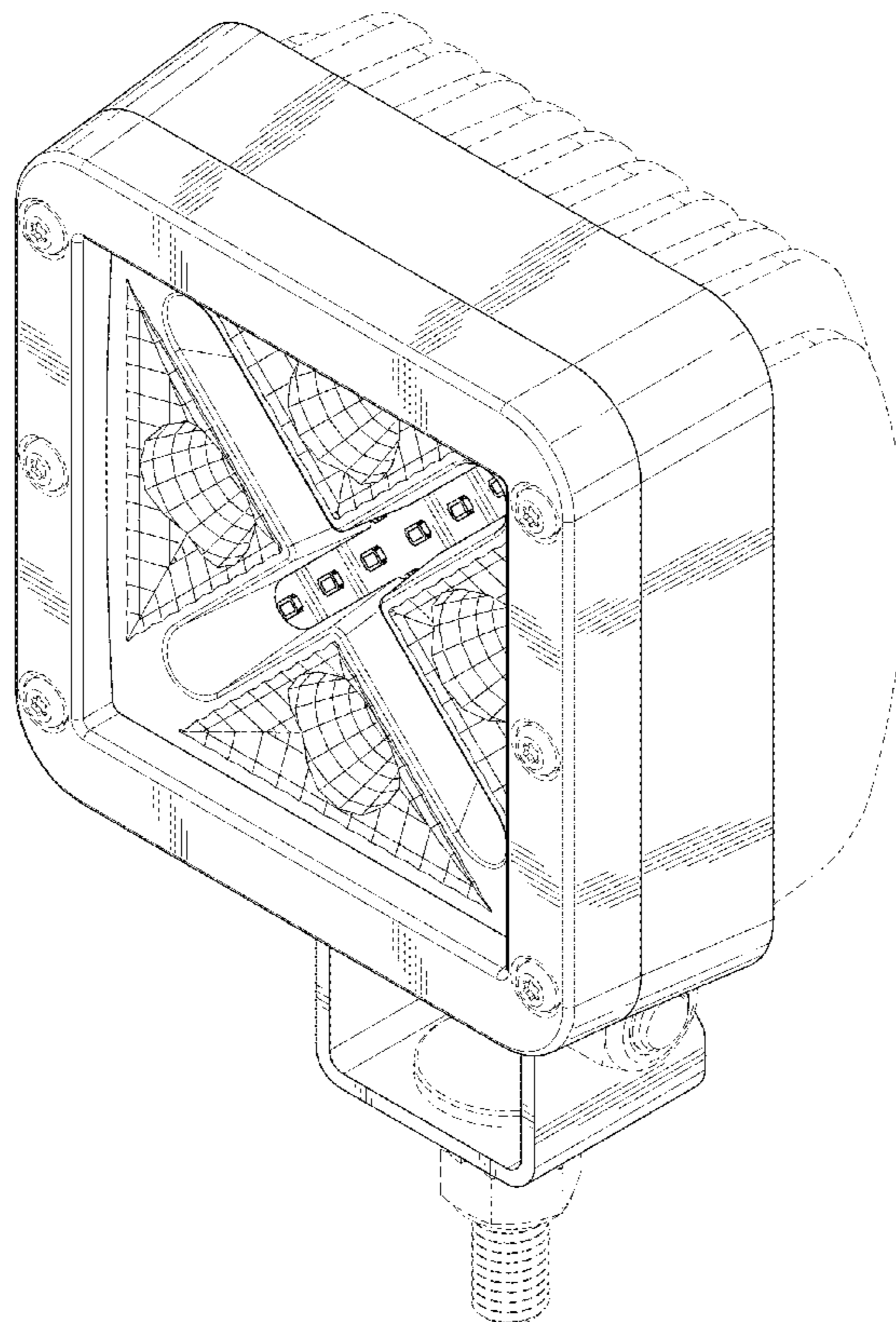
The broken lines illustrate portions of the auxiliary lamp for a vehicle that form no part of the claim.

(56) **References Cited**

**U.S. PATENT DOCUMENTS**

D601,727 S \* 10/2009 Huang ..... D26/28  
D626,670 S \* 11/2010 Metzger ..... D26/28

**1 Claim, 9 Drawing Sheets**



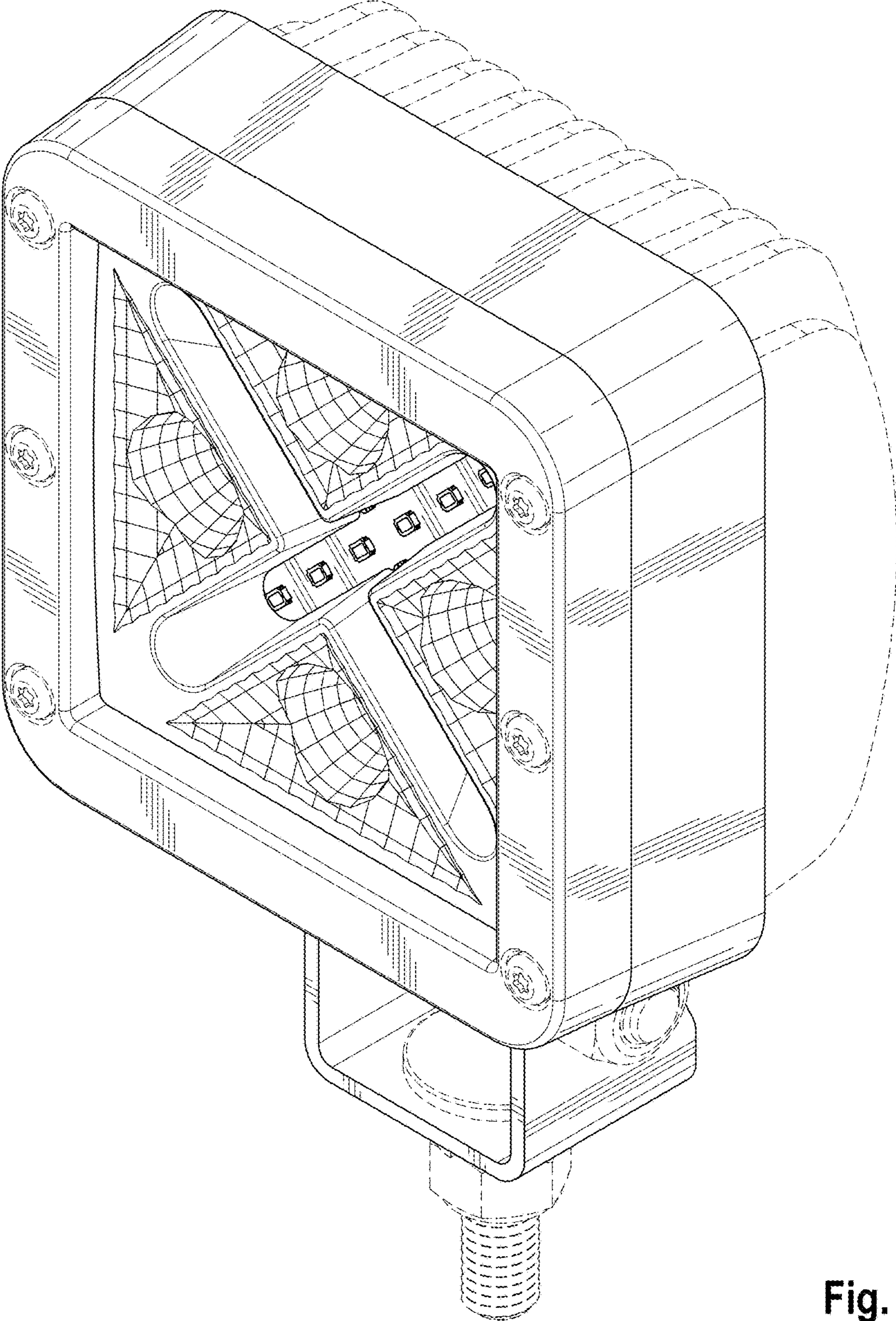


Fig. 1

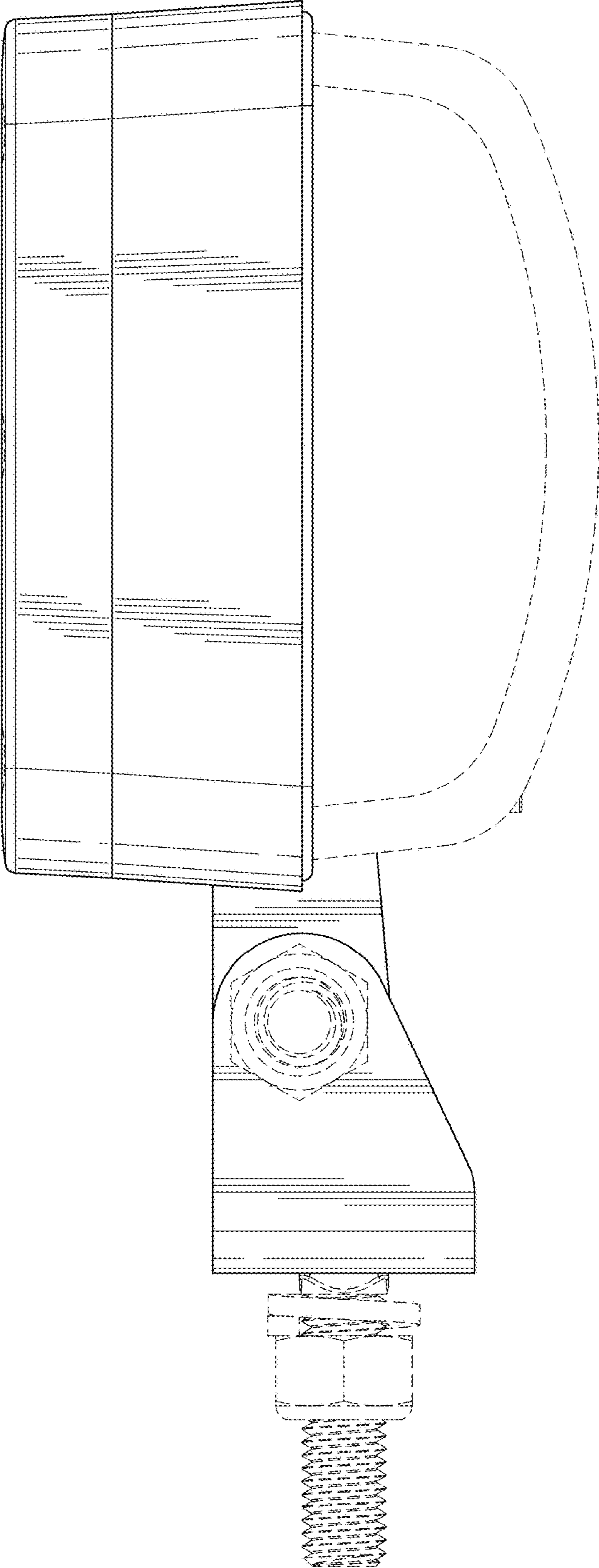


Fig. 2

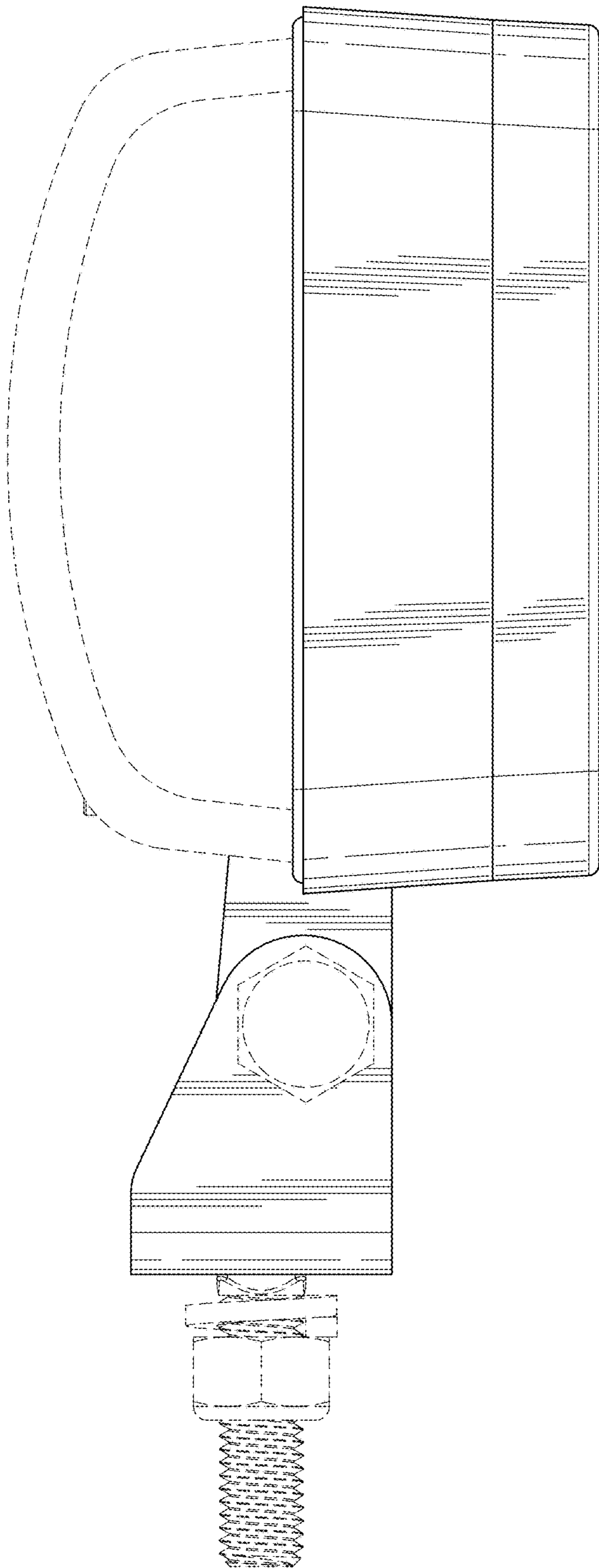


Fig. 3

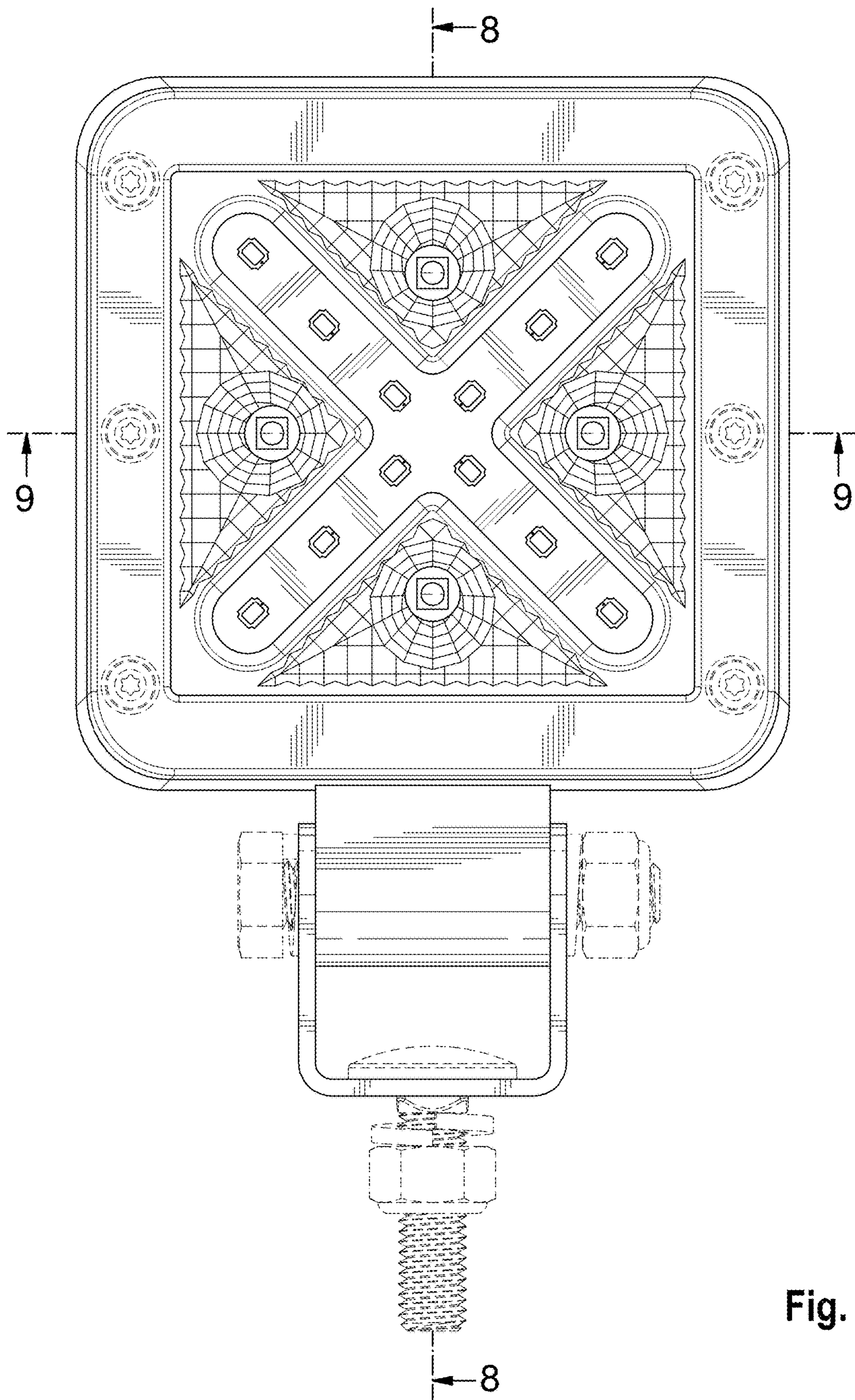


Fig. 4

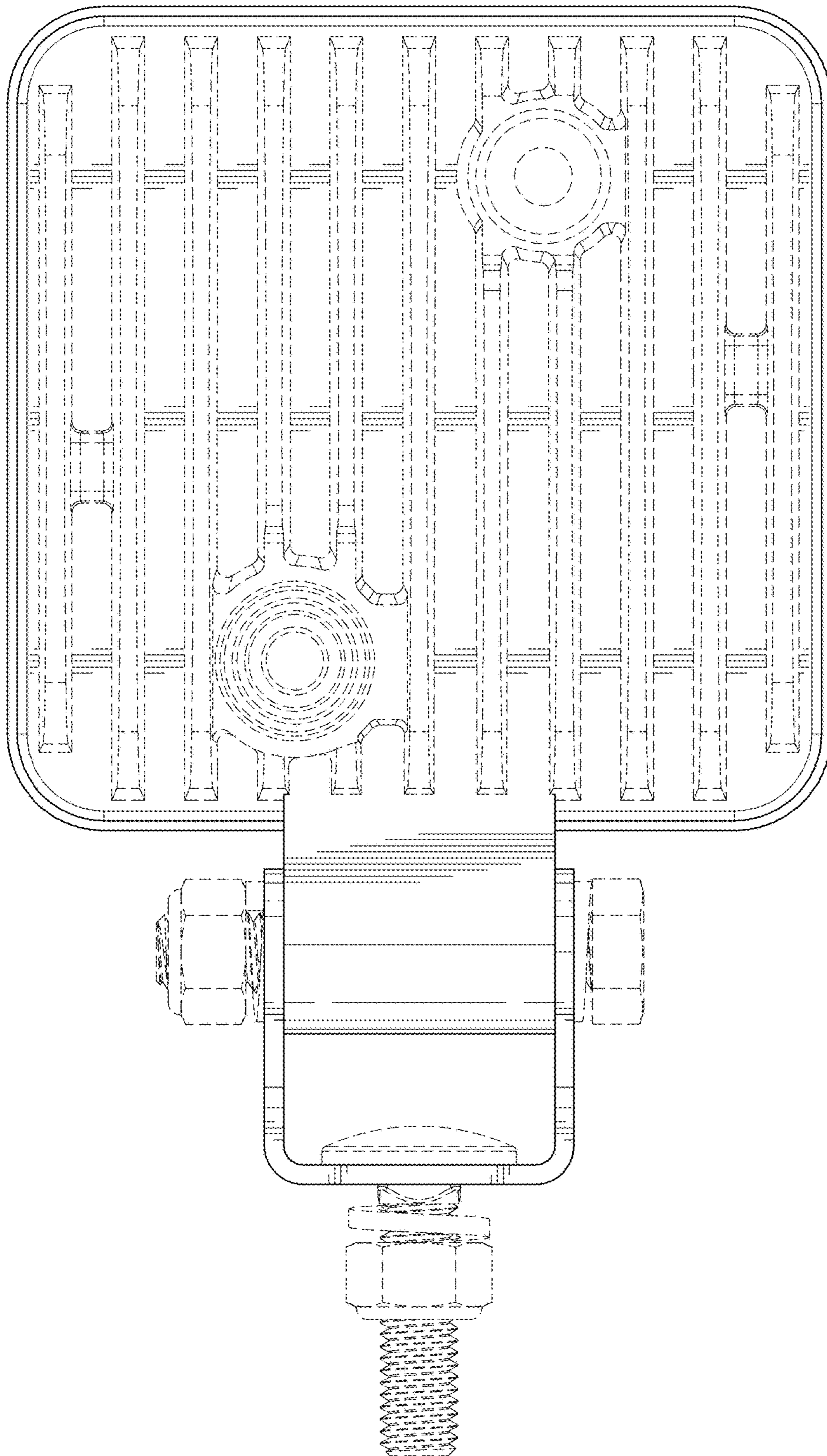


Fig. 5

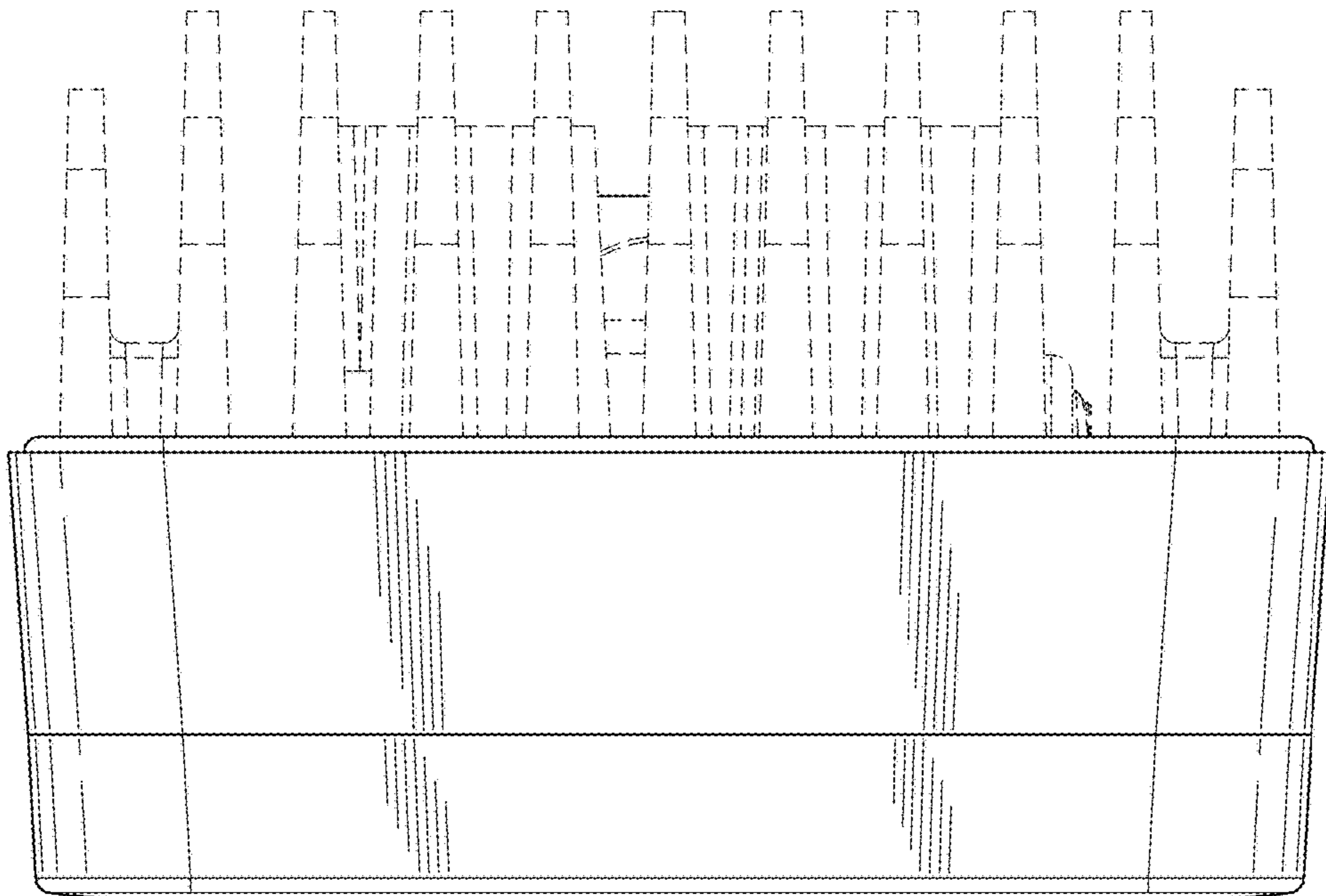


Fig. 6

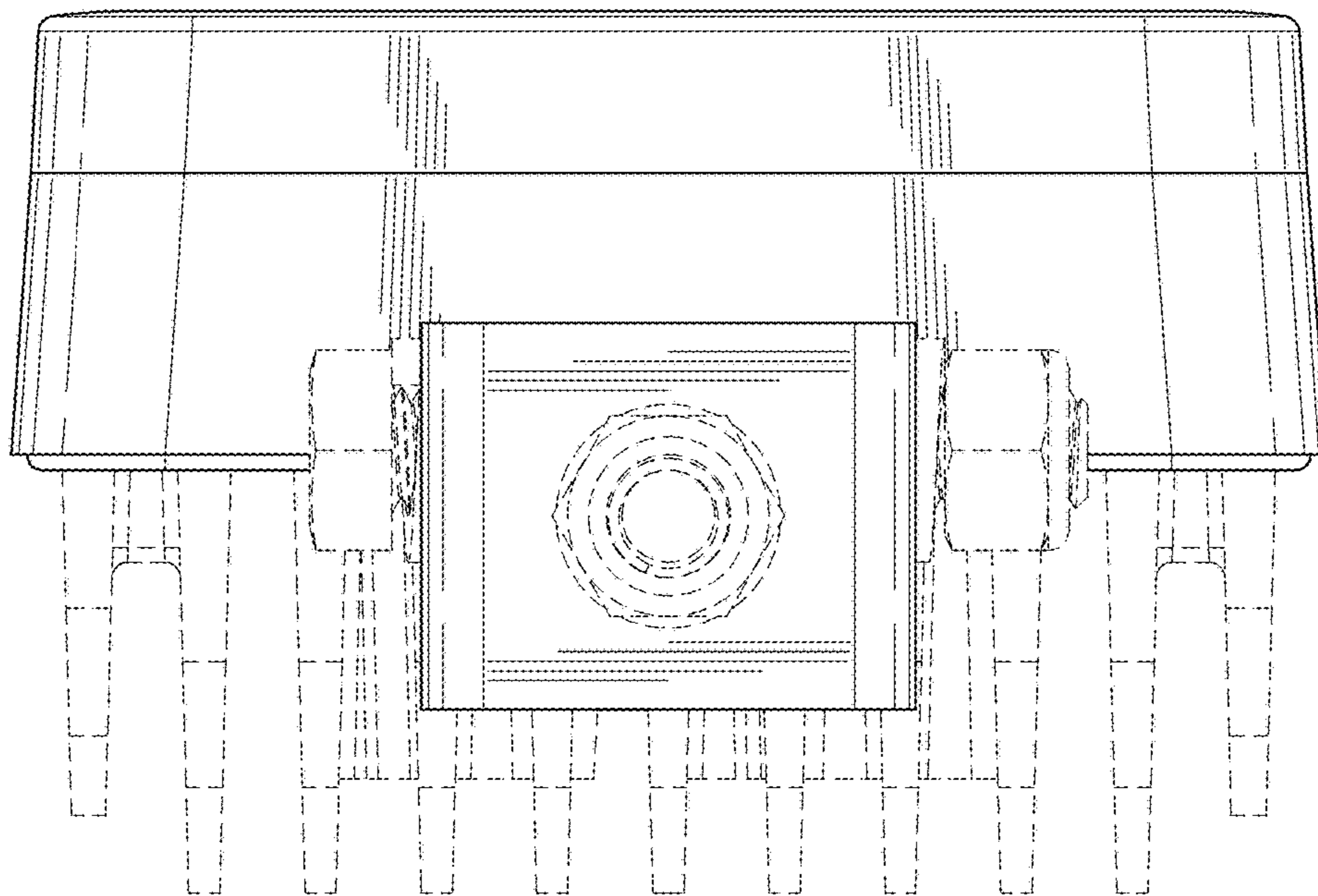


Fig. 7



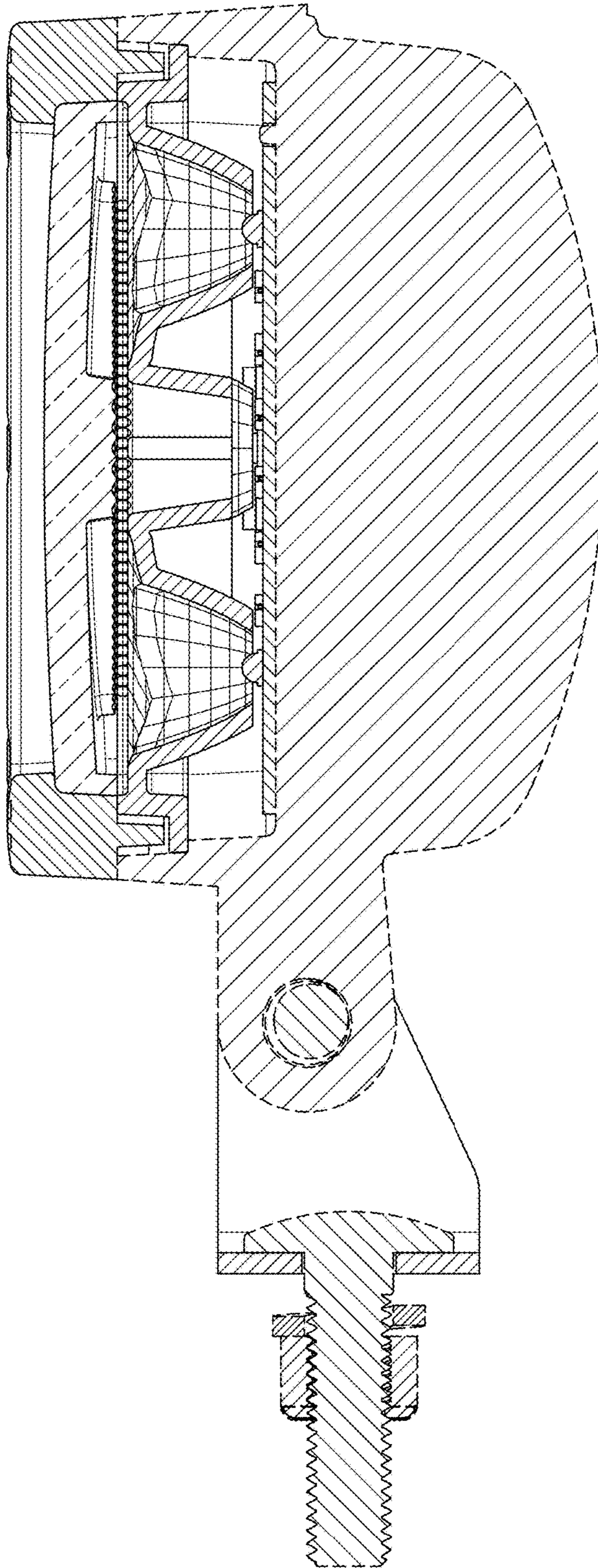


Fig. 8  
8-8

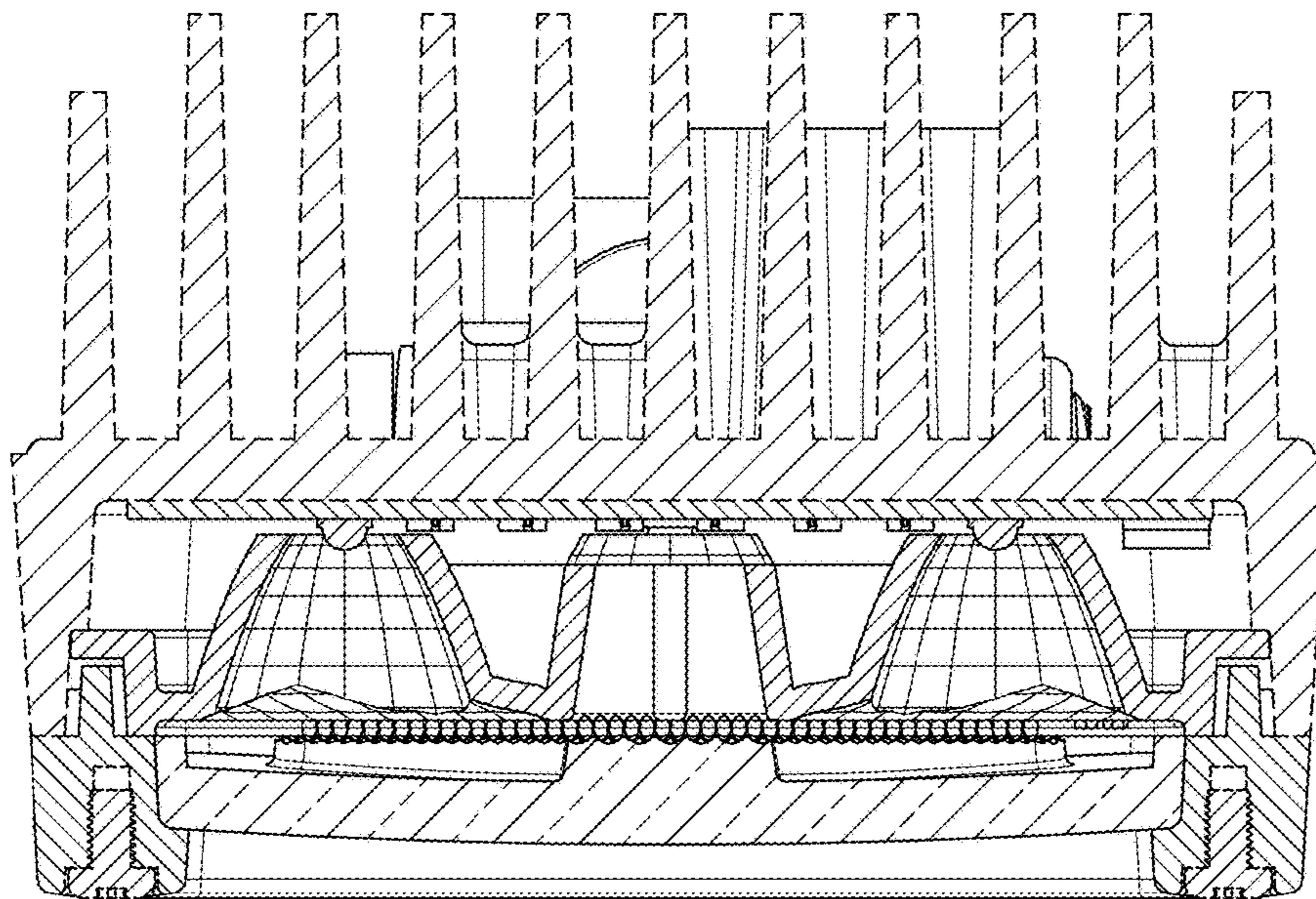


Fig. 9  
9-9