



US00D800931S

(12) **United States Design Patent** (10) **Patent No.:** **US D800,931 S**
Lai (45) **Date of Patent:** **** *Oct. 24, 2017**

(54) **VEHICLE FOG LIGHT**
(71) Applicant: **Ching-Tsung Lai**, Tainan (TW)
(72) Inventor: **Ching-Tsung Lai**, Tainan (TW)
(*) Notice: This patent is subject to a terminal disclaimer.
(**) Term: **15 Years**

D593,231 S *	5/2009	Koman	D26/28
D642,711 S *	8/2011	Schneider	D26/28
D676,163 S *	2/2013	Tanaka	D26/28
D706,470 S *	6/2014	Lai	D26/28
D718,479 S *	11/2014	Lai	D26/28
D743,070 S *	11/2015	Lai	D26/28
D745,725 S *	12/2015	McMahan	D26/28
D747,518 S *	1/2016	Lai	D26/28
D747,822 S *	1/2016	Tsai	D26/28
D761,462 S *	7/2016	Lai	D26/28
D770,648 S *	11/2016	Lai	D26/28

(21) Appl. No.: **29/550,315**
(22) Filed: **Dec. 31, 2015**
(51) **LOC (10) Cl.** **26-07**
(52) **U.S. Cl.**
USPC **D26/28**
(58) **Field of Classification Search**
USPC D26/28-36; 362/459-468, 475-478,
362/485-487
CPC F21S 48/00; F21S 48/10; F21S 48/115;
F21S 48/225; F21S 48/1233; F21S
48/1266; F21S 48/1388; F21S 48/2268;
F21V 21/04
See application file for complete search history.

* cited by examiner

Primary Examiner — Angela J Lee
(74) *Attorney, Agent, or Firm* — Alexander Chen, Esq.

(57) **CLAIM**

The ornamental design for a vehicle fog light, as shown and described.

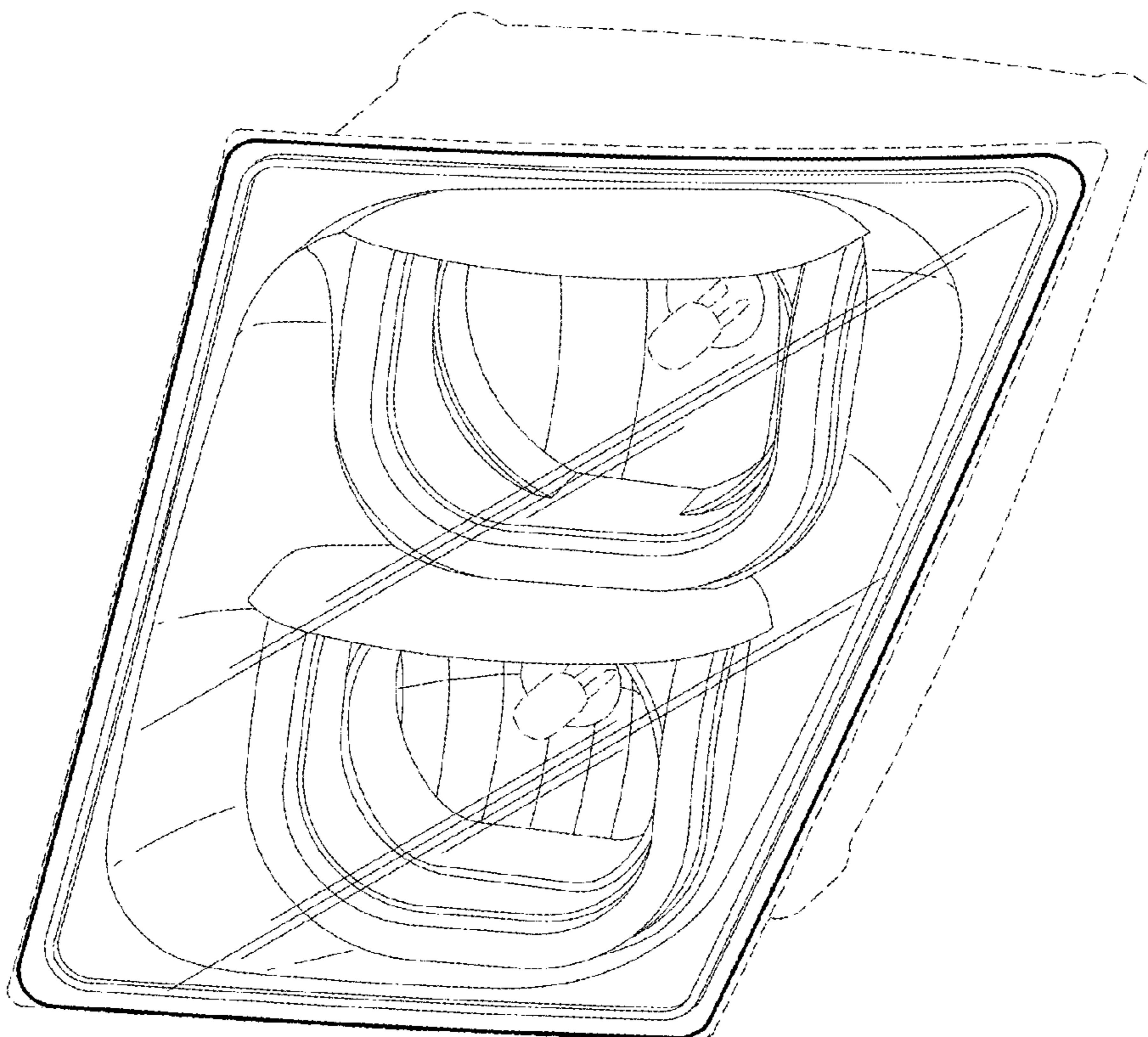
DESCRIPTION

FIG. 1 is a perspective view of a vehicle fog light.
FIG. 2 is a front view thereof;
FIG. 3 is a side view thereof; and,
FIG. 4 is a top view thereof.

The drawings and descriptions disclose a first embodiment showing a left side and the claim includes a mirror image embodiment. The broken lines in the drawings are included to show environment and form no part of the claimed design.

(56) **References Cited**
U.S. PATENT DOCUMENTS
D481,806 S * 11/2003 Lin D26/28
D504,734 S * 5/2005 Weng D26/28

1 Claim, 4 Drawing Sheets



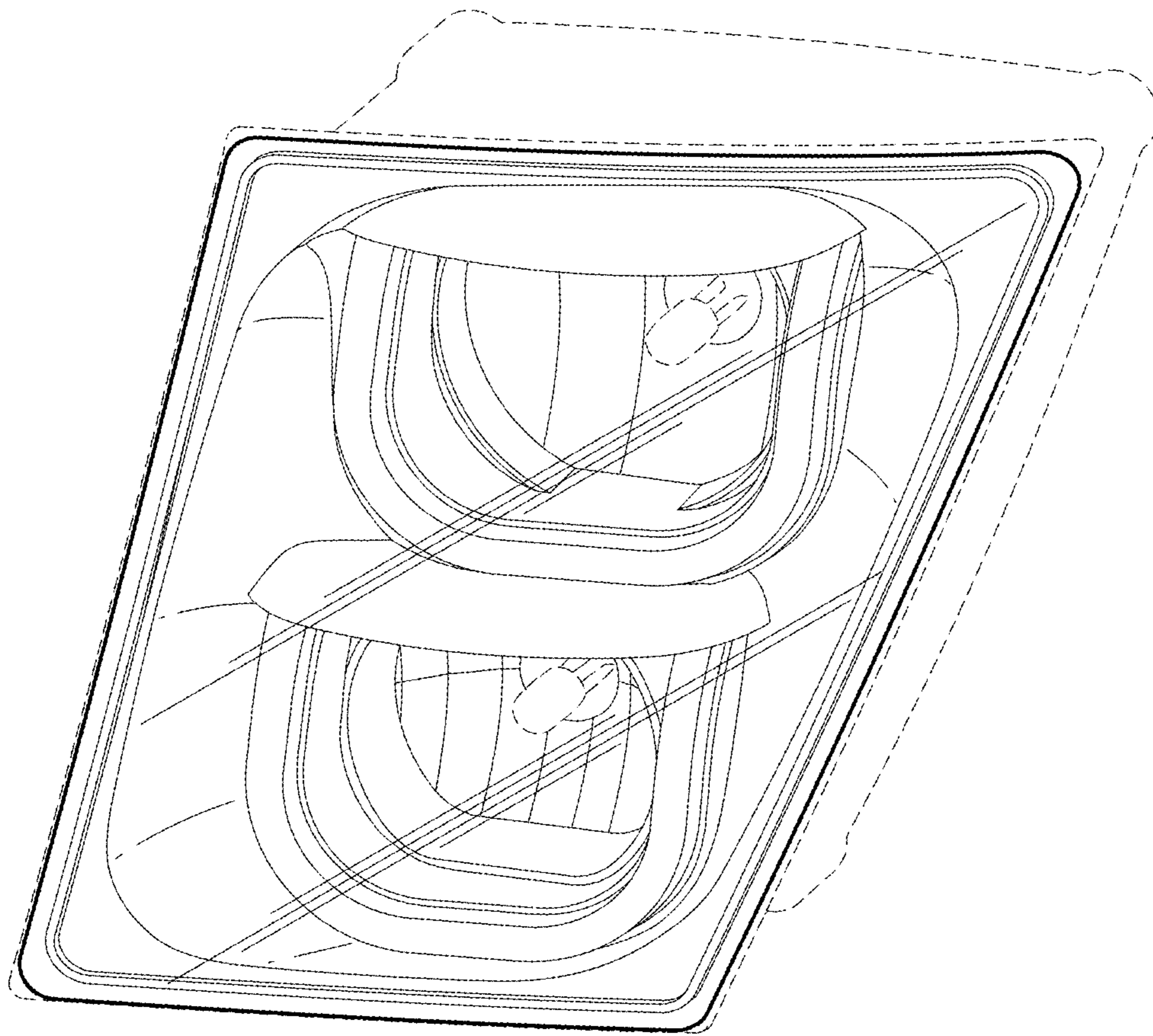


FIG. 1

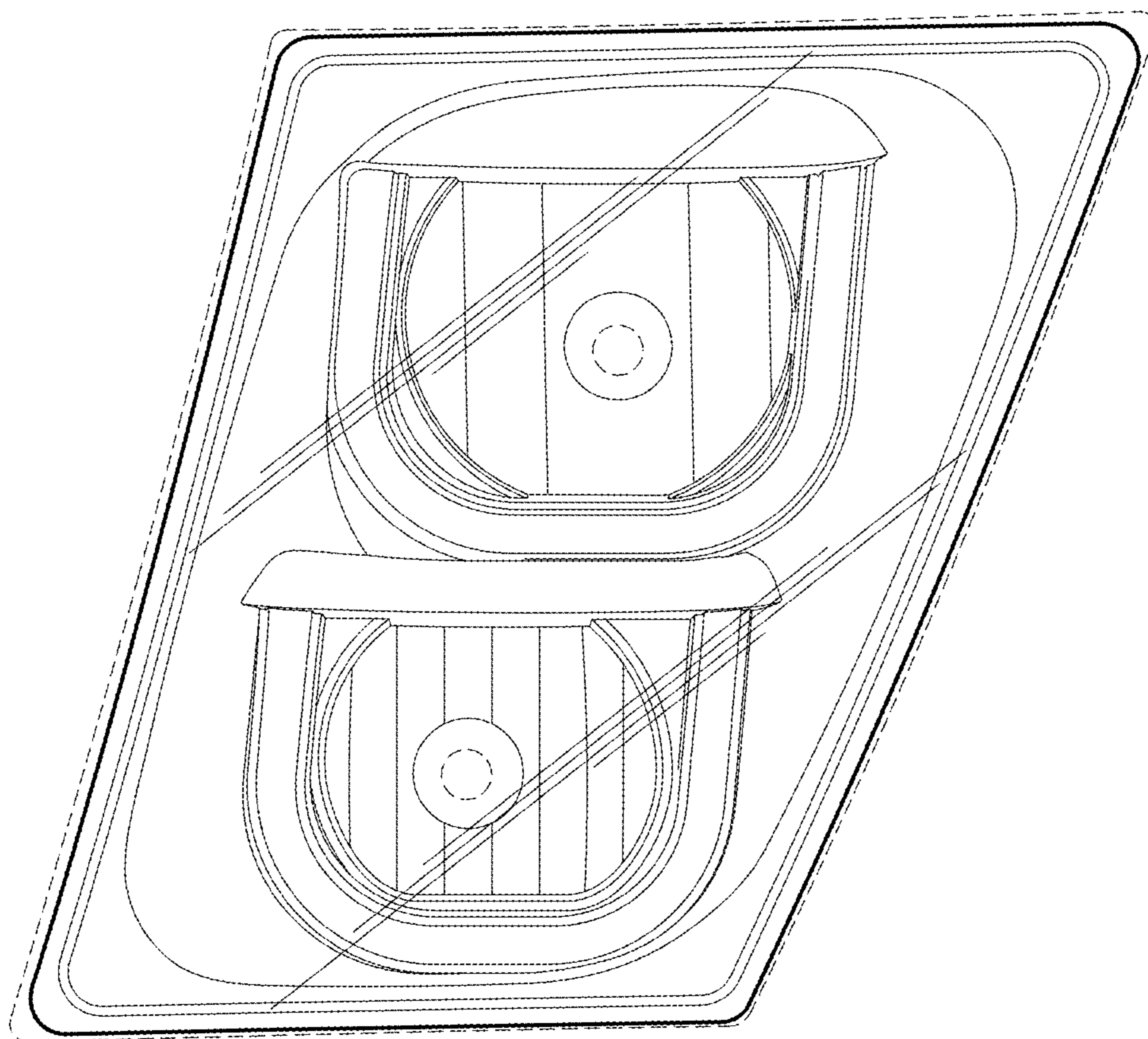


FIG. 2

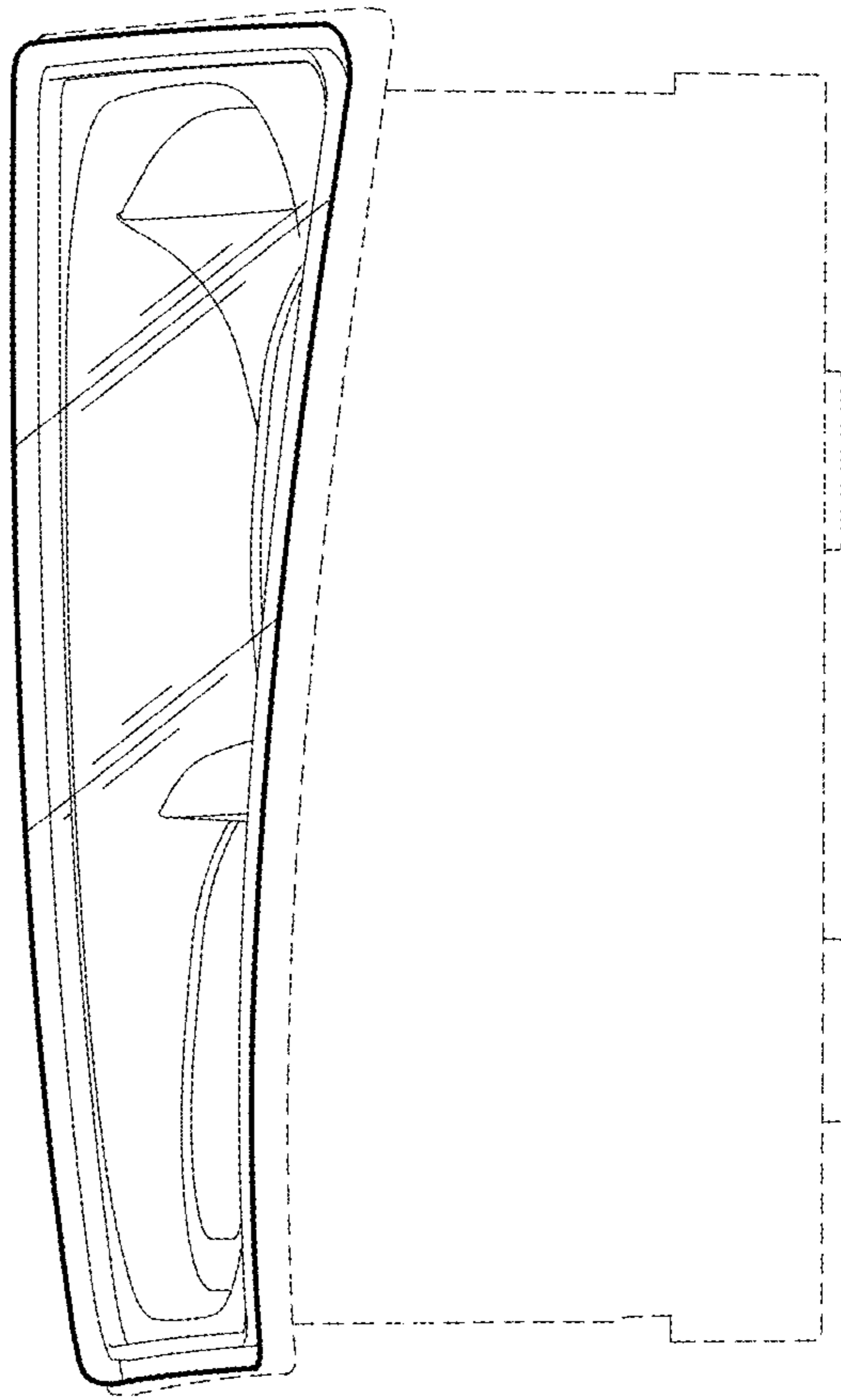


FIG. 3

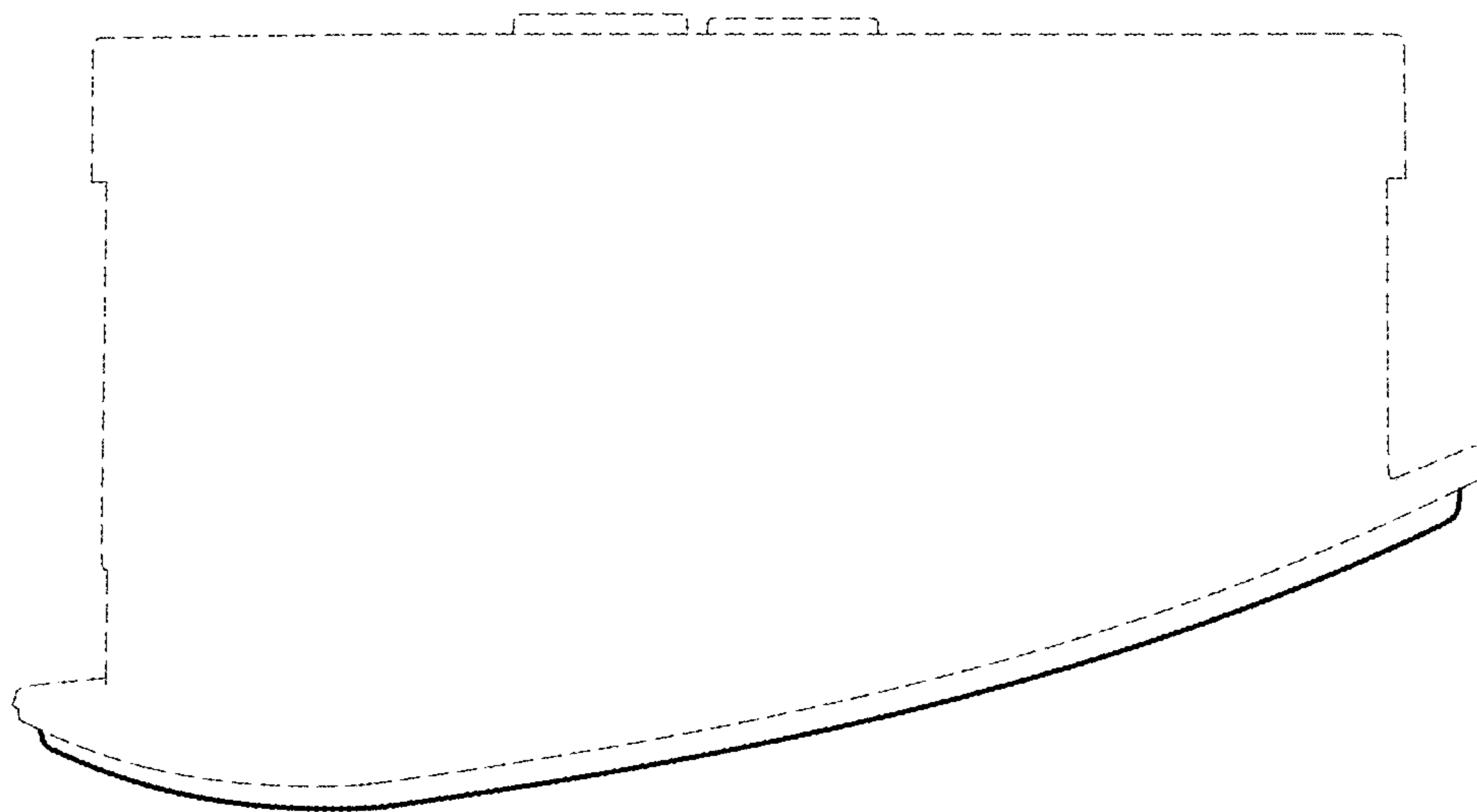


FIG. 4