



US00D800928S

(12) **United States Design Patent**
Xu et al.

(10) **Patent No.:** **US D800,928 S**

(45) **Date of Patent:** **** Oct. 24, 2017**

(54) **LED LAMP**

D584,838 S * 1/2009 To D26/2
D610,722 S * 2/2010 Bi D26/2
D677,806 S * 3/2013 Jiang D26/2

(71) Applicant: **JIAXING SUPER LIGHTING
ELECTRIC APPLIANCE CO., LTD,**
Zhejiang (CN)

* cited by examiner

(72) Inventors: **Jin-Feng Xu,** Zhejiang (CN); **Yong-si
Bi,** Zhejiang (CN); **Chang Yang,**
Zhejiang (CN)

Primary Examiner — Marcus Jackson

(74) *Attorney, Agent, or Firm* — Andrew M. Calderon;
Roberts Mlotkowski Safran Cole & Calderon, P.C.

(73) Assignee: **JIAXING SUPER LIGHTING
ELECTRIC APPLIANCE CO., LTD.,**
Zhejiang (CN)

(57) **CLAIM**

(**) Term: **15 Years**

The ornamental design for an LED lamp, as shown and described.

(21) Appl. No.: **29/580,175**

(22) Filed: **Oct. 6, 2016**

(30) **Foreign Application Priority Data**

DESCRIPTION

Apr. 29, 2016 (CN) 2016 3 0152355
Apr. 29, 2016 (CN) 2016 3 0152368

(51) **LOC (10) Cl.** **26-04**

(52) **U.S. Cl.**
USPC **D26/2**

(58) **Field of Classification Search**
USPC D26/1-4; 313/313, 315, 316, 317, 318,
313/493; 315/52, 53, 56, 57, 58
CPC H01R 5/00; H01R 13/46; H01R 13/048;
H01R 13/514; H01R 31/02; H01J 5/00;
H01J 15/00; H01J 5/48; H01J 5/50; H01J
19/54; F21V 5/00
See application file for complete search history.

FIG. 1 is a perspective view of an LED lamp showing our new design;

FIG. 2 is a front view of FIG. 1;

FIG. 3 is a rear view of FIG. 1;

FIG. 4 is a left side view of FIG. 1;

FIG. 5 is a right side view of FIG. 1;

FIG. 6 is a top view of FIG. 1;

FIG. 7 is a bottom view of FIG. 1;

FIG. 8 is a perspective view of a second embodiment thereof.

FIG. 9 is a front view of FIG. 8;

FIG. 10 is a rear view of FIG. 8;

FIG. 11 is a left side view of FIG. 8;

FIG. 12 is a right side view of FIG. 8;

FIG. 13 is a top view of FIG. 8; and,

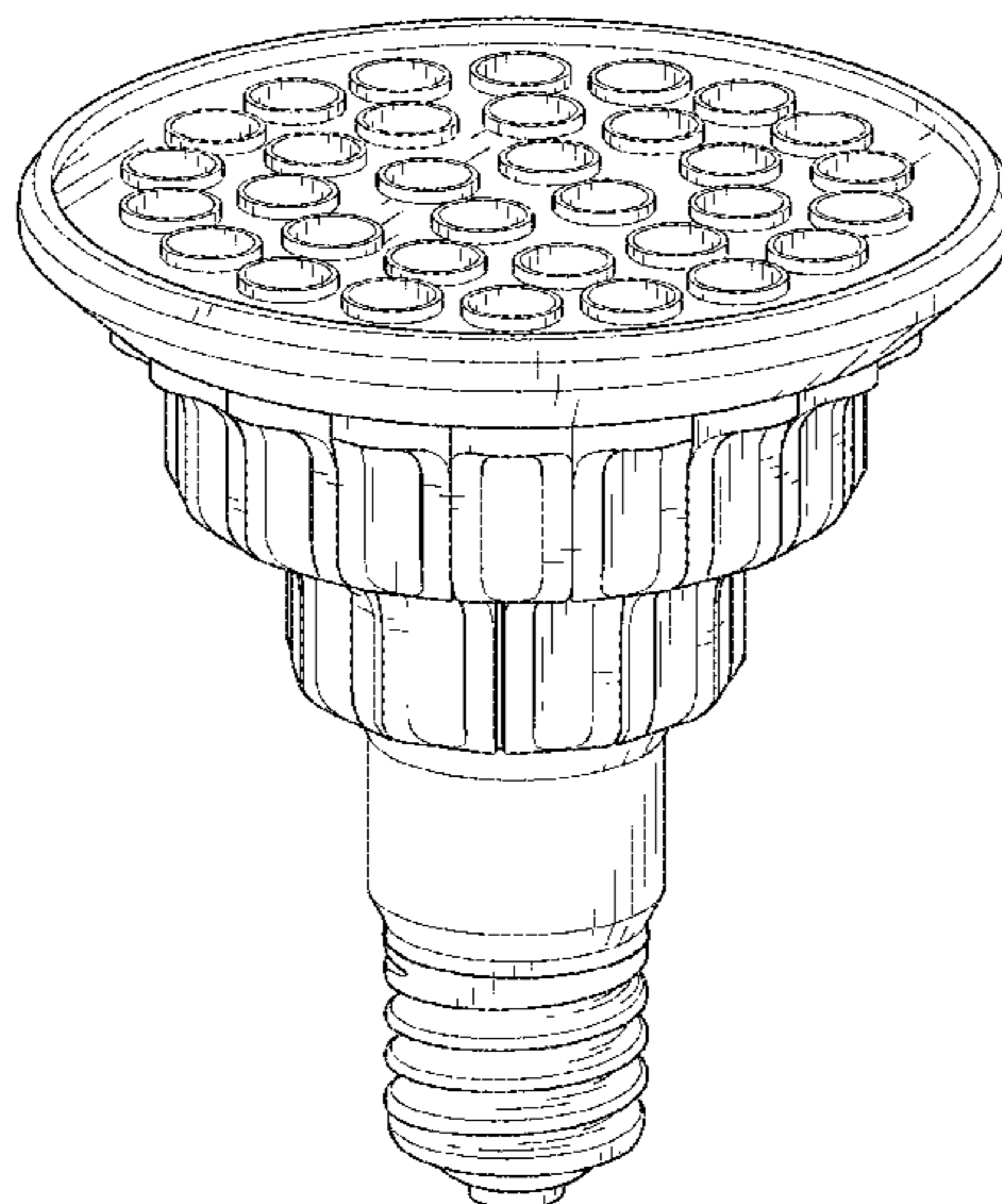
FIG. 14 is a bottom view of FIG. 8.

(56) **References Cited**

U.S. PATENT DOCUMENTS

D532,532 S * 11/2006 Maxik D26/2
D544,110 S * 6/2007 Hooker D26/2
D566,300 S * 4/2008 Lo D26/2
D581,555 S * 11/2008 To D26/2

1 Claim, 14 Drawing Sheets



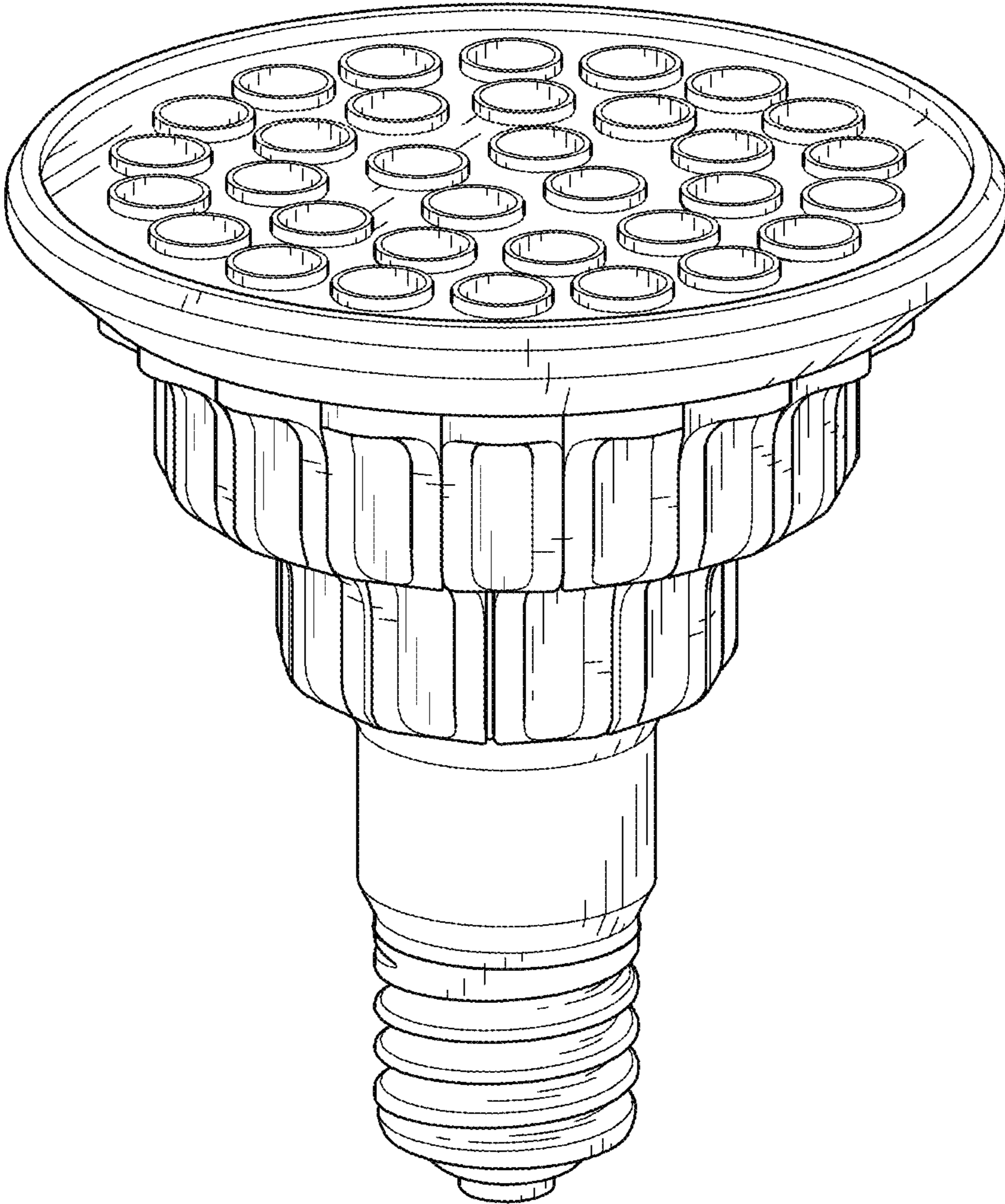


FIG.1

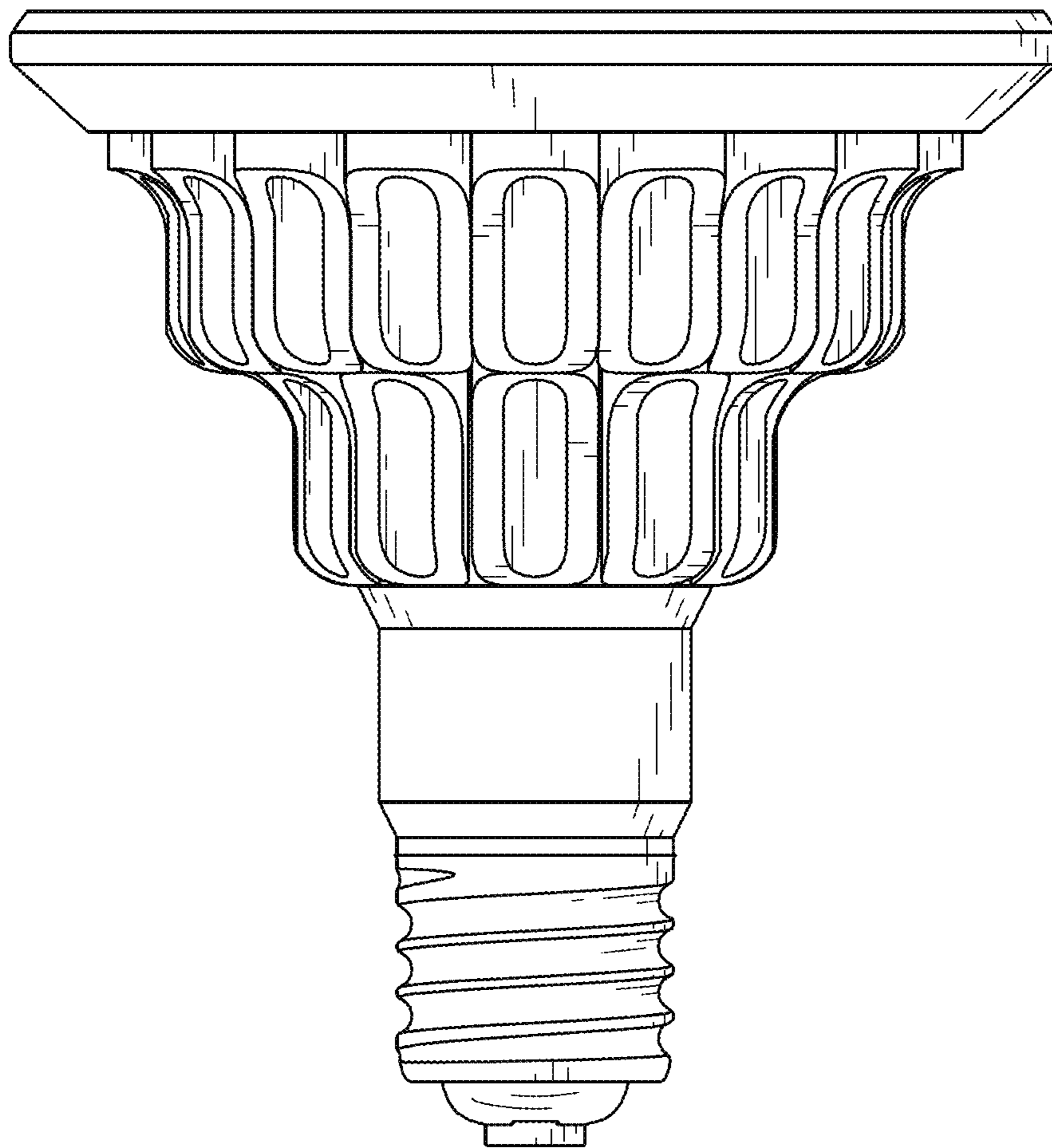


FIG.2

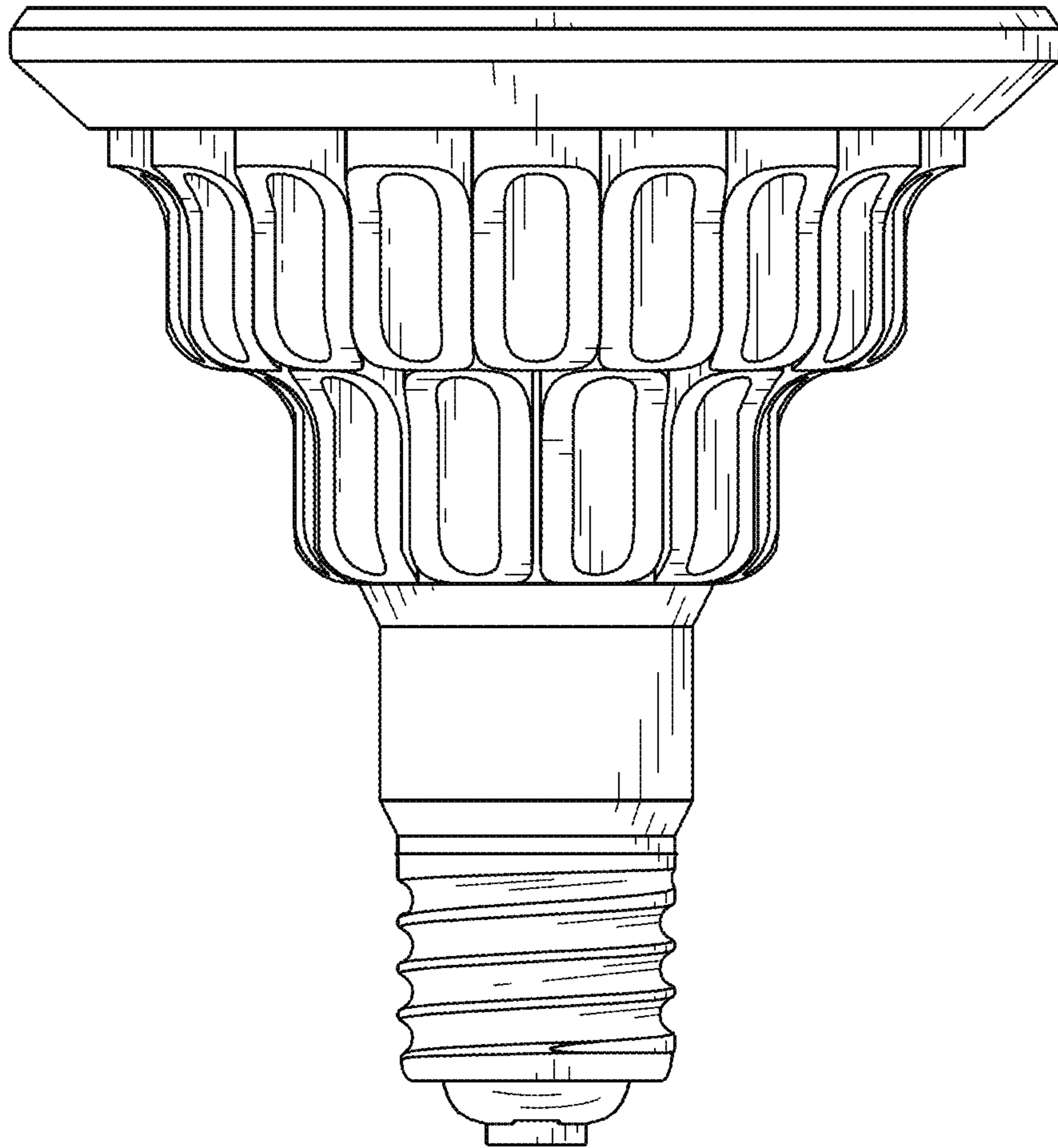


FIG.3

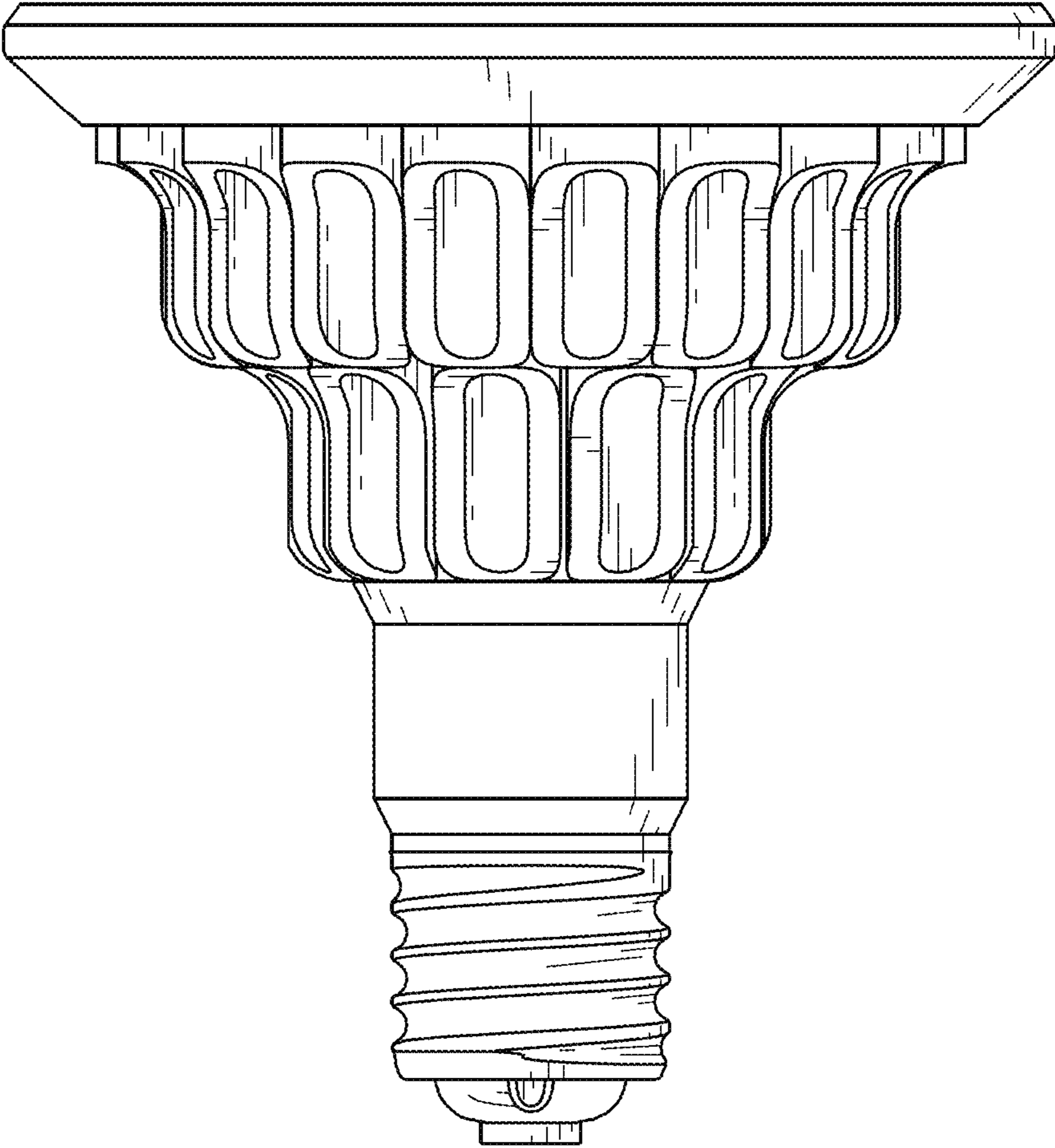


FIG.4

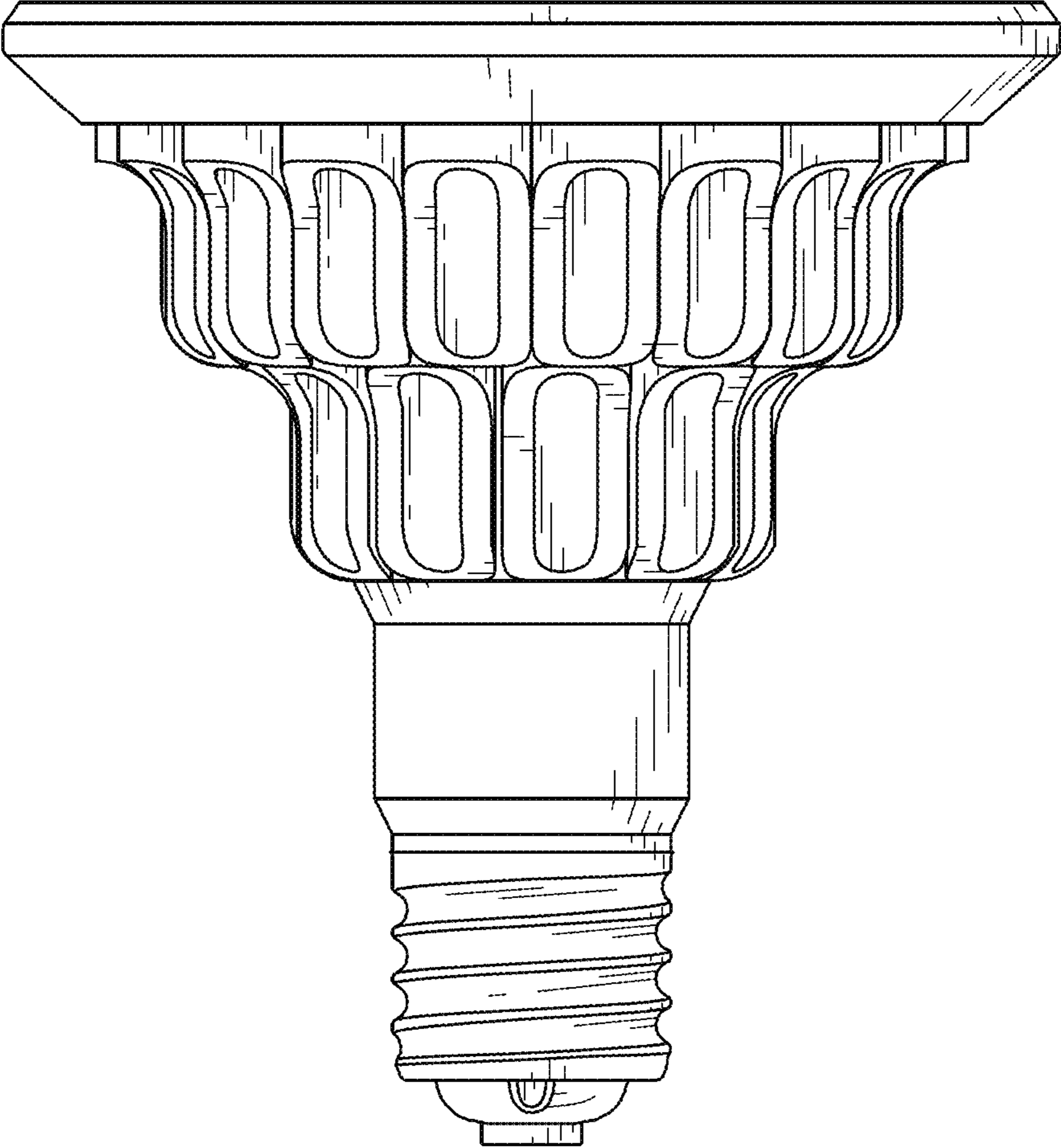


FIG.5

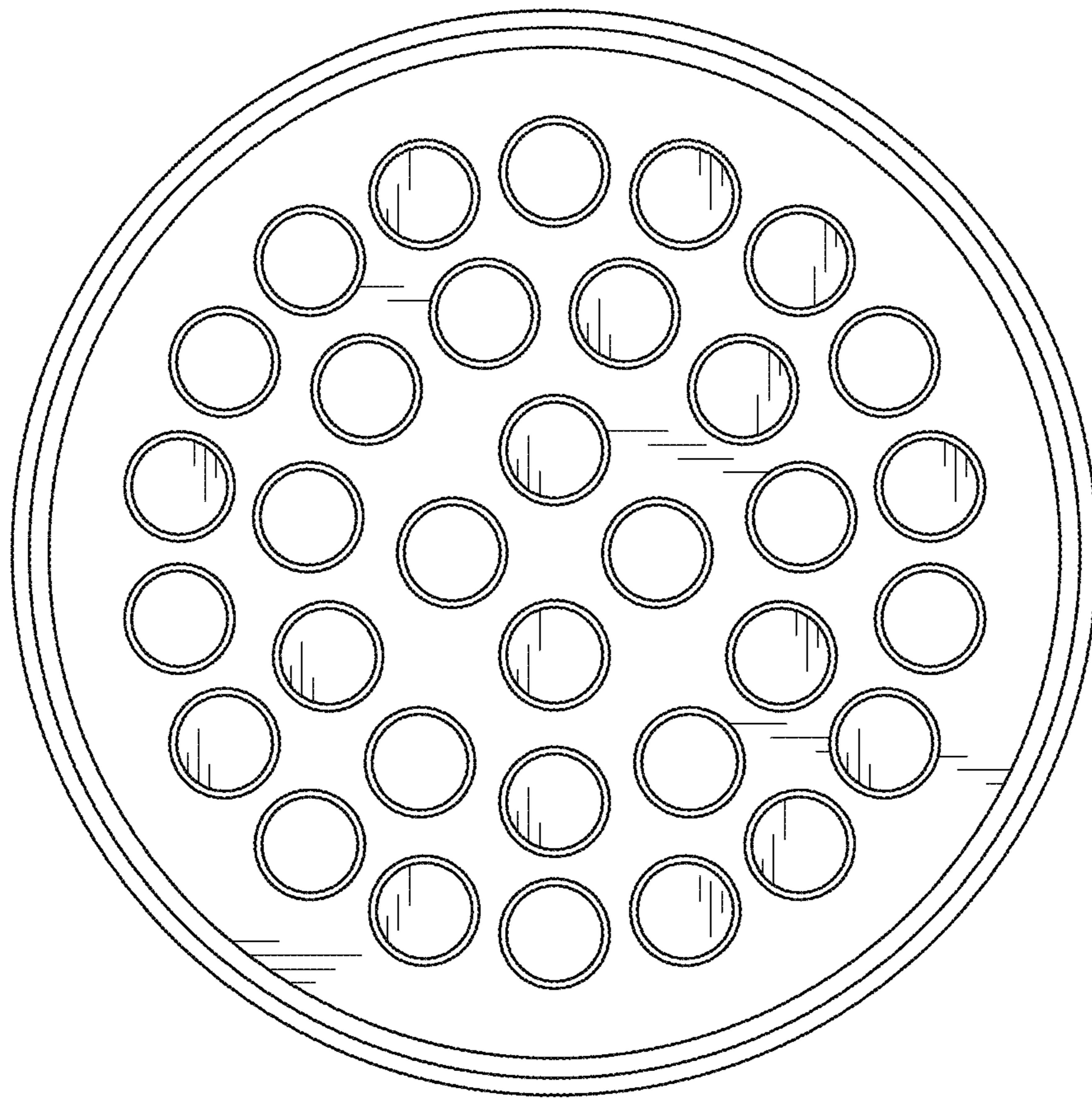


FIG.6

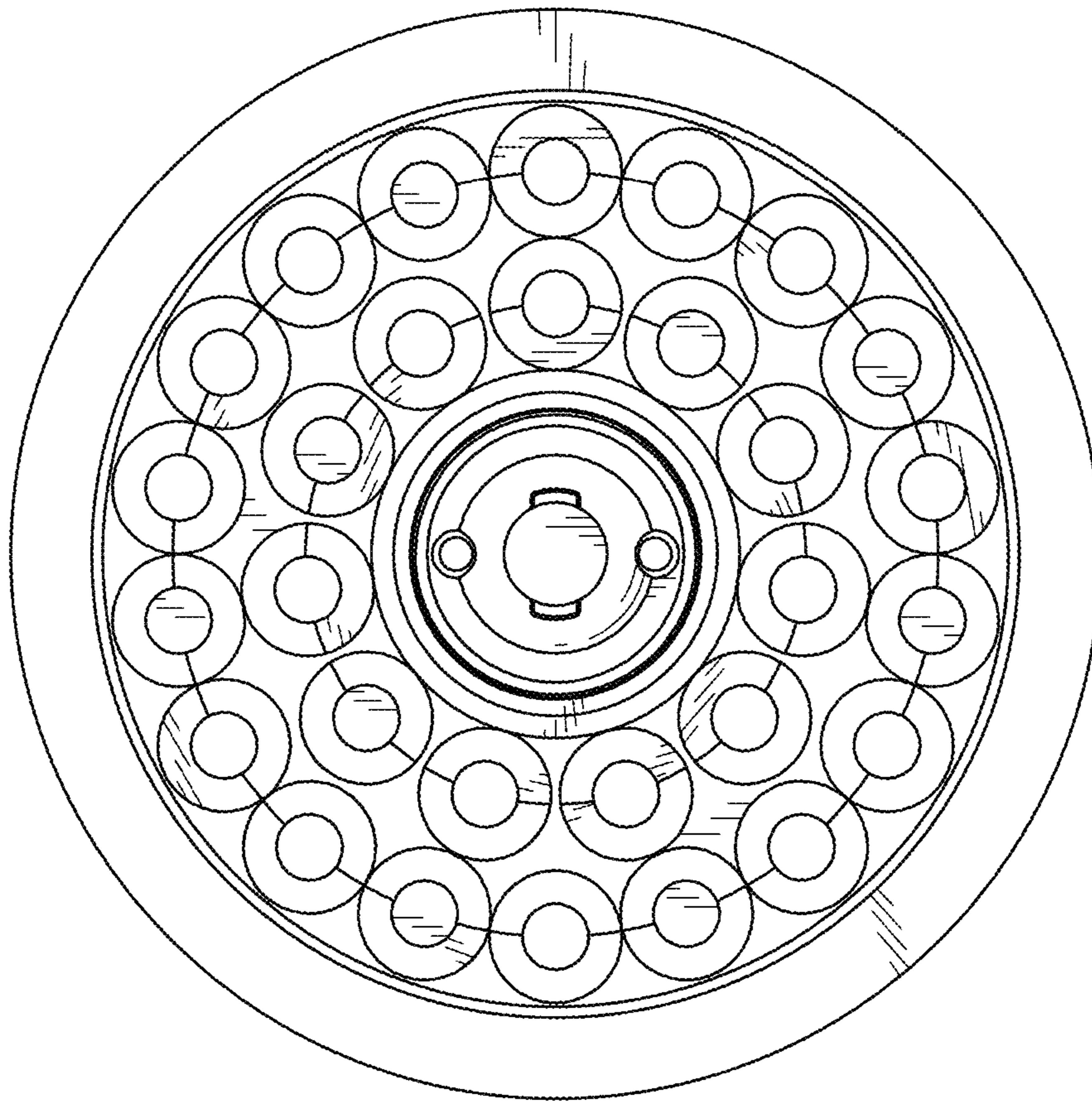


FIG. 7

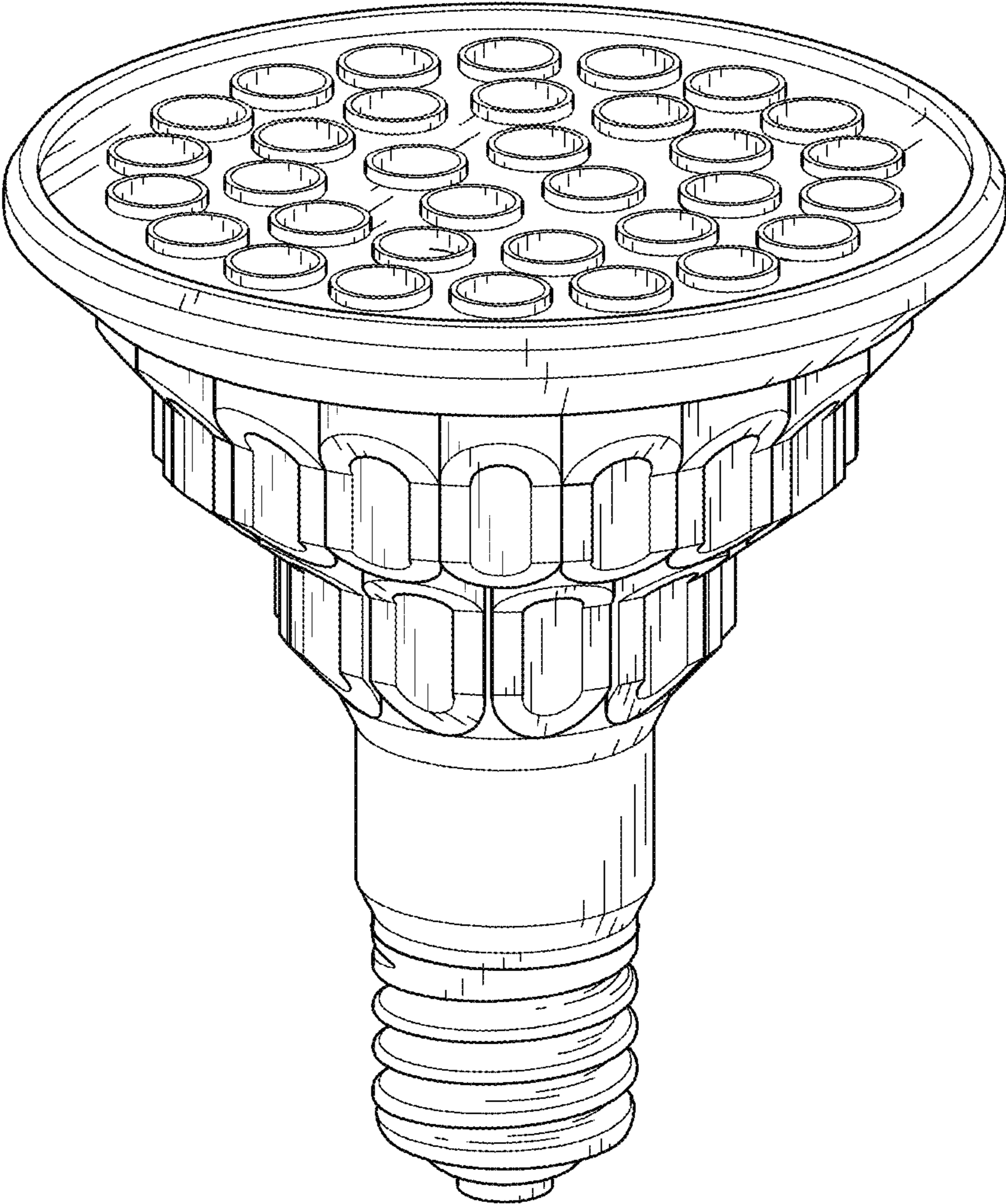


FIG.8

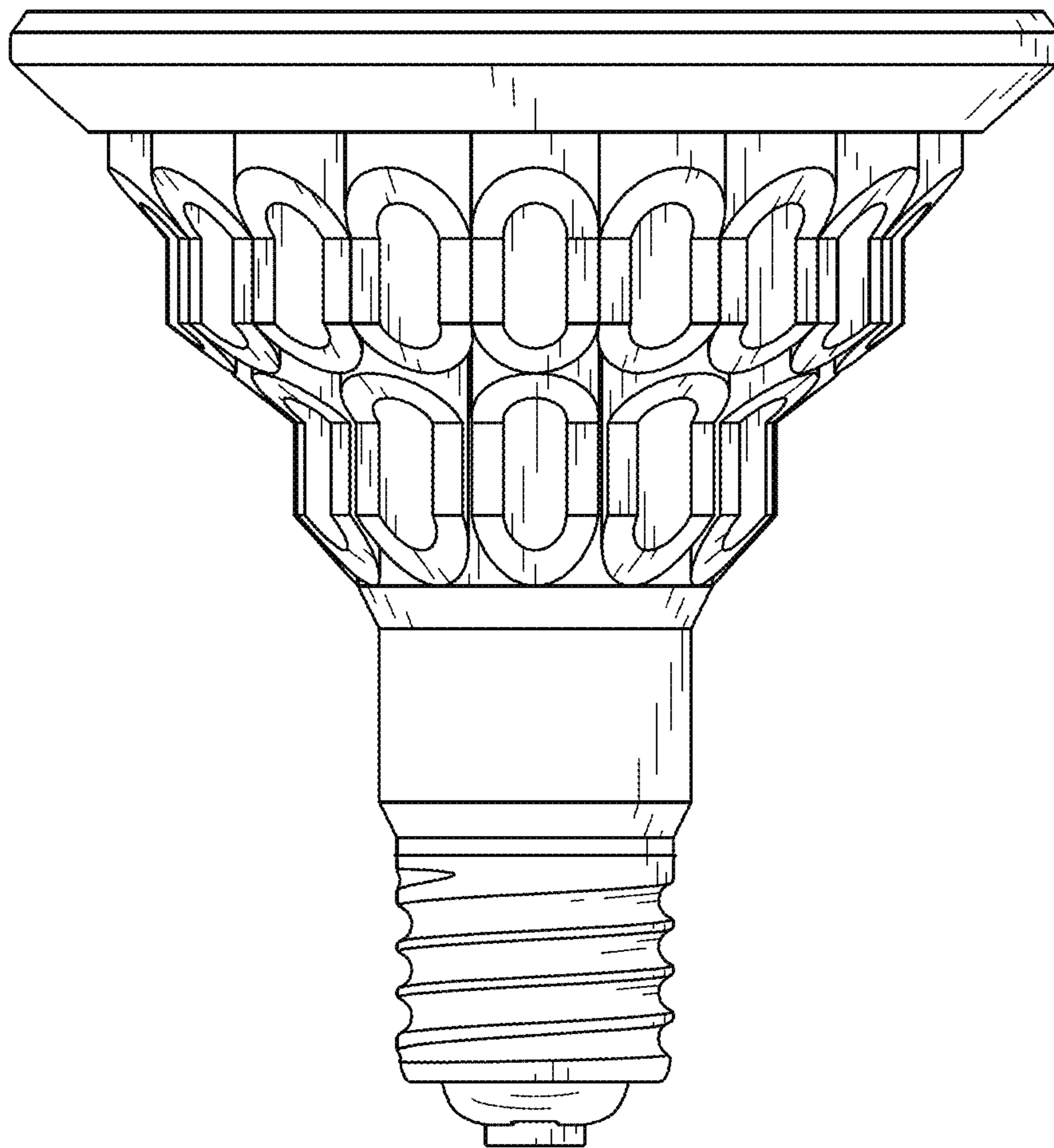


FIG.9

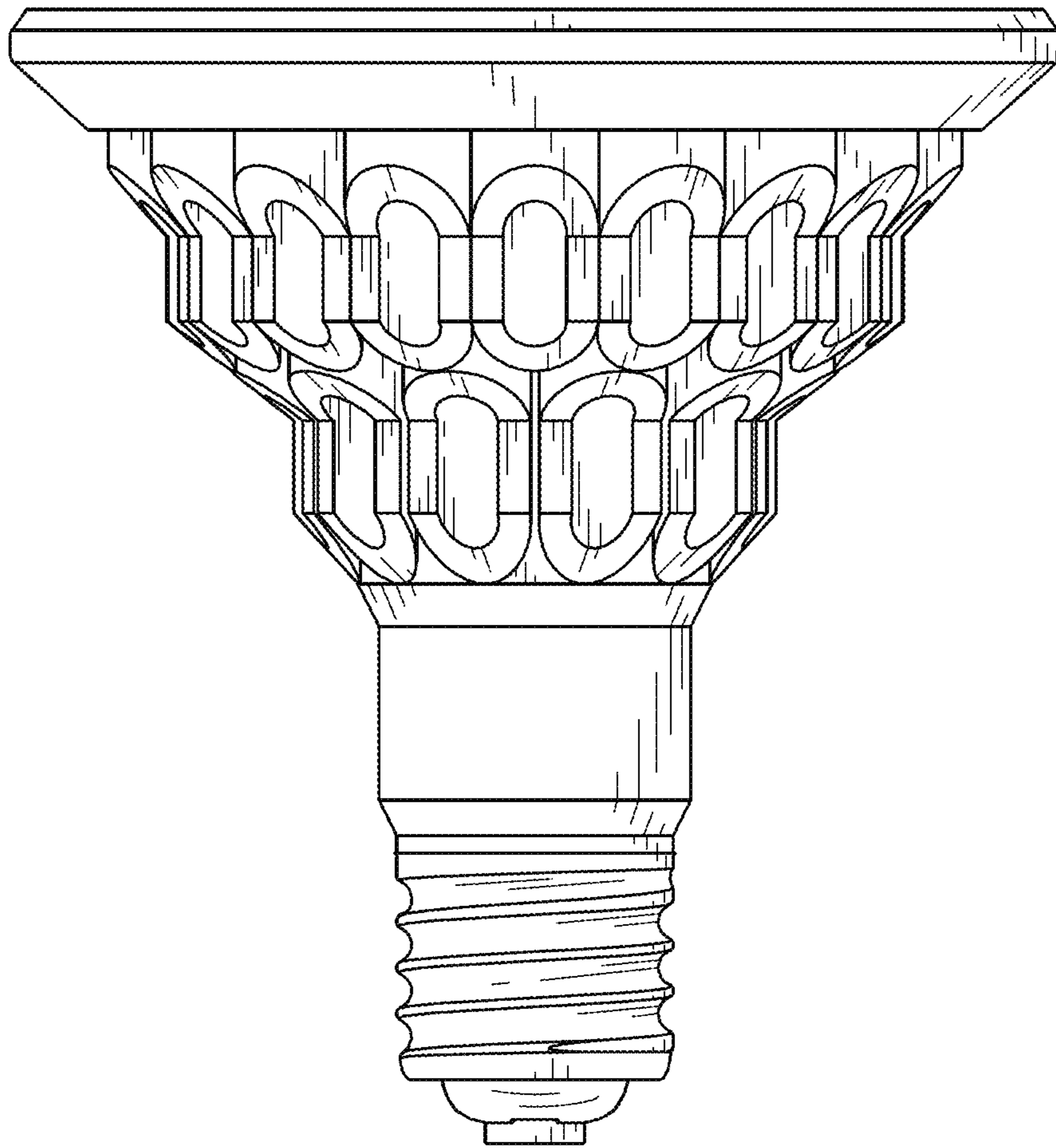


FIG. 10

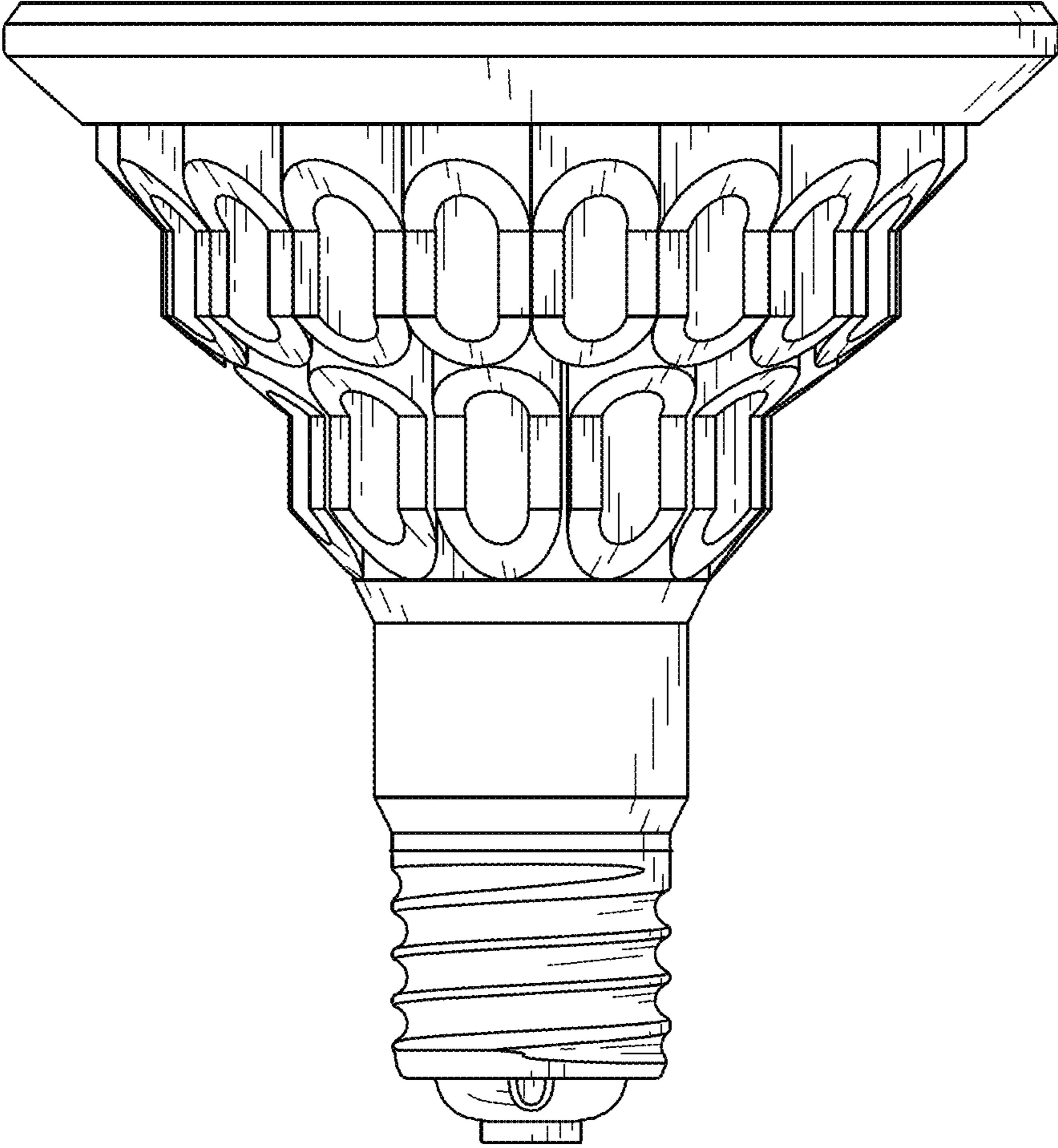


FIG.11

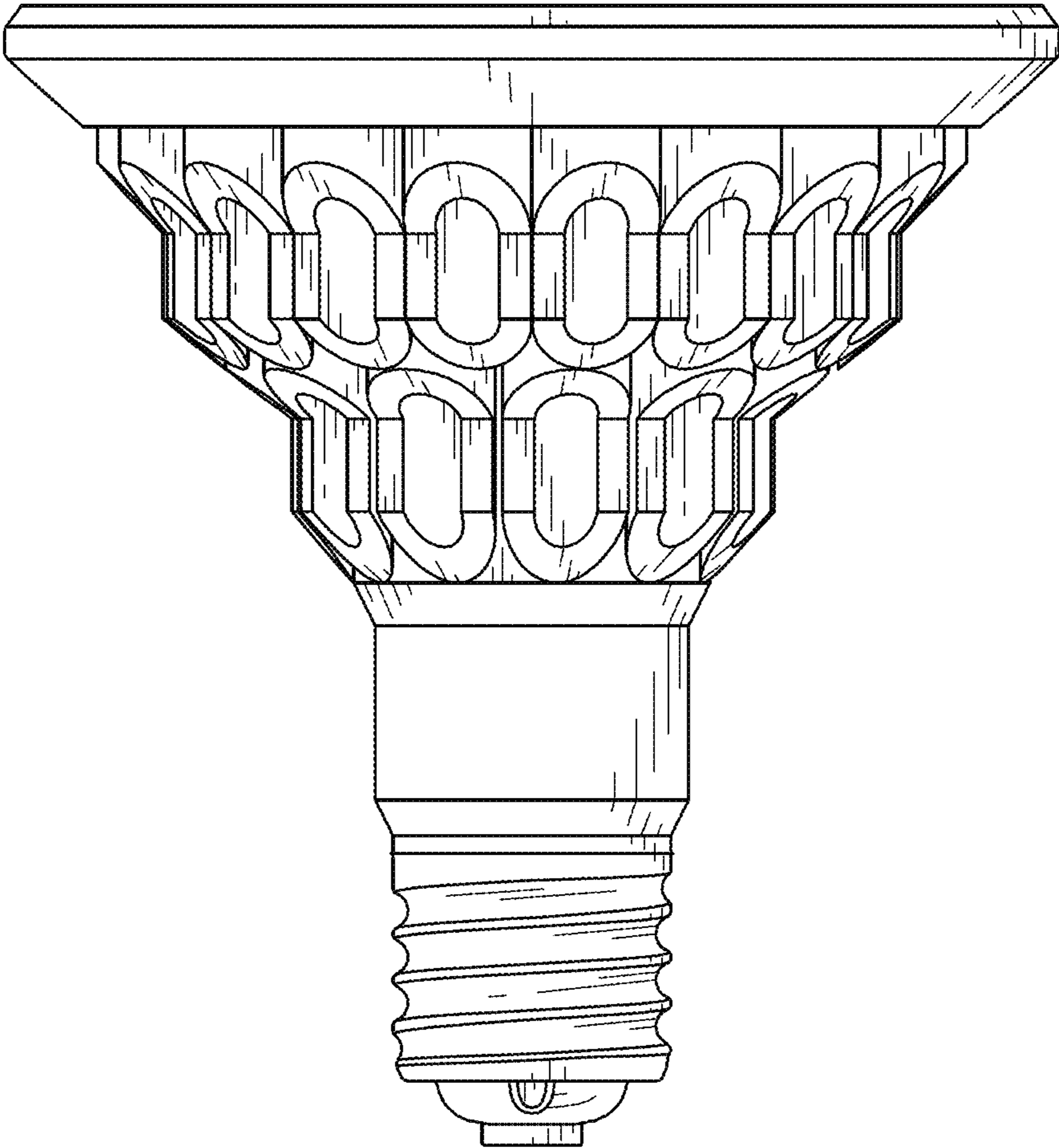


FIG.12

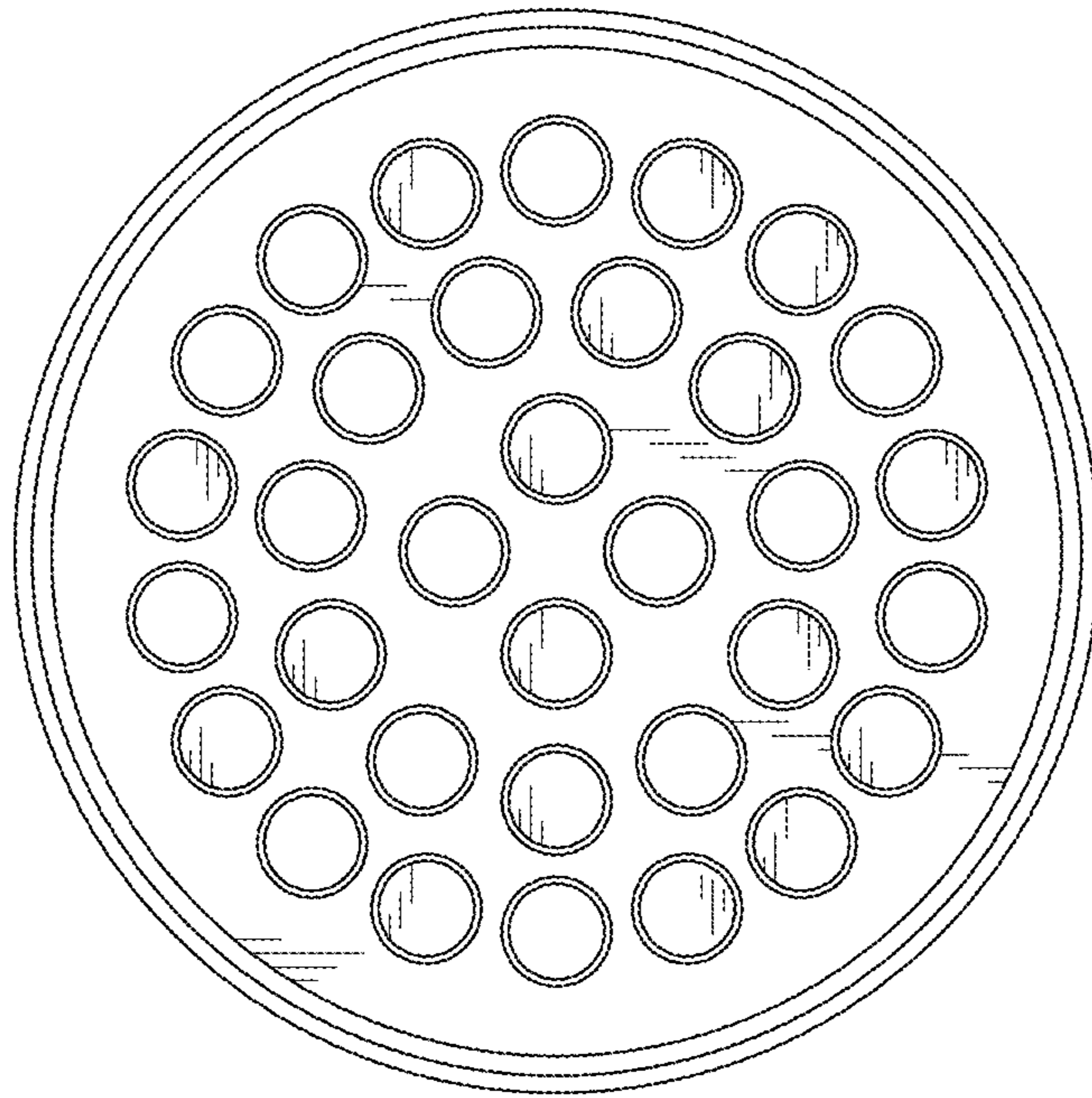


FIG.13

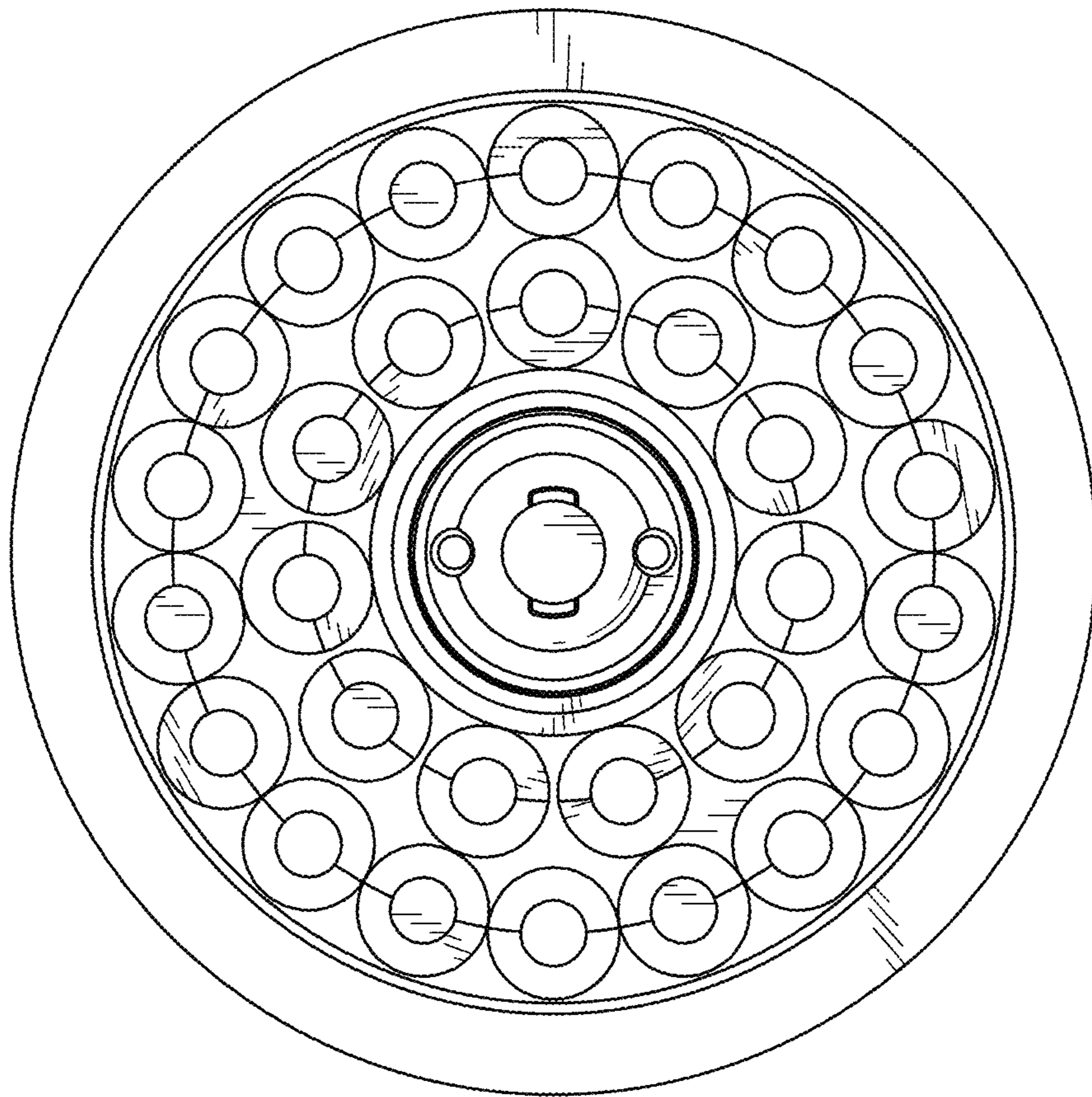


FIG. 14