

US00D800925S

(12) **United States Design Patent**  
**Hynek et al.**

(10) **Patent No.:** **US D800,925 S**

(45) **Date of Patent:** **\*\* Oct. 24, 2017**

- (54) **LINEAR GUIDEWAY**
- (71) Applicants: **Martin Hynek**, Plzen (CZ); **Jakub Jirasko**, Plzen (CZ); **Petr Votapek**, Horepnik (CZ)
- (72) Inventors: **Martin Hynek**, Plzen (CZ); **Jakub Jirasko**, Plzen (CZ); **Petr Votapek**, Horepnik (CZ)
- (73) Assignee: **ZAPADOCESKA UNIVERZITA V PLZNI**, Plzen (CZ)
- (\*\*) Term: **15 Years**
- (21) Appl. No.: **29/565,835**
- (22) Filed: **May 25, 2016**
- (51) **LOC (10) Cl.** ..... **15-09**
- (52) **U.S. Cl.**  
USPC ..... **D25/143**
- (58) **Field of Classification Search**  
USPC ..... D15/136, 143, 199, 7, 149, 5; D10/85, D10/46; D25/119; D26/138; 184/5, 184/105.3; 384/13, 45, 49, 51, 53, 55, 7  
CPC .. F16C 29/005; F16C 29/0676; F16C 29/063; F16H 2025/2034; F28F 3/12; B23Q 5/34; E04F 11/1842  
See application file for complete search history.

- 5,429,438 A \* 7/1995 Wood ..... F16C 29/02 384/26
- D363,297 S \* 10/1995 Yoshikawa ..... D15/143
- D373,963 S \* 9/1996 Nagai ..... D10/85
- 5,915,840 A \* 6/1999 Zaguroli, Jr. .... F16C 29/005 384/53
- D489,829 S \* 5/2004 Barnett ..... D25/119
- D489,830 S \* 5/2004 Barnett ..... D25/119
- 7,383,670 B1 \* 6/2008 Meyers ..... E04F 13/081 156/71
- D574,865 S \* 8/2008 Cheng ..... D10/46
- D599,387 S \* 9/2009 Chuo ..... D15/143
- D621,090 S \* 8/2010 Klu ..... D26/138
- 7,985,024 B2 \* 7/2011 Matsumoto ..... B29C 33/005 29/898.067
- D652,569 S \* 1/2012 Trzesniowski ..... D26/138
- D657,406 S \* 4/2012 Saito ..... D15/143
- D669,211 S \* 10/2012 Larson ..... D26/138
- 2005/0019545 A1 \* 1/2005 Riebel ..... C08L 3/02 428/304.4
- 2007/0076989 A1 \* 4/2007 Matsumoto ..... F16C 29/0638 384/45

(Continued)

*Primary Examiner* — Caron D Veynar  
*Assistant Examiner* — Katelin G. Kloberg

(57) **CLAIM**

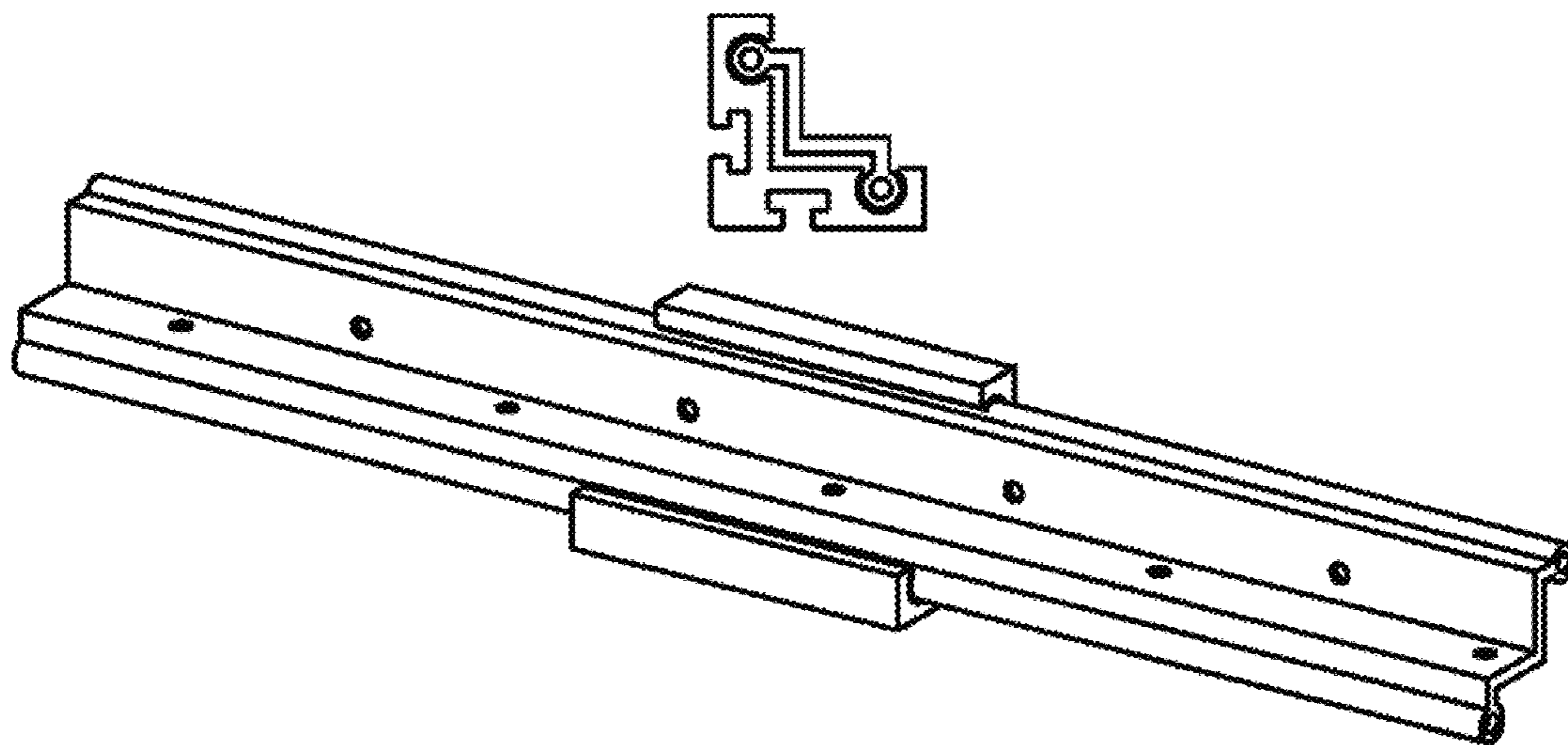
The ornamental design for a linear guideway, as shown and described.

**DESCRIPTION**

FIG. 1 is a front elevational view of a linear guideway showing my new design;  
FIG. 2 is a top plan view thereof;  
FIG. 3 is a rear elevational view thereof;  
FIG. 4 is a left side elevational view thereof; a right side elevational view is a mirror image of the left side elevational view;  
FIG. 5 is a top, front, right perspective view thereof; and,  
FIG. 6 is a bottom, rear, right perspective view thereof.

**1 Claim, 2 Drawing Sheets**

- (56) **References Cited**  
U.S. PATENT DOCUMENTS
- 3,938,854 A \* 2/1976 Teramachi ..... B23Q 1/40 384/45
- 4,040,679 A \* 8/1977 Teramachi ..... B23Q 1/40 384/45
- 4,502,737 A \* 3/1985 Osawa ..... F16C 29/0607 384/45
- 5,131,125 A \* 7/1992 Coron ..... B23Q 1/58 198/346.1



(56)

**References Cited**

U.S. PATENT DOCUMENTS

2010/0040312 A1\* 2/2010 Rudy ..... F16C 29/005  
384/7  
2010/0162582 A1\* 7/2010 Shiao ..... F16C 29/00  
33/708  
2013/0259409 A1\* 10/2013 Tsao ..... F16C 33/6659  
384/13  
2016/0073547 A1\* 3/2016 Maloney ..... H05K 7/02  
211/26  
2016/0108955 A1\* 4/2016 Kuo ..... F16C 29/0638  
384/55

\* cited by examiner

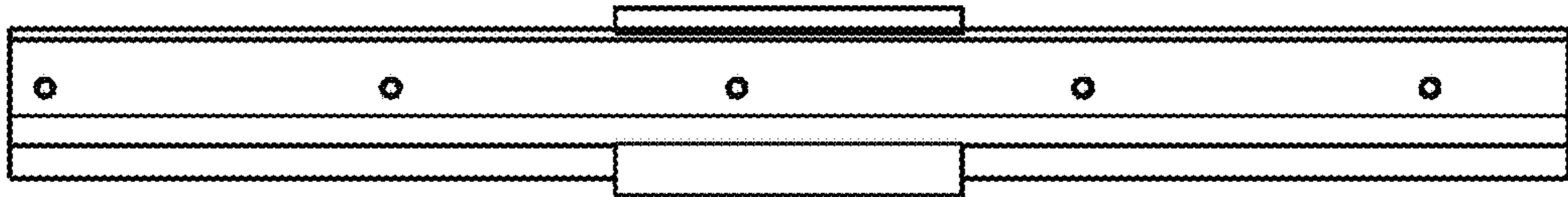


FIG. 1

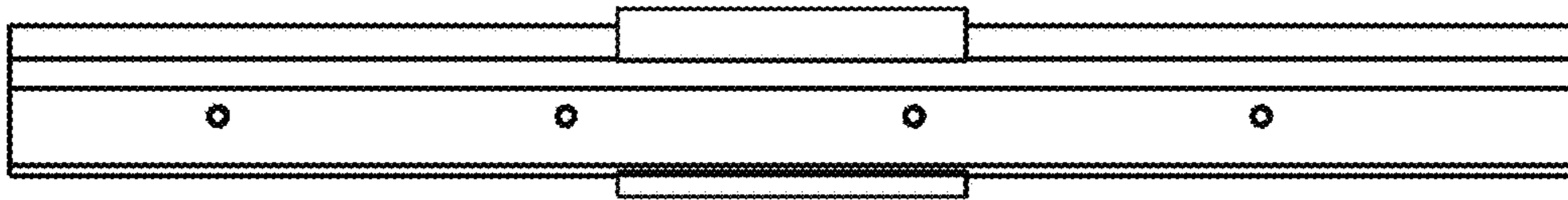


FIG. 2



FIG. 3

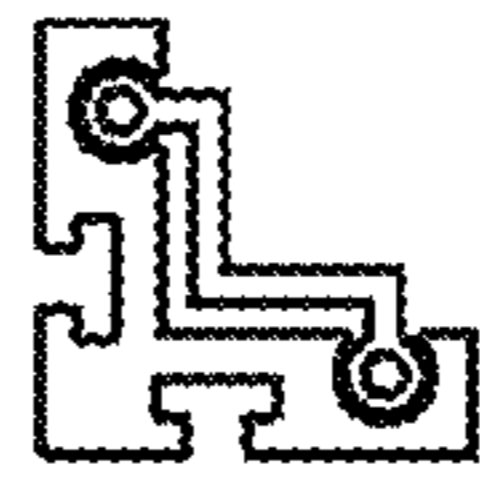


FIG. 4

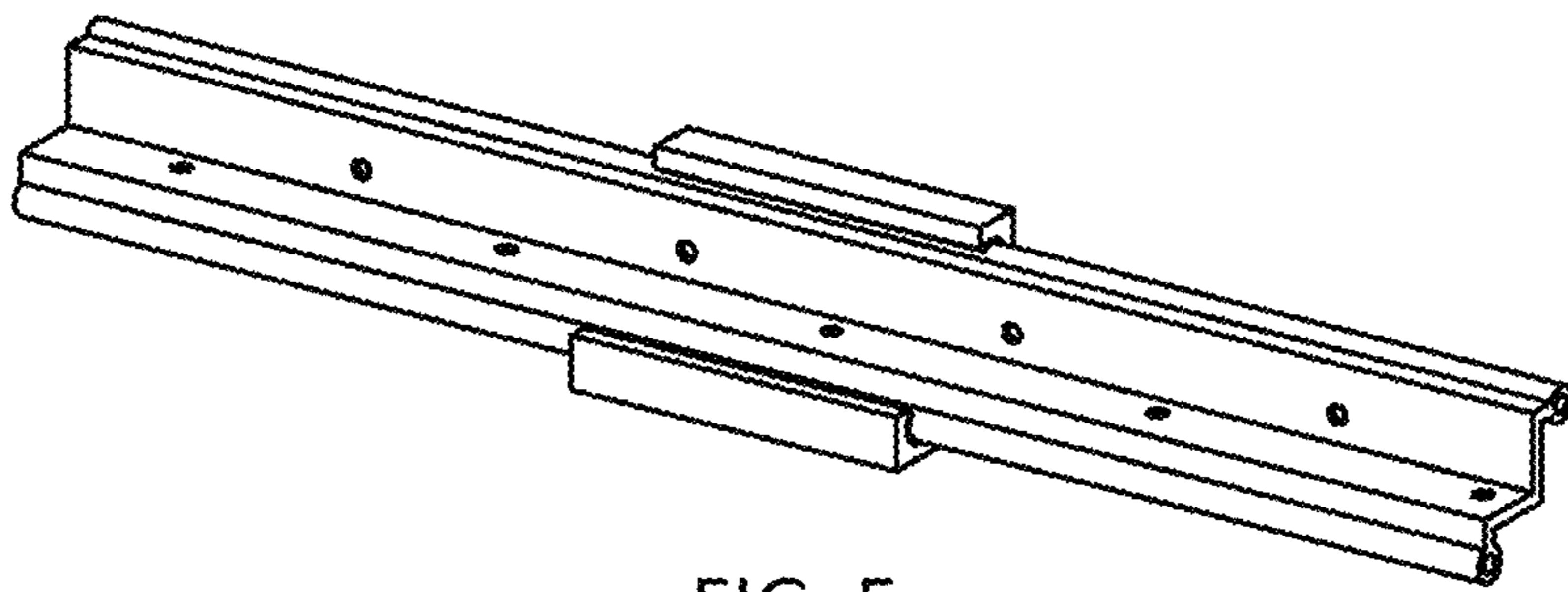


FIG. 5

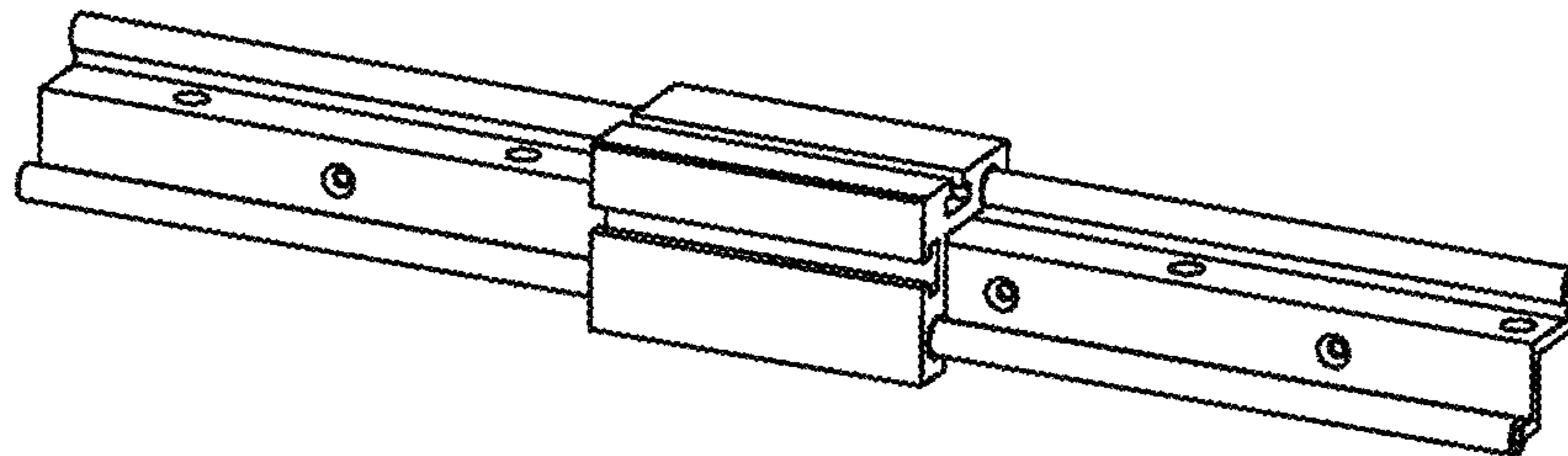


FIG. 6