



US00D800922S

(12) **United States Design Patent**
Johnston

(10) **Patent No.:** **US D800,922 S**
(45) **Date of Patent:** **** Oct. 24, 2017**

(54) **BARRIER FOR ISOLATION OF METAL STRUCTURES**

E04B 2/7872; E04B 2/7881; E04B 2/789;
E04B 2001/2436; E04B 2001/2439; E04B
(Continued)

(71) Applicant: **Thomas B Johnston**, Pace, FL (US)

(72) Inventor: **Thomas B Johnston**, Pace, FL (US)

(**) Term: **15 Years**

(21) Appl. No.: **29/588,041**

(22) Filed: **Dec. 16, 2016**

(51) **LOC (10) Cl.** **25-01**

(52) **U.S. Cl.**
USPC **D25/119**

(58) **Field of Classification Search**
USPC D25/35, 38.1, 47.1, 48.1, 48.2, 48.3,
D25/48.4, 48.7, 119-126, 131-137, 164,
D25/199; D12/223, 400; D34/35;
D20/42-44; D26/138; D8/349, 354, 376,
D8/377, 378, 380, 381, 382; D6/702,
D6/709, 712, 719

CPC ... E04C 3/00; E04C 3/005; E04C 3/02; E04C
3/04; E04C 3/12; E04C 3/20; E04C 3/28;
E04C 3/30; E04F 19/02; E04F 19/022;
E04F 19/026; E04F 19/028; E04F 19/04;
E04F 19/0436; E04F 19/0481; E04F
19/0486; E04F 19/06; E04F 19/061;
E04B 1/00; E04B 1/006; E04B 1/02;
E04B 1/04; E04B 1/045; E04B 1/12;
E04B 1/16; E04B 1/34; E04B 1/342;
E04B 1/345; E04B 1/347; E04B 1/36;
E04B 1/363; E04B 1/366; E04B 1/38;
E04B 1/40; E04B 1/52; E04B 1/522;
E04B 1/524; E04B 1/526; E04B 1/528;
E04B 1/56; E04B 1/60; E04B 1/6092;
E04B 1/62; E04B 1/70; E04B 1/702;
E04B 1/705; E04B 1/707; E04B 2/00;
E04B 2/74; E04B 2/76; E04B 2/761;
E04B 2/762; E04B 2/763; E04B 2/764;
E04B 2/765; E04B 2/7854; E04B 2/7863;

(56) **References Cited**

U.S. PATENT DOCUMENTS

1,570,310 A * 1/1926 Ljungberg E06B 3/5892
D25/48.3
D85,226 S * 9/1931 Awbrey D25/123
(Continued)

Primary Examiner — Cynthia Ramirez
Assistant Examiner — Llorelys Martinez-Rivera
(74) *Attorney, Agent, or Firm* — Gerald M. Walsh; Leo
Law Firm, LLC

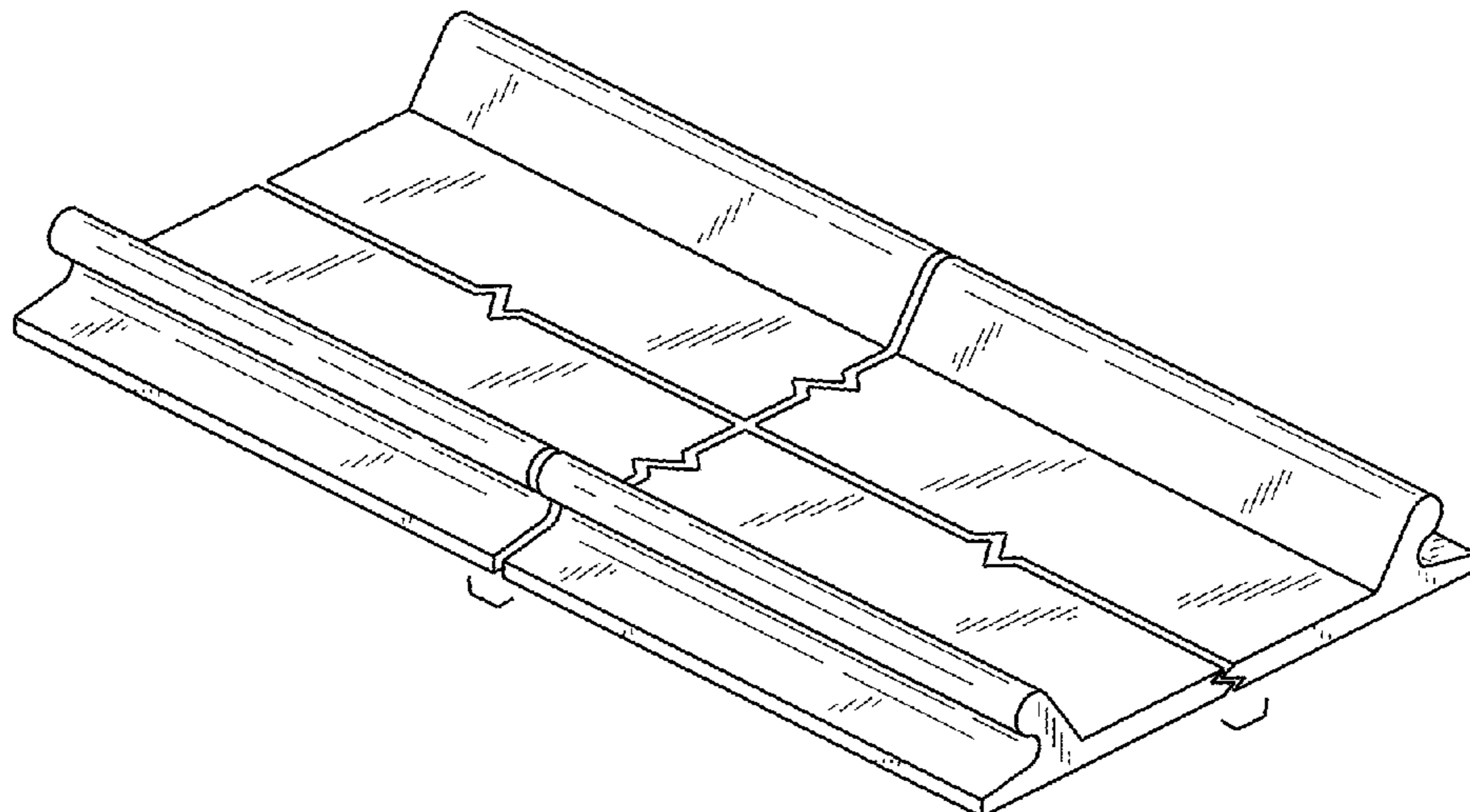
(57) **CLAIM**

The ornamental design for a barrier for isolation of metal structures, as shown and described.

DESCRIPTION

FIG. 1 is a front, top, left side perspective view of a barrier for isolation of metal structures showing my new design; FIG. 2 is a front, top, left side perspective view thereof, showing the barrier for isolation of metal structures in an environment of use; FIG. 3 is a front elevation view thereof, the rear elevation view being identical thereto; FIG. 4 is a left side elevation view thereof, the right side elevation view being identical thereto; FIG. 5 is a top plan view thereof; and, FIG. 6 is a bottom plan view thereof. The dashed lines in FIG. 2 represent environmental structure and form no part of the claimed design. In FIGS. 1-6 the barrier for isolation of metal structures is shown with symbolic breaks along its length and width. The appearance of any portion of the barrier for isolation of metal structures between the break lines forms no part of the claimed design. The barrier isolates metal structures from contact with concrete or other surfaces.

1 Claim, 3 Drawing Sheets



(58) **Field of Classification Search**

CPC 2001/2442; E04B 2001/2445; E04B
2001/2448; E04B 2001/2451; E04B
2001/2454; E04B 2001/2457; E04B
2001/246; E04B 2001/2463

See application file for complete search history.

(56) **References Cited**

U.S. PATENT DOCUMENTS

2,766,861 A * 10/1956 Abramson E04F 13/0864
D25/58
3,411,752 A * 11/1968 Bos E04F 11/181
D25/38.1
3,703,061 A * 11/1972 Holland E06B 3/485
D25/48.4
D310,287 S * 9/1990 Pellegrino D25/123
D331,469 S * 12/1992 McMarlin D25/103
D373,961 S * 9/1996 Nagai D25/121
6,006,489 A * 12/1999 Zadok E04B 1/0046
52/204.53
D462,601 S * 9/2002 Chaney D25/119
D548,368 S * 8/2007 Hale D25/121
D574,518 S * 8/2008 Antonic D25/121
D606,670 S * 12/2009 Keeley D25/121
D608,912 S * 1/2010 Betty D25/121
D612,072 S * 3/2010 Keeley D25/121
D695,422 S * 12/2013 Krieger E04F 13/0826
D25/119

* cited by examiner

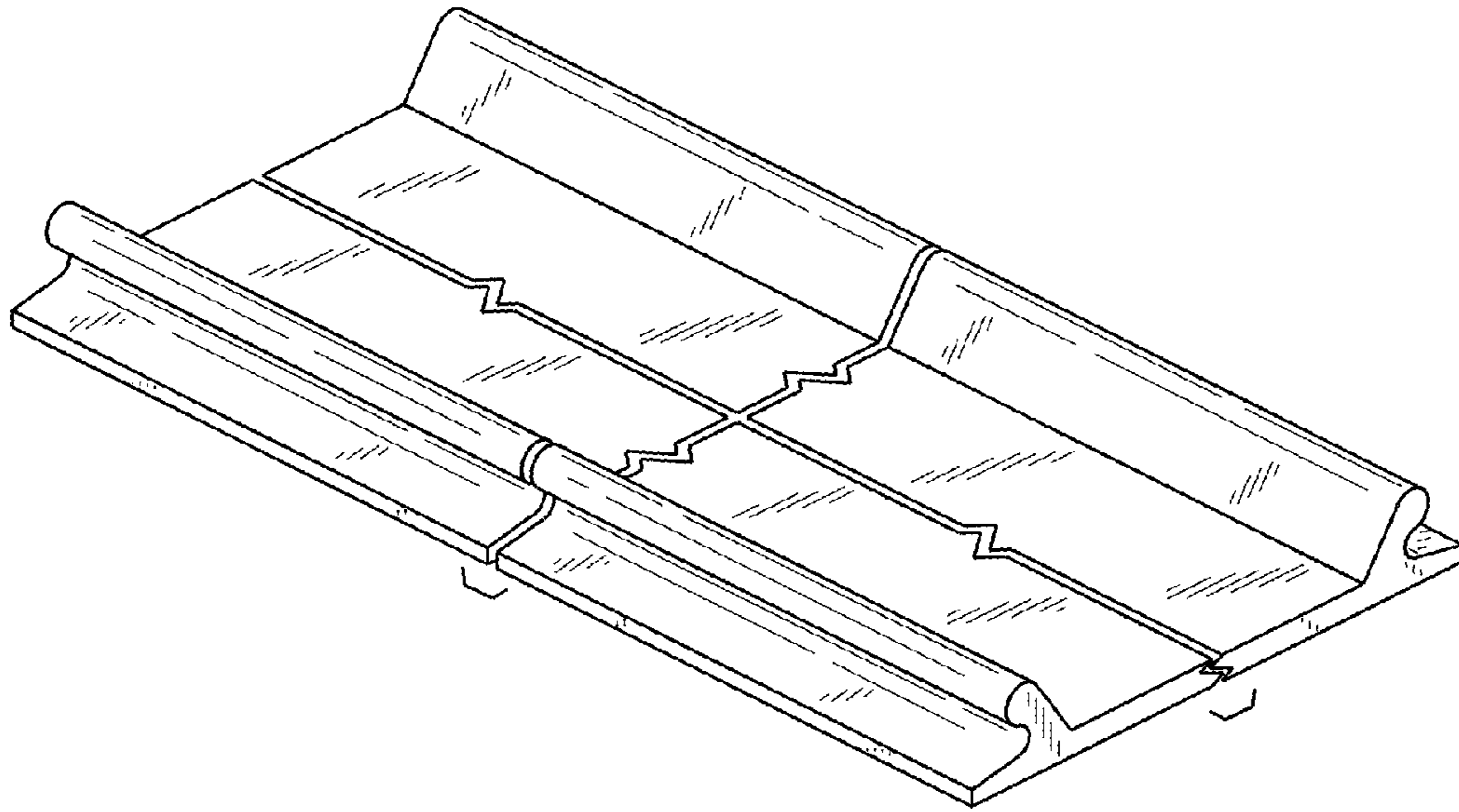


FIG. 1

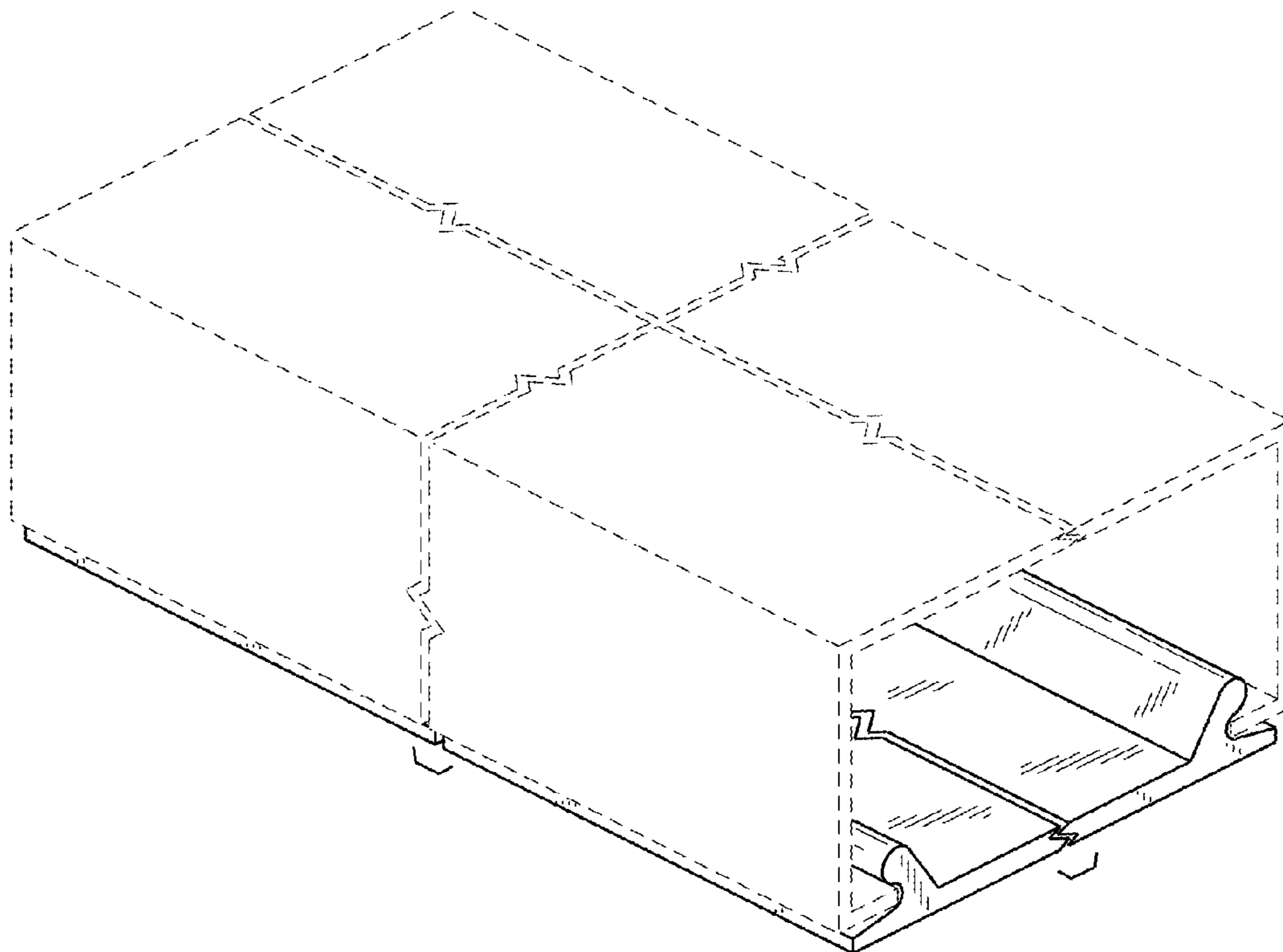


FIG. 2

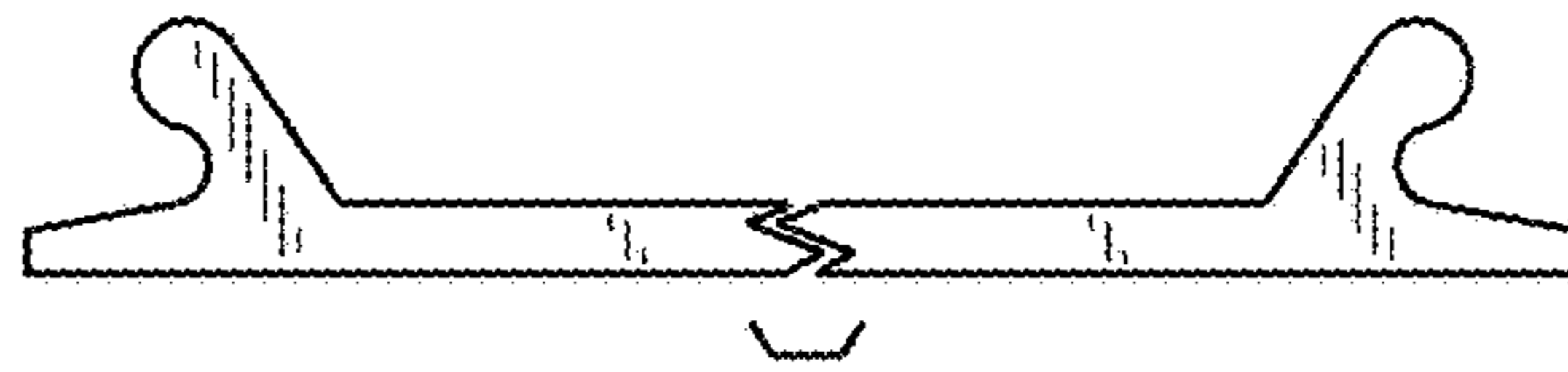


FIG. 3

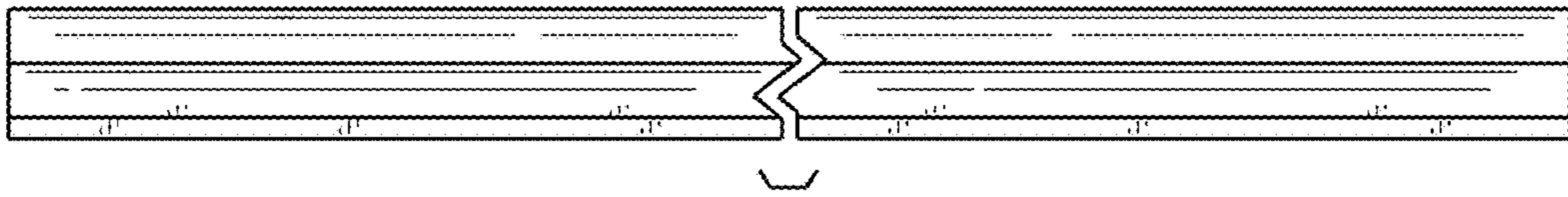


FIG. 4

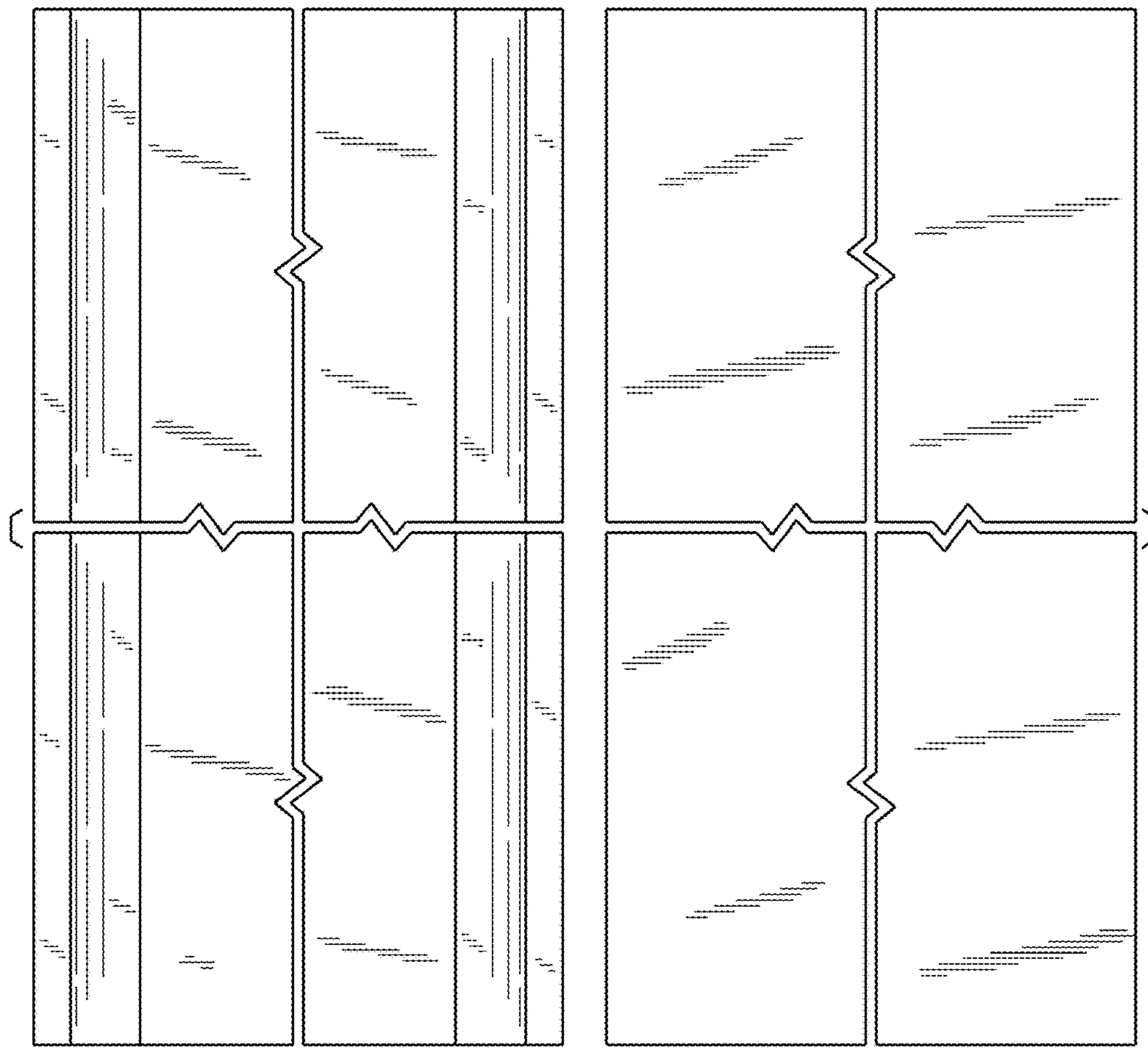


FIG. 5

FIG. 6