



US00D800917S

(12) **United States Design Patent** (10) **Patent No.:** **US D800,917 S**
Cataldo et al. (45) **Date of Patent:** **** Oct. 24, 2017**

(54) **SURGICAL DRAPE**
(71) Applicant: **Revolutionary Medical Devices, Inc.**,
Tucson, AZ (US)
(72) Inventors: **Steven H. Cataldo**, New York, NY
(US); **Michael J. Pedro**, Brooklyn, NY
(US); **Thomas M. Reilly**, Tucson, AZ
(US); **Peter Kronos**, Katonah, NY
(US); **David M. Kane**, Tucson, AZ
(US)
(73) Assignee: **AIRSPACE, LLC**, Tucson, AZ (US)
(**) Term: **15 Years**
(21) Appl. No.: **29/540,822**
(22) Filed: **Sep. 28, 2015**
(51) **LOC (10) Cl.** **24-00**
(52) **U.S. Cl.**
USPC **D24/234**
(58) **Field of Classification Search**
USPC D24/234, 231, 189, 184, 190, 158;
D6/601; 128/202.18, 849
CPC A61M 16/06; A61B 46/00
See application file for complete search history.

5,933,886 A 8/1999 Washington 5/494
D456,518 S * 4/2002 Ioannides D24/190
D467,345 S * 12/2002 Gingles D24/189
D498,536 S * 11/2004 Ewonce D24/189
6,863,071 B2 3/2005 Annett et al. 128/849
6,935,341 B2* 8/2005 Musso A61B 46/00
128/849
D622,389 S * 8/2010 Henke-Sarmiento D24/158
D658,764 S * 5/2012 Matthews D24/184
8,302,224 B2 11/2012 Lehman 5/486
D681,383 S 5/2013 Derman et al. D6/603
D693,603 S 11/2013 Esquivel et al. D6/602
D745,684 S * 12/2015 Henke-Sarmiento D24/184
D781,075 S * 3/2017 Cohen D6/601
2007/0271699 A1 11/2007 Sacchetti 5/495
2011/0173750 A1 7/2011 Lehmann 5/486
2013/0186413 A1 7/2013 Haines et al. 128/854
2014/0215687 A1 8/2014 Andrews 2/170
2015/0047647 A1 2/2015 Winer 128/854

OTHER PUBLICATIONS

Office Action issued in U.S. Appl. No. 29/475,280, dated Apr. 9, 2015 (21 pgs).

* cited by examiner

Primary Examiner — Rhea Shields
(74) *Attorney, Agent, or Firm* — Hayes Soloway P.C.

(56) **References Cited**
U.S. PATENT DOCUMENTS

3,522,612 A 8/1970 Palmer 2/88
D242,490 S 11/1976 Belkin D83/1 R
4,005,499 A 2/1977 Klein 5/485
D256,161 S * 7/1980 Oliver D24/189
4,275,720 A 6/1981 Wichman 7/128
4,457,026 A 7/1984 Morris 2/171
4,471,769 A 9/1984 Lockhart 128/849
4,574,796 A 3/1986 Lundstrom 128/855
D318,920 S * 8/1991 Bruhl, Jr. D24/184
D333,404 S 2/1993 Thompson D6/602
5,488,944 A * 2/1996 Kennedy A61M 16/06
128/202.18
D373,921 S * 9/1996 Palomo D24/189

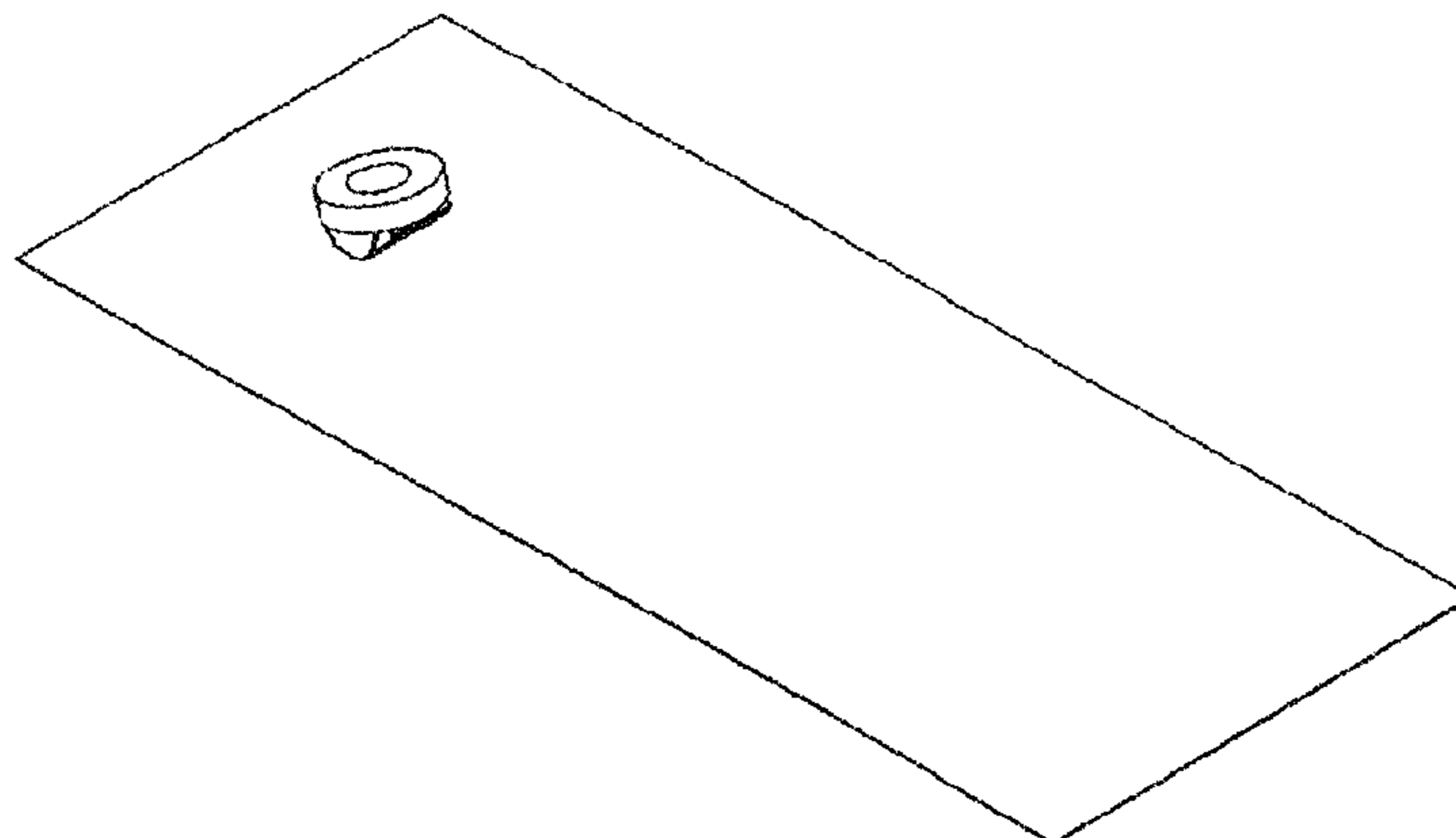
(57) **CLAIM**

The ornamental design for a surgical drape, as shown and described.

DESCRIPTION

FIG. 1 is top perspective view of the surgical drape in accordance with our invention;
FIG. 2 is a bottom side view thereof;
FIG. 3 is a right side view thereof; and,
FIG. 4 is a left side view thereof.

1 Claim, 2 Drawing Sheets



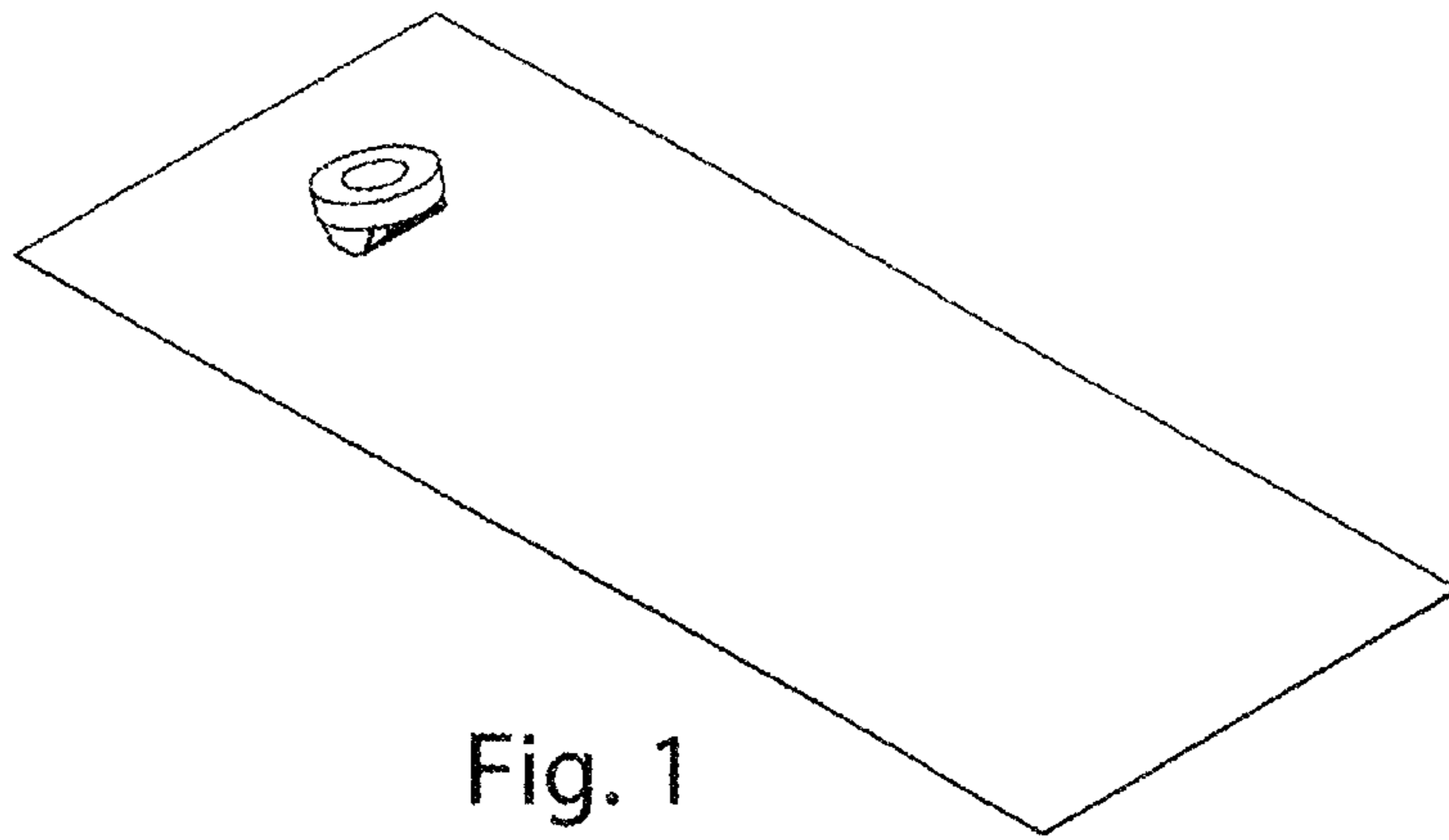


Fig. 1

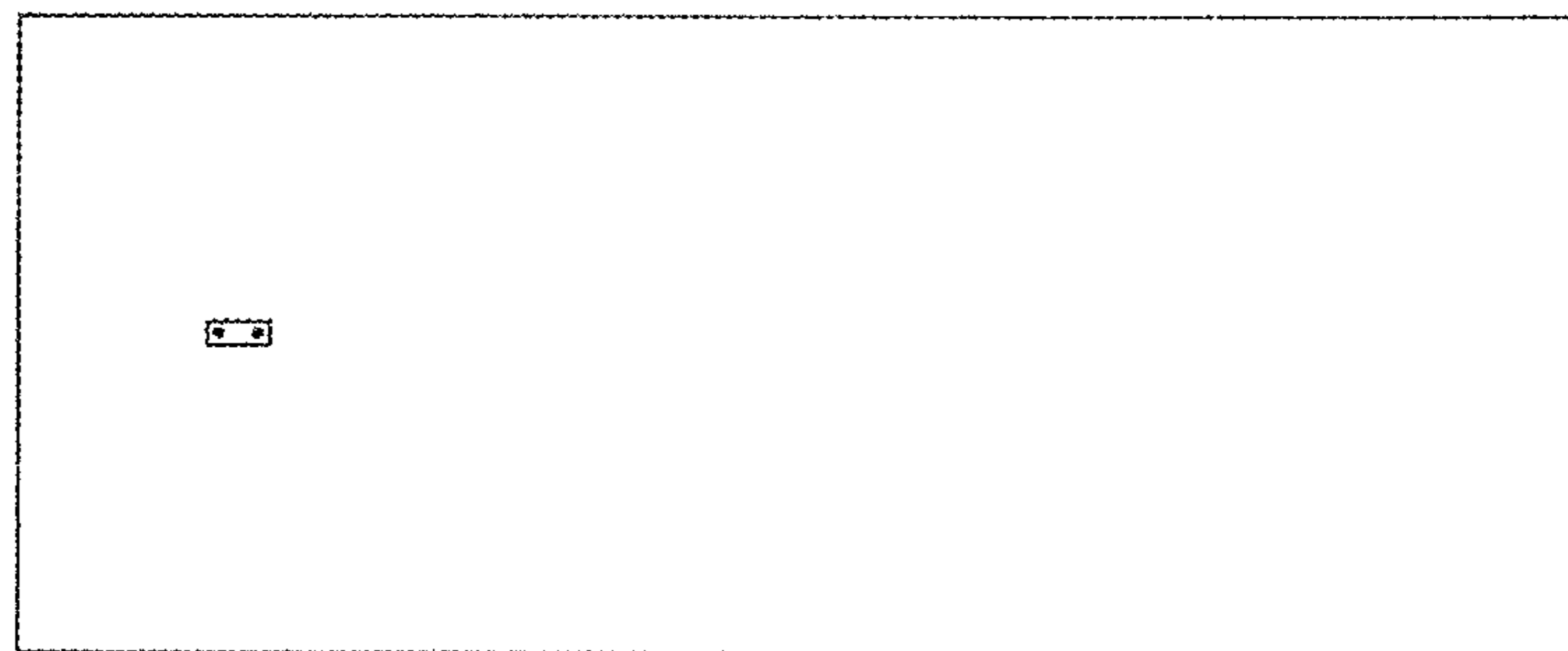


Fig. 2



Fig. 3



Fig. 4