



US00D800916S

(12) **United States Design Patent**
Spivey et al.

(10) **Patent No.: US D800,916 S**

(45) **Date of Patent: ** Oct. 24, 2017**

(54) **SAMPLE CARRIER**

B01L 9/06; B25H 3/06; A61F 2/0095;
B65D 1/34; B65D 1/36; A47F 7/02;
G01N 21/74; B22D 41/02

(71) Applicant: **Schunk Kohlenstofftechnik GmbH**,
Heuchelheim (DE)

See application file for complete search history.

(72) Inventors: **Christopher Spivey**, Lodi, CA (US);
Ching-Tung Yong, Singapore (SG);
Gerhard Schlemmer, Weimar (DE);
Rudolf Weck, Sinn (DE); **Ralf**
Gaertner, Lahnau (DE)

(56) **References Cited**

U.S. PATENT DOCUMENTS

4,303,339 A *	12/1981	Glaser	G01N 21/74 356/244
4,407,582 A *	10/1983	Woodriff	G01N 21/74 356/312
4,826,318 A *	5/1989	Guenther	G01N 21/74 356/312
4,971,438 A *	11/1990	Hutsch	G01N 21/74 356/312

(Continued)

Primary Examiner — Ian Simmons

Assistant Examiner — Mark Cavanna

(74) *Attorney, Agent, or Firm* — Quarles & Brady LLP

(73) Assignee: **SCHUNK**
KOHLENSTOFFTECHNIK GMBH,
Heuchelheim (DE)

(**) Term: **15 Years**

(21) Appl. No.: **29/544,285**

(22) Filed: **Nov. 2, 2015**

Related U.S. Application Data

(63) Continuation of application No. 13/666,035, filed on
Nov. 1, 2012, now Pat. No. 9,261,306.

(51) **LOC (10) Cl.** **24-02**

(52) **U.S. Cl.**

USPC **D24/227**

(58) **Field of Classification Search**

USPC D24/216–232, 121, 176, 123;
D3/203.1–203.8, 304, 313; 422/430, 547,
422/551, 552, 559–560, 300; D9/737,
D9/424–425, 431, 432, 758–759, 456;
206/350, 369–370, 571, 438, 557, 561,
206/564, 223; 211/85.13, 126.1;
D21/573; D8/45; D7/354, 544.3;
D6/525, 387, 625; D23/388, 403;
D12/191, 181; 356/244, 312; 266/275;
D32/46; D25/121, 138; D20/44
CPC A61B 19/0271; A61B 17/0469; A61B
19/0256; A61L 2/26; B01L 9/54; B01L
3/50825; B01L 3/5085; B01L 3/502;

(57) **CLAIM**

The ornamental design for a sample carrier, as shown and
described.

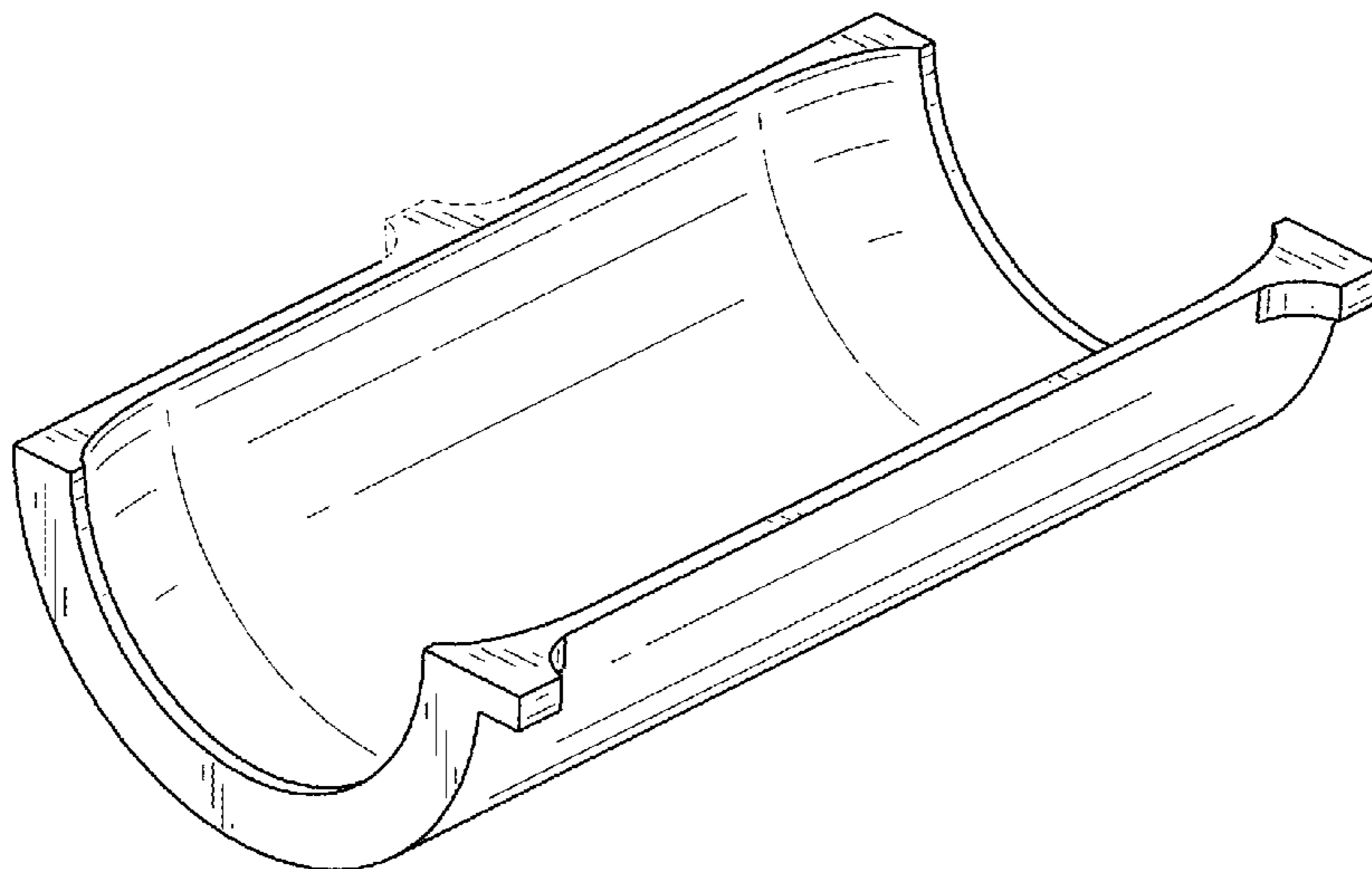
DESCRIPTION

FIG. 1 is a top, front end, right side perspective view of a
sample carrier embodying our new design;
FIG. 2 is a front end elevation view thereof;
FIG. 3 is a rear end elevation view thereof.
FIG. 4 is a right side elevational view thereof.
FIG. 5 is a left side elevational view thereof.
FIG. 6 is a top plan view thereof; and,
FIG. 7 is a bottom plan view thereof.

The broken lines are included for the purpose of illustrating
unclaimed surfaces of the sample carrier and form no part of
the claimed design.

In a preferred embodiment, the nature of this product is a
sample carrier for carrying samples in an atomizing furnace.

1 Claim, 3 Drawing Sheets



(56)

References Cited

U.S. PATENT DOCUMENTS

5,318,279 A * 6/1994 Brandy B22D 41/02
 266/275
 D365,316 S * 12/1995 Williams D12/181
 D411,672 S * 6/1999 McCoy D32/46
 5,949,538 A * 9/1999 Eichardt G01N 21/74
 356/312
 D457,972 S * 5/2002 Harel D25/121
 6,894,776 B2 * 5/2005 Schlemmer G01N 21/74
 356/312
 D512,787 S * 12/2005 Lonneman D25/138
 D513,280 S * 12/2005 Kosir D20/44
 D557,925 S * 12/2007 Ando D6/387
 D571,868 S * 6/2008 Dochterman D21/573
 D602,753 S * 10/2009 McLaughlin D8/45
 D620,291 S * 7/2010 Smith D6/525
 D620,305 S * 7/2010 Tosdale D7/354
 D629,119 S * 12/2010 Motadel D24/224
 D637,278 S * 5/2011 Lau D23/403
 D638,137 S * 5/2011 Gross D24/227
 D669,596 S * 10/2012 Motadel D24/224
 D713,953 S * 9/2014 Jepson D23/388
 D720,470 S * 12/2014 Lober D24/227
 D729,403 S * 5/2015 Hage D24/227
 D762,539 S * 8/2016 Marcus D12/191
 2014/0118734 A1 * 5/2014 Spivey G01N 21/74

* cited by examiner

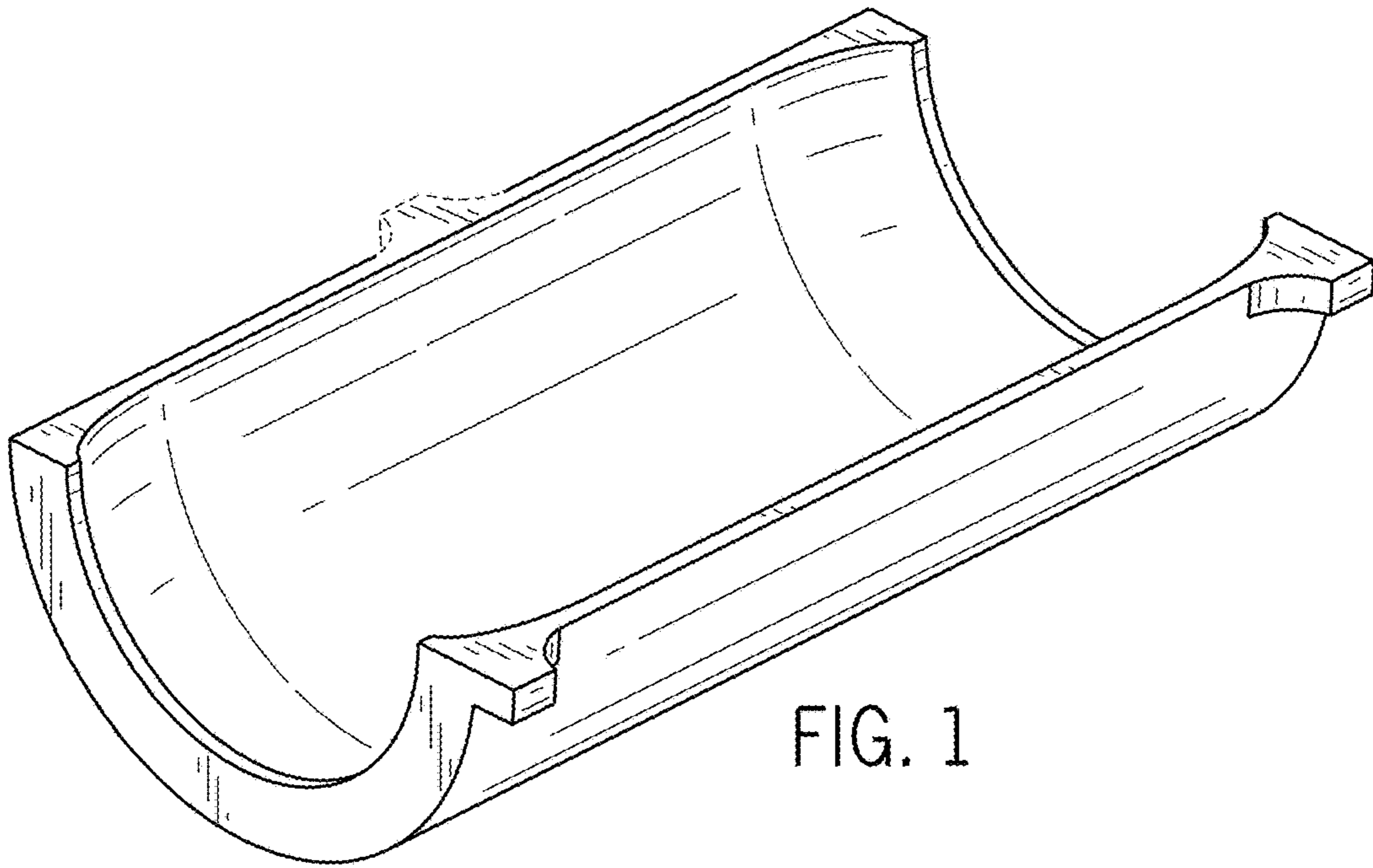


FIG. 1

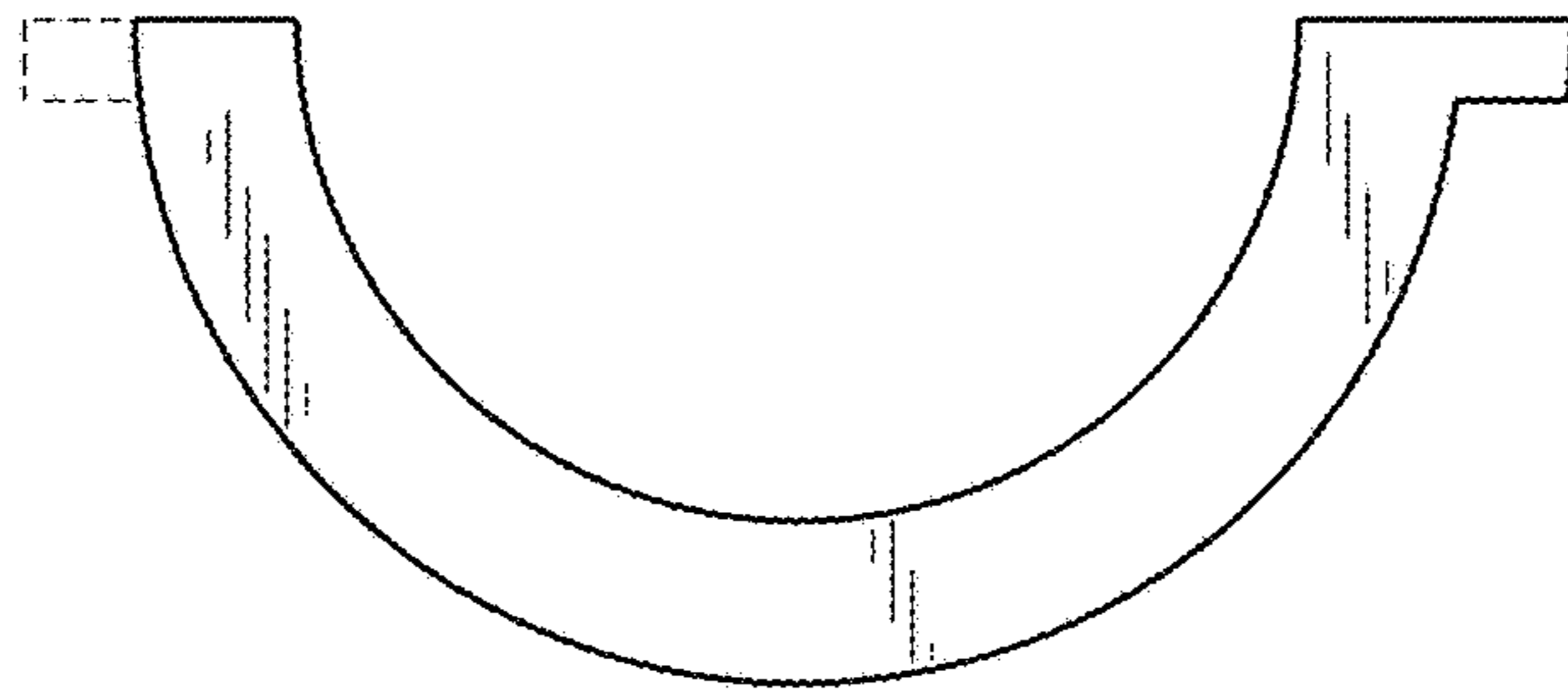


FIG. 2

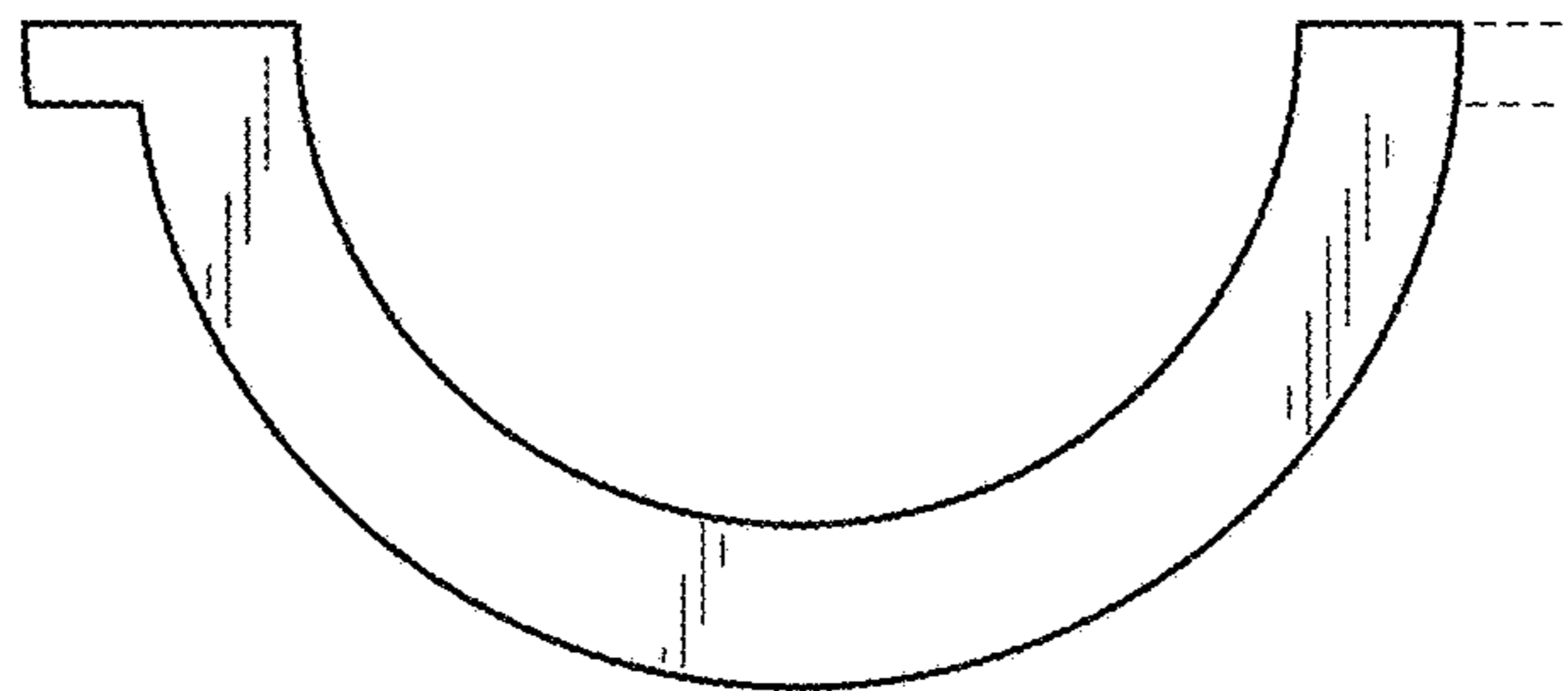


FIG. 3

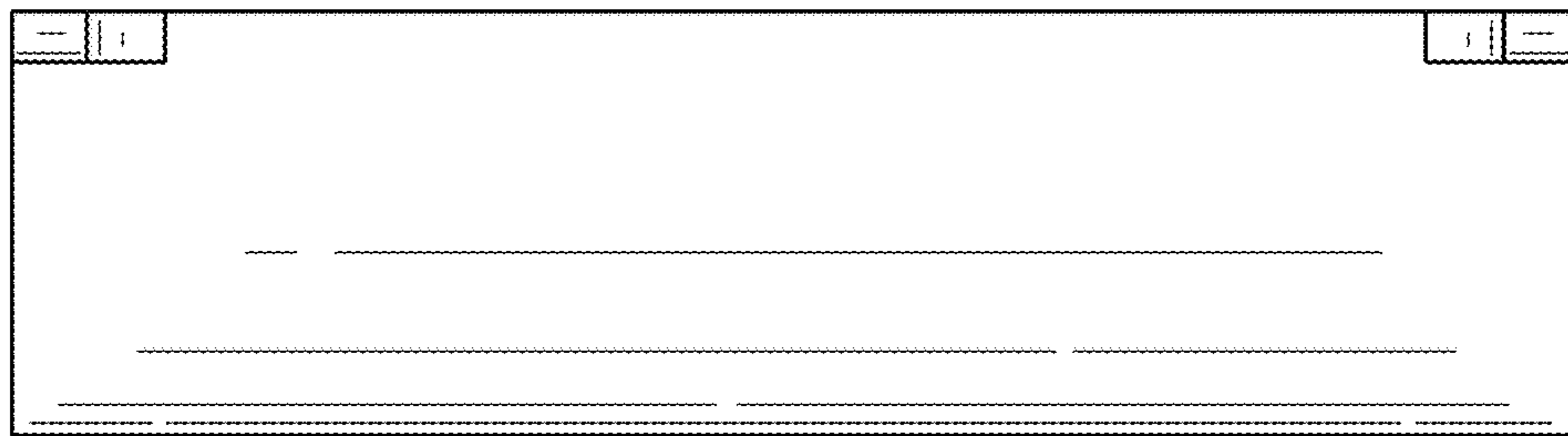


FIG. 4

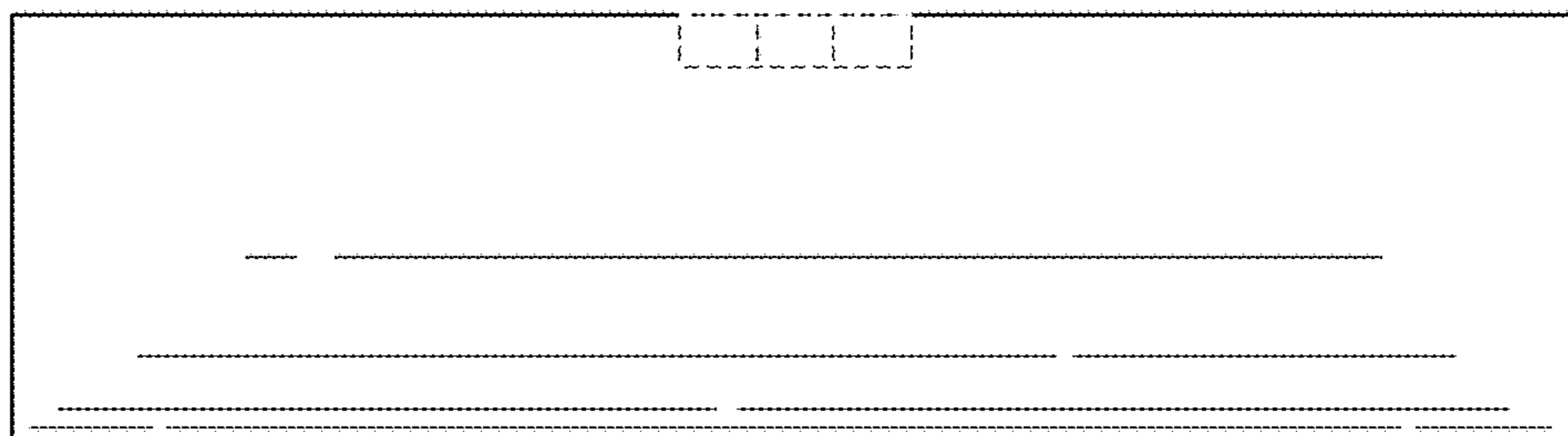


FIG. 5

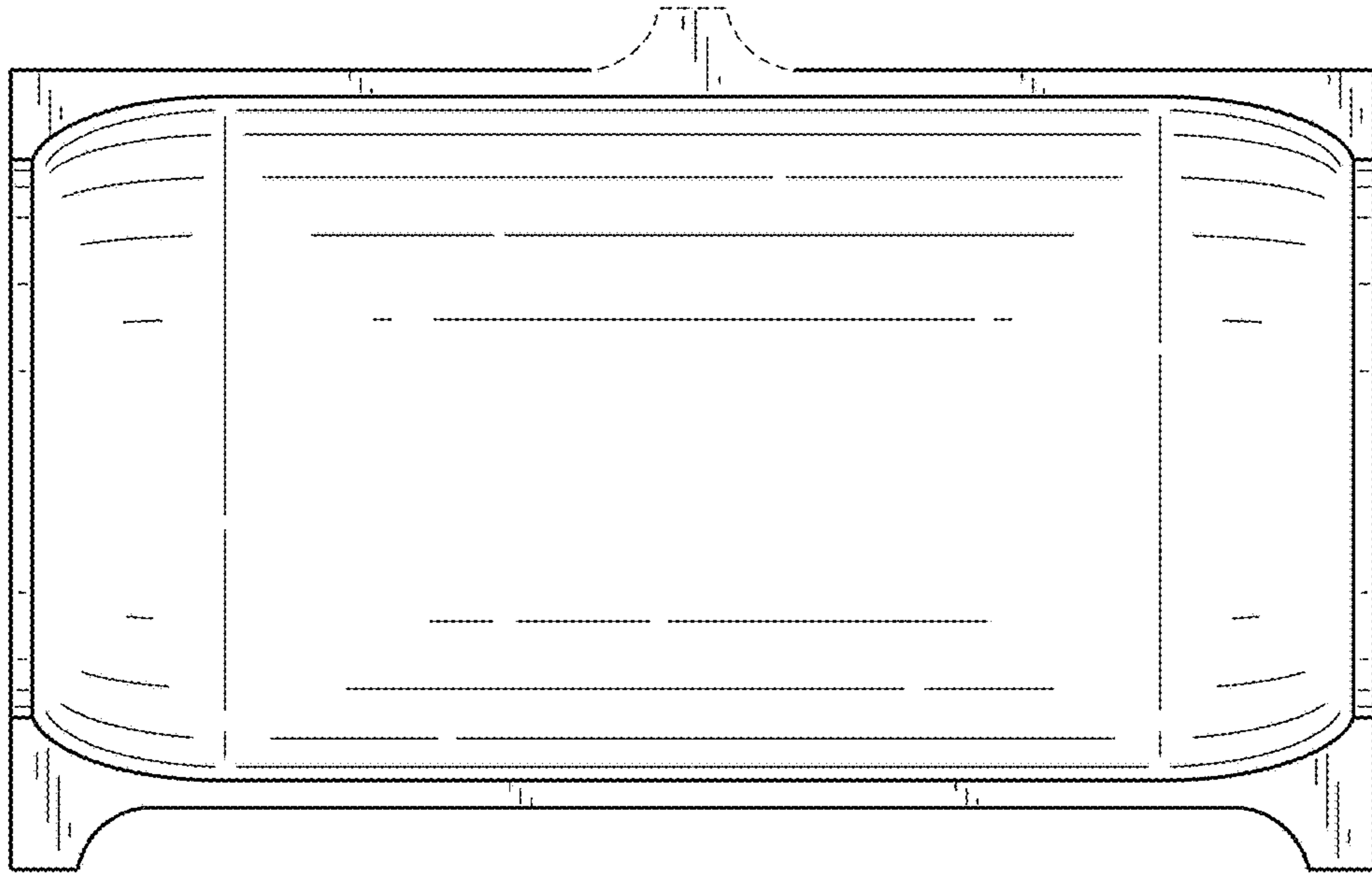


FIG. 6

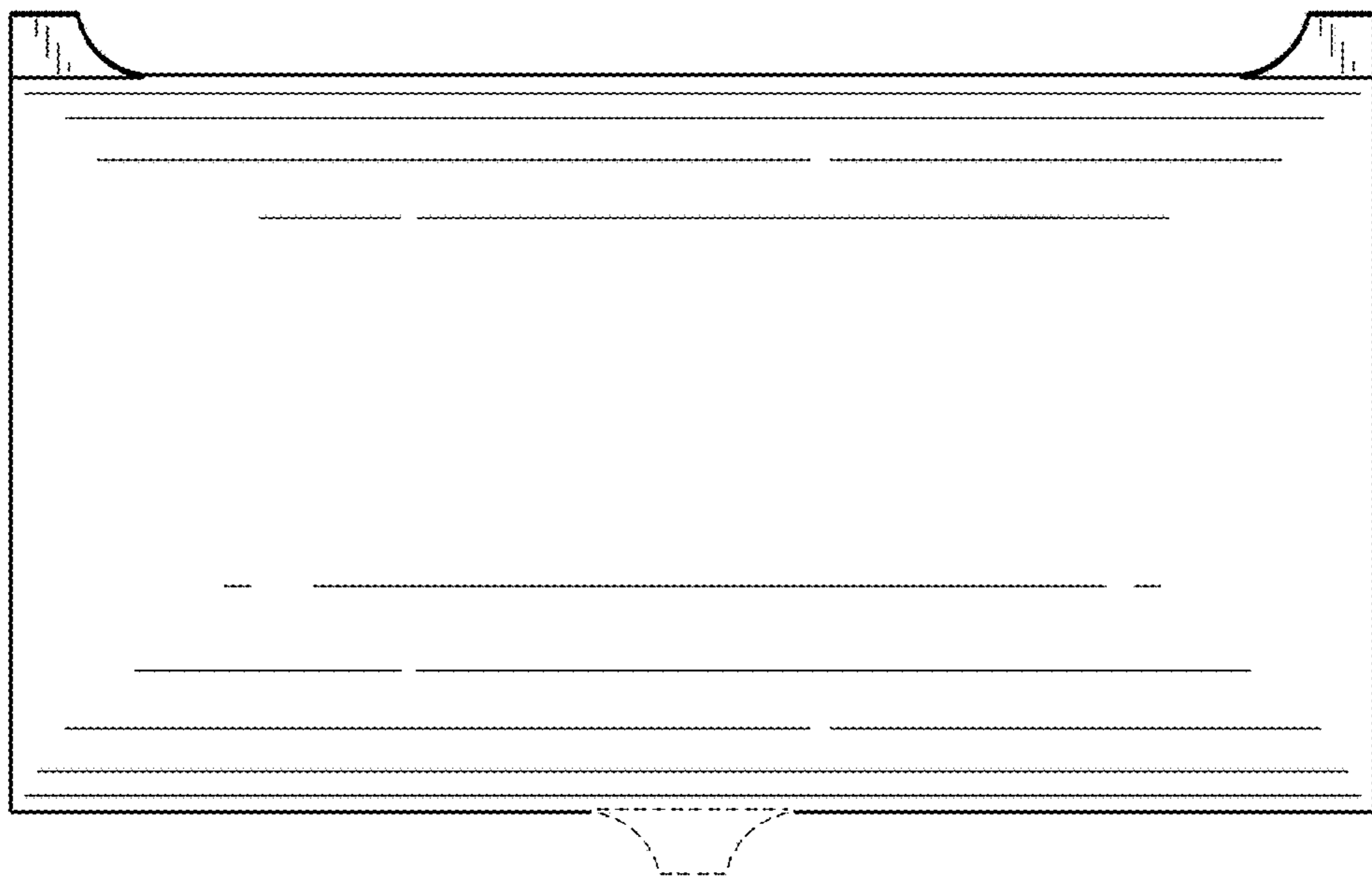


FIG. 7