



US00D800910S

(12) **United States Design Patent**  
**Layzell**

(10) **Patent No.:** **US D800,910 S**

(45) **Date of Patent:** **\*\* Oct. 24, 2017**

- (54) **BITE REGULATOR**
- (71) Applicant: **PX3 Sports Science**, Calgary (CA)
- (72) Inventor: **P. Bradley Layzell**, Calgary (CA)
- (73) Assignee: **PX3 Sports Science**, Calgary (CA)
- (\*\*) Term: **14 Years**
- (21) Appl. No.: **29/498,917**
- (22) Filed: **Aug. 8, 2014**

- 5,752,826 A 5/1998 Andreiko
- 5,807,103 A 9/1998 Andrews
- D406,405 S \* 3/1999 Yoshida ..... D24/176
- D492,785 S 7/2004 Garabito

(Continued)

*Primary Examiner* — Wan Laymon

(74) *Attorney, Agent, or Firm* — Lempia Summerfield Katz LLC

(57) **CLAIM**

The ornamental design for a “bite regulator,” as shown and described.

**Related U.S. Application Data**

- (62) Division of application No. 29/449,435, filed on Mar. 15, 2013, now Pat. No. Des. 712,542.
- (51) **LOC (10) Cl.** ..... **24-01**
- (52) **U.S. Cl.**  
USPC ..... **D24/181**
- (58) **Field of Classification Search**  
USPC ..... D24/176–181, 152, 156; D29/108  
CPC ..... A61C 7/08; A61C 5/14; A63B 71/085;  
A61F 5/566; A61F 5/56  
See application file for complete search history.

**DESCRIPTION**

FIG. 1 is a top, front, and right side perspective view of one example of my new design for a bite regulator.

FIG. 2 is a front view of the bite regulator shown in FIG. 1.

FIG. 3 is a rear view of the bite regulator shown in FIG. 1.

FIG. 4 is a top view of the bite regulator shown in FIG. 1.

FIG. 5 is a bottom view of the bite regulator shown in FIG. 1.

FIG. 6 is a left side view of the bite regulator shown in FIG. 1, the right side view being a mirror image thereof.

FIG. 7 is a top, front, and left side perspective view of another embodiment of my new design for a bite regulator.

FIG. 8 is a front view of the bite regulator shown in FIG. 7.

FIG. 9 is a rear view of the bite regulator shown in FIG. 7.

FIG. 10 is a top view of the bite regulator shown in FIG. 7.

FIG. 11 is a bottom view of the bite regulator shown in FIG. 7; and,

FIG. 12 is a right side view of the bite regulator shown in FIG. 7, the left side view being a mirror image thereof.

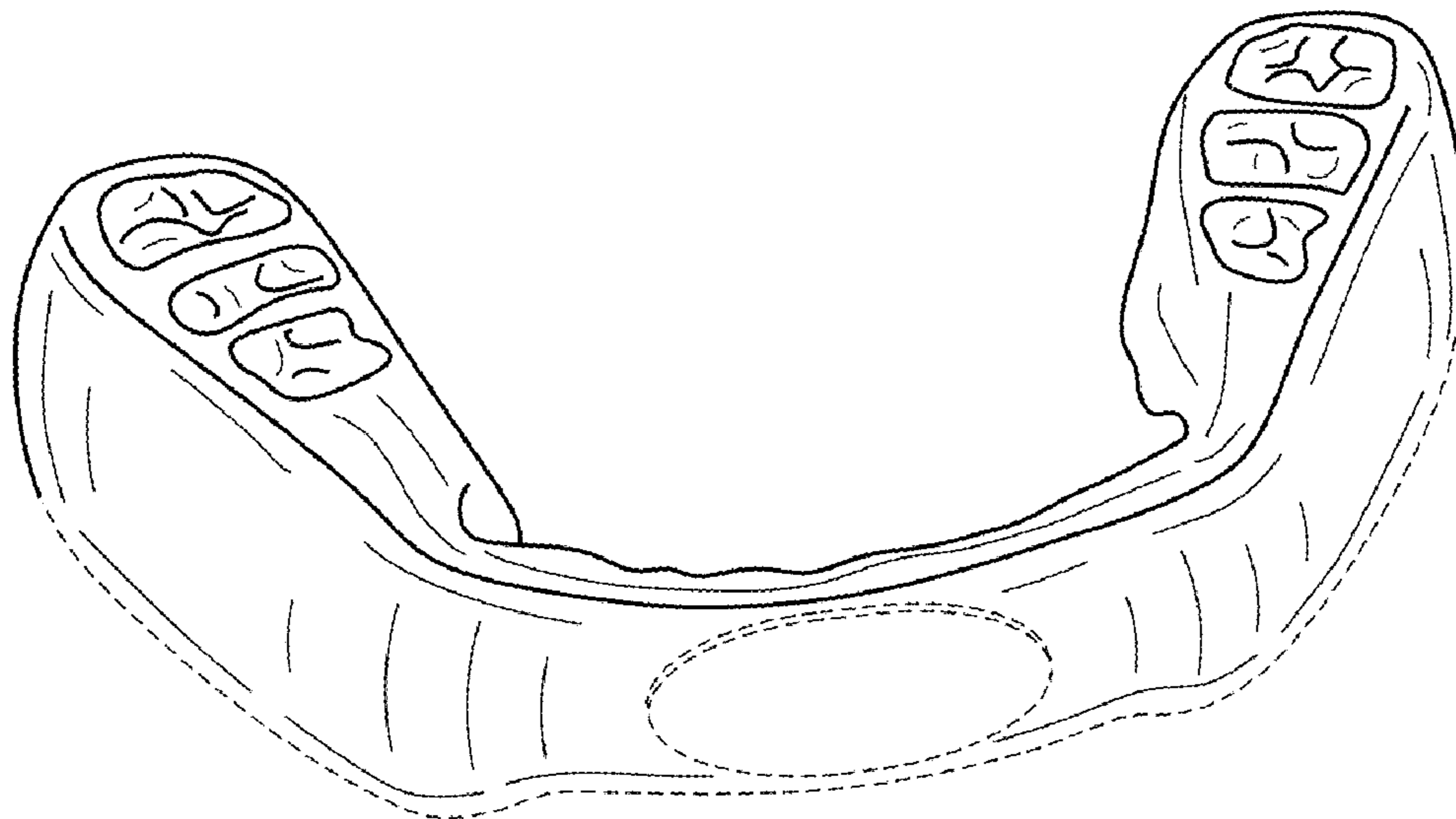
The broken lines showing in the figures represent portions of the bite regulator that form no part of the claimed design.

(56) **References Cited**

**U.S. PATENT DOCUMENTS**

- 1,910,740 A 5/1933 Barsha
- 2,549,184 A 4/1951 Eliot
- 2,550,869 A 5/1951 Salibury
- 2,827,899 A 3/1958 Domenico
- 5,090,901 A 2/1992 Levandoski
- 5,154,609 A 10/1992 George
- 5,176,515 A 1/1993 Andrews
- 5,313,960 A 5/1994 Tomasi
- 5,584,687 A \* 12/1996 Sullivan ..... A61F 5/566  
128/861

**1 Claim, 6 Drawing Sheets**



# US D800,910 S

Page 2

(56)

## References Cited

### U.S. PATENT DOCUMENTS

D530,425 S	10/2006	Carlson	8,567,408 B2 *	10/2013	Roettger .....	A63B 71/085 128/861		
7,128,574 B2	10/2006	Adams	2010/0055634 A1	3/2010	Spaulding et al.			
D609,348 S	2/2010	Farrell	2010/0252053 A1 *	10/2010	Garner .....	A63B 71/085 128/845		
7,798,149 B2	9/2010	Haduong	2010/0300457 A1	12/2010	Horchover			
7,918,228 B2	4/2011	Smernoff	2013/0239978 A1 *	9/2013	Stubbs .....	A61F 5/566 128/861		
D641,478 S *	7/2011	Belvedere .....	2013/0244198 A1	9/2013	Baumann et al.			
8,113,206 B2 *	2/2012	Roettger .....	2014/0026896 A1 *	1/2014	Roettger .....	A63B 71/085 128/861		
					2014/0261464 A1 *	9/2014	Layzell .....	A61F 5/566 128/861
D655,816 S	3/2012	Llop et al.			2016/0158628 A1 *	6/2016	Layzell .....	A61C 7/08 128/862
D663,485 S	7/2012	Turkbas et al.						
8,287,276 B2	10/2012	Klett						
D688,832 S	8/2013	Polk, III						

\* cited by examiner

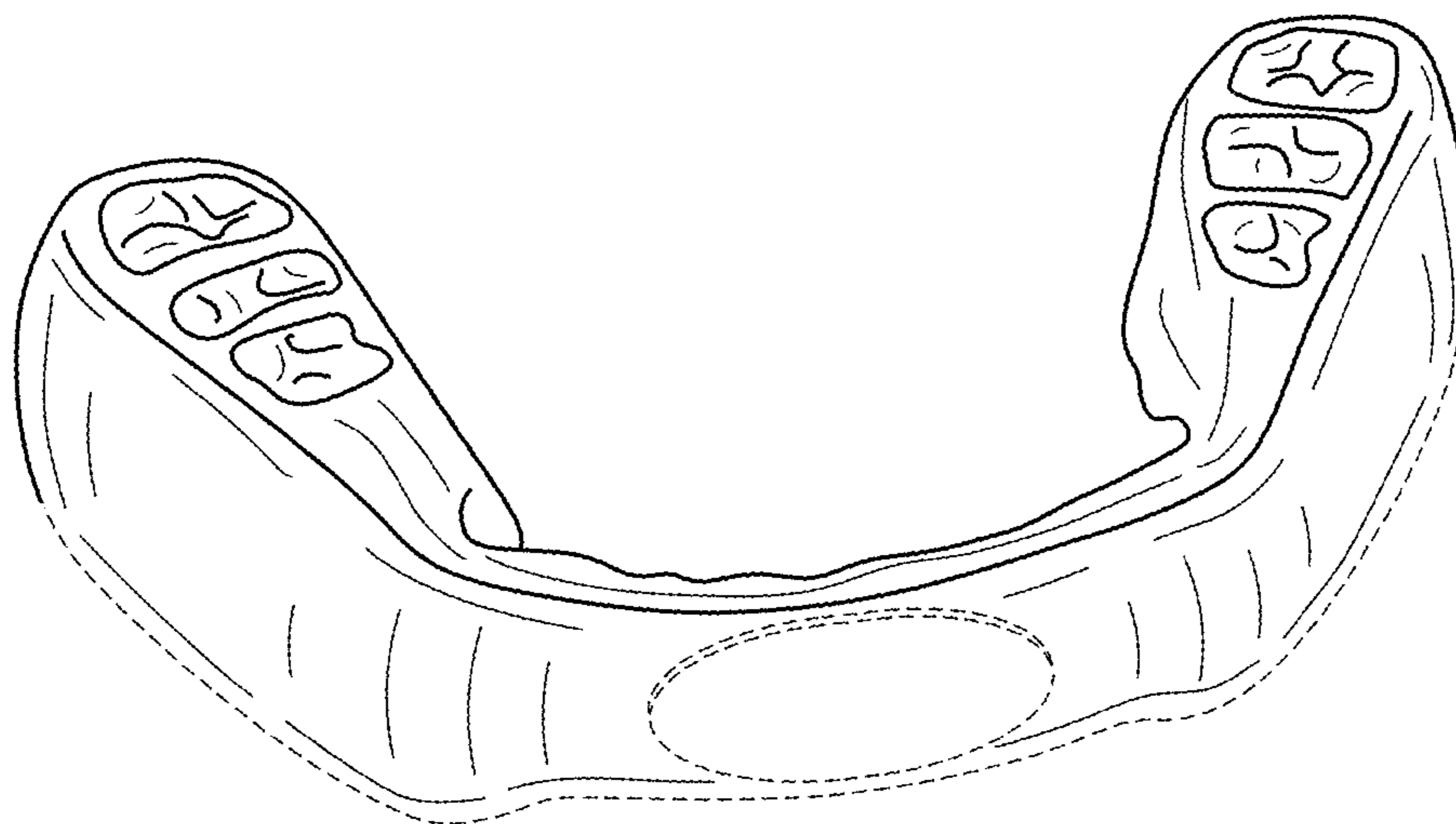


FIG. 1

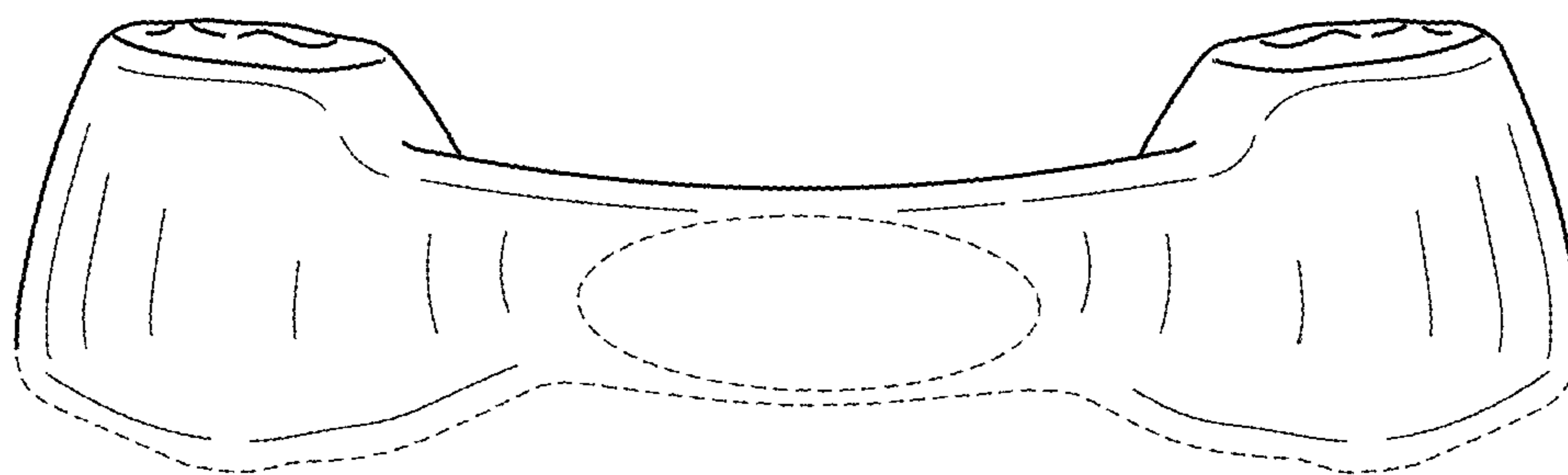


FIG. 2

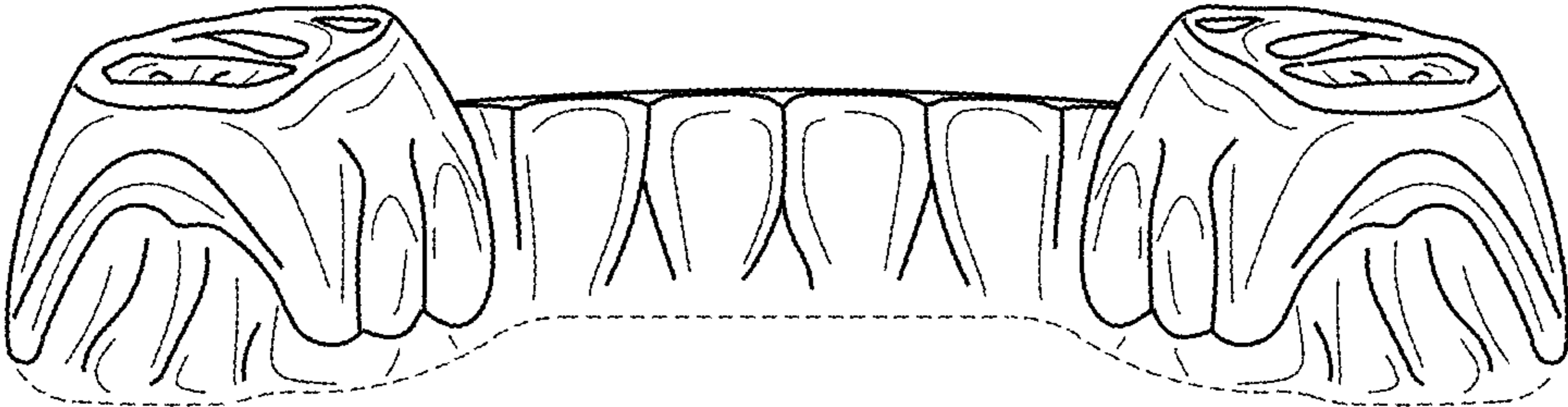


FIG. 3

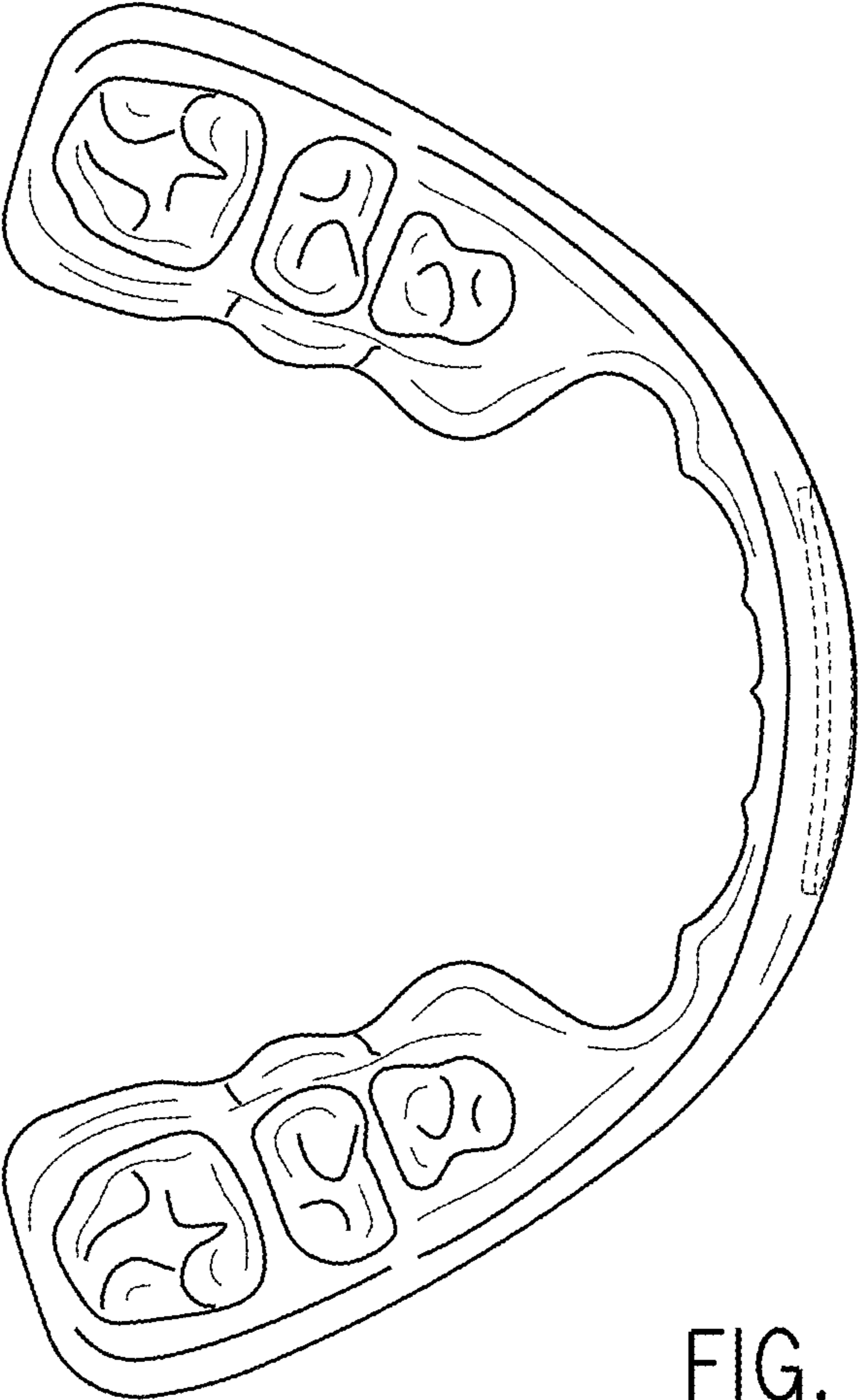


FIG. 4

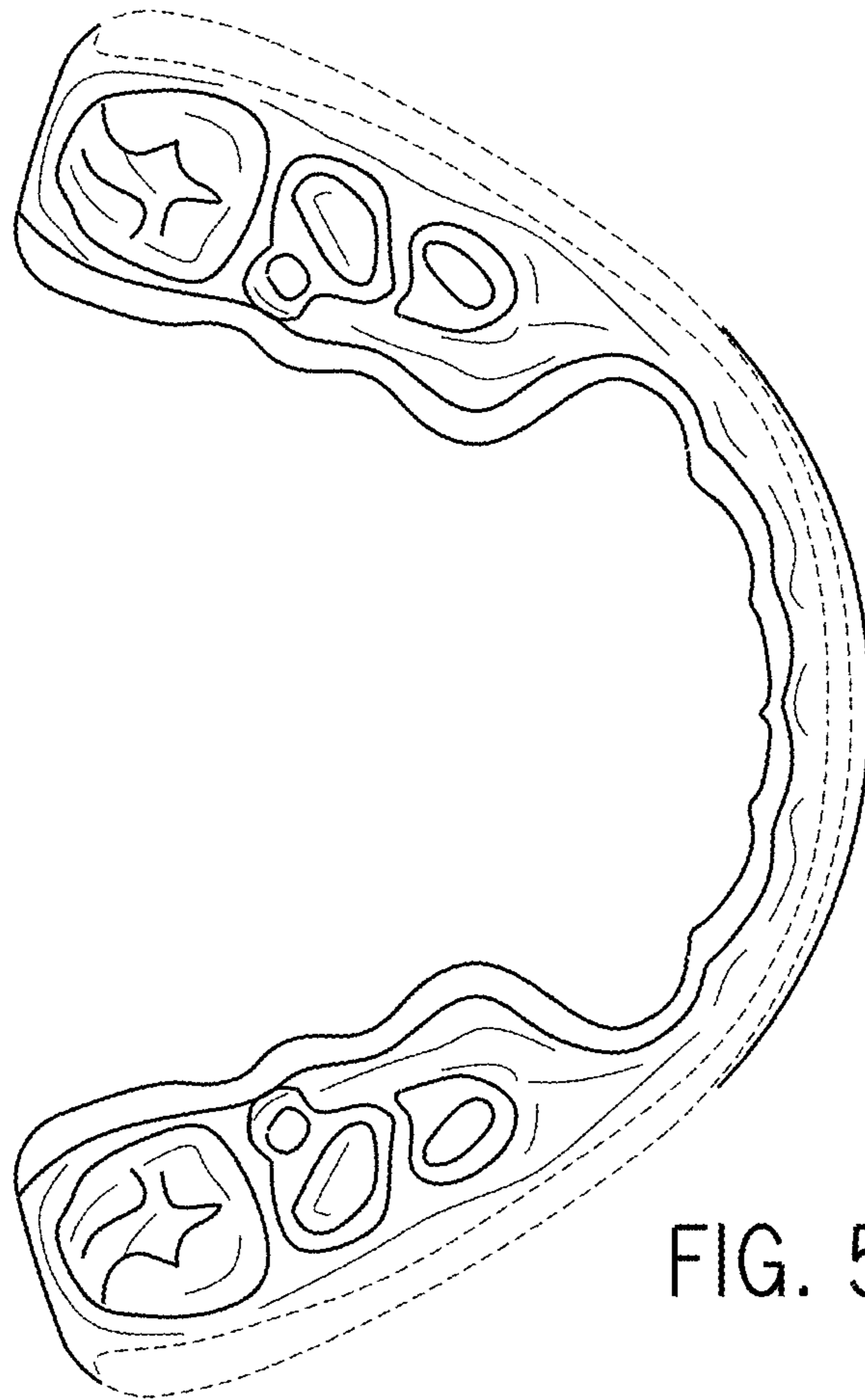


FIG. 5

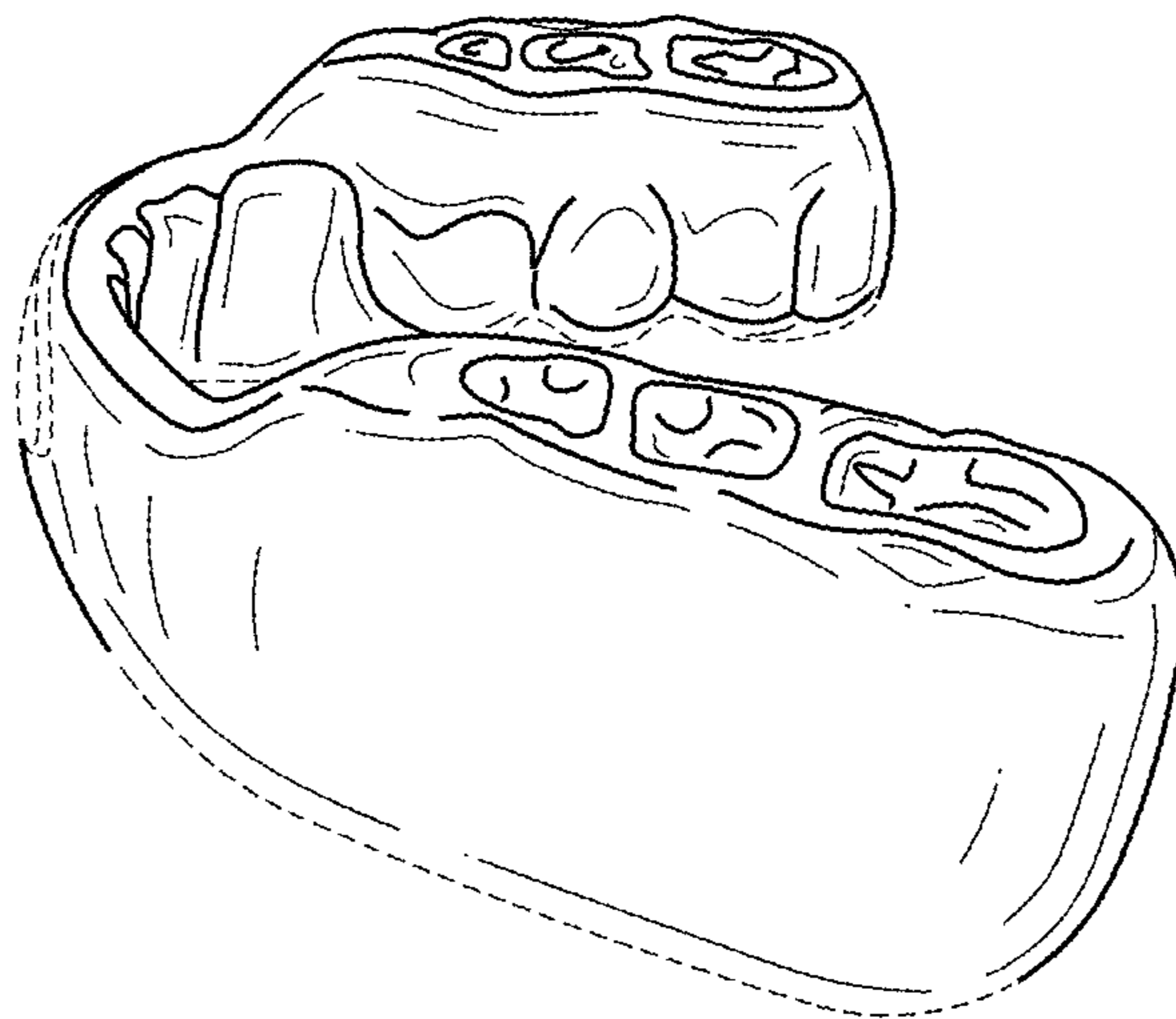


FIG. 6

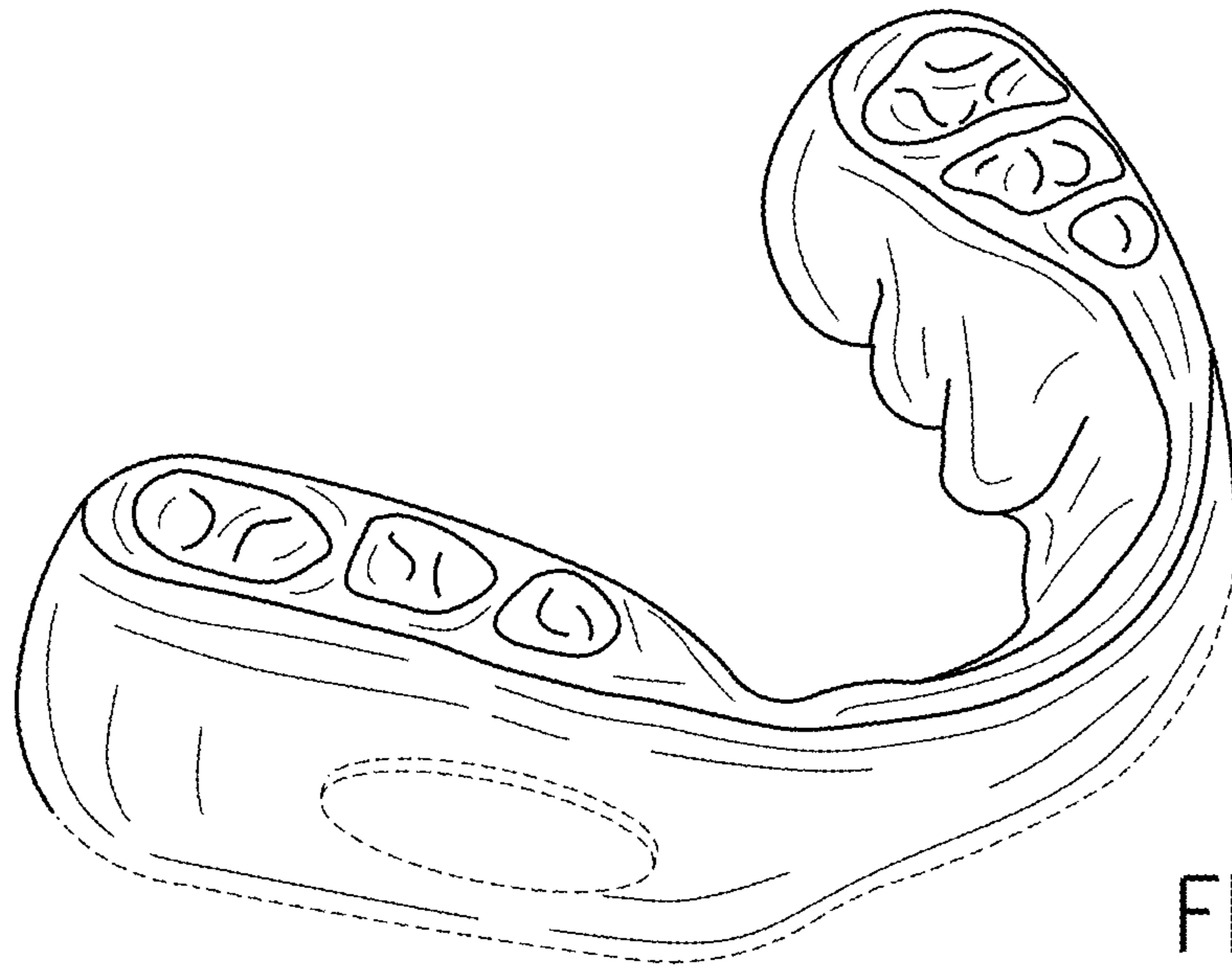


FIG. 7

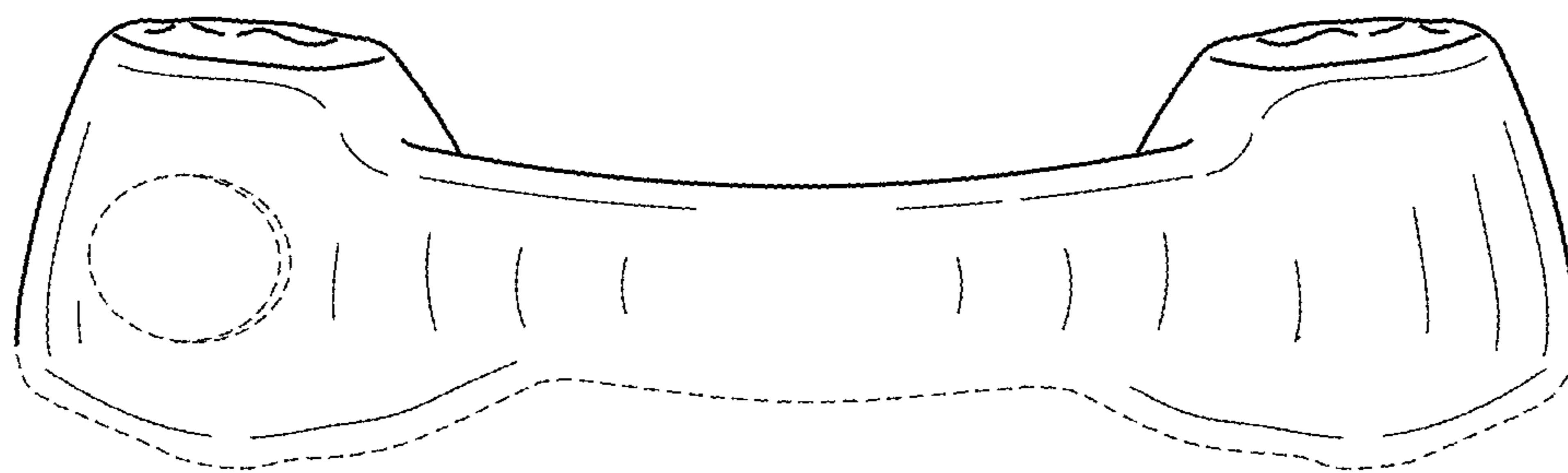


FIG. 8

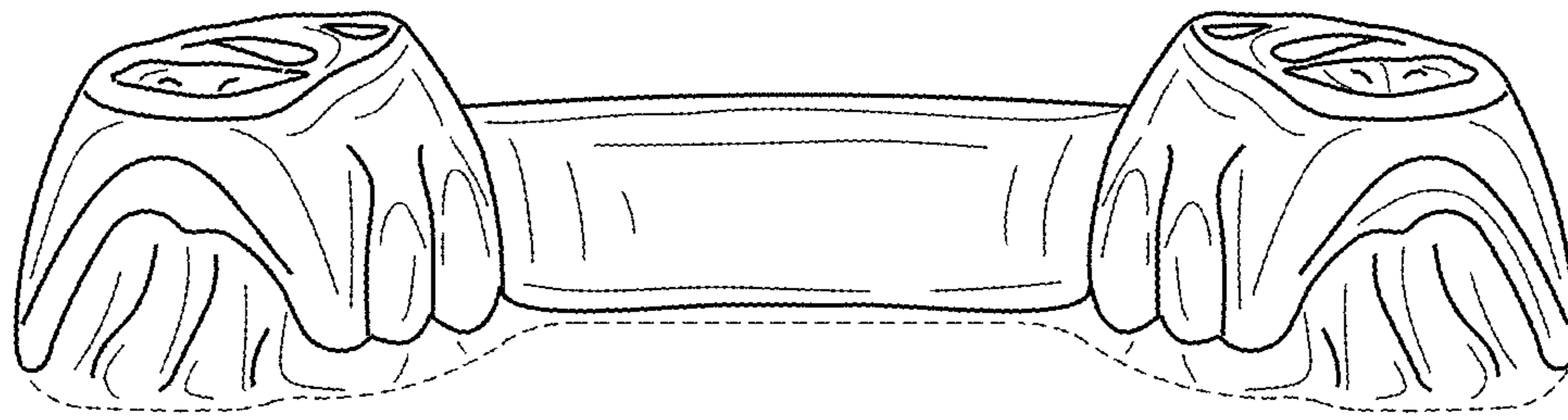


FIG. 9

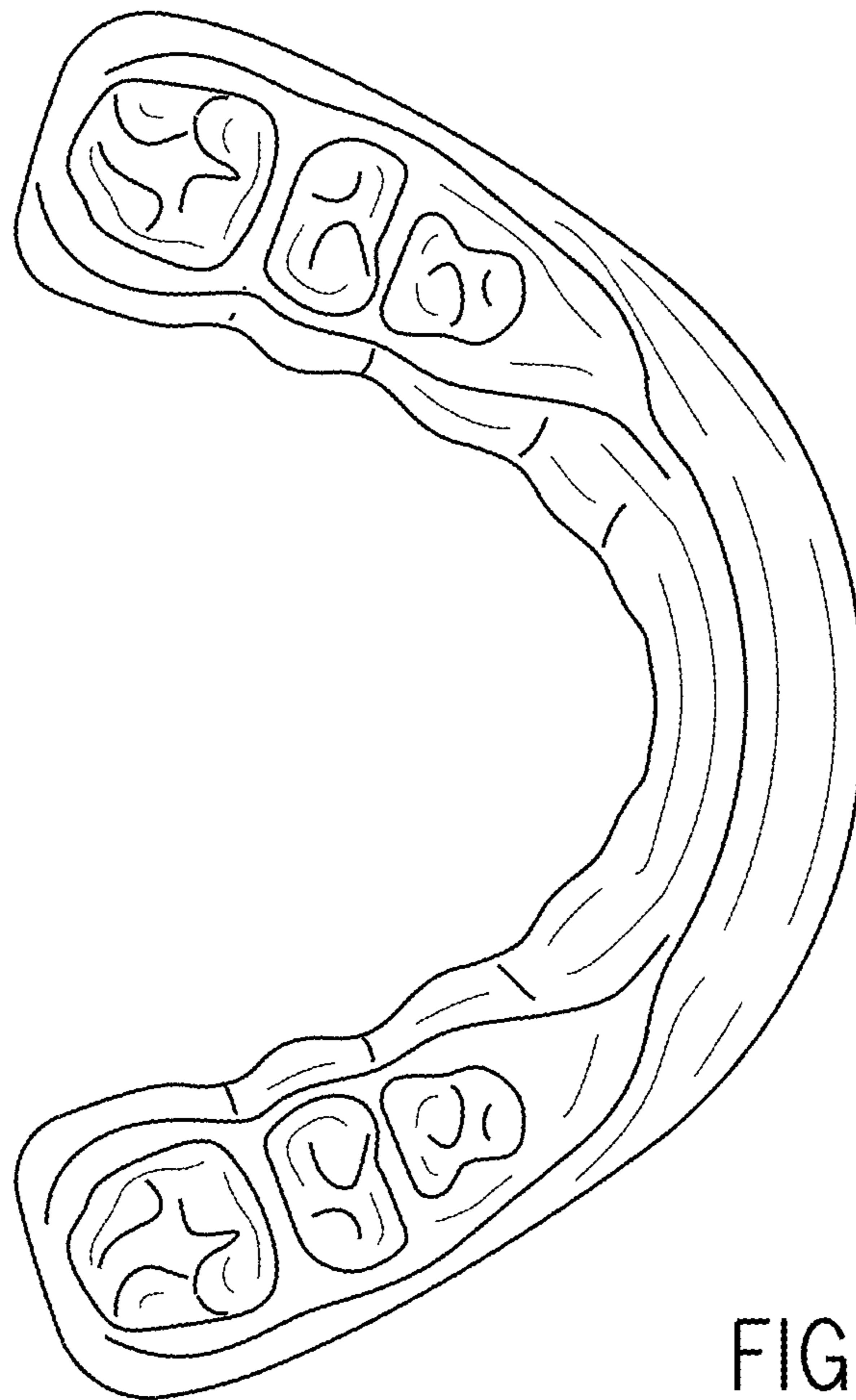


FIG. 10

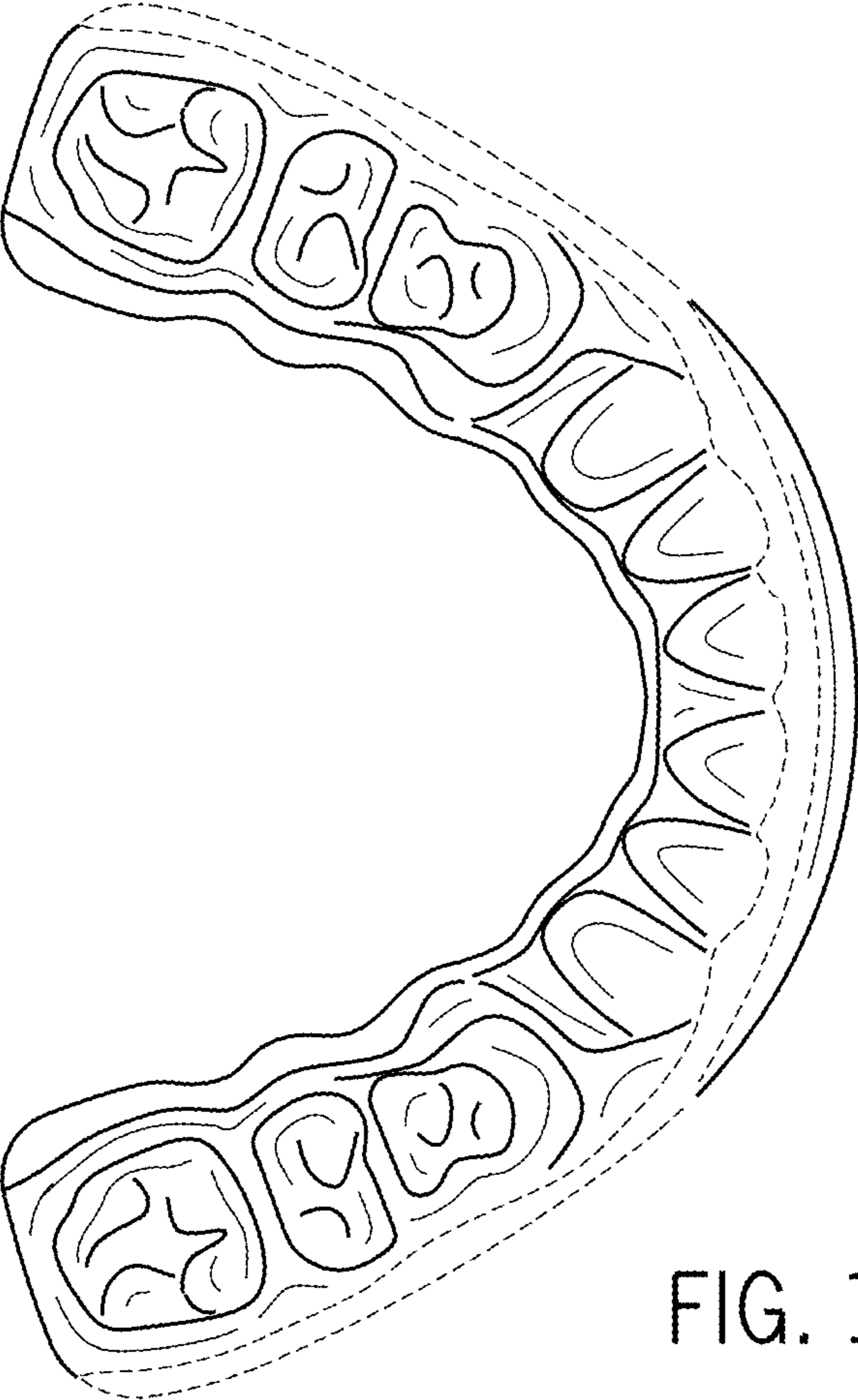


FIG. 11

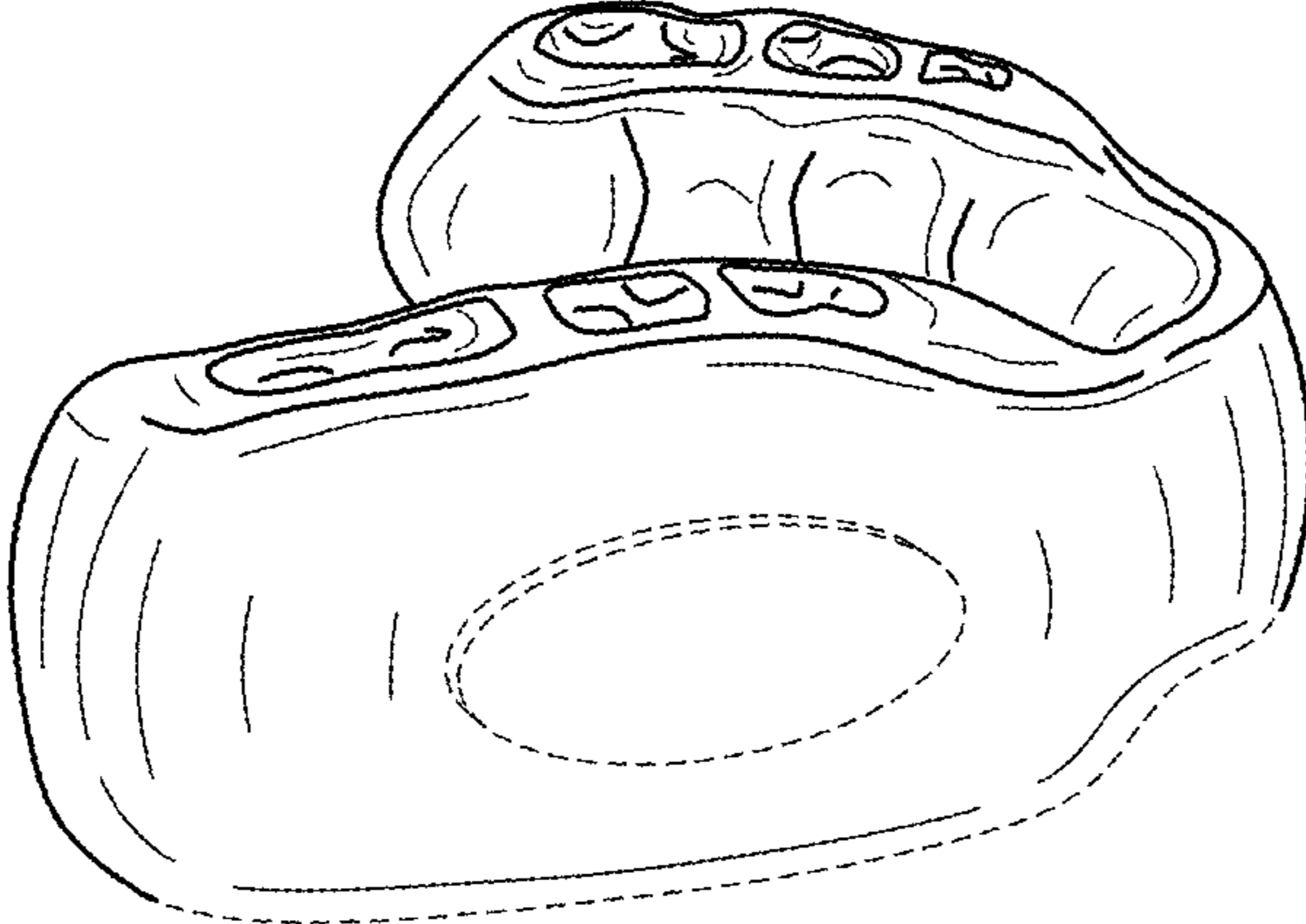


FIG. 12