



US00D800905S

(12) **United States Design Patent** (10) **Patent No.:** **US D800,905 S**
Austria (45) **Date of Patent:** **** Oct. 24, 2017**

(54) **SCALPEL HANDLE SHEATH**

FOREIGN PATENT DOCUMENTS

(71) Applicant: **Aspen Surgical Products, Inc.**,
Caledonia, MI (US)

AU 620691 B 2/1992
GB 846877 A 8/1960
(Continued)

(72) Inventor: **Georgene Austria**, Calabasas, CA (US)

OTHER PUBLICATIONS

(73) Assignee: **Aspen Surgical Products, Inc.**,
Caledonia, MI (US)

European Search Report dated May 20, 2015; Application No. 15158070.1-1659; pp. 1-4.

(**) Term: **14 Years**

Primary Examiner — Thomas Johannes
Assistant Examiner — Samantha Q Lawrence
(74) *Attorney, Agent, or Firm* — Price Heneveld LLP

(21) Appl. No.: **29/519,622**

(57) **CLAIM**

(22) Filed: **Mar. 6, 2015**

The ornamental design for a scalpel handle sheath, as shown and described.

(51) **LOC (10) Cl.** **24-02**

(52) **U.S. Cl.**
USPC **D24/146**

DESCRIPTION

(58) **Field of Classification Search**
USPC D24/133, 140; 30/151, 335; 606/167
See application file for complete search history.

FIG. 1 is a front perspective view of a scalpel handle sheath according to our design in a first configuration;
FIG. 2 is a front view thereof;
FIG. 3 is a back view thereof;
FIG. 4 is a right side view thereof;
FIG. 5 is a left side view thereof;
FIG. 6 is a top view thereof;
FIG. 7 is a bottom view thereof;
FIG. 8 is a front perspective view of the scalpel handle sheath according to our design in a second configuration;
FIG. 9 is a front view thereof;
FIG. 10 is a back view thereof;
FIG. 11 is a right side view thereof;
FIG. 12 is a left side view thereof;
FIG. 13 is a top view thereof; and,
FIG. 14 is a bottom view thereof.
The broken lines showing a scalpel illustrate environmental subject matter that forms no part of the claimed design. Other broken lines shown in FIGS. 1-14 illustrate portions of the scalpel handle sheath that form no part of the claimed design.

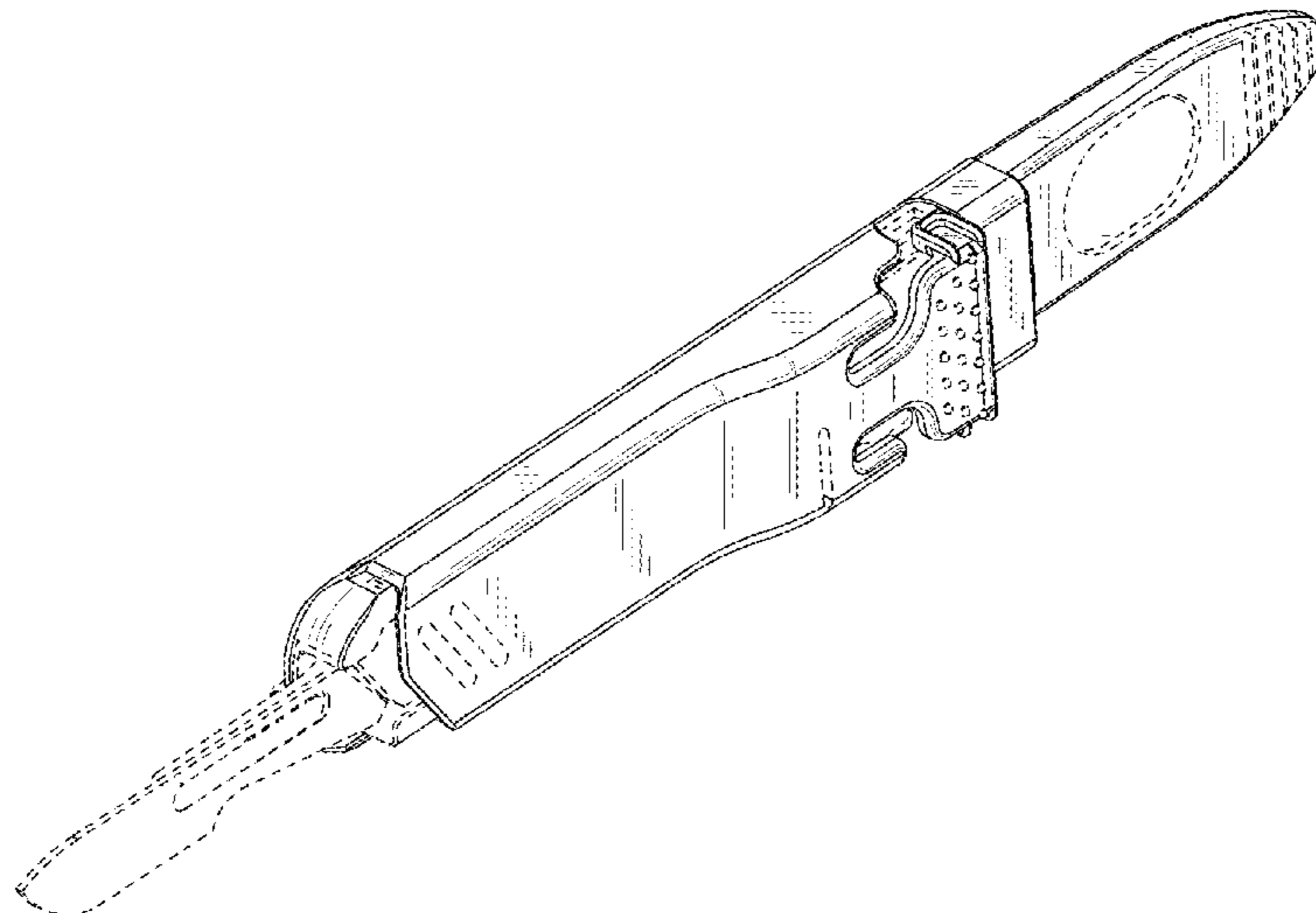
(56) **References Cited**

U.S. PATENT DOCUMENTS

3,921,289	A	11/1975	Hasegawa	
4,173,071	A	11/1979	Ishida	
4,998,334	A	3/1991	Pemberton et al.	
5,868,771	A	2/1999	Herbert et al.	
D475,135	S *	5/2003	Howell	D24/147
6,626,925	B2 *	9/2003	Newman	A61B 17/3213 30/151
6,629,985	B1 *	10/2003	Kiehne	A61B 17/3213 30/162
D482,122	S *	11/2003	Cohn	D24/133
6,645,216	B2 *	11/2003	Masury	A61B 17/3211 30/162
6,757,977	B2	7/2004	Dambal et al.	
D542,415	S	5/2007	Sandel	

(Continued)

1 Claim, 8 Drawing Sheets



(56)

References Cited

U.S. PATENT DOCUMENTS

D568,475 S 5/2008 Sandel et al.
8,015,712 B2 * 9/2011 Yi A61B 17/3213
30/162
8,898,910 B2 12/2014 Ichiyangi et al.
8,931,181 B2 * 1/2015 Milton A61B 17/3213
30/162
9,113,946 B2 * 8/2015 Hajgato A61B 17/3213
D739,020 S * 9/2015 Kumar D24/147
2004/0186496 A1 9/2004 Sandel et al.
2009/0192538 A1 7/2009 Sandel et al.
2010/0137894 A1 6/2010 Ueno et al.
2012/0311869 A1 12/2012 Ichiyangi et al.
2013/0079804 A1 3/2013 Milton et al.

FOREIGN PATENT DOCUMENTS

GB 2464751 B 5/2012
JP 3026909 B2 3/2000
JP 03126664 B2 1/2001
JP 2002177291 A 6/2002
JP 2006340857 A 12/2006
JP 5390694 B2 1/2014
WO 2008132762 A1 11/2008
WO 2011108099 A1 9/2011
WO 2012002910 A1 1/2012

* cited by examiner

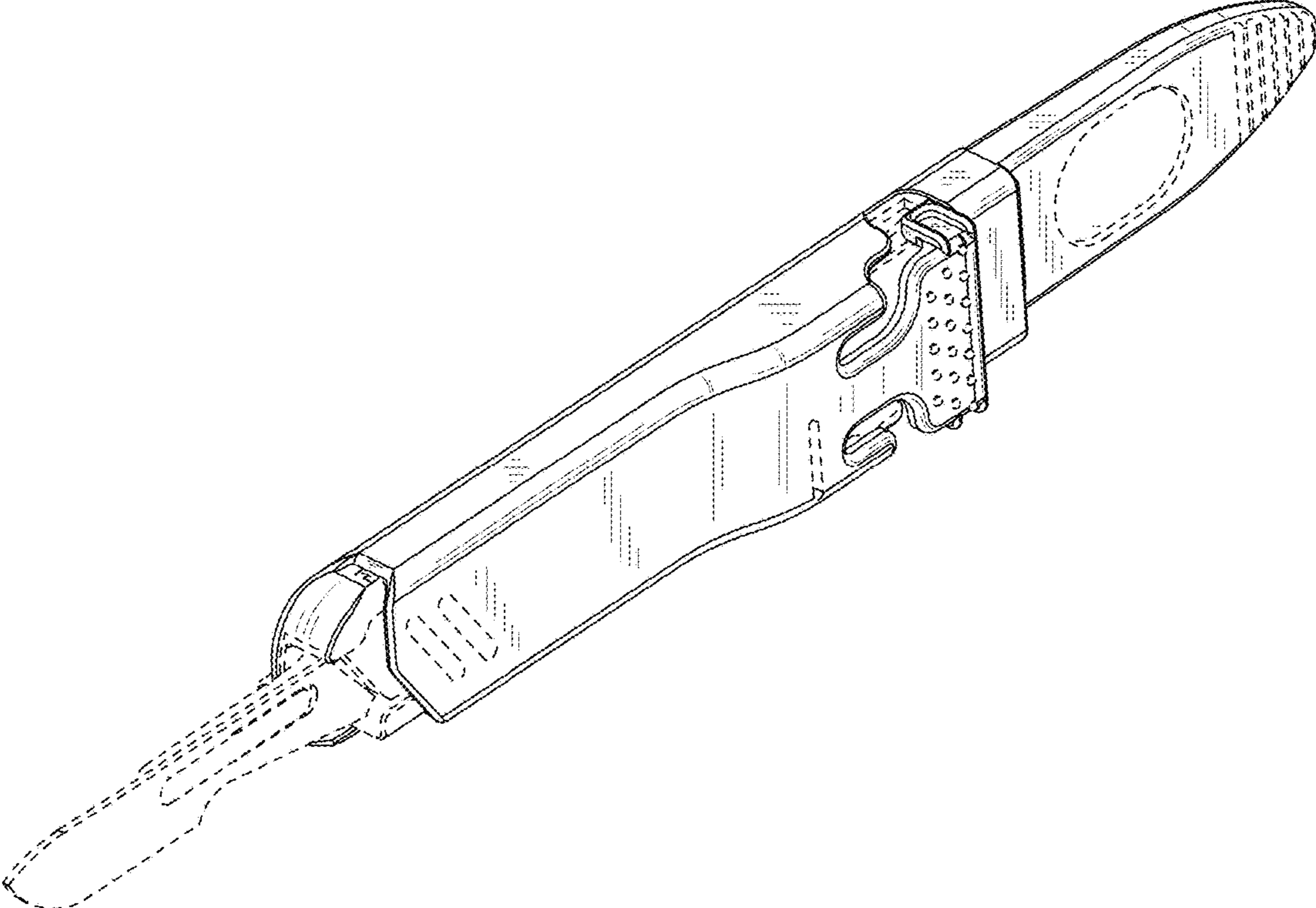


FIG. 1

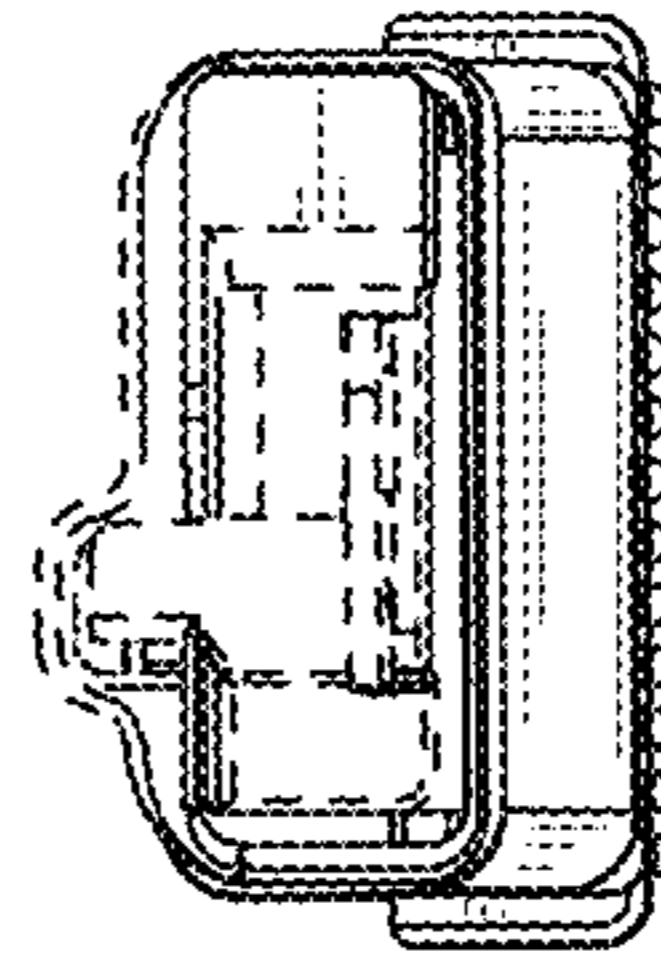


FIG. 2

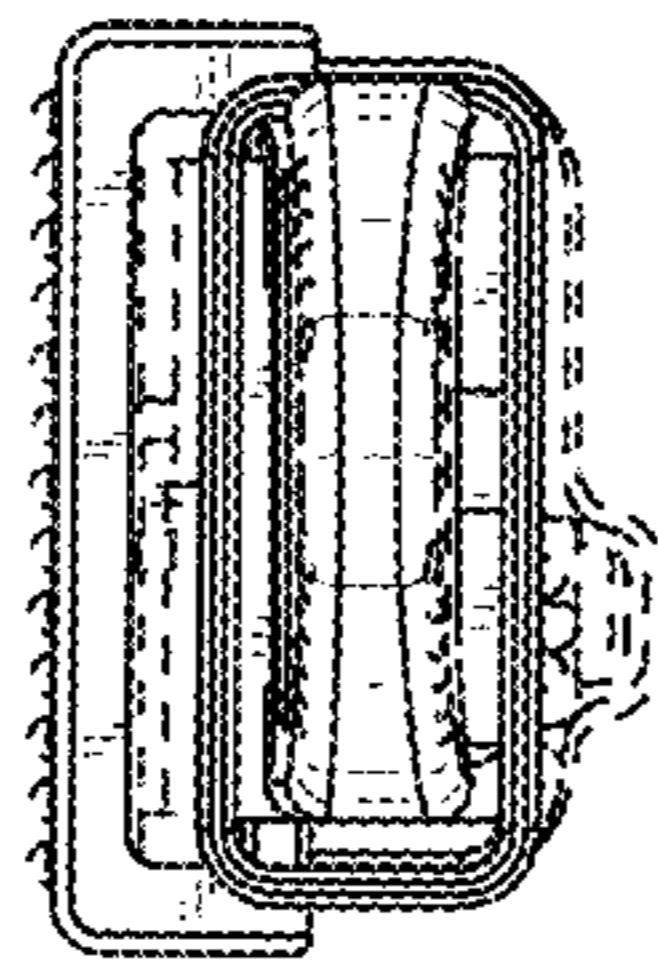


FIG. 3

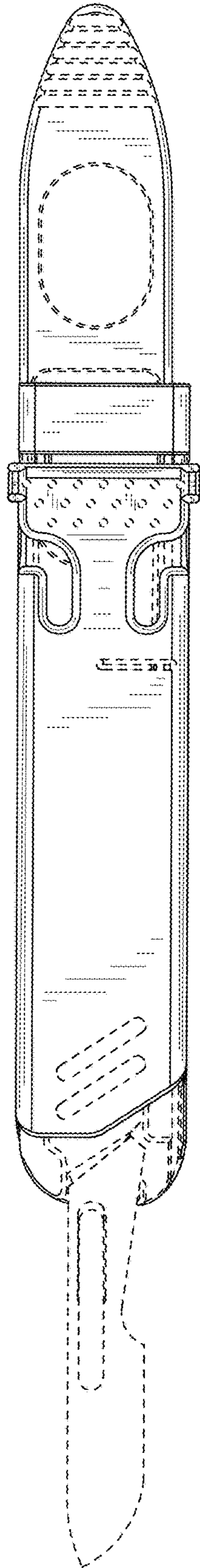


FIG. 4

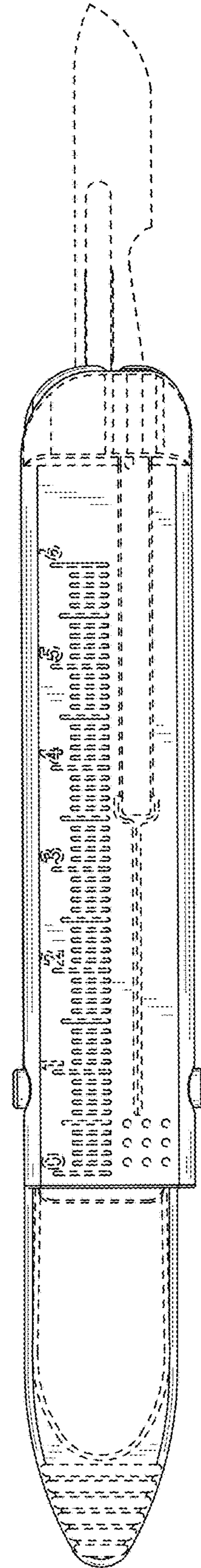


FIG. 5

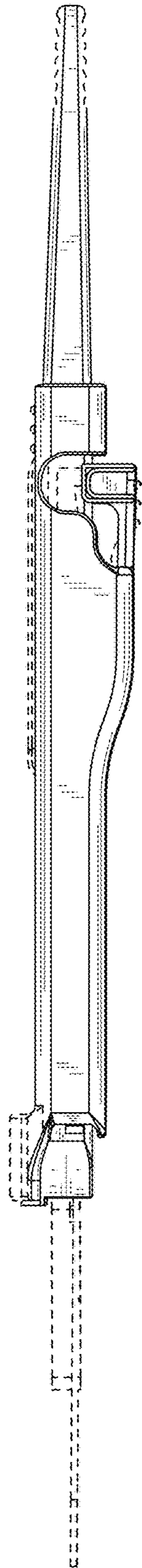


FIG. 6

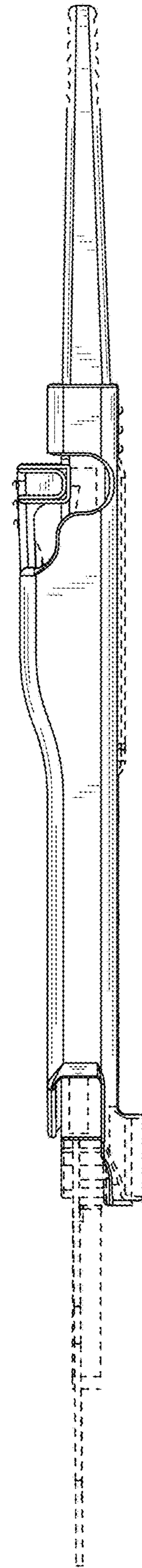


FIG. 7

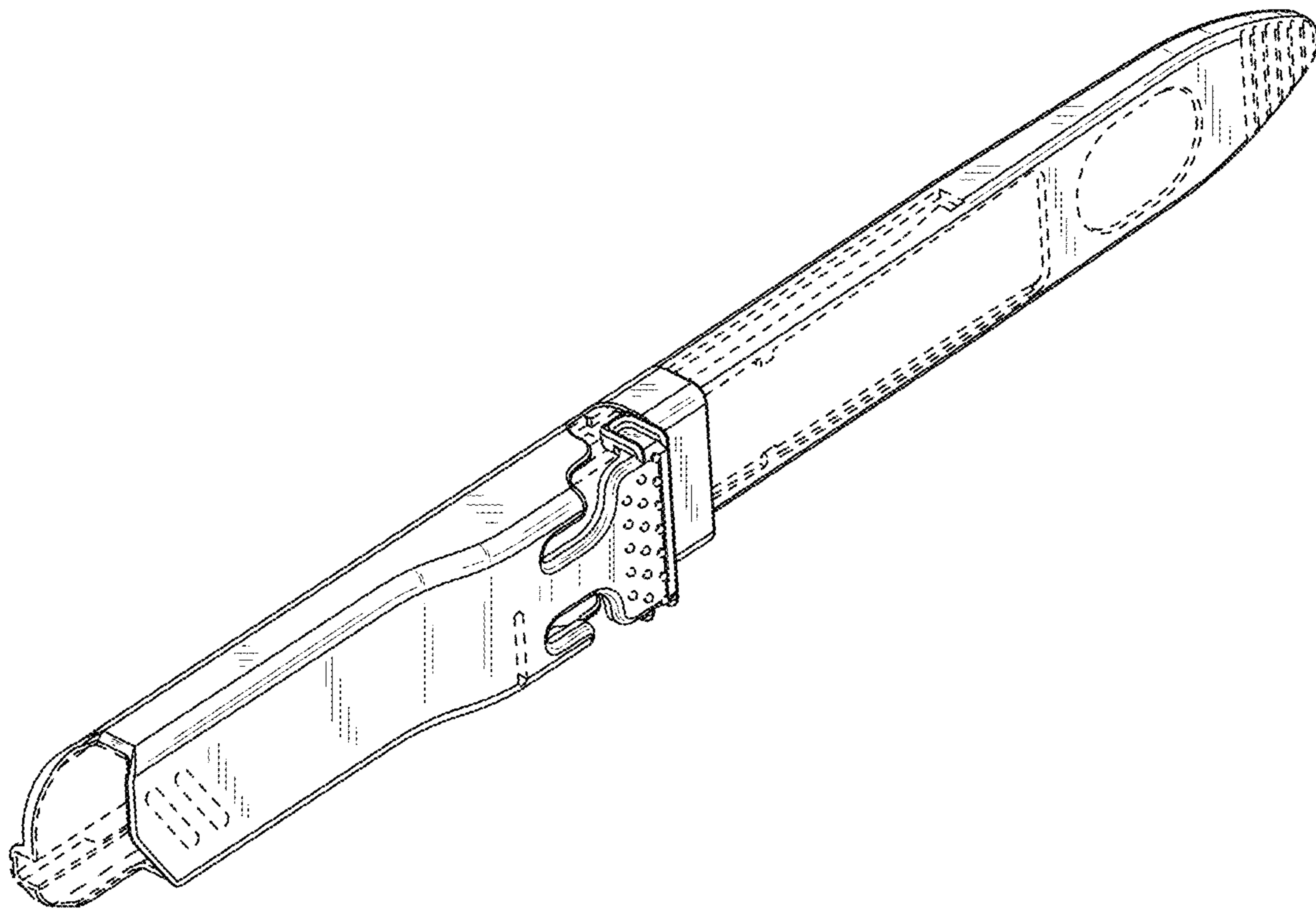


FIG. 8

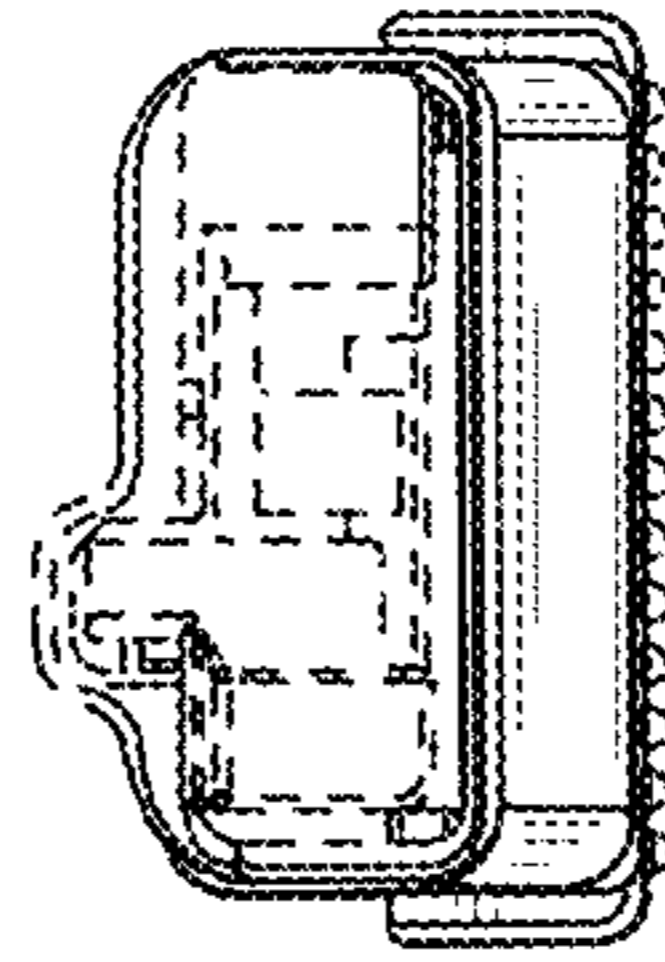


FIG. 9

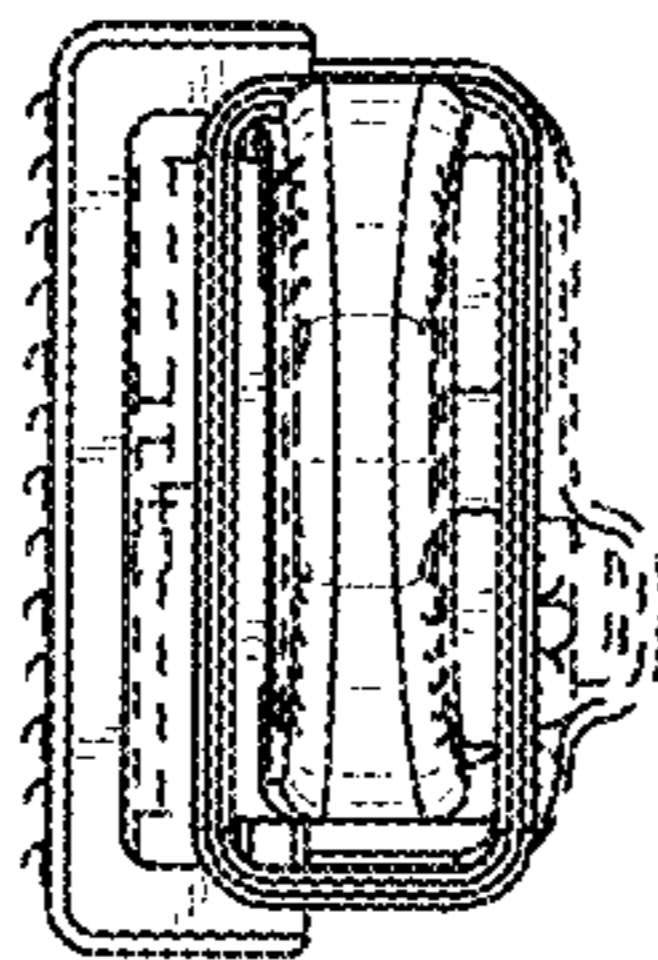


FIG. 10

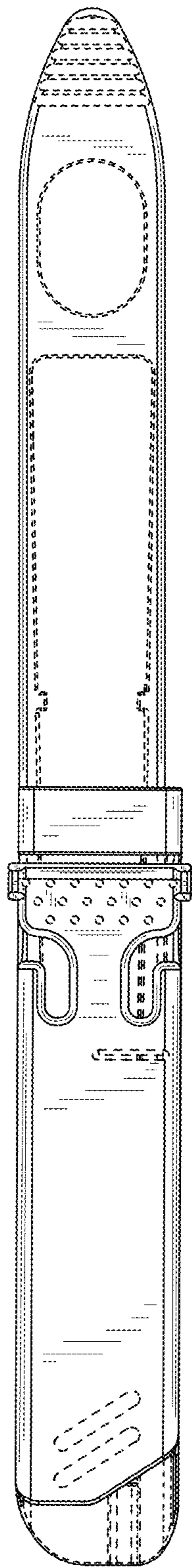


FIG. 11

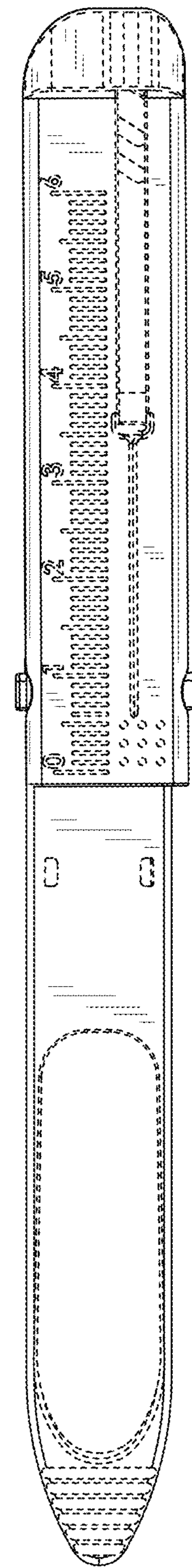


FIG. 12

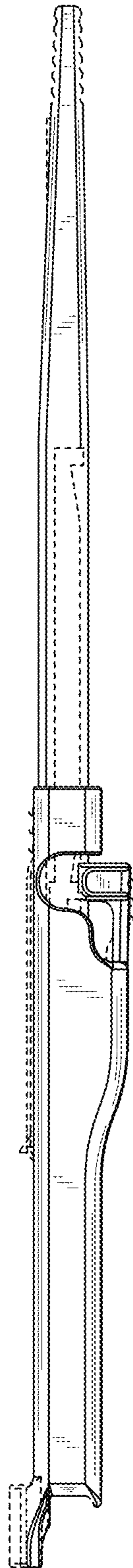


FIG. 13

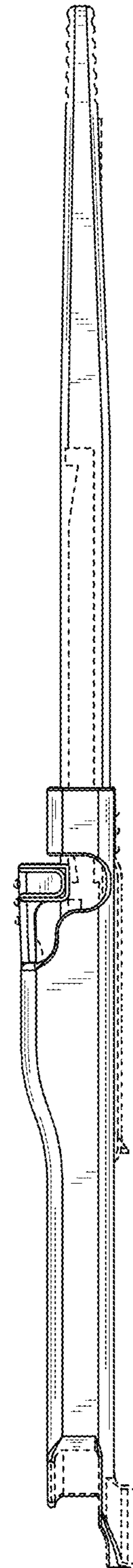


FIG. 14