



US00D800904S

(12) **United States Design Patent** (10) **Patent No.:** **US D800,904 S**
Leimbach et al. (45) **Date of Patent:** **** Oct. 24, 2017**

(54) **SURGICAL STAPLING INSTRUMENT**

(71) Applicant: **Ethicon Endo-Surgery, LLC**,
Guaynabo, PR (US)

(72) Inventors: **Richard L. Leimbach**, Cincinnati, OH (US); **Kevin D. Sackett**, Independence, KY (US); **Brett E. Swensgard**, West Chester, OH (US); **Tony C. Siebel**, Cincinnati, OH (US); **John V. Hunt**, Cincinnati, OH (US); **Shawn C. Snyder**, Greendale, IN (US)

(73) Assignee: **Ethicon Endo-Surgery, LLC**,
Guaynabo, PR (US)

(**) Term: **15 Years**

(21) Appl. No.: **29/557,422**

(22) Filed: **Mar. 9, 2016**

(51) **LOC (10) Cl.** **24-02**

(52) **U.S. Cl.**
USPC **D24/145**

(58) **Field of Classification Search**
USPC D24/145-147, 143

(Continued)

(56) **References Cited**

U.S. PATENT DOCUMENTS

D347,474 S * 5/1994 Olson D24/145
D354,564 S * 1/1995 Medema D24/145

(Continued)

Primary Examiner — Wan Laymon

(74) *Attorney, Agent, or Firm* — Frost Brown Todd LLC

(57) **CLAIM**

The ornamental design for a surgical stapling instrument, as shown and described.

DESCRIPTION

FIG. 1 is a top, front perspective view of a surgical stapling instrument, showing our new design;

FIG. 2 is a bottom, rear perspective view thereof;
 FIG. 3 is a left elevational view thereof;
 FIG. 4 is a right elevational view thereof;
 FIG. 5 is a front elevational view thereof;
 FIG. 6 is a back elevational view thereof;
 FIG. 7 is a top plan view thereof;
 FIG. 8 is a bottom plan view thereof;
 FIG. 9 is a top, front perspective view of a handle assembly portion thereof;
 FIG. 10 is a bottom, front perspective view of the handle assembly portion thereof;
 FIG. 11 is a top, rear perspective view of the handle assembly portion thereof;
 FIG. 12 is a bottom, rear perspective view of the handle assembly portion thereof;
 FIG. 13 is a left elevational view of the handle assembly portion thereof;
 FIG. 14 is a right elevational view of the handle assembly portion thereof;
 FIG. 15 is a front elevational view of the handle assembly portion thereof;
 FIG. 16 is a rear elevational view of the handle assembly portion thereof;
 FIG. 17 is a top plan view of the handle assembly portion thereof;
 FIG. 18 is a bottom plan view of the handle assembly portion thereof;
 FIG. 19 is a top, front perspective view of a first shaft assembly portion thereof;
 FIG. 20 is a bottom, rear perspective view of the first shaft assembly portion thereof;
 FIG. 21 is a left elevational view of the first shaft assembly portion thereof;
 FIG. 22 is a right elevational view of the first shaft assembly portion thereof;
 FIG. 23 is a front elevational view of the first shaft assembly portion thereof;
 FIG. 24 is a rear elevational view of the first shaft assembly portion thereof;
 FIG. 25 is a top plan view of the first shaft assembly portion thereof;
 FIG. 26 is a bottom plan view of the first shaft assembly portion thereof;

(Continued)

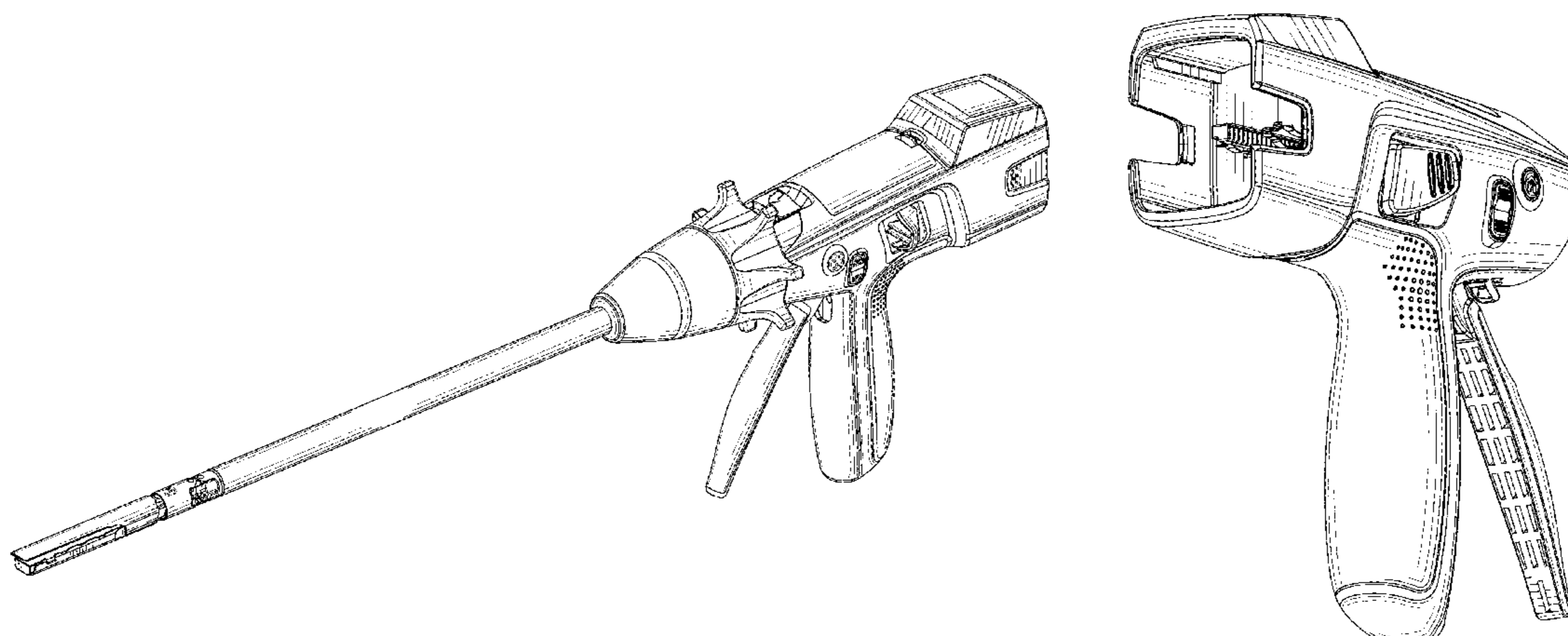


FIG. 27 is a top, front perspective view of a second shaft assembly portion thereof;
 FIG. 28 is a bottom, rear perspective view of the second shaft assembly portion thereof;
 FIG. 29 is a left elevational view of the second shaft assembly portion thereof;
 FIG. 30 is a right elevational view of the second shaft assembly portion thereof;
 FIG. 31 is a front elevational view of the second shaft assembly portion thereof;
 FIG. 32 is a rear elevational view of the second shaft assembly portion thereof;
 FIG. 33 is a top plan view of the second shaft assembly portion thereof;
 FIG. 34 is a bottom plan view of the second shaft assembly portion thereof;
 FIG. 35 is a top, front perspective view of a battery pack portion thereof;
 FIG. 36 is a top, rear perspective view of the battery pack portion thereof;
 FIG. 37 is a left elevational view of the battery pack portion thereof;
 FIG. 38 is a right elevational view of the battery pack portion thereof;
 FIG. 39 is a front elevational view of the battery pack portion thereof;
 FIG. 40 is a rear elevational view of the battery pack portion thereof;
 FIG. 41 is a top plan view of the battery pack portion thereof; and,

FIG. 42 is a bottom plan view of the battery pack portion thereof.

1 Claim, 42 Drawing Sheets

(58) **Field of Classification Search**

CPC A61B 17/115; A61B 17/072; A61B 17/07207; A61B 17/068; A61B 17/064; A61B 17/0469; A61B 2017/00017
 See application file for complete search history.

(56) **References Cited**

U.S. PATENT DOCUMENTS

6,817,508 B1 * 11/2004 Racenet A61B 17/072
 227/175.2
 7,143,925 B2 * 12/2006 Shelton, IV A61B 17/07207
 227/175.1
 D650,074 S * 12/2011 Hunt D24/133
 2014/0263562 A1 * 9/2014 Patel A61B 17/07207
 227/178.1
 2015/0272557 A1 * 10/2015 Overmyer G05B 19/05
 606/1
 2015/0272574 A1 * 10/2015 Leimbach A61B 17/07207
 713/323
 2015/0297229 A1 * 10/2015 Schellin A61B 17/068
 227/177.1
 2016/0066910 A1 * 3/2016 Baber A61B 17/07207
 227/180.1
 2016/0066912 A1 * 3/2016 Baber A61B 17/07207
 307/64
 2016/0066916 A1 * 3/2016 Overmyer A61B 17/07207
 227/176.1

* cited by examiner

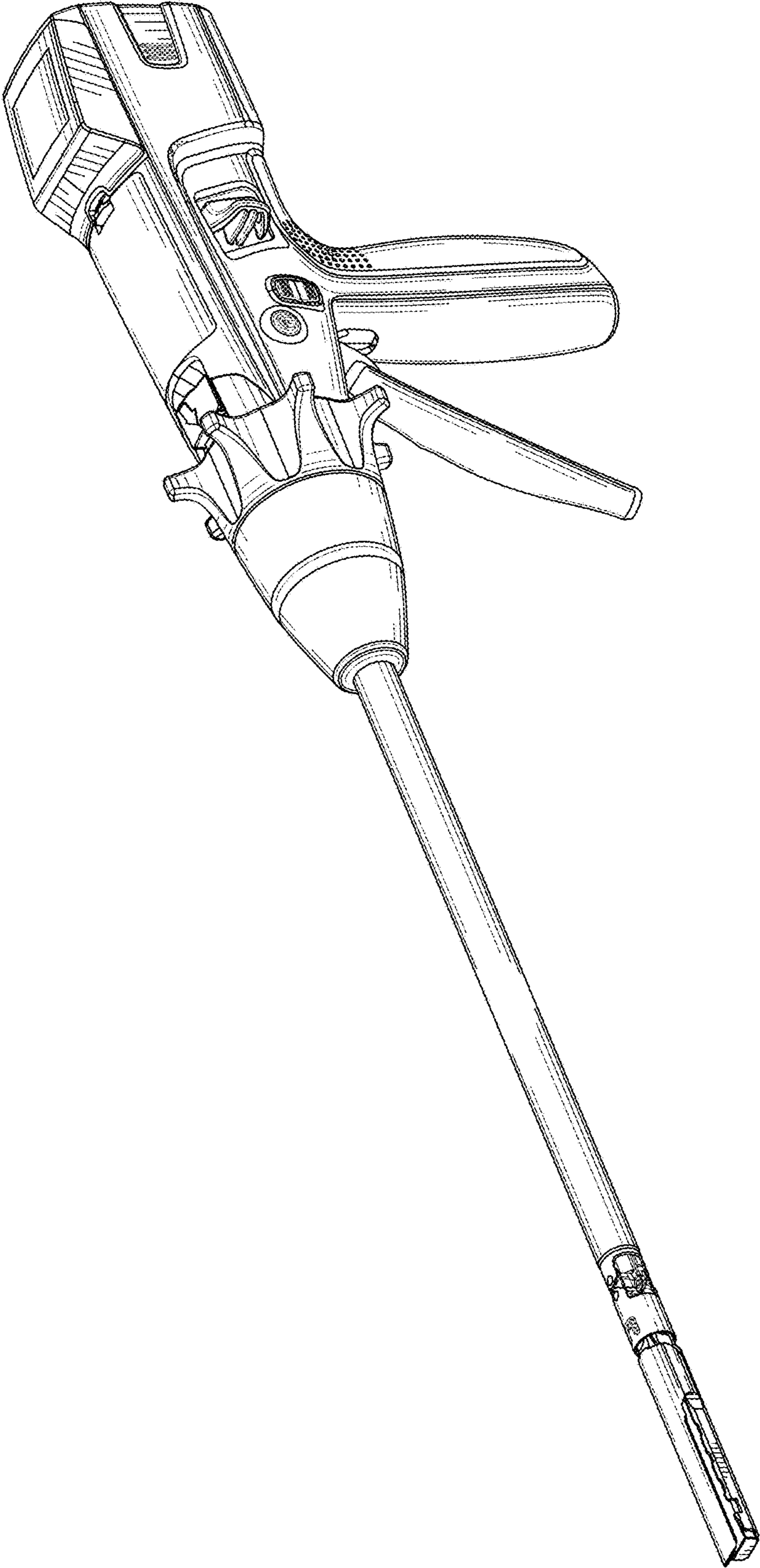


Fig. 1

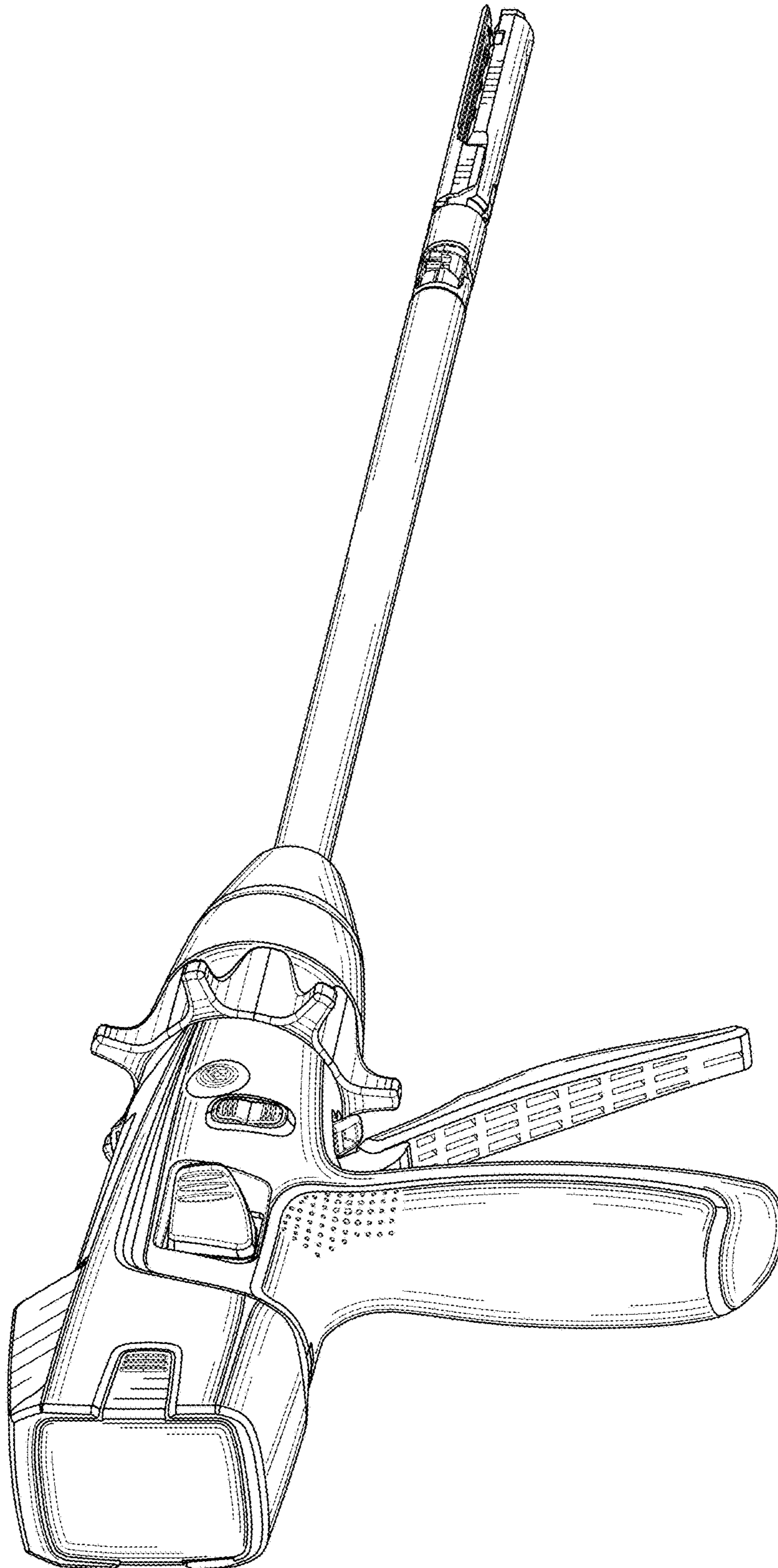


Fig. 2

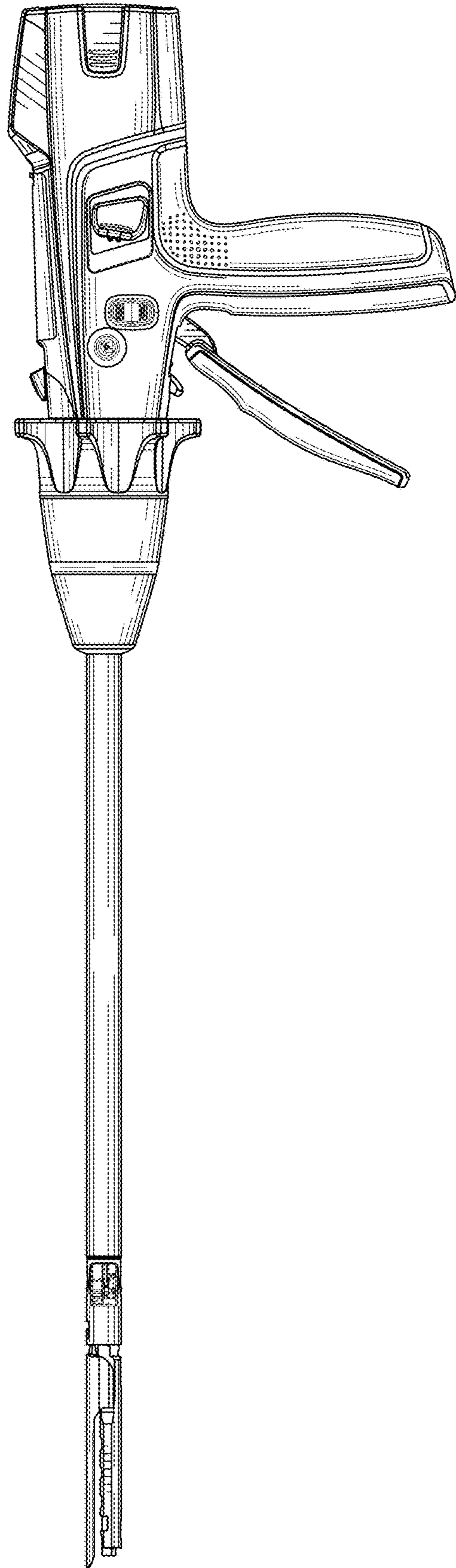


Fig. 3

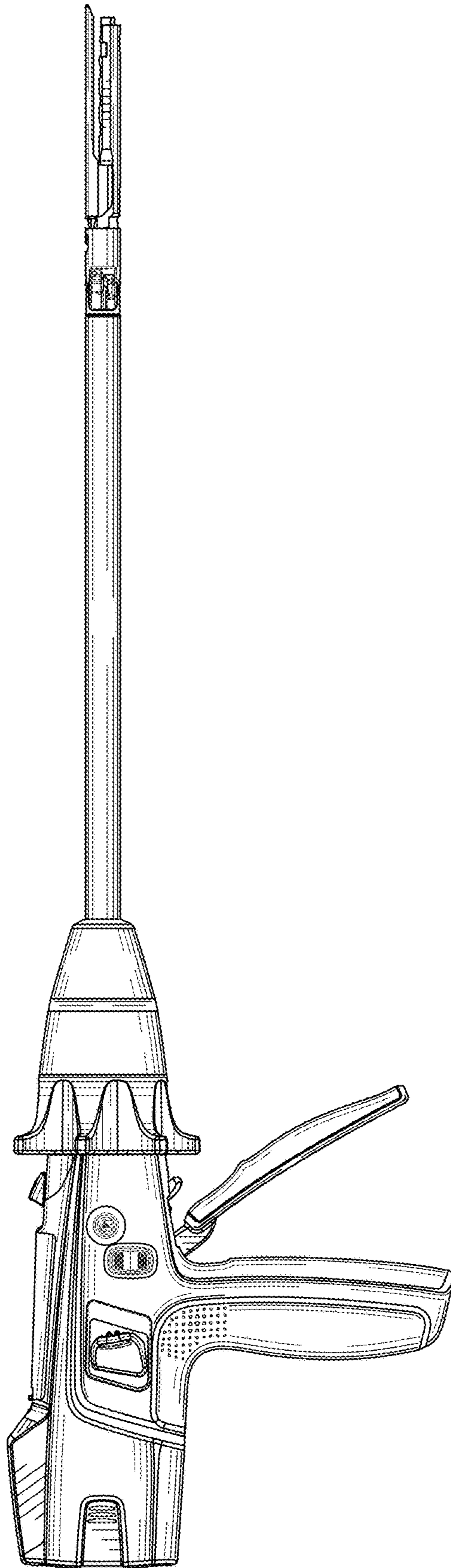


Fig. 4

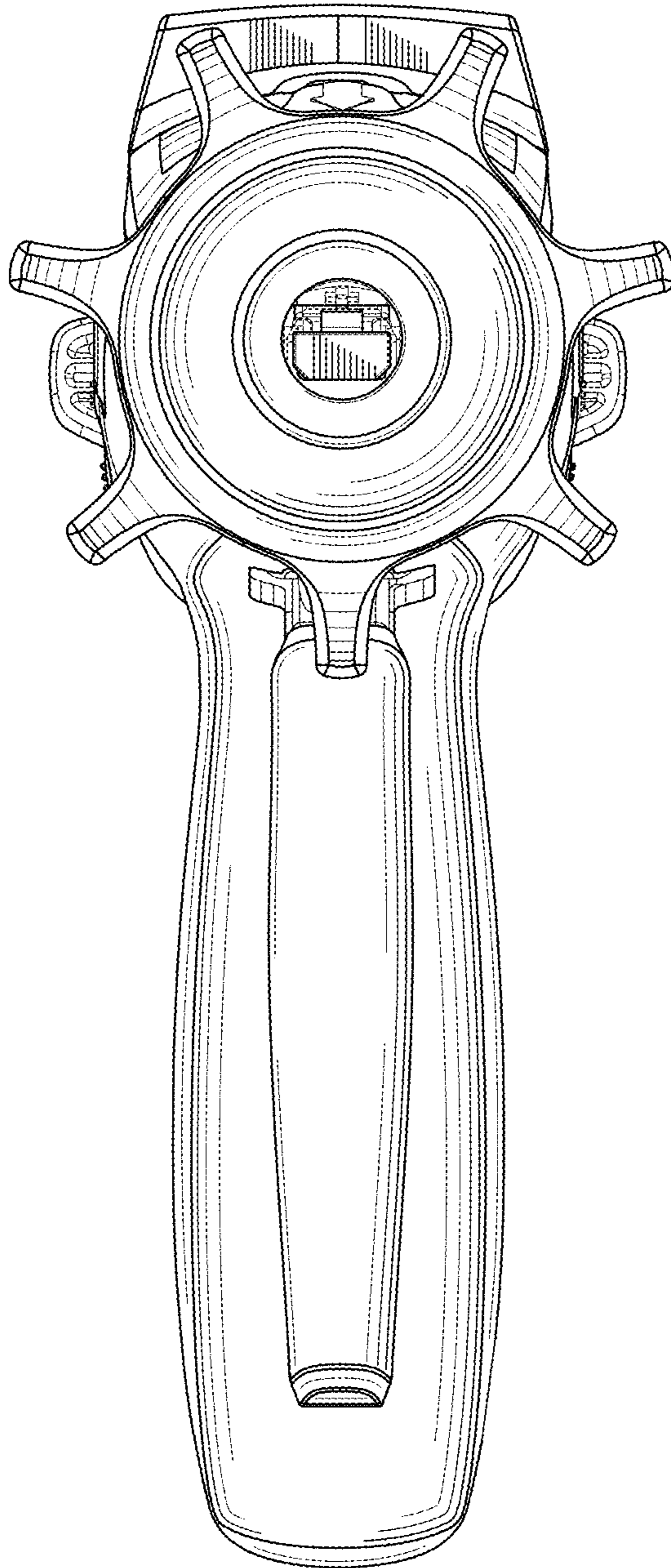


Fig.5

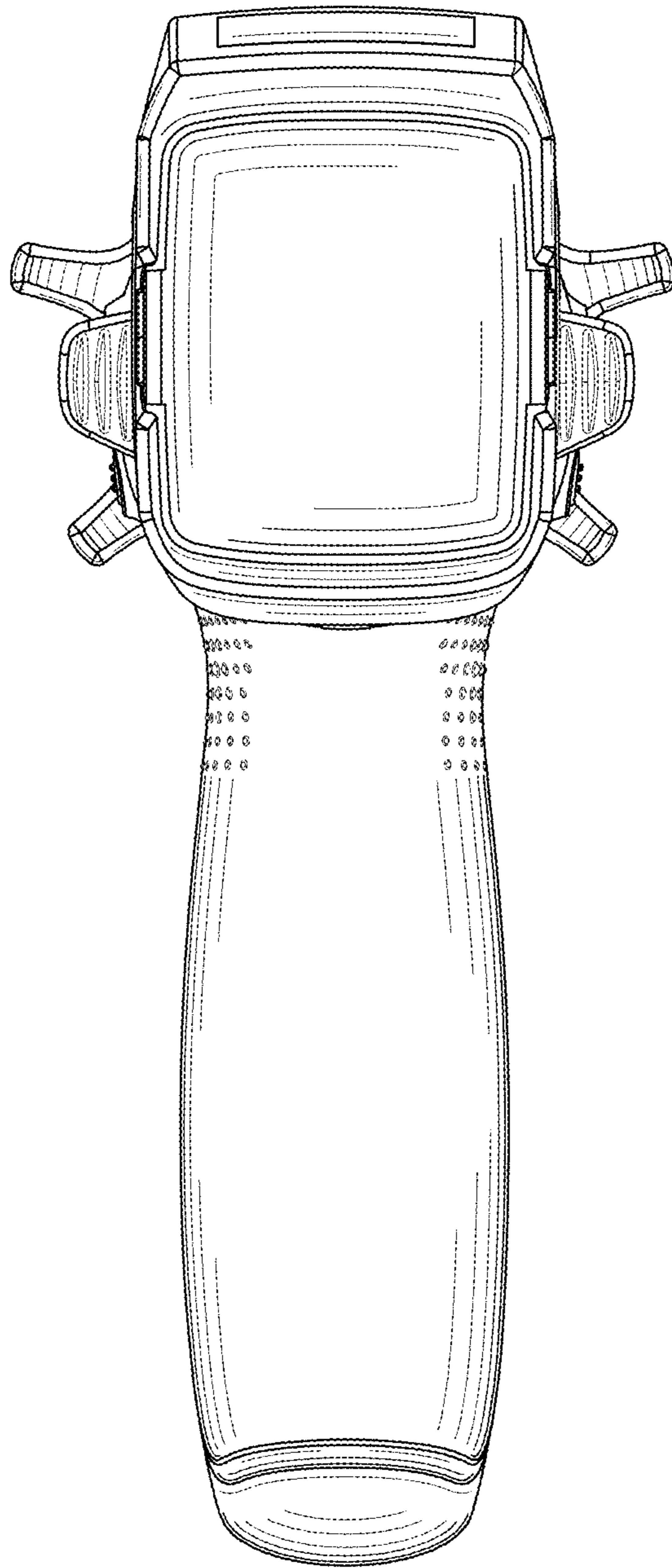


Fig. 6

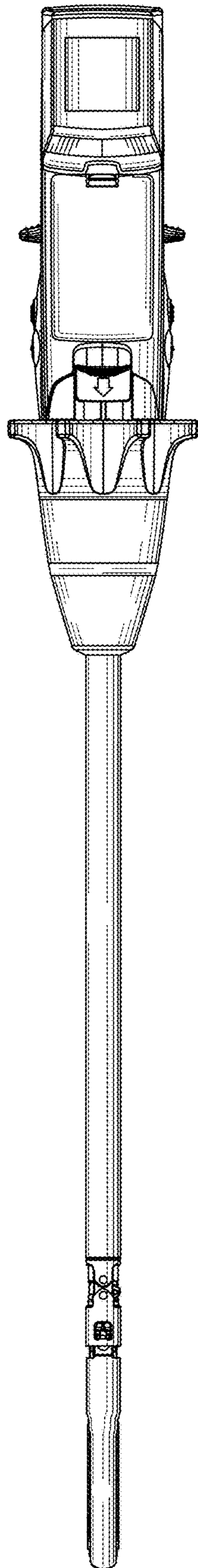


Fig. 7

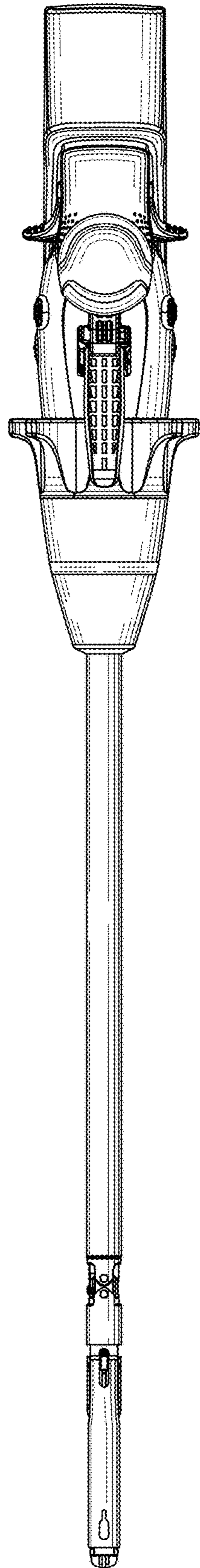


Fig. 8

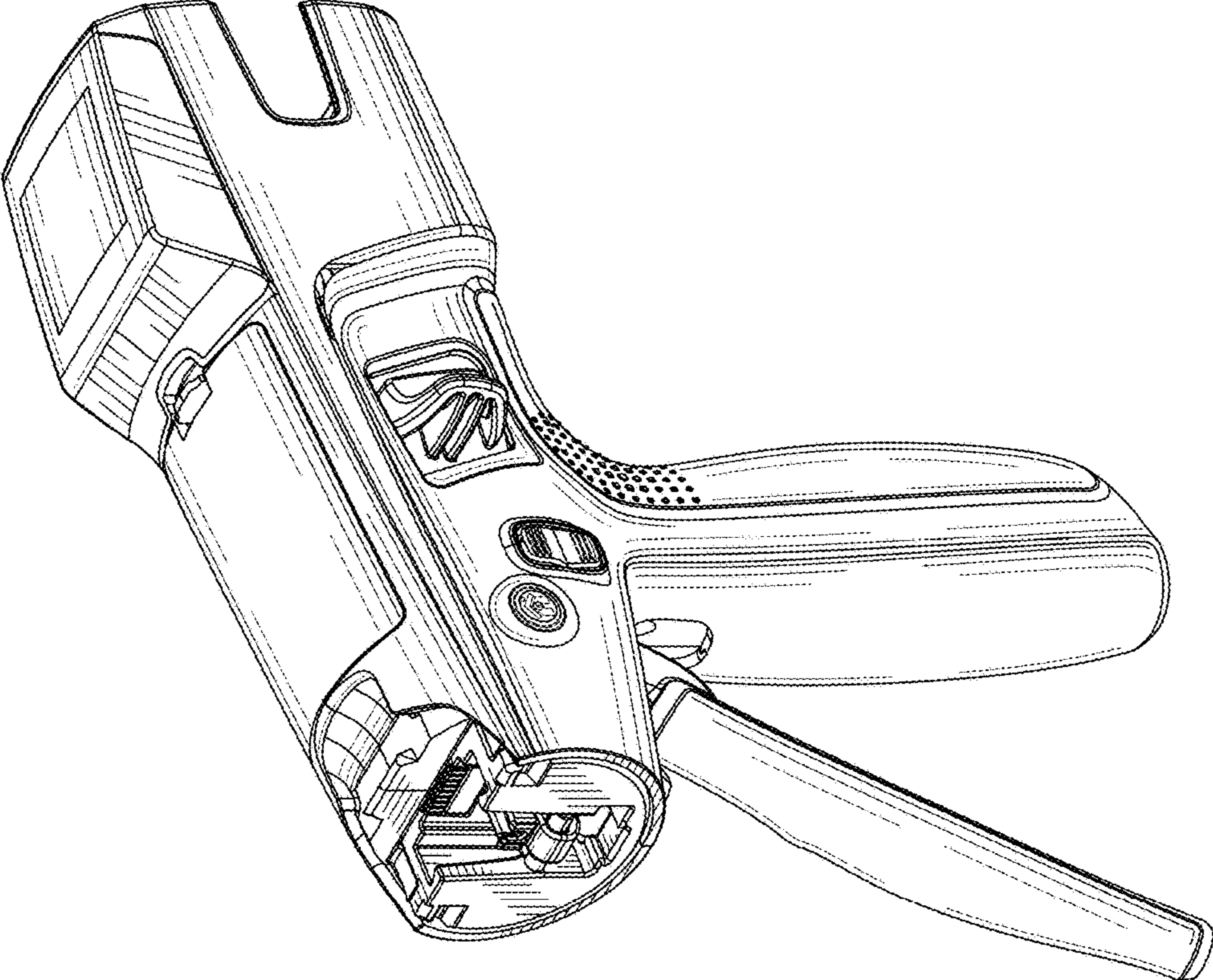


Fig. 9

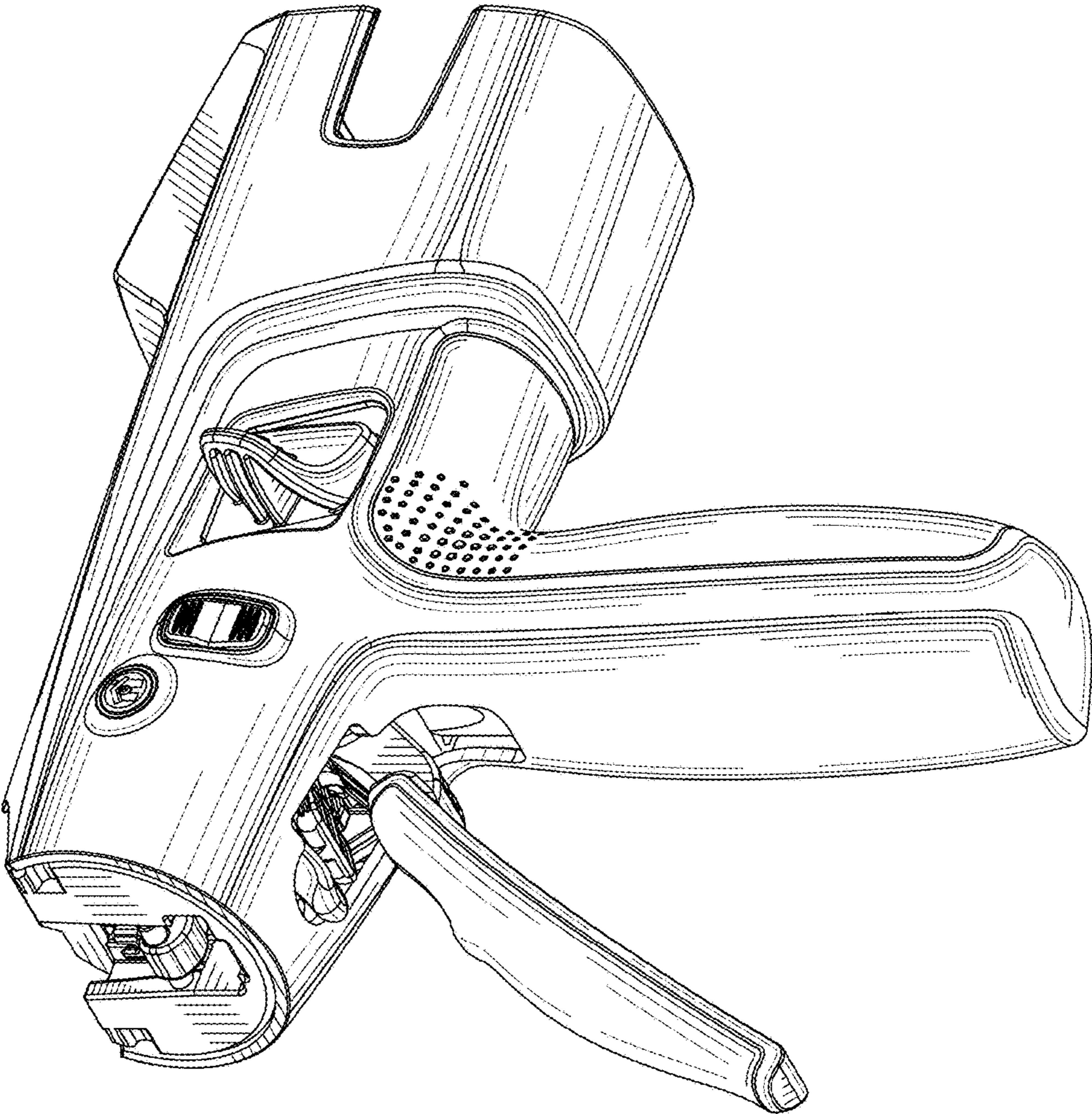


Fig. 10

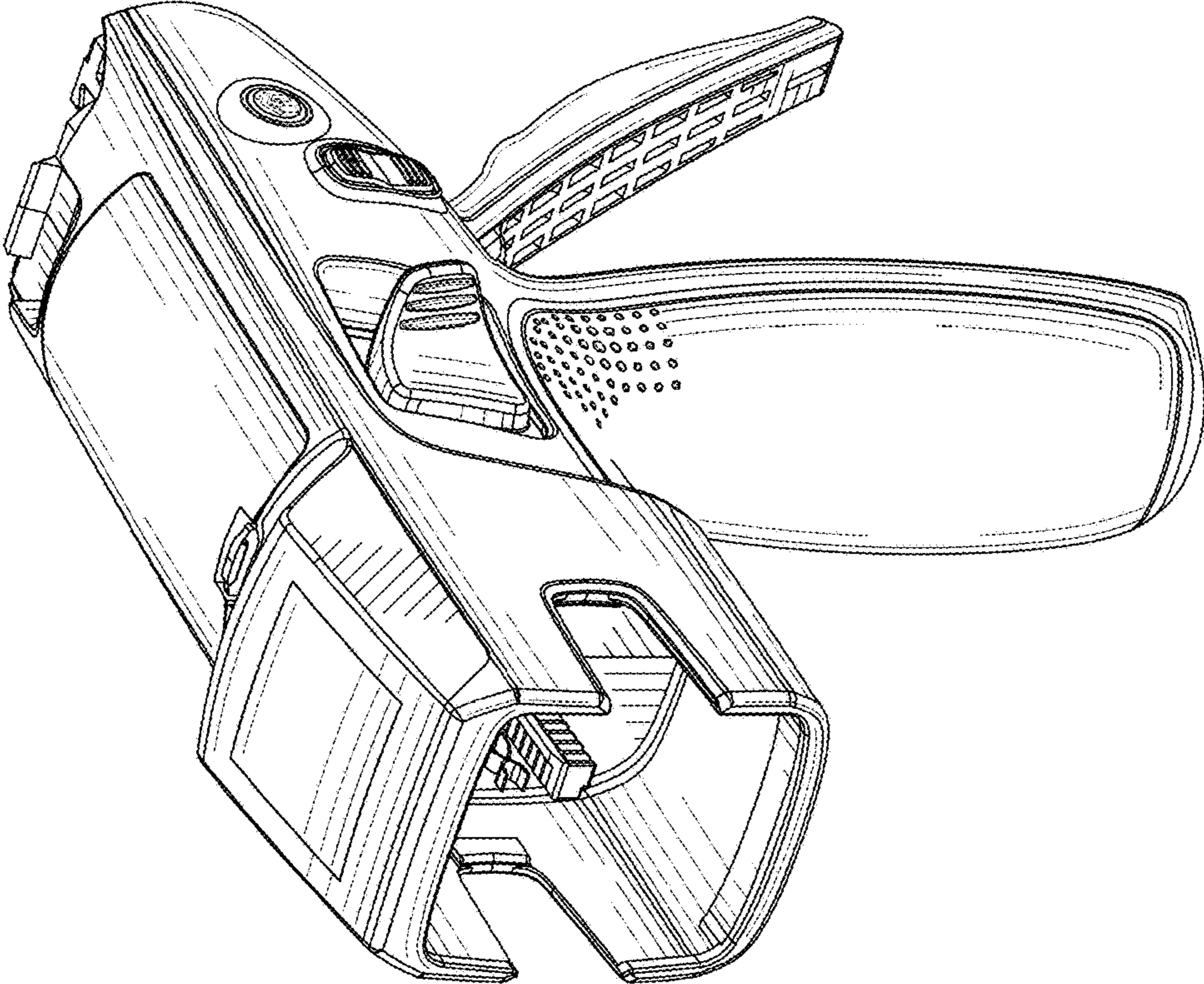


Fig.11

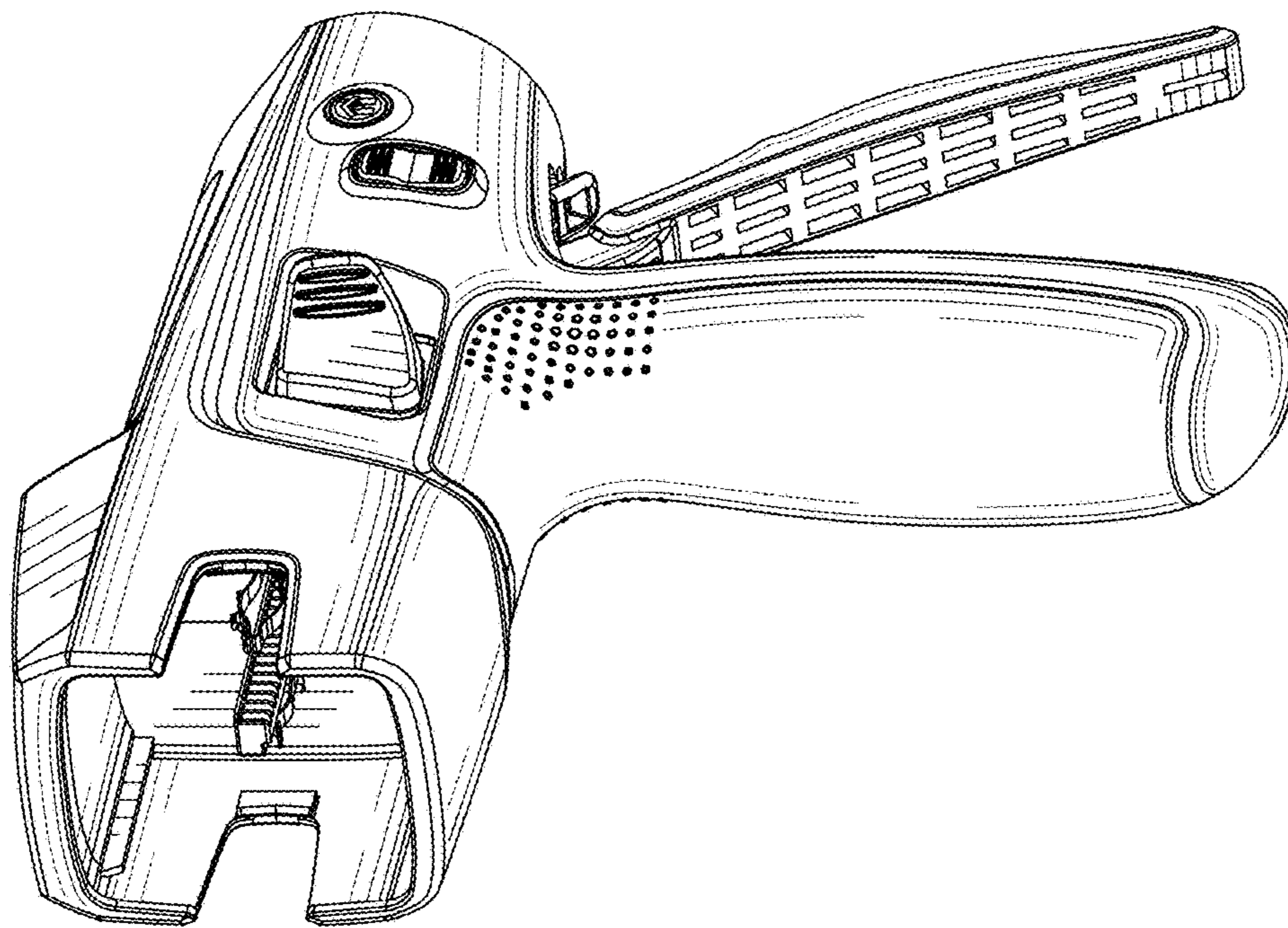


Fig.12

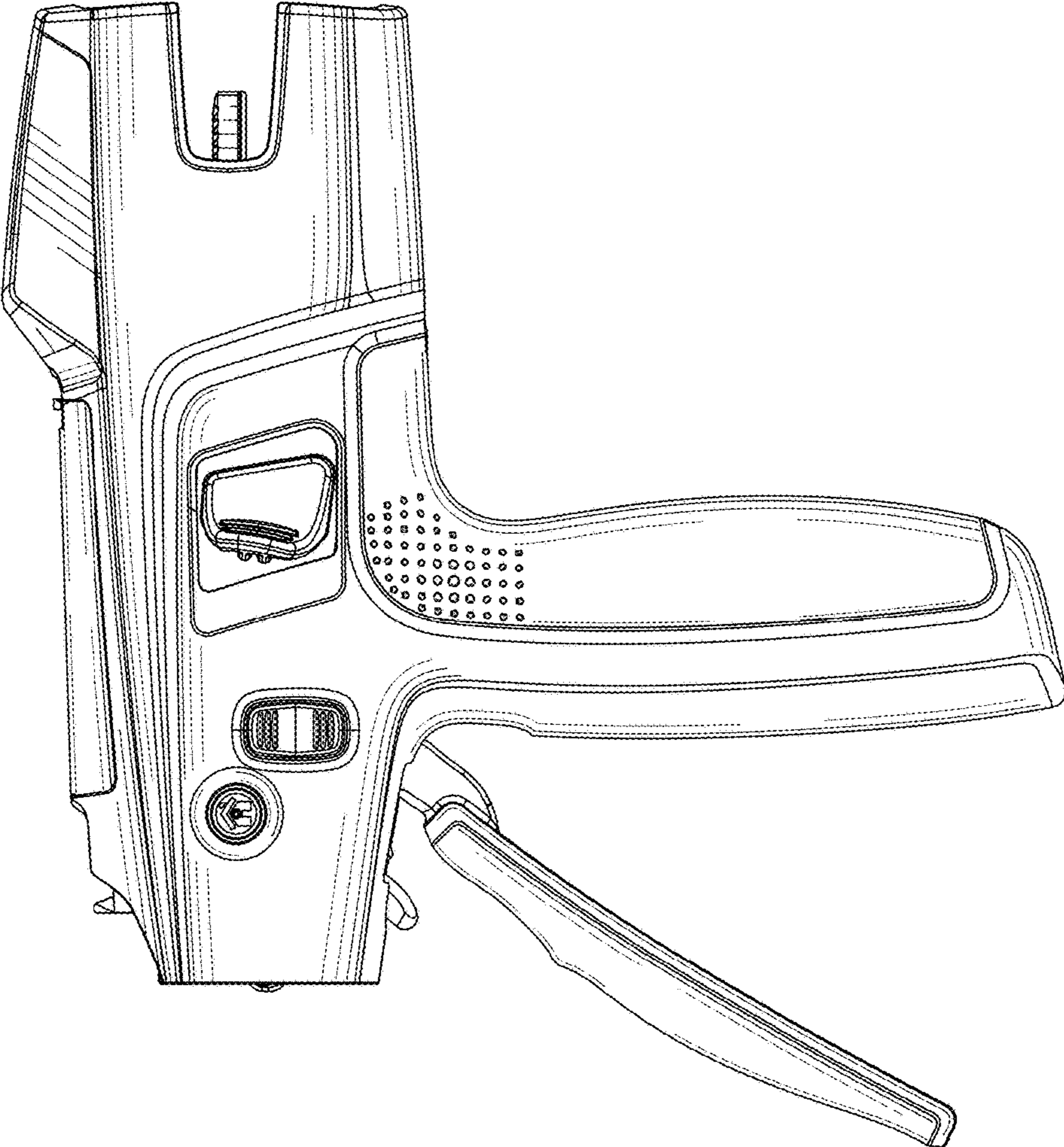


Fig. 13

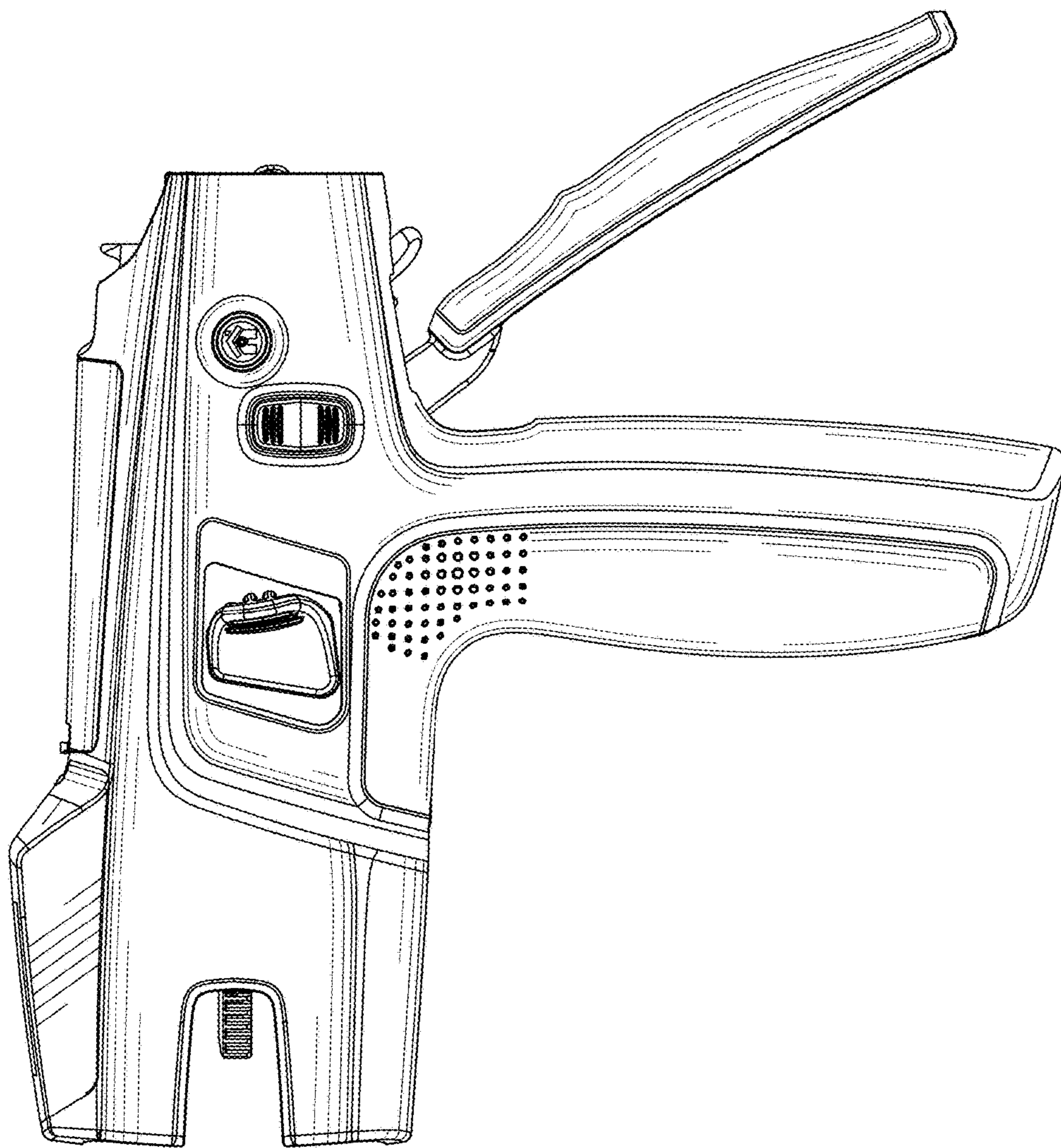


Fig. 14

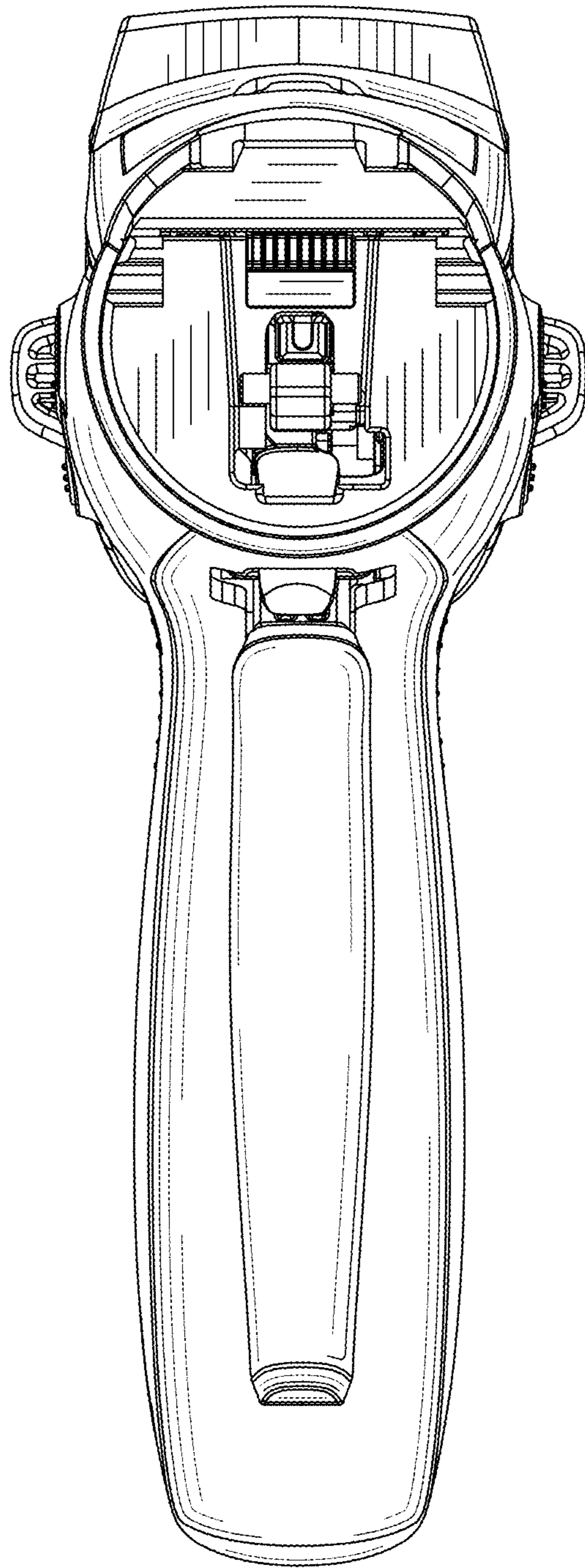


Fig. 15

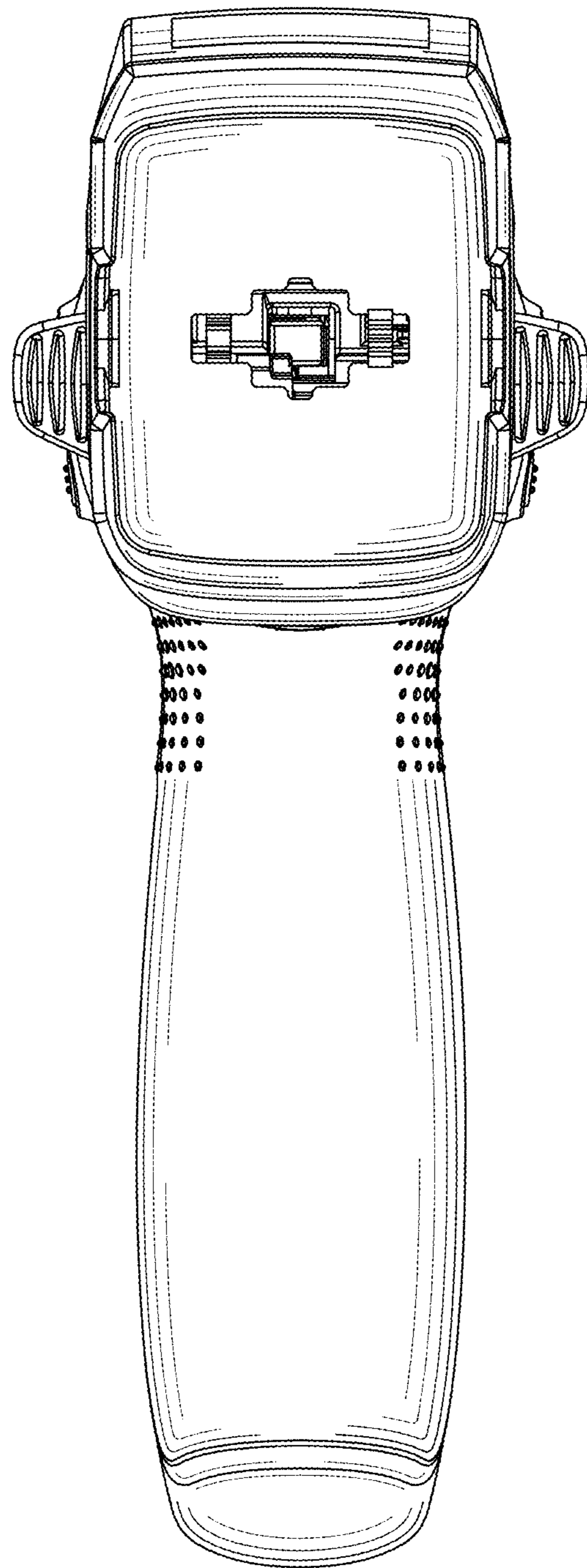


Fig. 16

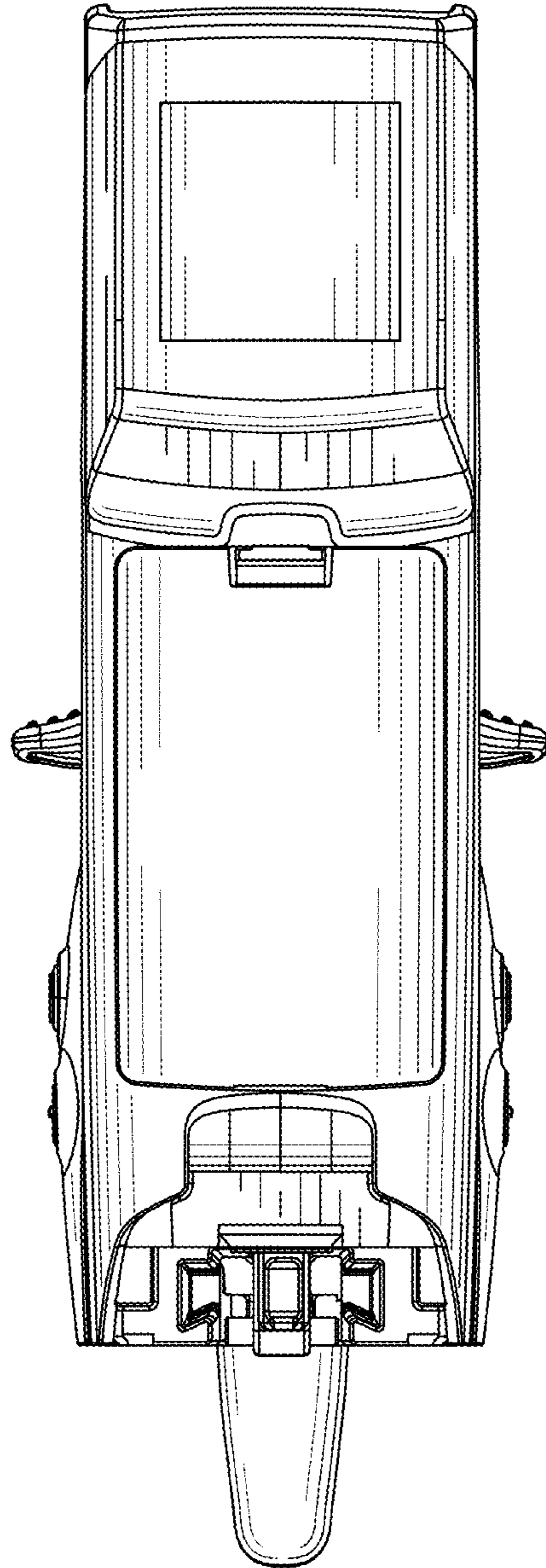


Fig.17

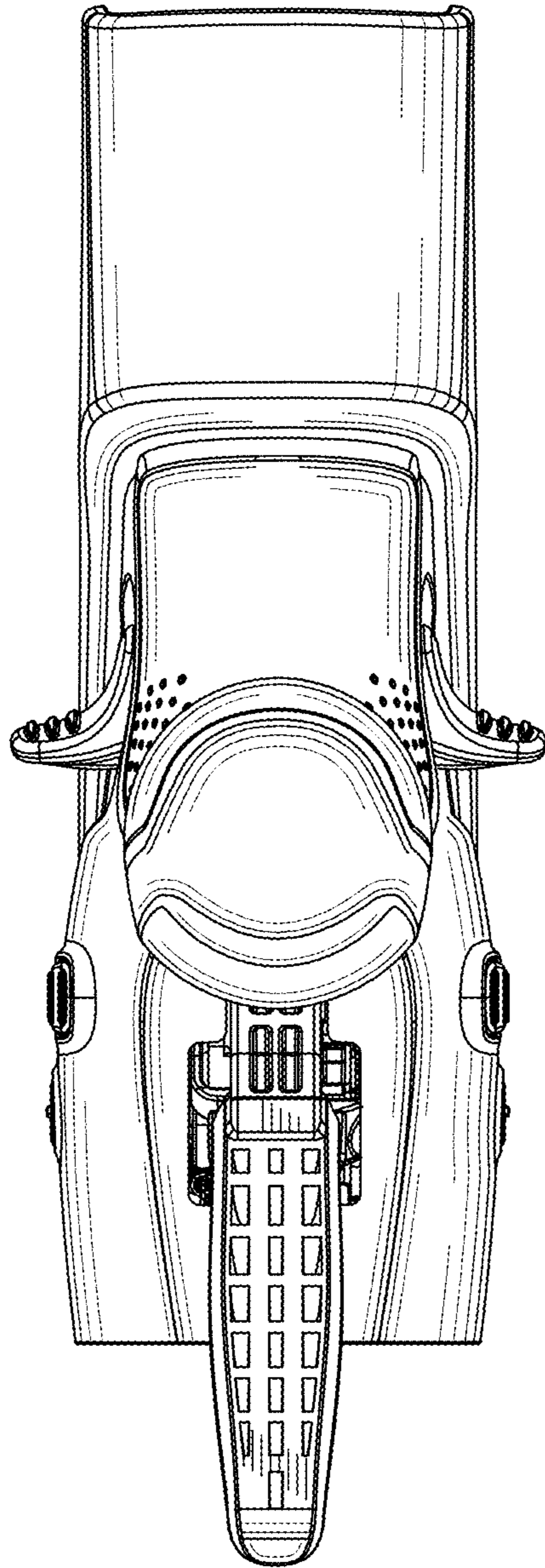


Fig. 18

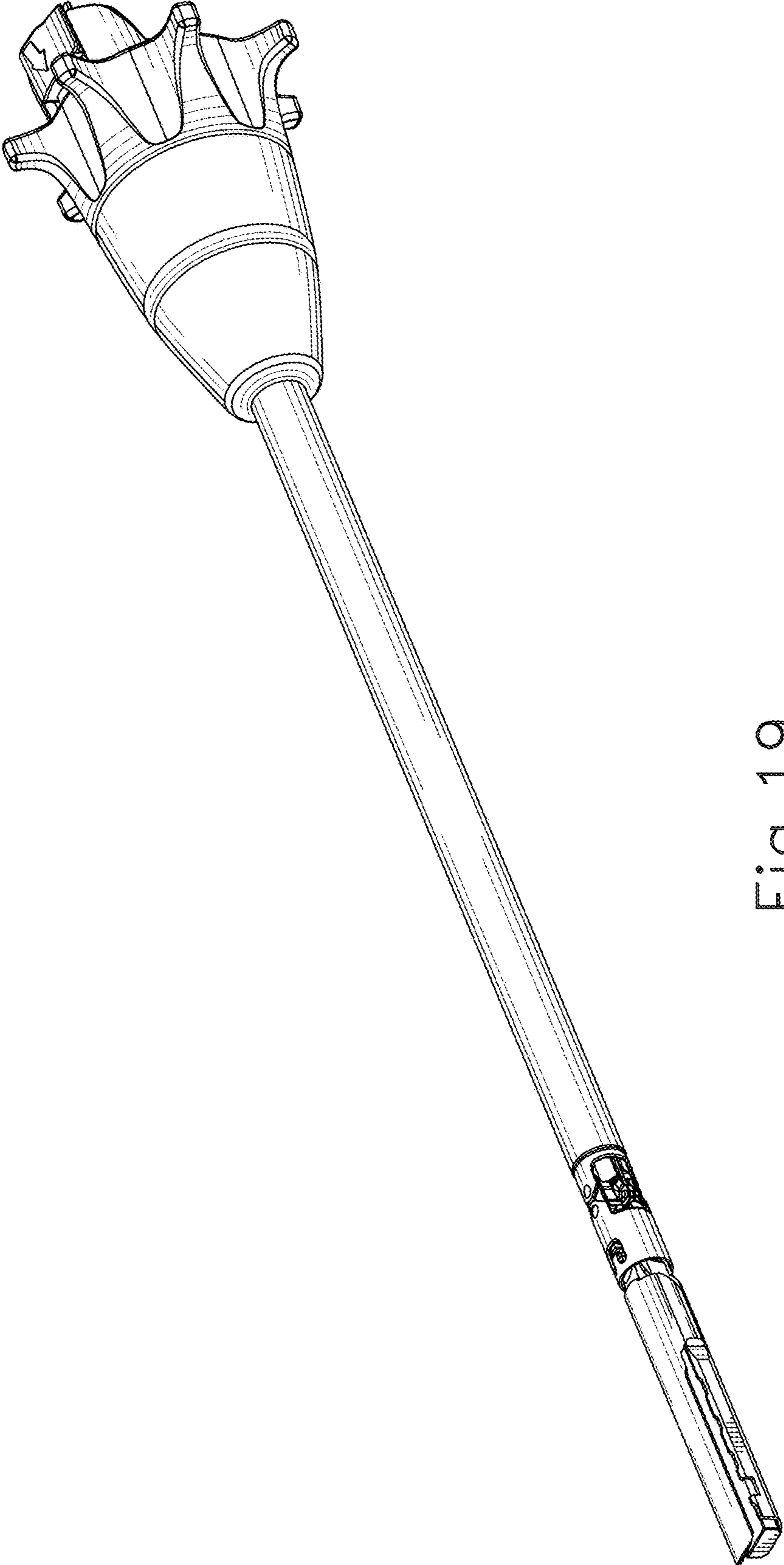


Fig. 19

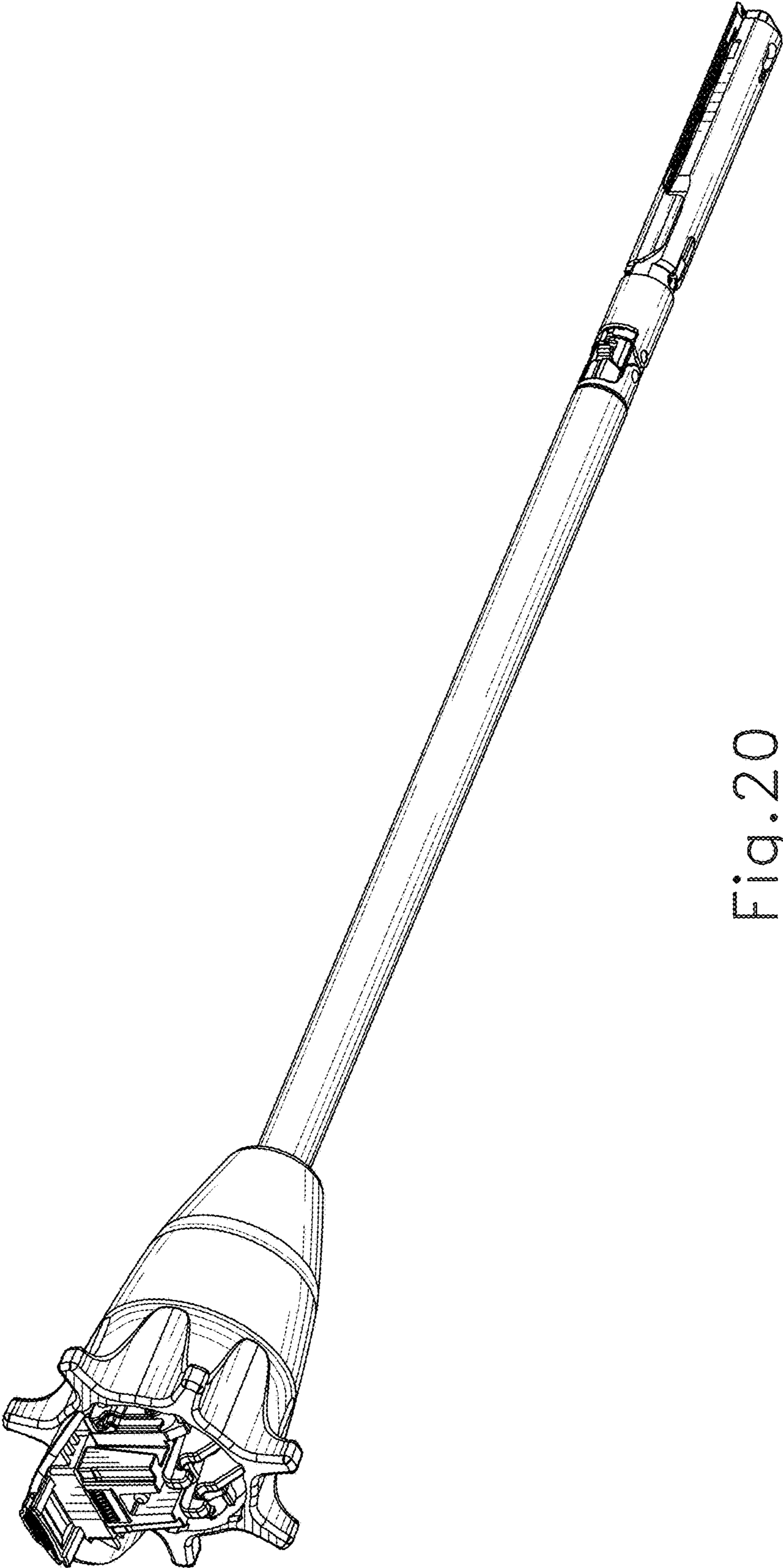


Fig. 20

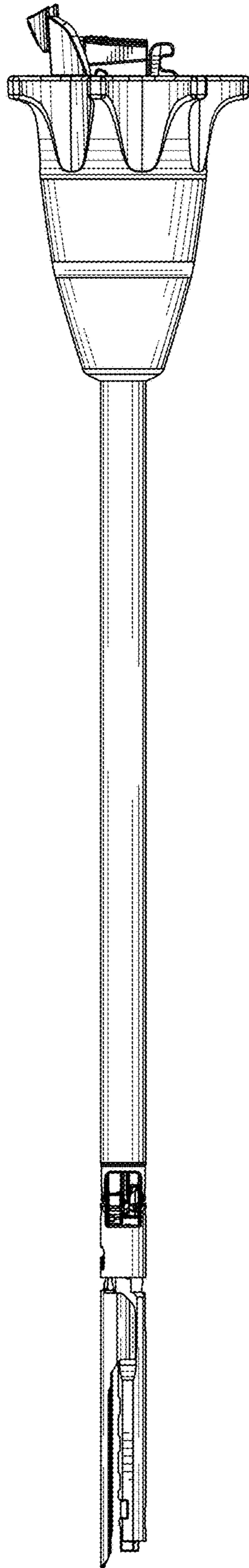


Fig. 21

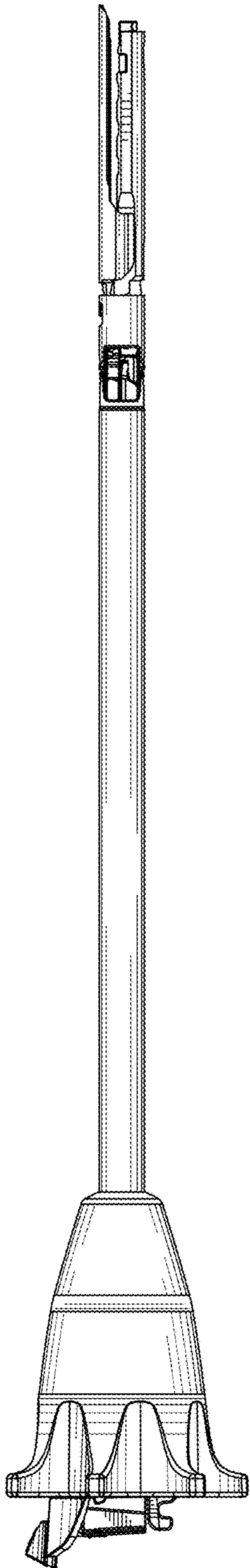


Fig. 22

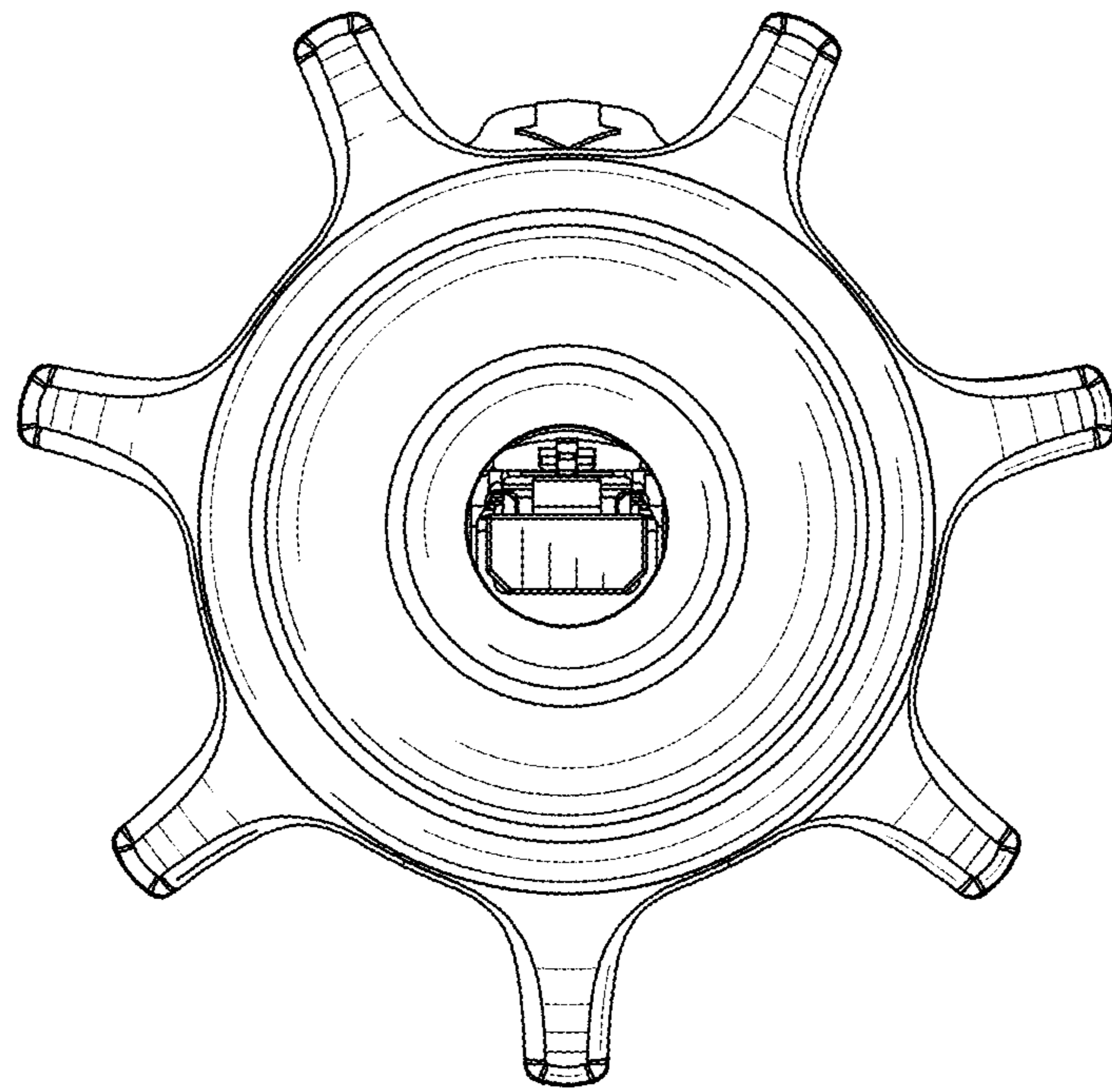


Fig.23

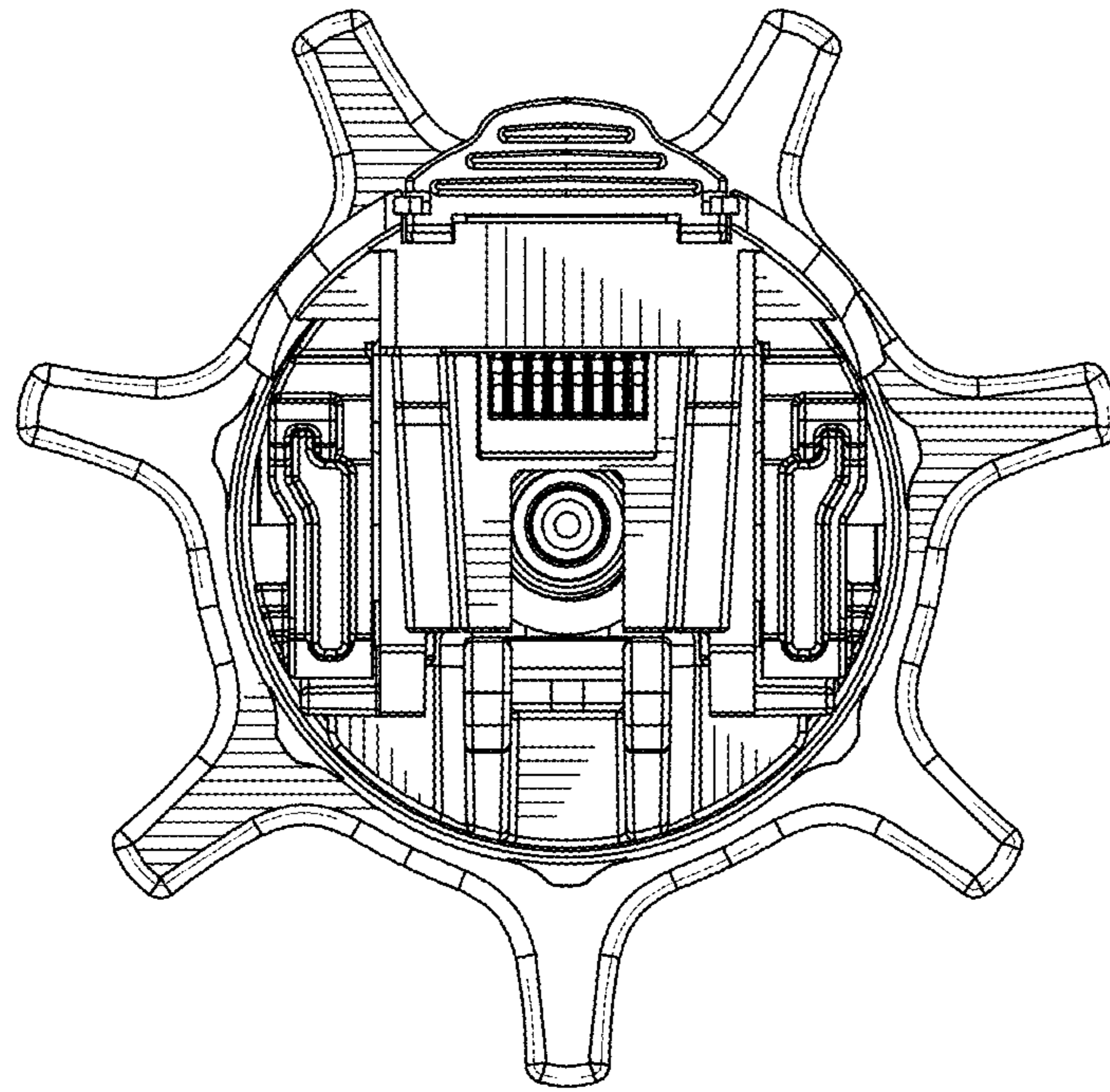


Fig.24

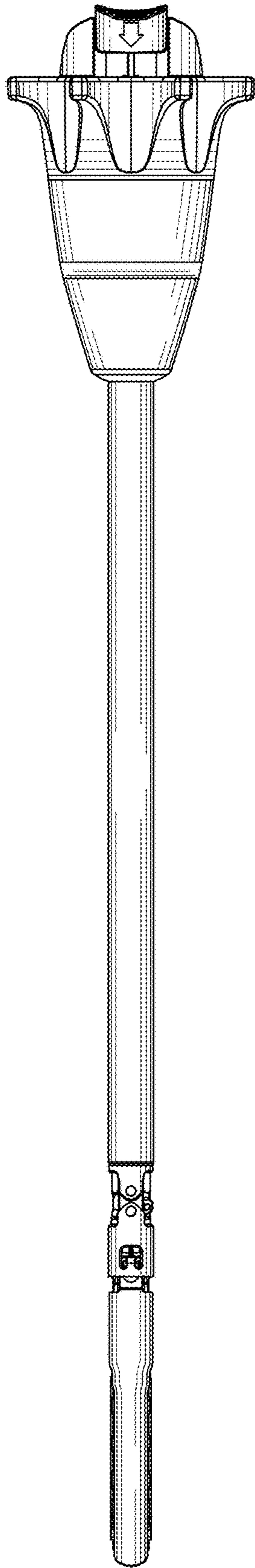


Fig. 25

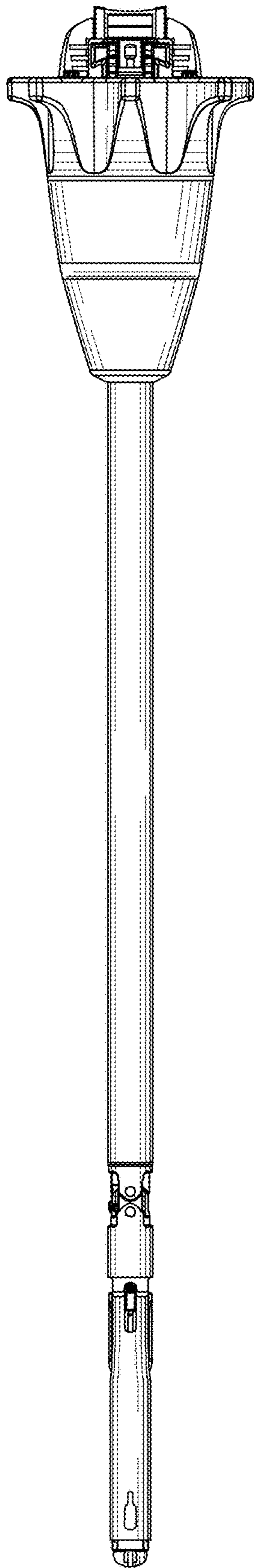


Fig. 26



Fig. 27

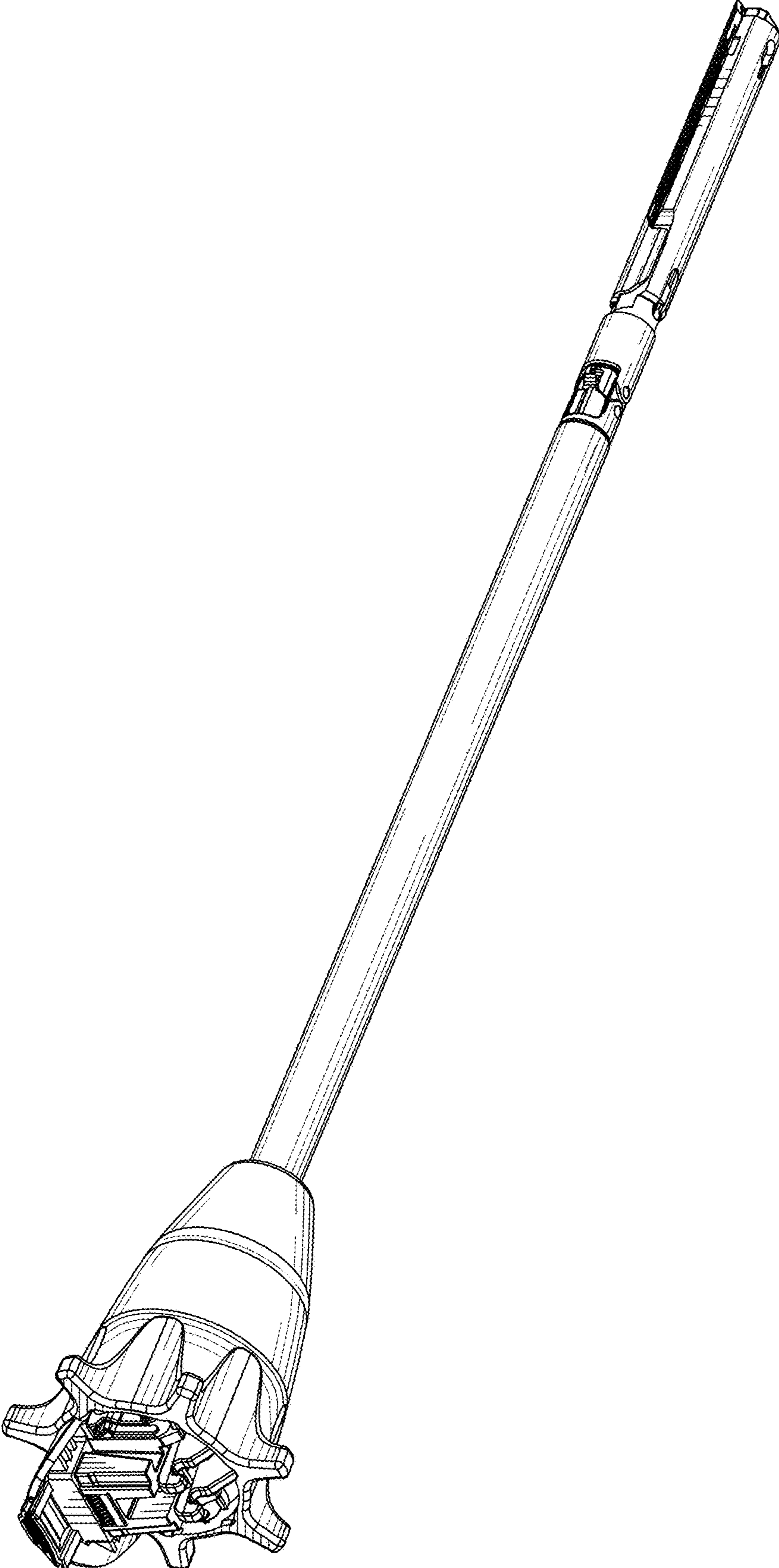


Fig. 28

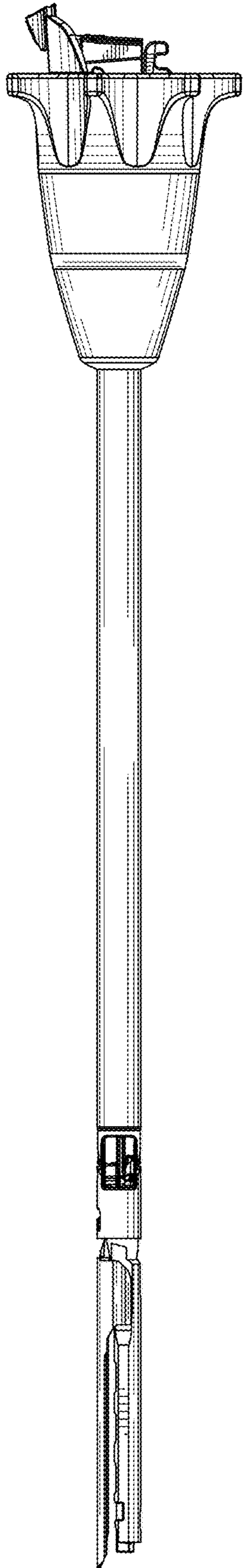


Fig. 29

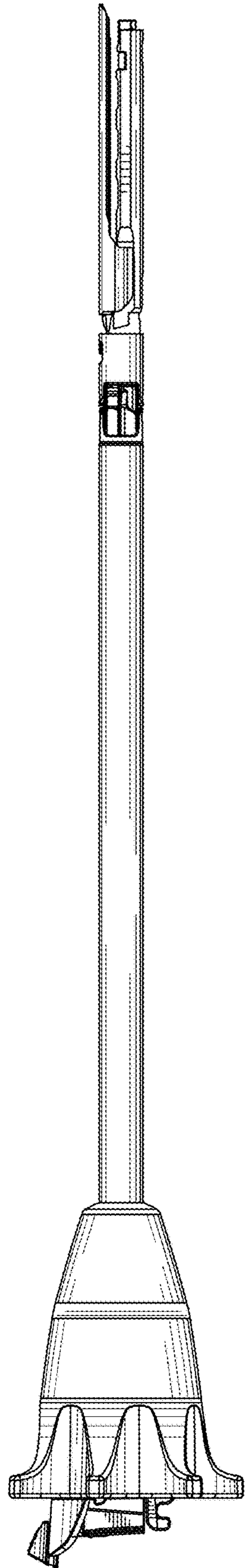


Fig. 30

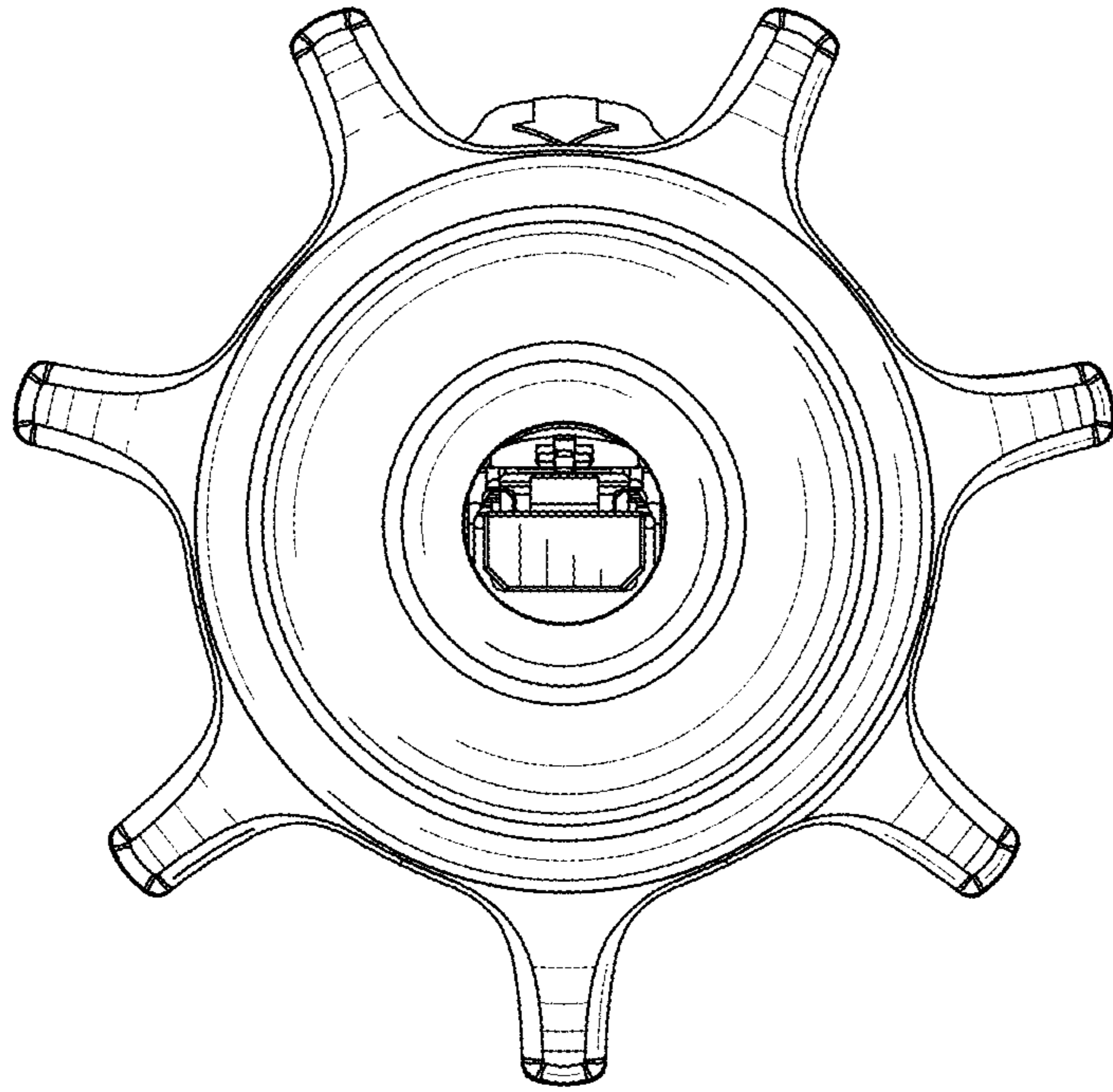


Fig.31

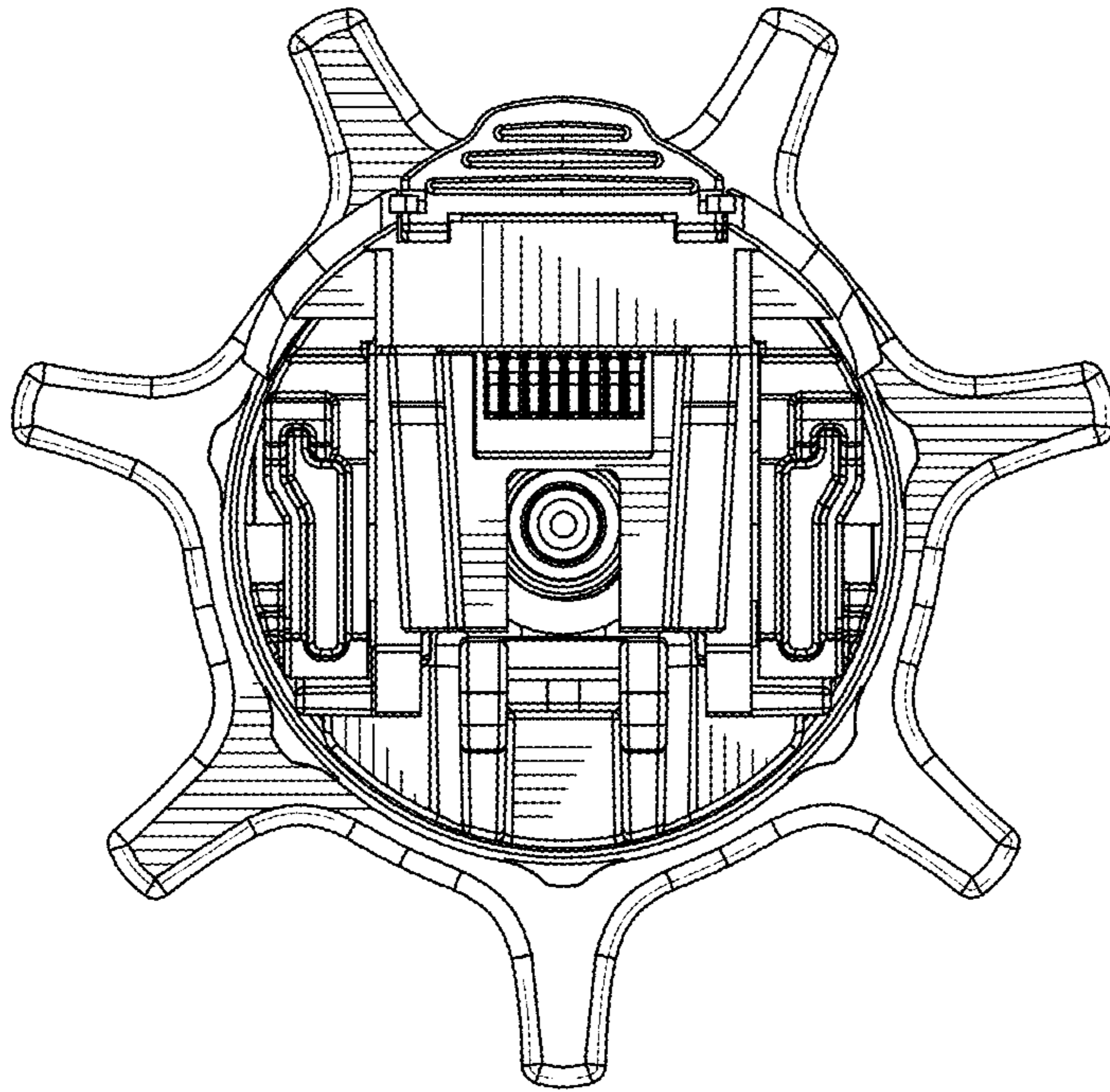


Fig.32

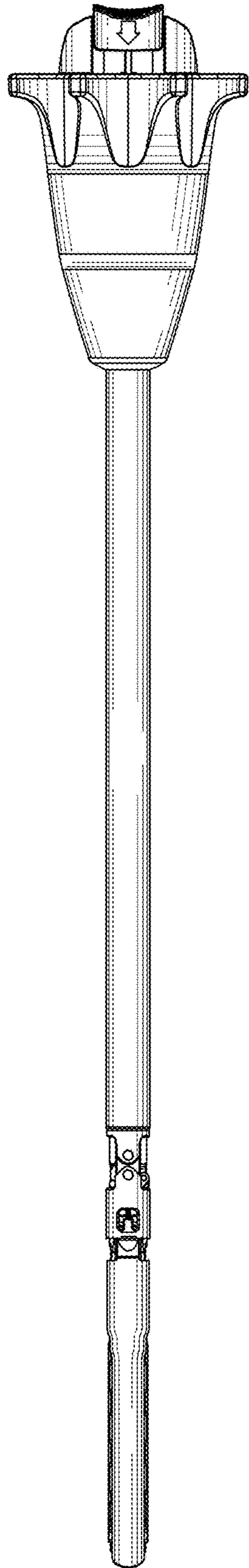


Fig. 33

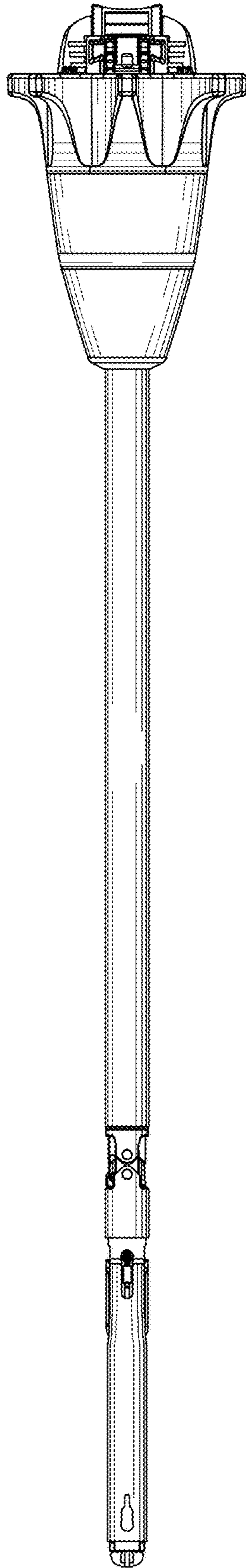


Fig. 34

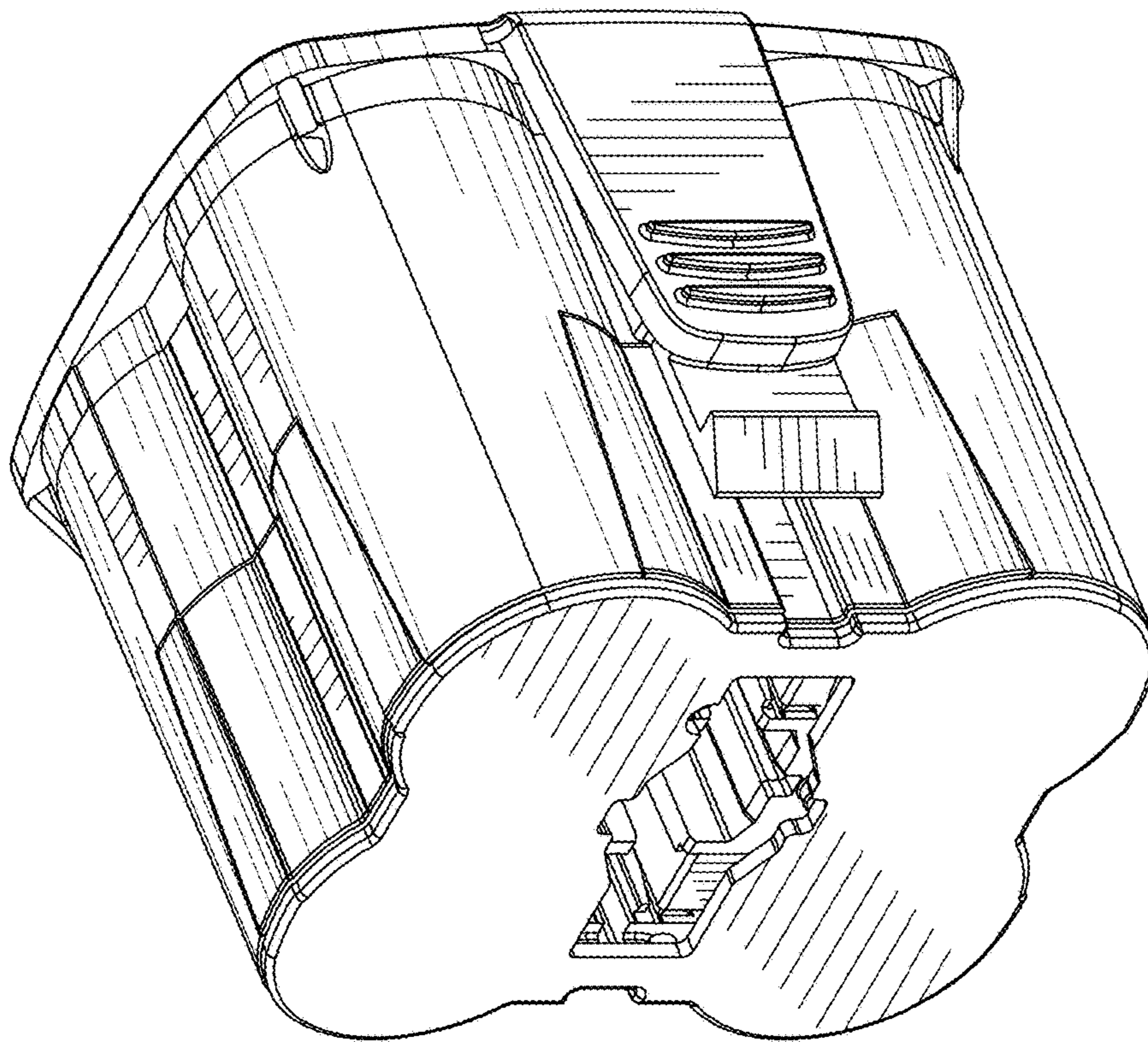


Fig. 35

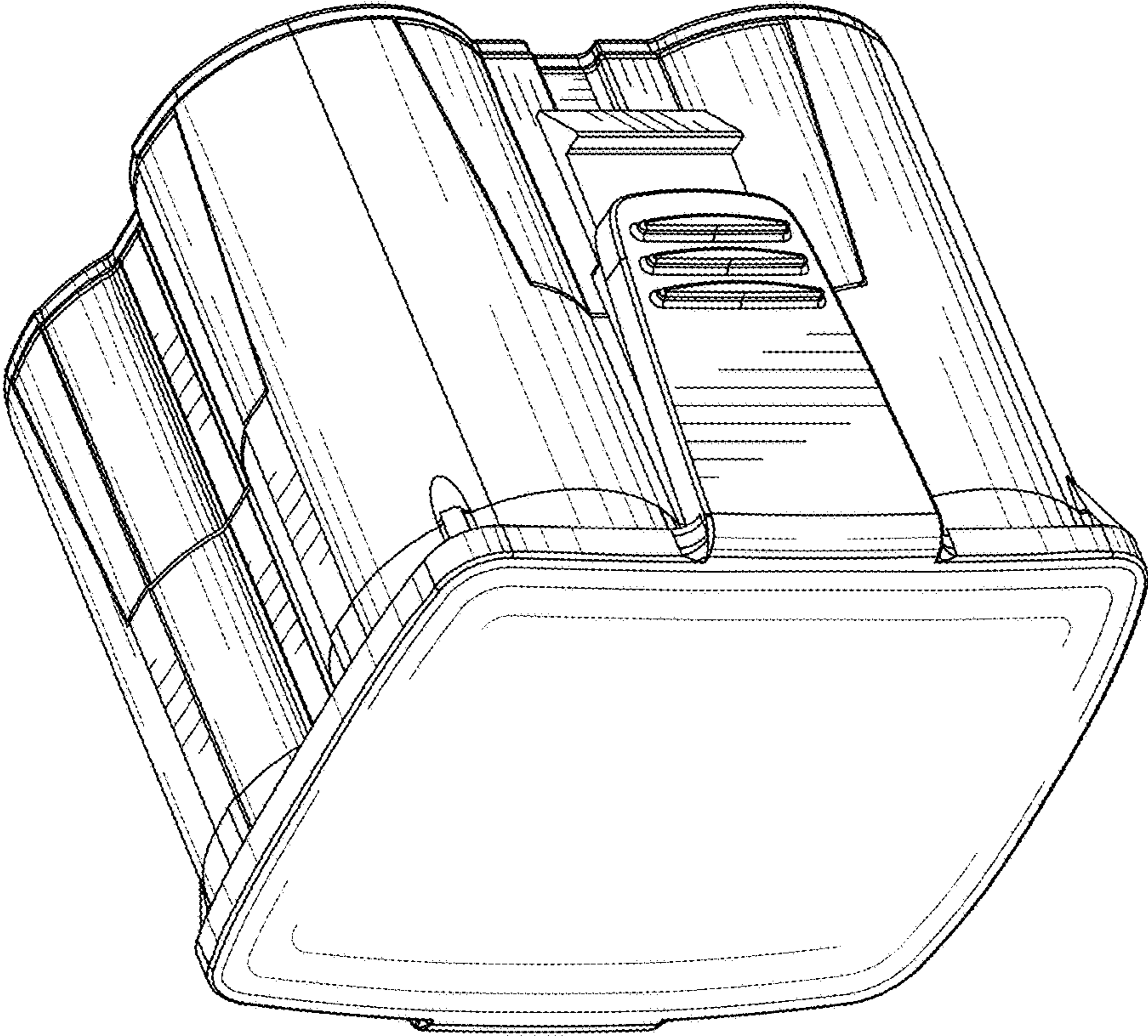


Fig. 36

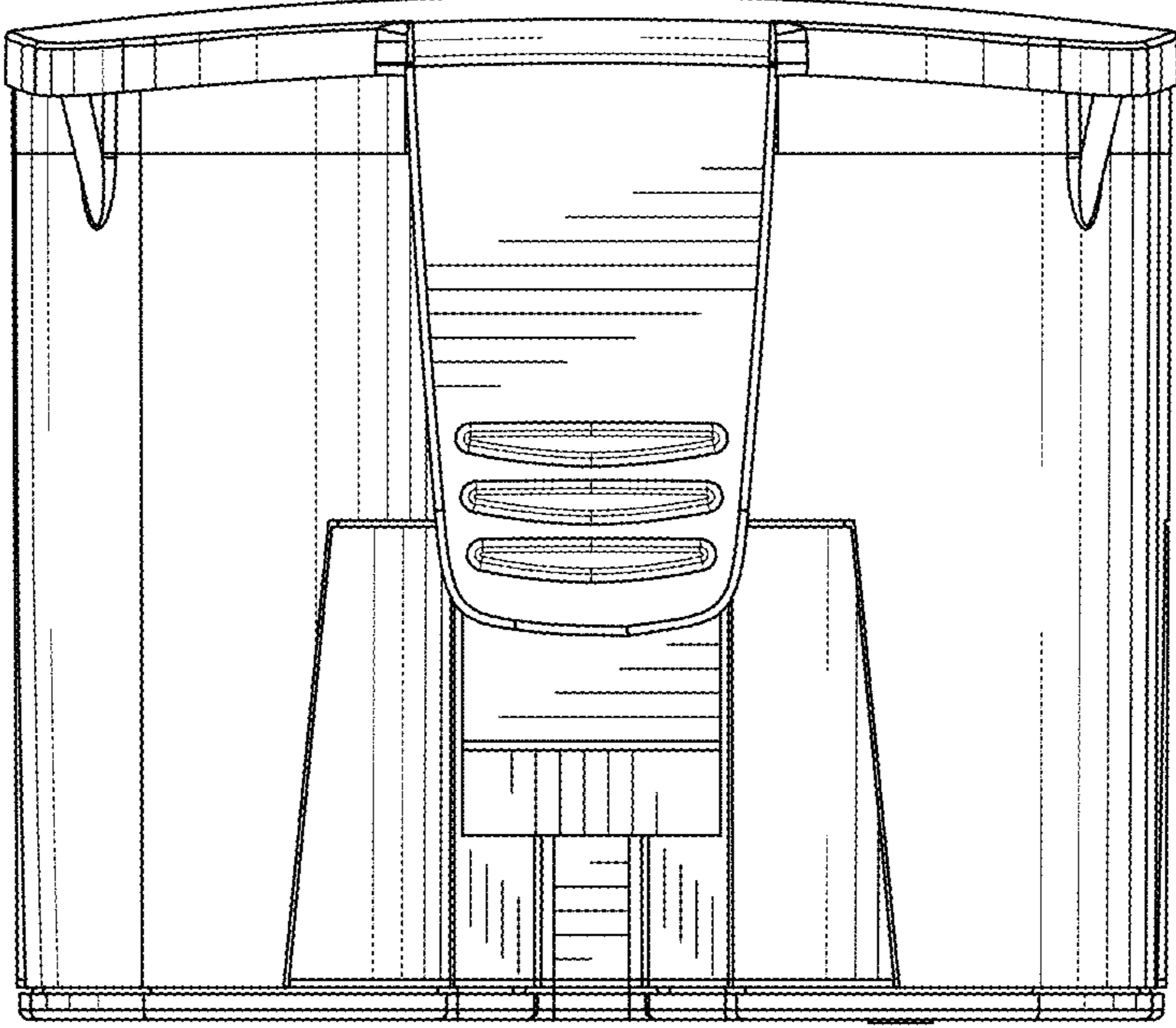


Fig. 37

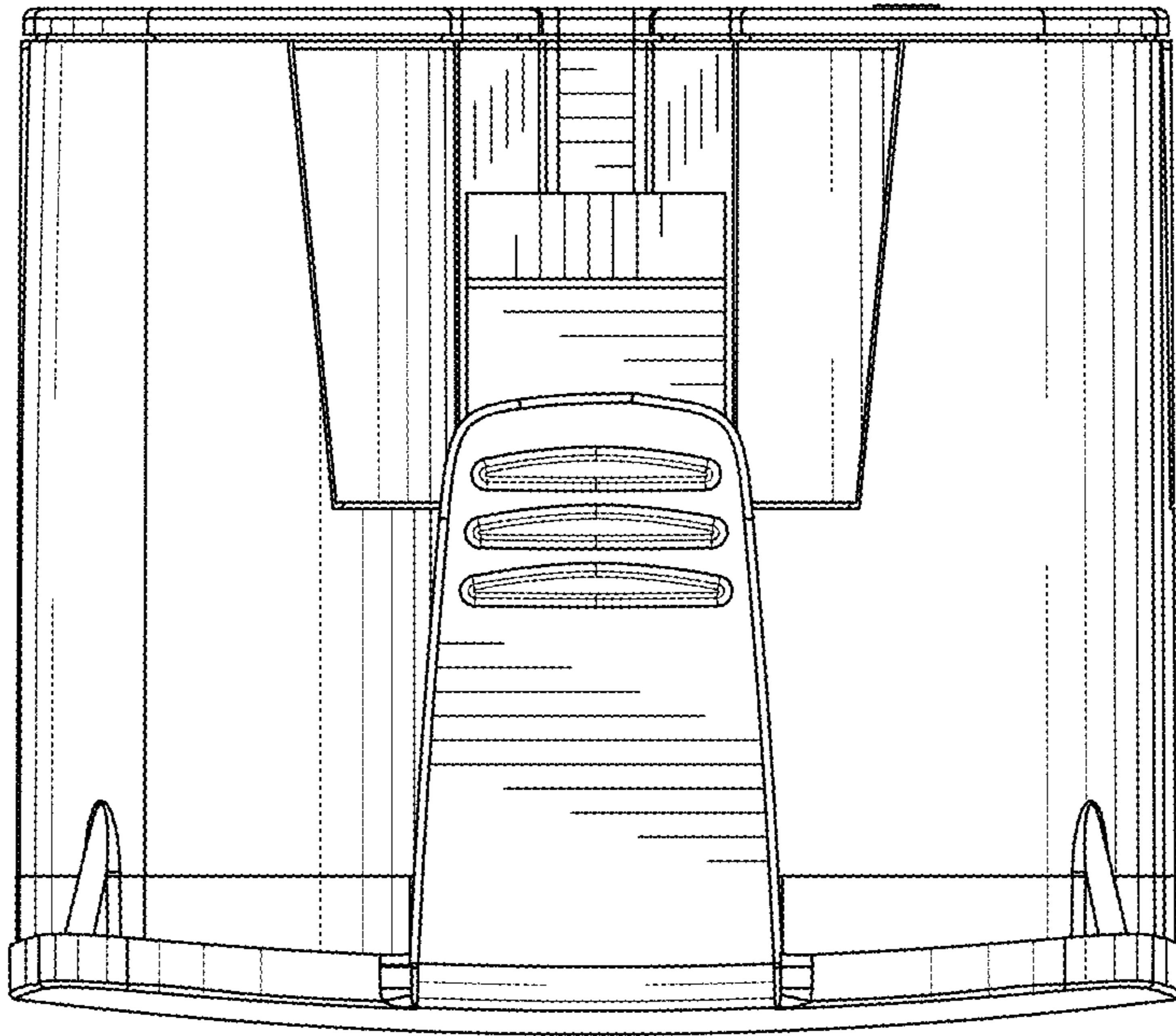


Fig. 38

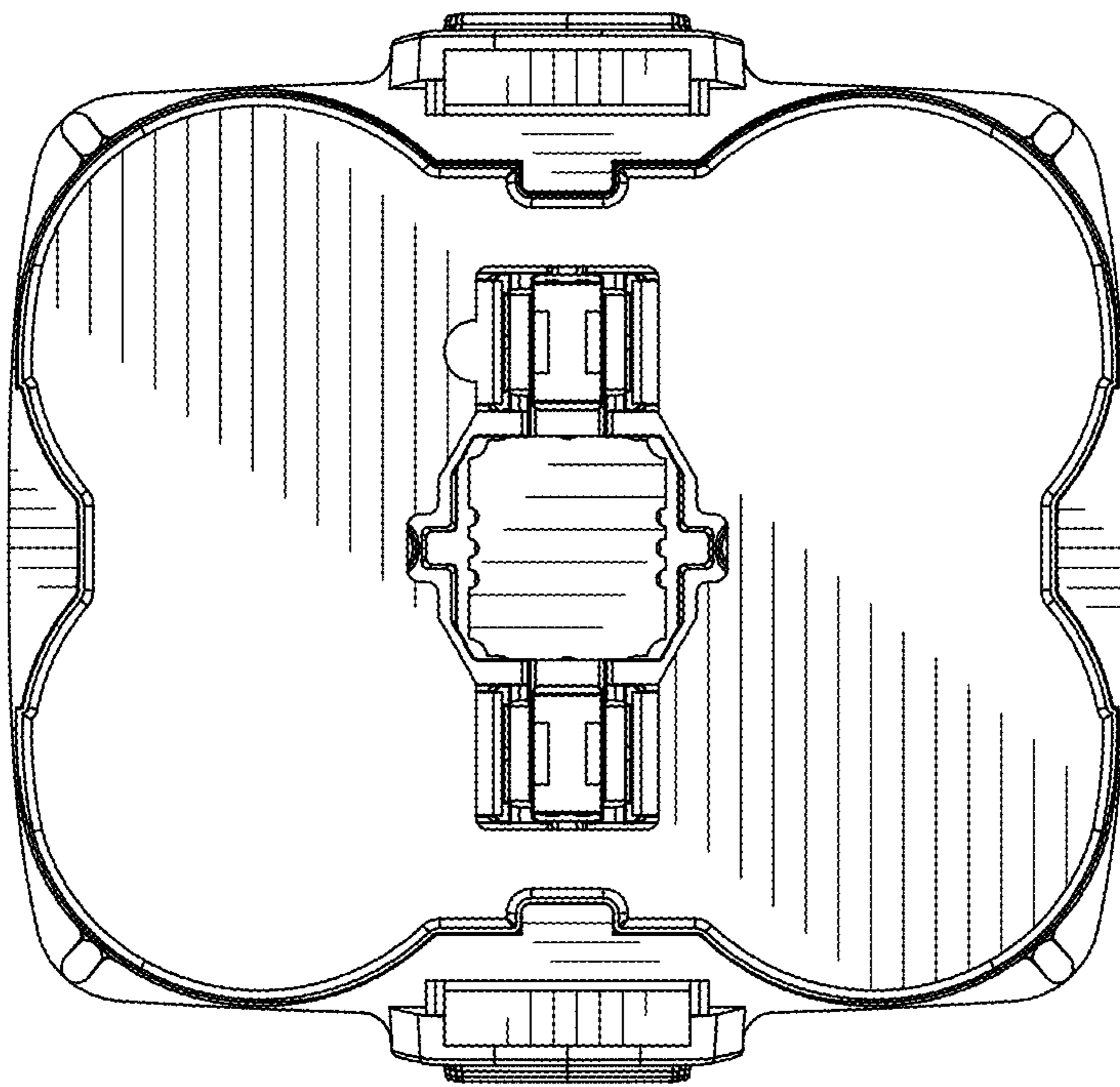


Fig. 39

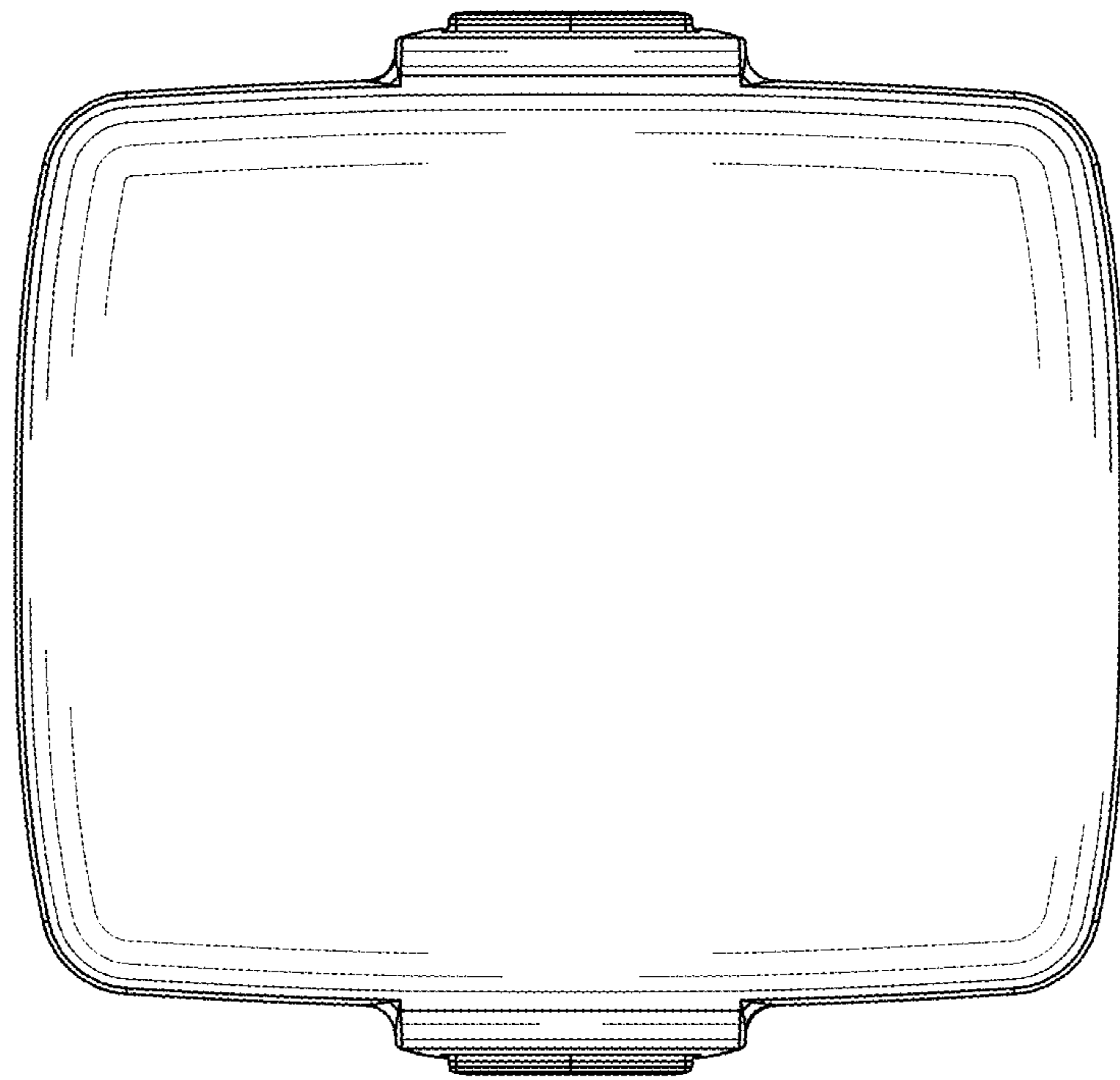


Fig. 40

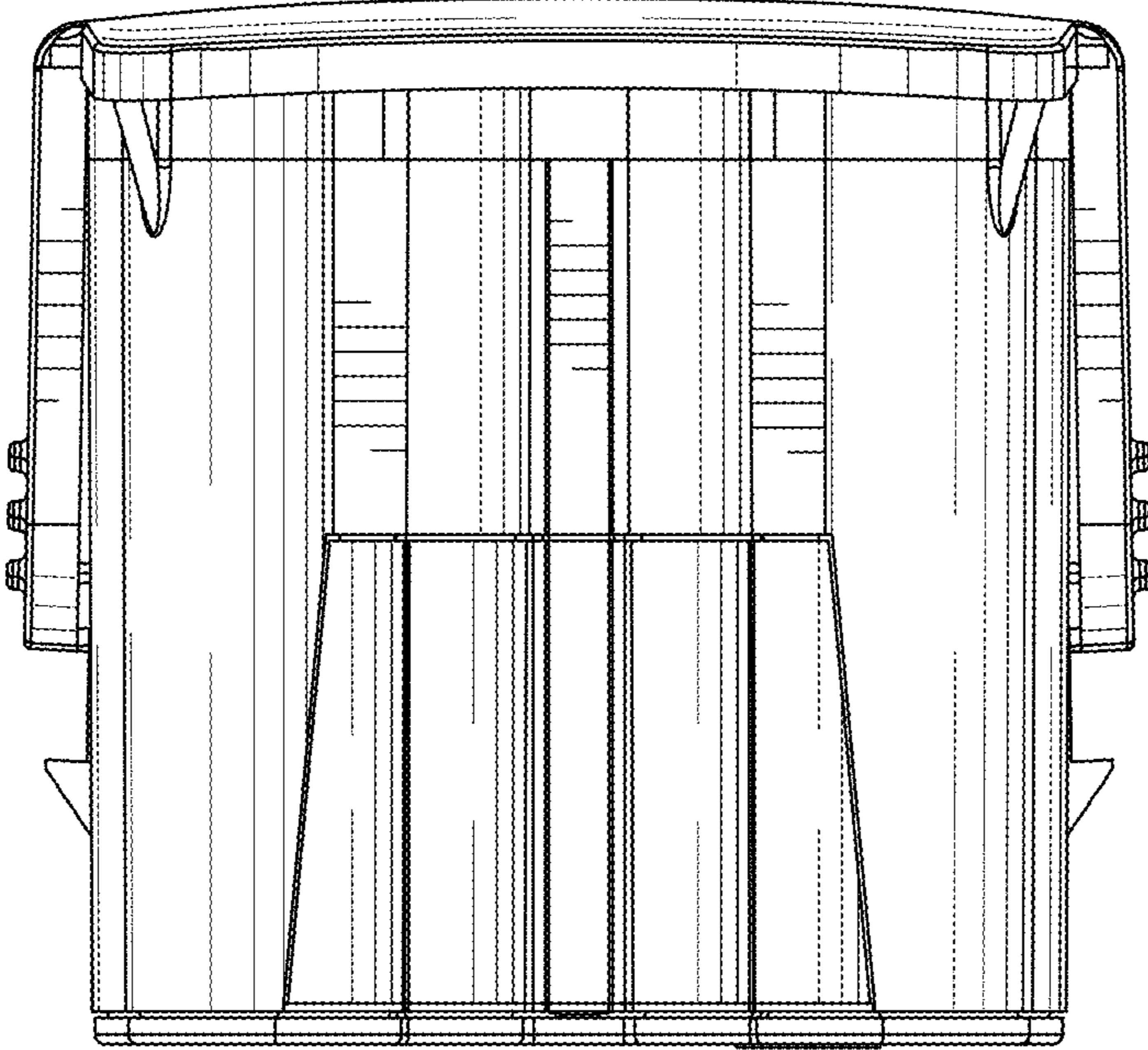


Fig. 41

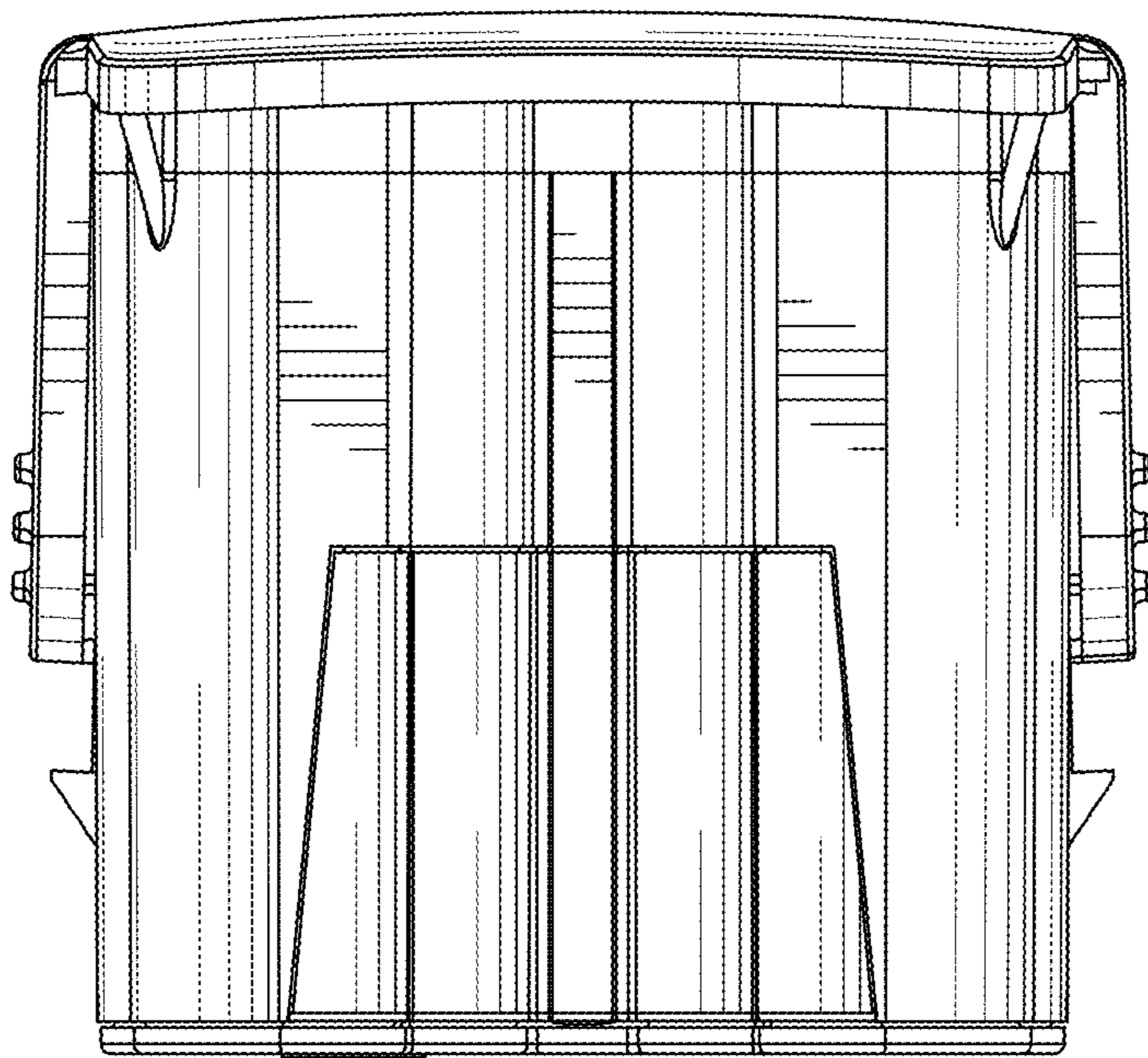


Fig. 42