



US00D800903S

(12) **United States Design Patent** (10) **Patent No.:** **US D800,903 S**
Heiliger (45) **Date of Patent:** **** Oct. 24, 2017**

(54) **SURGICAL TOOL**
(71) Applicant: **Medtronic PS Medical, Inc.**,
Louisville, CO (US)
(72) Inventor: **Zachary Heiliger**, Golden, CO (US)

3,043,634 A 7/1962 Coley
3,136,347 A 6/1964 Linguist
3,589,826 A 6/1971 Fenn
3,637,225 A 1/1972 Schmuck
3,835,858 A 9/1974 Hagen
(Continued)

(73) Assignee: **Medtronic PS Medical, Inc.**,
Louisville, CO (US)

FOREIGN PATENT DOCUMENTS

(**) Term: **15 Years**

CH 686 113 1/1996
DE 88 15 261.8 3/1989
(Continued)

(21) Appl. No.: **29/554,155**

OTHER PUBLICATIONS

(22) Filed: **Feb. 9, 2016**

International Search Report and Written Opinion for International
Application No. PCT/US2016/018686 mailed Jul. 22, 2016 (17
pgs).

(51) **LOC (10) Cl.** **24-02**

(52) **U.S. Cl.**
USPC **D24/144; D24/147**

(Continued)

(58) **Field of Classification Search**
USPC D24/127, 133, 135, 144, 146, 147;
606/29, 32, 33, 47, 48, 50, 81, 82, 171;
600/414; 604/523
CPC B26B 3/00; B26B 1/10; A61B 17/1757;
A61B 17/3417; A61M 25/0102; A61M
25/0662

Primary Examiner — Ian Simmons
Assistant Examiner — Samantha Q Lawrence
(74) *Attorney, Agent, or Firm* — Dicke, Billig & Czaja,
PLLC

See application file for complete search history.

(57) **CLAIM**

The ornamental design for a surgical tool, as shown and
described.

(56) **References Cited**

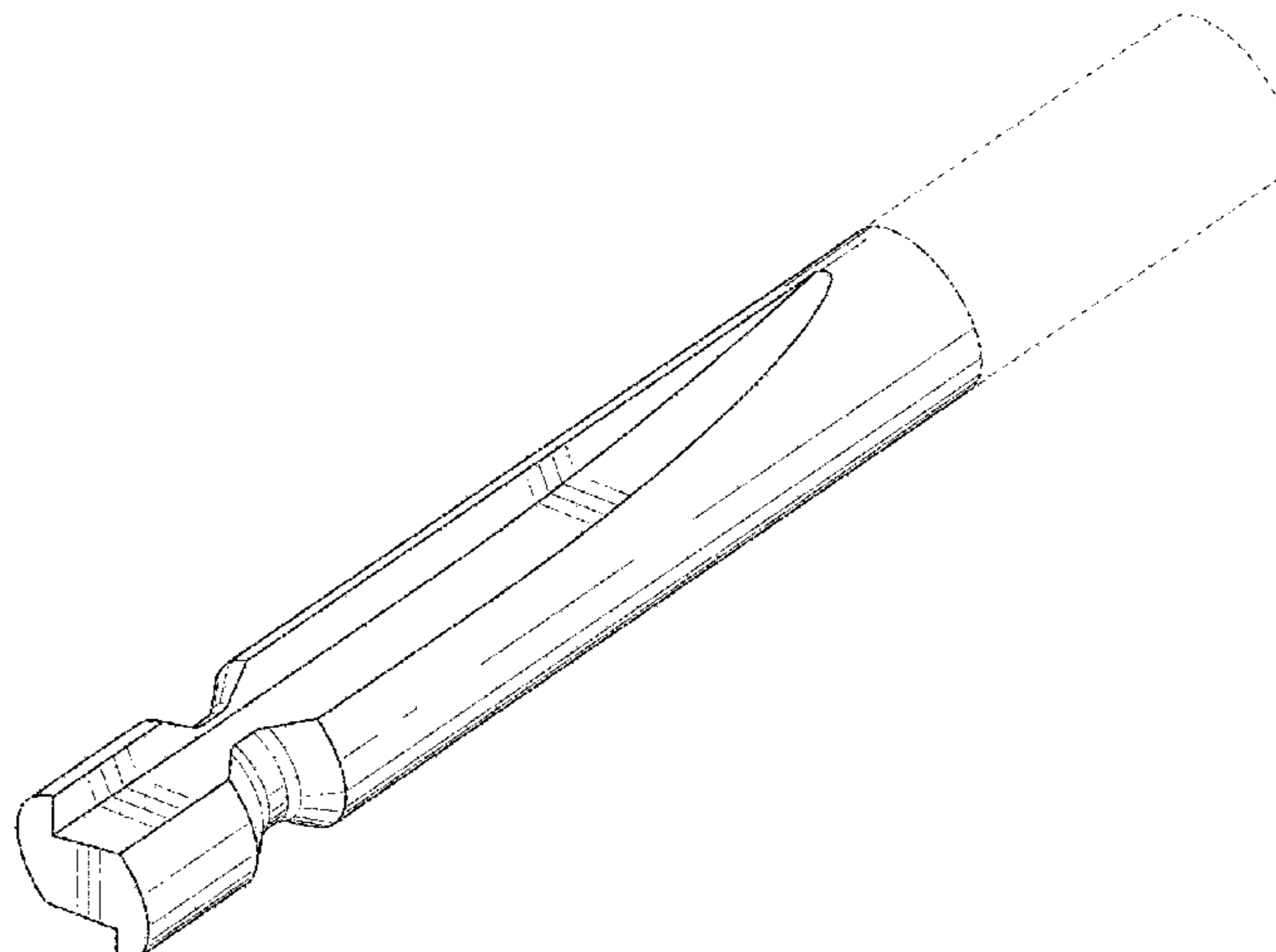
U.S. PATENT DOCUMENTS

233,709 A 10/1880 Starr
288,676 A 11/1883 Stearns
1,043,098 A 11/1912 Gross
1,053,709 A 2/1913 Collins
1,112,349 A 9/1914 Barnes
1,209,362 A 12/1916 Turner
1,539,439 A 5/1925 Smith
1,862,337 A 6/1932 Emrick
2,477,058 A 7/1949 Harborne et al.
2,512,033 A 6/1950 Metz
2,522,388 A 9/1950 Madsen
2,596,594 A 5/1952 Petre
2,682,184 A 6/1954 Szarkowski
2,726,872 A 12/1955 Onsrud
2,773,693 A 12/1956 Chittenden

DESCRIPTION

FIG. 1 is an isometric view of a surgical tool in accordance
with principles of the present disclosure;
FIG. 2 is a right side plan view thereof;
FIG. 3 is a left side plan view thereof;
FIG. 4 is a bottom plan view thereof;
FIG. 5 is a top plan view thereof;
FIG. 6 is a rear plan view thereof; and,
FIG. 7 is a front plan view thereof.
The dash-dot lines shown in FIGS. 1-5 illustrate a boundary
line that forms no part of the claimed design.

1 Claim, 6 Drawing Sheets



(56)

References Cited

U.S. PATENT DOCUMENTS

4,035,100	A	7/1977	Kruger et al.
4,047,722	A	9/1977	Nielsen et al.
4,078,593	A	3/1978	Benitz
4,107,949	A	8/1978	Wanner et al.
4,123,074	A	10/1978	Wanner
4,146,240	A	3/1979	Nielsen
4,185,383	A	1/1980	Heimke et al.
4,378,053	A	3/1983	Simpson
4,502,734	A	3/1985	Allan
4,512,692	A	4/1985	Nielsen et al.
4,565,472	A	1/1986	Brennsteiner et al.
4,594,036	A	6/1986	Hogenhout
4,655,651	A	4/1987	Hunger et al.
4,823,468	A	4/1989	Kollegger
4,830,000	A	5/1989	Shutt
4,917,274	A	4/1990	Asa et al.
5,009,440	A	4/1991	Manschitz
5,116,353	A	5/1992	Green
5,203,654	A	4/1993	Henderson
5,256,147	A	10/1993	Vidal et al.
5,263,786	A	11/1993	Kageyama
5,286,145	A	2/1994	Kleine
5,352,234	A	10/1994	Scott
5,382,249	A	1/1995	Fletcher
5,421,682	A	6/1995	Obermeier et al.
5,439,005	A	8/1995	Vaughn
5,487,626	A	1/1996	Von Holst et al.
5,499,985	A	3/1996	Hein et al.
5,505,737	A	4/1996	Gosselin et al.
5,549,634	A	8/1996	Scott et al.
5,569,256	A	10/1996	Vaughn et al.
D377,982	S	2/1997	Walen
5,601,560	A	2/1997	Del Rio et al.
5,634,933	A	6/1997	McCombs et al.
5,697,158	A	12/1997	Klinzing et al.
5,720,749	A	2/1998	Rupp
5,735,535	A	4/1998	McCombs et al.
5,741,263	A	4/1998	Umber et al.
5,782,836	A	7/1998	Umber et al.
5,810,802	A	9/1998	Panescu et al.
5,833,704	A	11/1998	McCombs et al.
5,893,851	A	4/1999	Umber et al.
5,928,241	A	7/1999	Menut et al.
5,941,891	A	8/1999	Walen
5,989,257	A	11/1999	Tidwell et al.
6,000,940	A	12/1999	Buss et al.
6,007,541	A	12/1999	Scott
6,062,575	A	5/2000	Mickel et al.
6,209,886	B1	4/2001	Estes et al.
6,261,035	B1	7/2001	Moores et al.
6,267,763	B1	7/2001	Castro
6,290,525	B1	9/2001	Jacobi
6,409,221	B1	6/2002	Robinson et al.
6,447,484	B1	9/2002	Briscoe et al.
6,607,533	B2	8/2003	Del Rio et al.
6,612,588	B2	9/2003	Ostermeier et al.
6,688,610	B2	2/2004	Huggins et al.
6,723,101	B2	4/2004	Fletcher et al.
6,733,218	B2	5/2004	Del Rio et al.
D492,412	S	6/2004	Desoutter et al.
6,746,153	B2	6/2004	Del Rio et al.
6,780,189	B2	8/2004	Tidwell et al.
6,811,190	B1	11/2004	Ray et al.
7,001,391	B2	2/2006	Estes et al.
7,011,661	B2	3/2006	Riedel et al.
7,066,940	B2	6/2006	Riedel et al.
D536,791	S	2/2007	Eskridge et al.
7,261,169	B2	8/2007	Kleine et al.
7,374,375	B2	5/2008	Kleine et al.
7,429,154	B2	9/2008	Kleine et al.
7,465,309	B2	12/2008	Walen
7,488,327	B2	2/2009	Rathbun et al.
7,497,860	B2	3/2009	Carusillo et al.
7,549,992	B2	6/2009	Shores et al.
7,559,927	B2	7/2009	Shores et al.
D609,810	S	2/2010	Cote et al.
7,669,308	B2	3/2010	Oshnock et al.
7,691,106	B2	4/2010	Schenberger et al.
7,722,054	B2	5/2010	Young
D617,900	S	6/2010	Kingsley et al.
D617,901	S	6/2010	Unger et al.
D617,902	S	6/2010	Twomey et al.
D617,903	S	6/2010	Unger et al.
7,766,585	B2	8/2010	Vasudeva et al.
D631,962	S	2/2011	Dorman
D636,082	S	4/2011	Cote et al.
7,922,720	B2	4/2011	May et al.
D641,468	S	7/2011	Ruiz et al.
8,043,292	B2	10/2011	Carusillo
D648,021	S	11/2011	Dorman
D666,294	S	8/2012	Miles et al.
8,361,068	B2	1/2013	McClurken
8,419,760	B2	4/2013	Wiebe, III
8,518,065	B2	8/2013	Shores et al.
D692,134	S	10/2013	Lee-Sepsick
8,597,316	B2	12/2013	McCombs
8,702,710	B2	4/2014	Carusillo
8,801,713	B2	8/2014	Del Rio et al.
8,893,820	B2	11/2014	Barhitte et al.
D728,098	S	4/2015	Schad et al.
D728,099	S	4/2015	Schad et al.
D744,650	S	12/2015	Catron et al.
D746,457	S	12/2015	Swick et al.
D747,477	S	1/2016	Freigang et al.
D753,826	S	4/2016	Eggeling et al.
2002/0105149	A1	8/2002	Karst
2002/0151902	A1	10/2002	Riedel et al.
2002/0171208	A1	11/2002	Lechot et al.
2003/0097133	A1	5/2003	Green et al.
2003/0140743	A1	7/2003	Ofentavsek
2003/0163134	A1	8/2003	Riedel et al.
2003/0229351	A1	12/2003	Tidwell et al.
2005/0027282	A1	2/2005	Schweikert et al.
2005/0072007	A1	4/2005	Proulx
2005/0232715	A1	10/2005	Baumann et al.
2006/0053974	A1	3/2006	Blust et al.
2007/0172321	A1	7/2007	Nagai
2007/0282329	A1	12/2007	Kawano
2008/0033280	A1	2/2008	Lubbock et al.
2009/0024129	A1	1/2009	Gordon et al.
2009/0312779	A1	12/2009	Boykin et al.
2010/0063524	A1	3/2010	McCombs
2010/0076477	A1	3/2010	Jeziarski et al.
2011/0022069	A1	1/2011	Mitusina
2011/0190803	A1	8/2011	To et al.
2011/0218562	A1	9/2011	Viola et al.
2011/0238070	A1	9/2011	Santangelo et al.
2011/0270293	A1	11/2011	Malla et al.
2011/0270294	A1	11/2011	Rubin
2012/0070220	A1	3/2012	Ruiz et al.
2013/0110147	A1	5/2013	Dame
2013/0116659	A1	5/2013	Porter
2013/0138096	A1	5/2013	Benn
2013/0144267	A1	6/2013	Chan et al.
2013/0296848	A1	11/2013	Allen, IV et al.
2014/0056656	A1	2/2014	Bae et al.
2014/0124231	A1	5/2014	Hessenberger et al.
2014/0163558	A1	6/2014	Cosgrove et al.
2014/0336654	A1	11/2014	Pilgeram
2014/0350561	A1	11/2014	Dacosta et al.
2014/0371752	A1	12/2014	Anderson

FOREIGN PATENT DOCUMENTS

DE	102012101259	8/2013
EP	0293327	11/1988
EP	0216354	7/1991
EP	1101459	2/2006
EP	1289714	8/2008
EP	1514034	10/2011
FR	1330849	6/1963
GB	2129730	5/1984
RU	2077275	4/1997
WO	9608343	3/1996

(56)

References Cited

FOREIGN PATENT DOCUMENTS

WO	01/66024	9/2001
WO	01/89769	11/2001
WO	2014/037134	3/2014
WO	2014/176060	10/2014

OTHER PUBLICATIONS

Product Catalog—vol. 9, Brasseler USA, Case 0:11-cv-01404-
MJD-FLN Document 40-3 Filed Nov. 18, 2011—7 pgs.

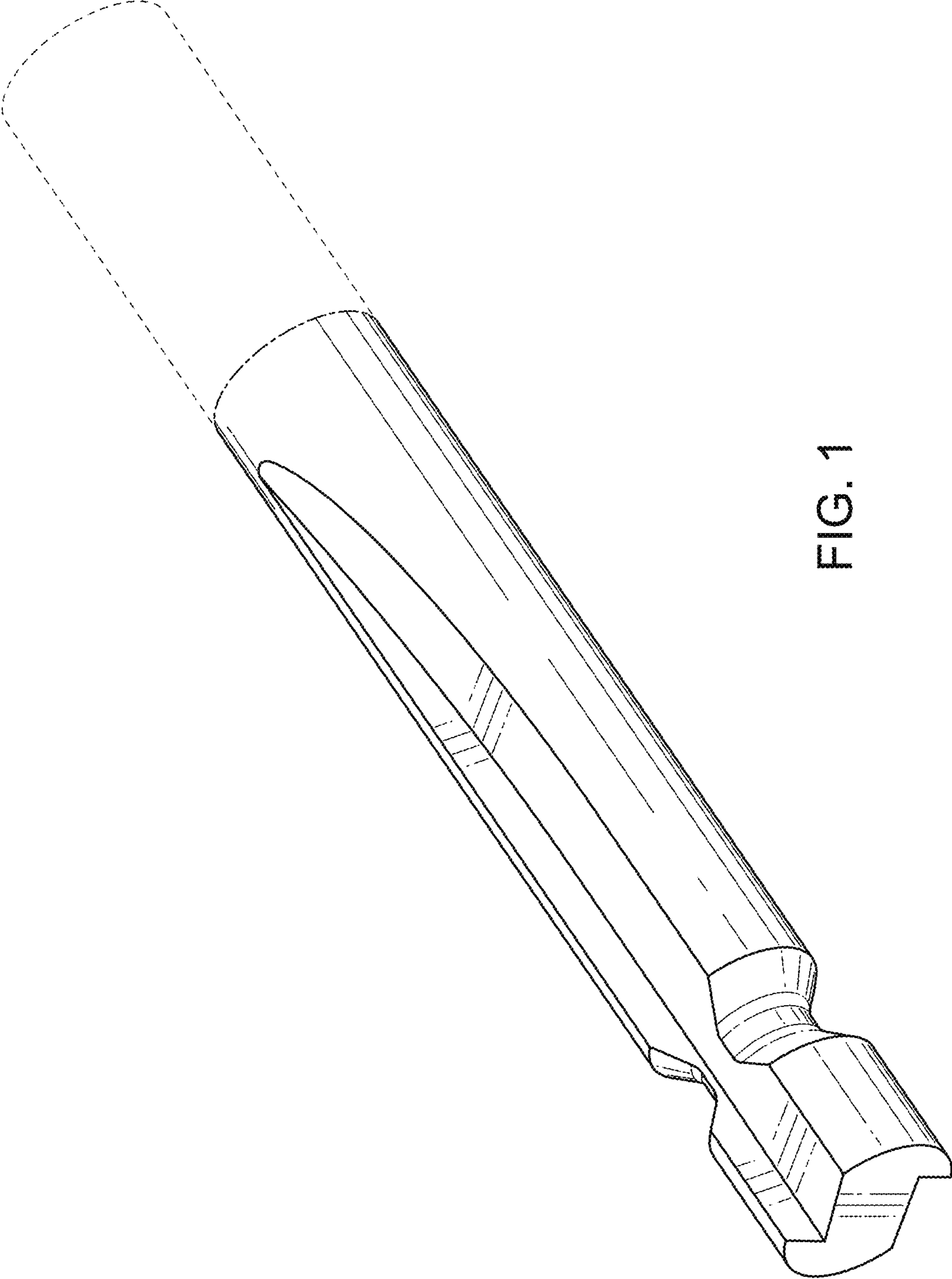


FIG. 1

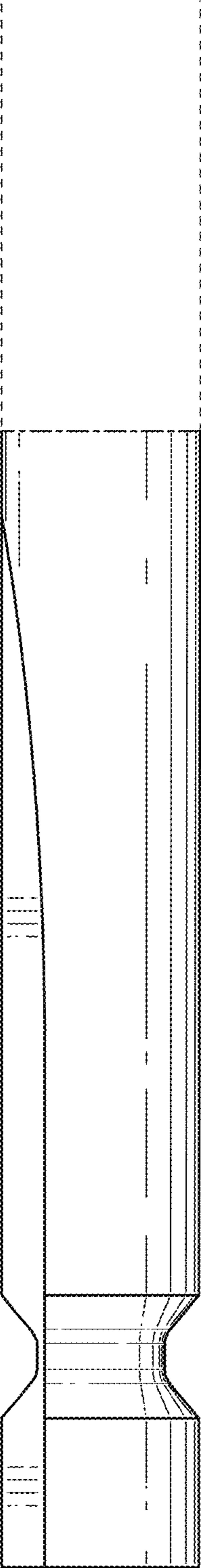


FIG. 2

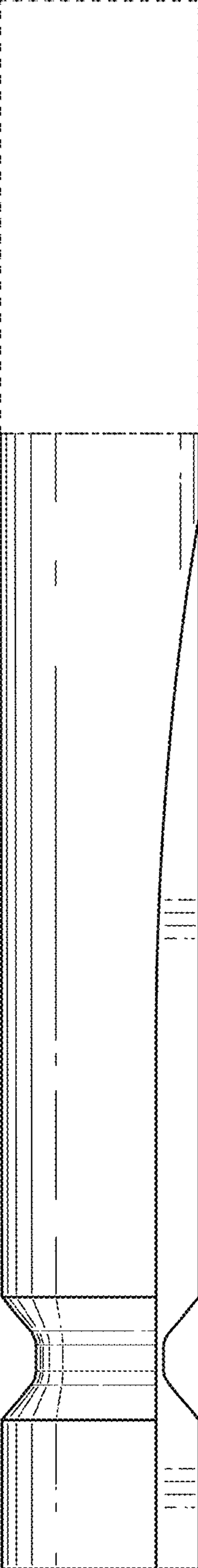


FIG. 3

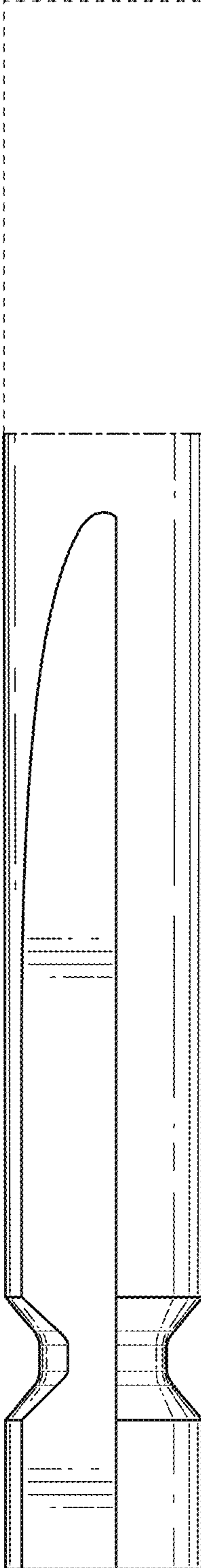


FIG. 4

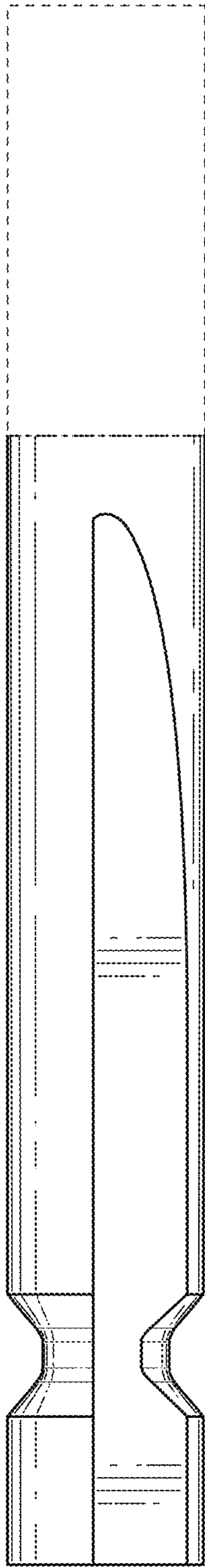


FIG. 5

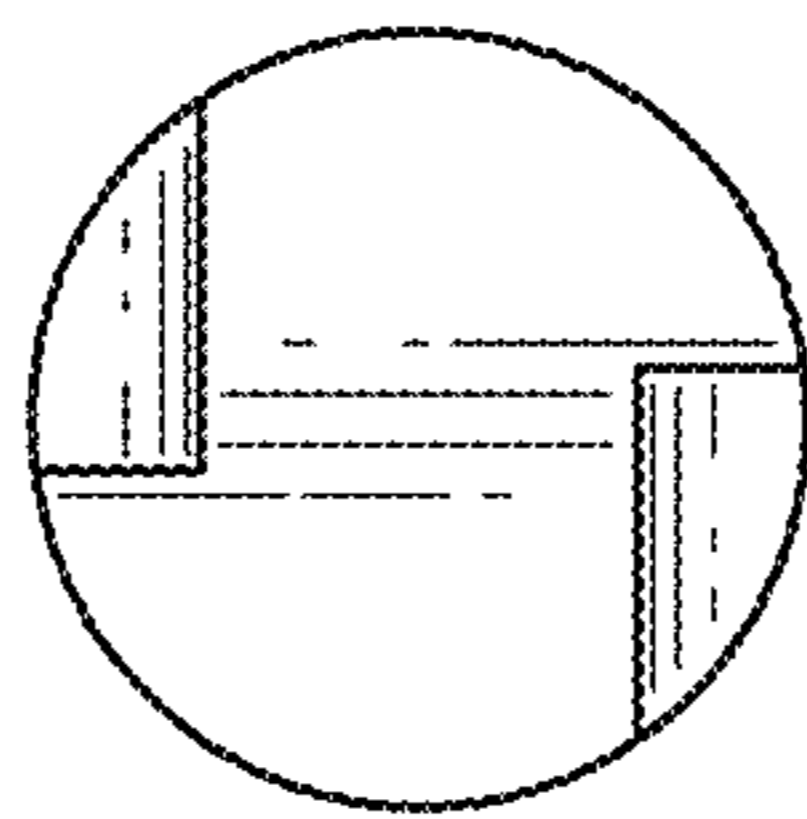


FIG. 6

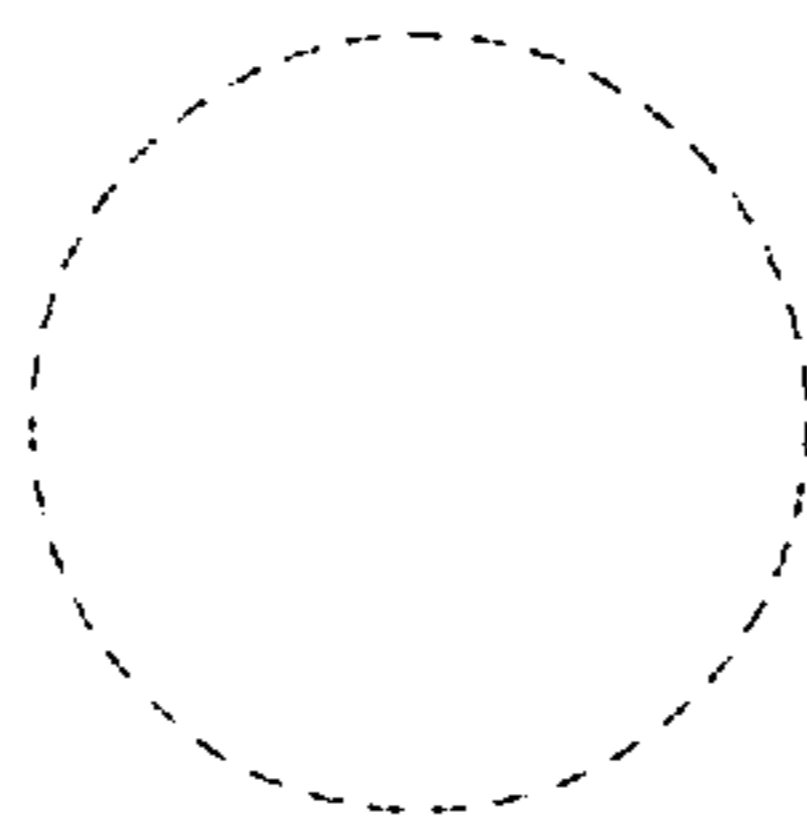


FIG. 7