



US00D800902S

(12) **United States Design Patent**
Marogil

(10) **Patent No.:** **US D800,902 S**

(45) **Date of Patent:** **** Oct. 24, 2017**

(54) **ABSCCESS DRAIN**

(71) Applicant: **Mar-Med Co.**, Grand Rapids, MI (US)

(72) Inventor: **Jerry Paul Marogil**, Grand Rapids, MI (US)

(73) Assignee: **MAR-MED CO.**, Grand Rapids, MI (US)

(**) Term: **15 Years**

(21) Appl. No.: **29/575,083**

(22) Filed: **Aug. 22, 2016**

Related U.S. Application Data

(63) Continuation of application No. 15/081,199, filed on Mar. 25, 2016.

(51) **LOC (10) Cl.** **24-02**

(52) **U.S. Cl.**
USPC **D24/143**

(58) **Field of Classification Search**
USPC D24/143, 133, 147, 165; D8/377, D8/380-381; D6/546, 549
CPC A61B 17/02; A61M 5/425; A61M 5/46
See application file for complete search history.

(56) **References Cited**

U.S. PATENT DOCUMENTS

D319,311 S * 8/1991 Kohler D24/143
5,147,306 A * 9/1992 Gubich A61M 5/425
24/498

5,242,453 A * 9/1993 Gubich A61M 5/425
24/567
5,254,095 A * 10/1993 Harvey A61M 5/425
24/563
6,117,146 A * 9/2000 Sliselman A61M 5/425
604/116
8,211,056 B2 * 7/2012 Cull A61L 317/132
604/115

* cited by examiner

Primary Examiner — Wan Laymon

(74) *Attorney, Agent, or Firm* — Senniger Powers LLP

(57) **CLAIM**

The ornamental design for an abscess drain, as shown and described.

DESCRIPTION

FIG. 1 is a perspective of an abscess drain;
FIG. 2 is a front view thereof, the rear view being identical to the front view;
FIG. 3 is a right side view thereof, the left side view being identical to the right side view; and,
FIG. 4 is a top plan view thereof, the bottom plan view being identical to the top plan view.

1 Claim, 4 Drawing Sheets

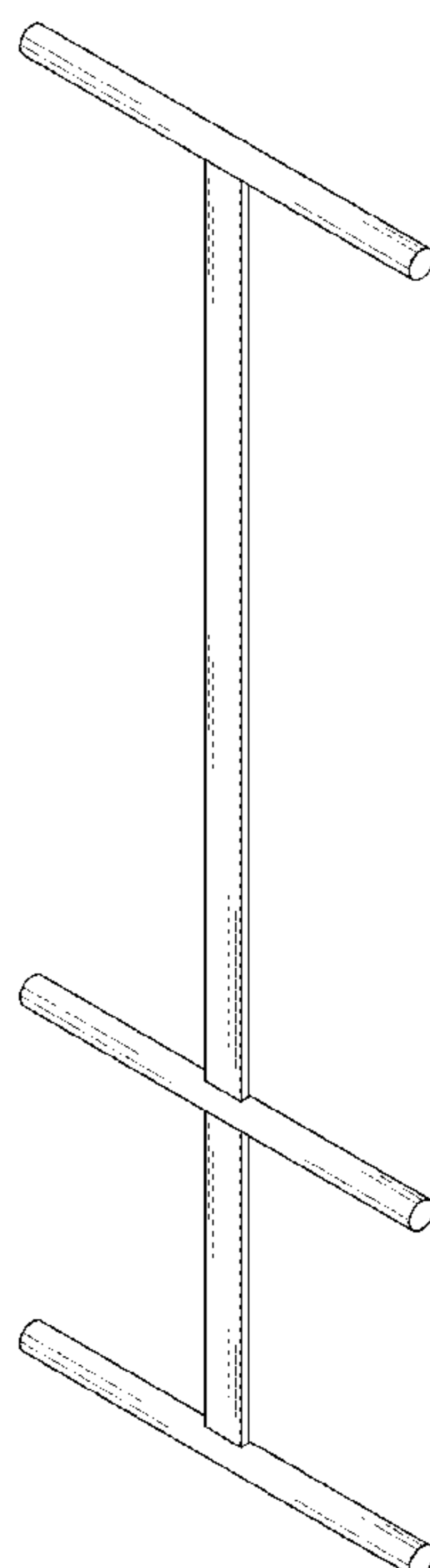


FIG. 1

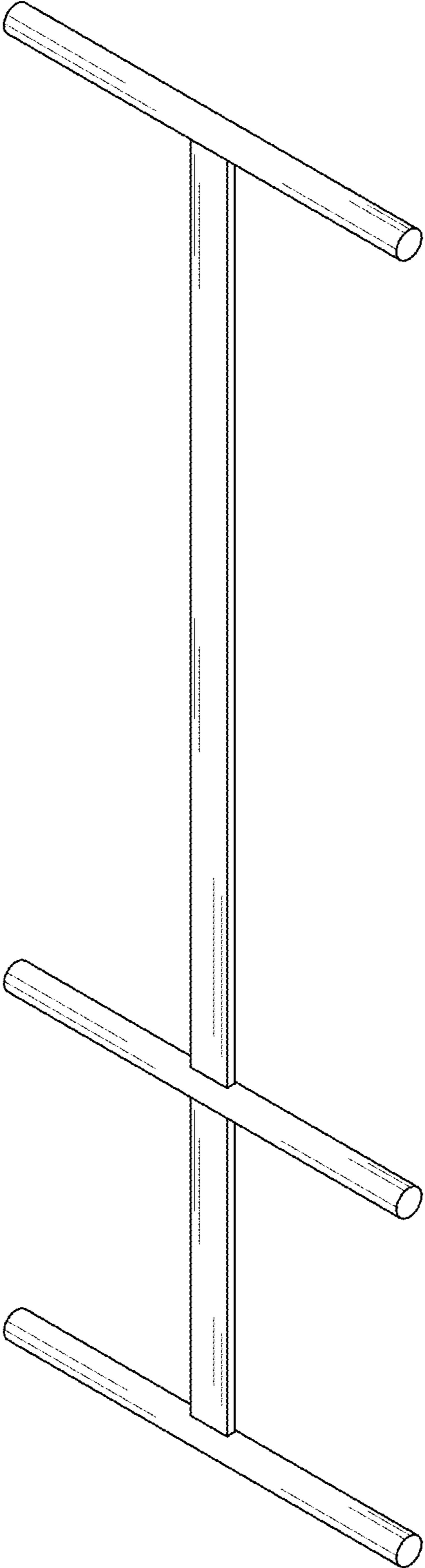


FIG. 2

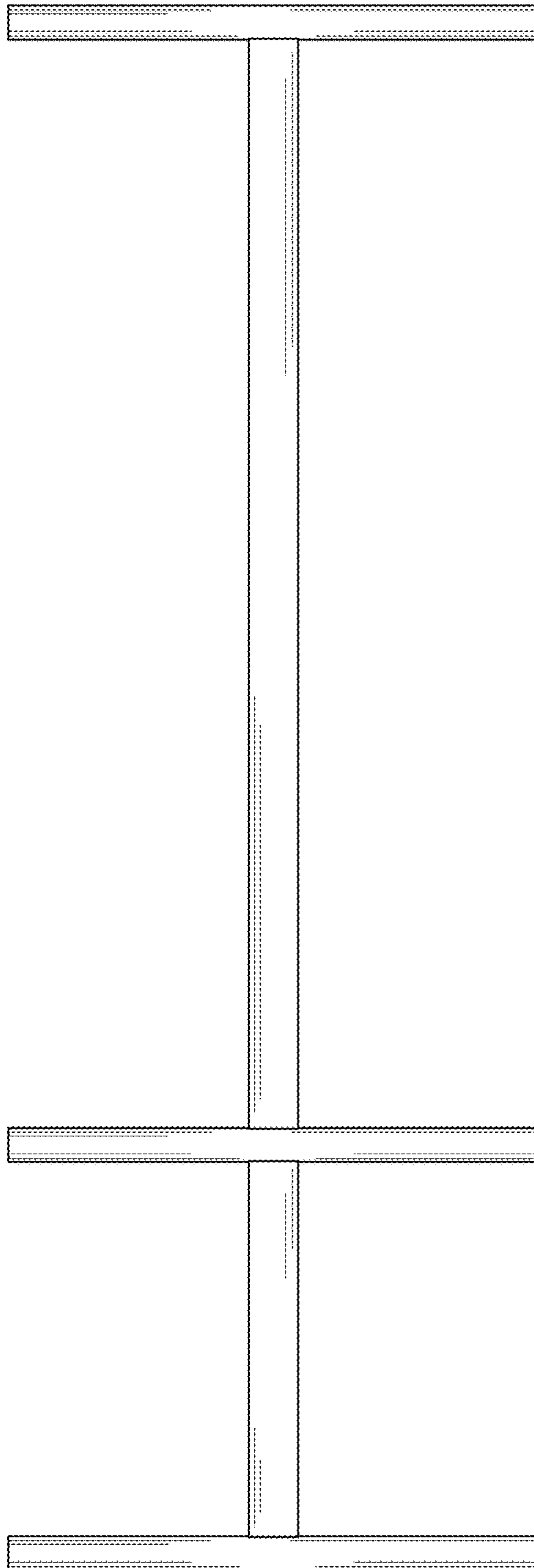


FIG. 3



FIG. 4

