



US00D800899S

(12) **United States Design Patent** (10) **Patent No.:** **US D800,899 S**  
**Adams et al.** (45) **Date of Patent:** **\*\* Oct. 24, 2017**

(54) **ENFIT CONNECTOR**

(71) Applicant: **Dale Medical Products, Inc.**,  
Plainville, MA (US)

(72) Inventors: **David Preston Adams**, North Hampton,  
NH (US); **Alan Kenneth Stratton**,  
Milford, NH (US); **Joseph A. Zilaro**,  
Sturbridge, MA (US); **Sharon Steeves**,  
Bellingham, MA (US)

(73) Assignee: **Dale Medical Products, Inc.**,  
Plainville, MA (US)

(\*\*) Term: **15 Years**

(21) Appl. No.: **29/560,716**

(22) Filed: **Apr. 8, 2016**

(51) **LOC (10) Cl.** ..... **24-02**

(52) **U.S. Cl.**  
USPC ..... **D24/129**

(58) **Field of Classification Search**  
USPC ..... D24/127-131, 112-114, 133, 186;  
606/181, 185; 604/533, 264, 523-528,  
604/272, 187, 158, 164.01-164.11, 181,  
604/184, 227; 600/101, 139, 143;  
128/200.24, 207.14, 207.15  
CPC ..... A61M 39/10; A61M 2039/1072; A61M  
2039/0072  
See application file for complete search history.

(56) **References Cited**

**U.S. PATENT DOCUMENTS**

D483,487 S \* 12/2003 Harding ..... D24/129  
D640,787 S \* 6/2011 Chia ..... D24/130

D641,080 S \* 7/2011 Zinger ..... D24/129  
D665,077 S \* 8/2012 Becker ..... D24/133  
D673,674 S \* 1/2013 Ho ..... D24/129  
8,372,059 B2 \* 2/2013 Ziman ..... A61M 39/10  
604/533  
D689,187 S \* 9/2013 Kruger ..... D24/127  
D707,355 S \* 6/2014 Bow ..... D24/129  
D757,260 S \* 5/2016 Lombardi, III ..... D24/129  
D757,934 S \* 5/2016 Barrett ..... D24/129  
D764,660 S \* 8/2016 Babbs ..... D24/129  
D771,806 S \* 11/2016 Steele ..... D24/129  
D773,659 S \* 12/2016 Cain ..... D24/129

\* cited by examiner

*Primary Examiner* — David Muller

(74) *Attorney, Agent, or Firm* — Finnegan, Henderson,  
Farabow, Garrett & Dunner LLP

(57) **CLAIM**

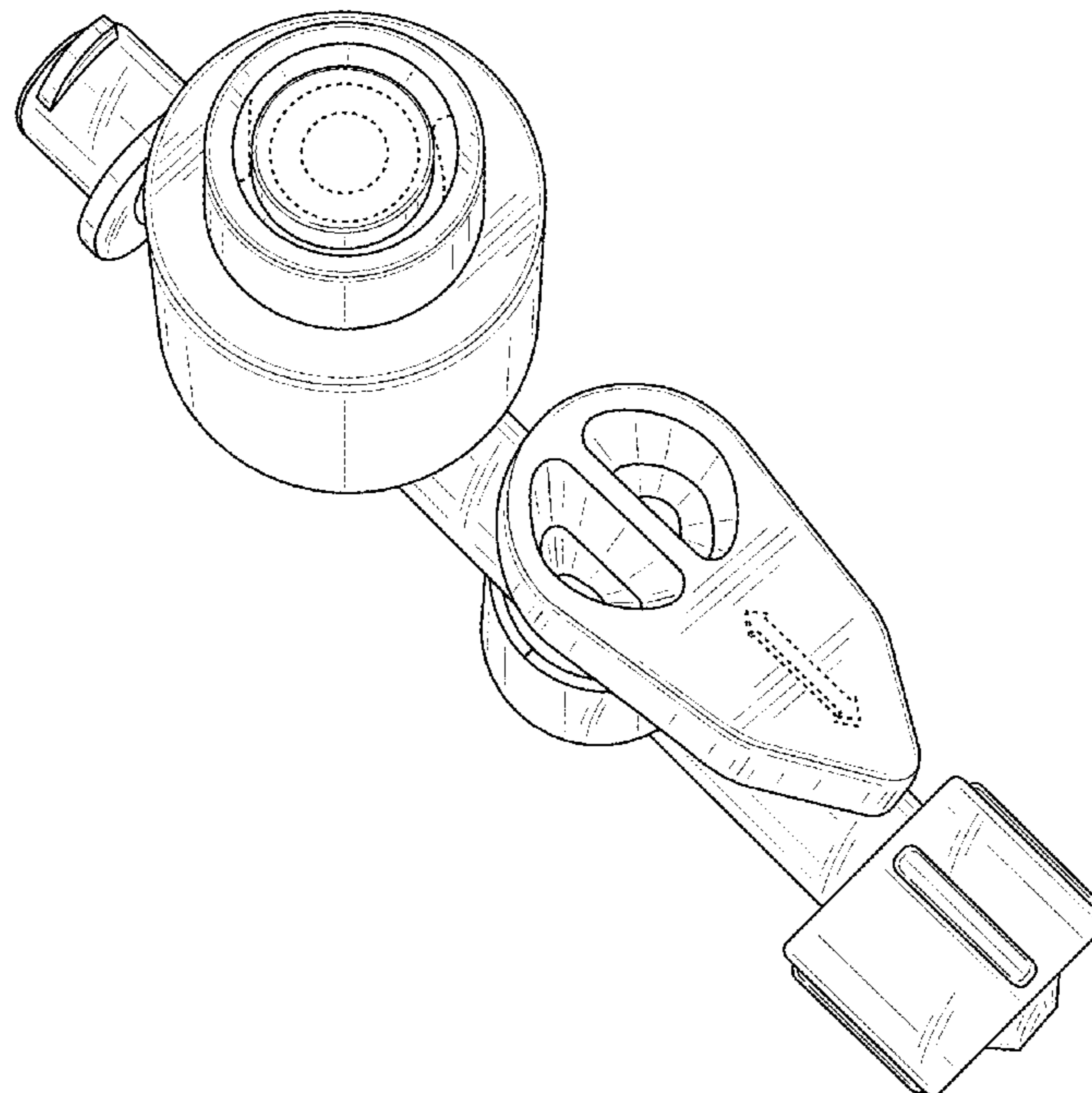
The ornamental design for an enfit connector, as shown and described.

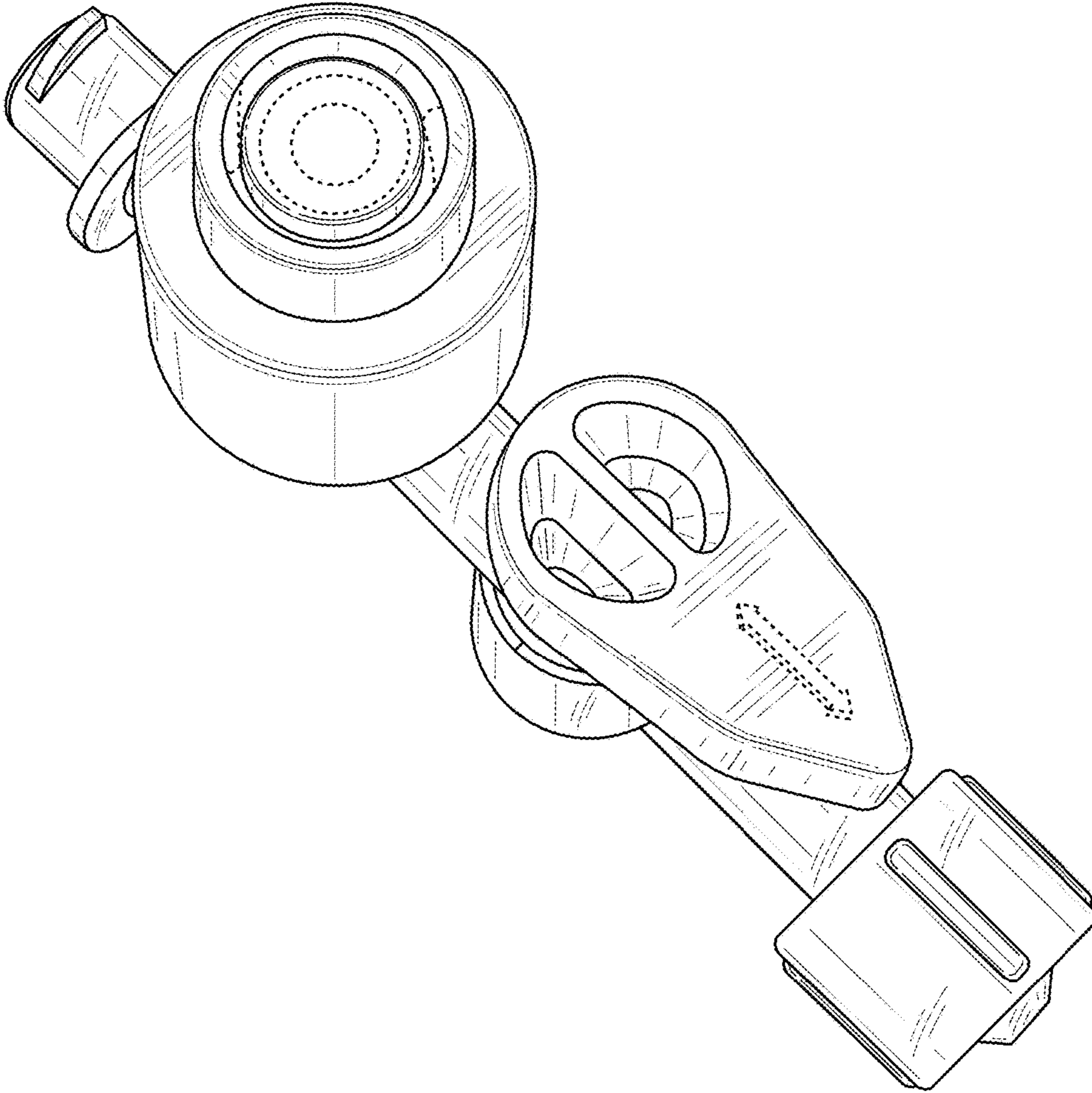
**DESCRIPTION**

FIG. 1 is a top front right perspective view of a first embodiment of an enfit connector showing our new design; FIG. 2 is a top rear left perspective view thereof; FIG. 3 is a top plan view thereof; FIG. 4 is a bottom plan view thereof; FIG. 5 is a left side elevation view thereof; FIG. 6 is a right side view thereof; FIG. 7 is a rear elevation view thereof; and, FIG. 8 is a front elevation view thereof.

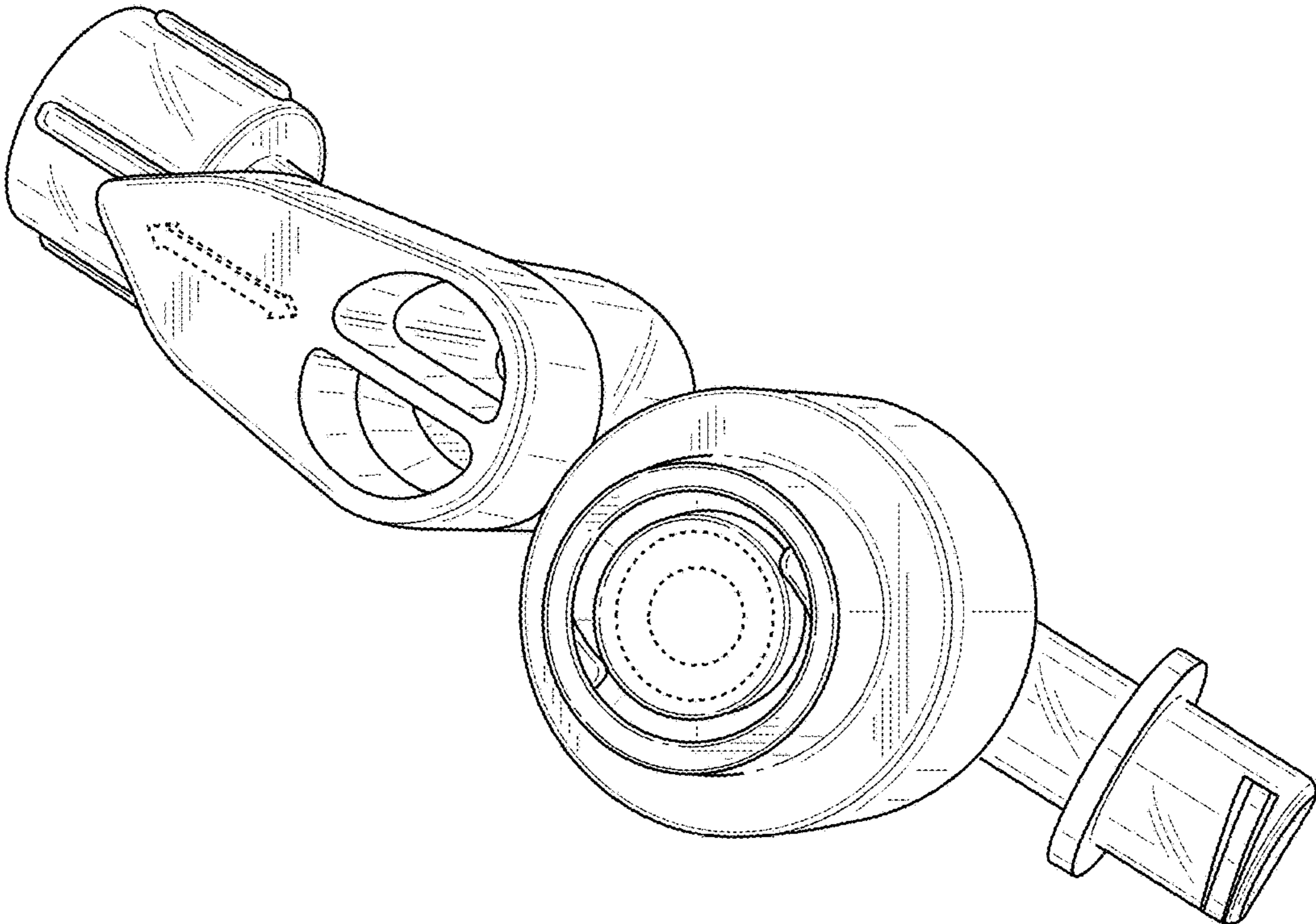
The broken lines of even length shown in the drawings illustrate portions of the enfit connector that form no part of the claimed design.

**1 Claim, 8 Drawing Sheets**

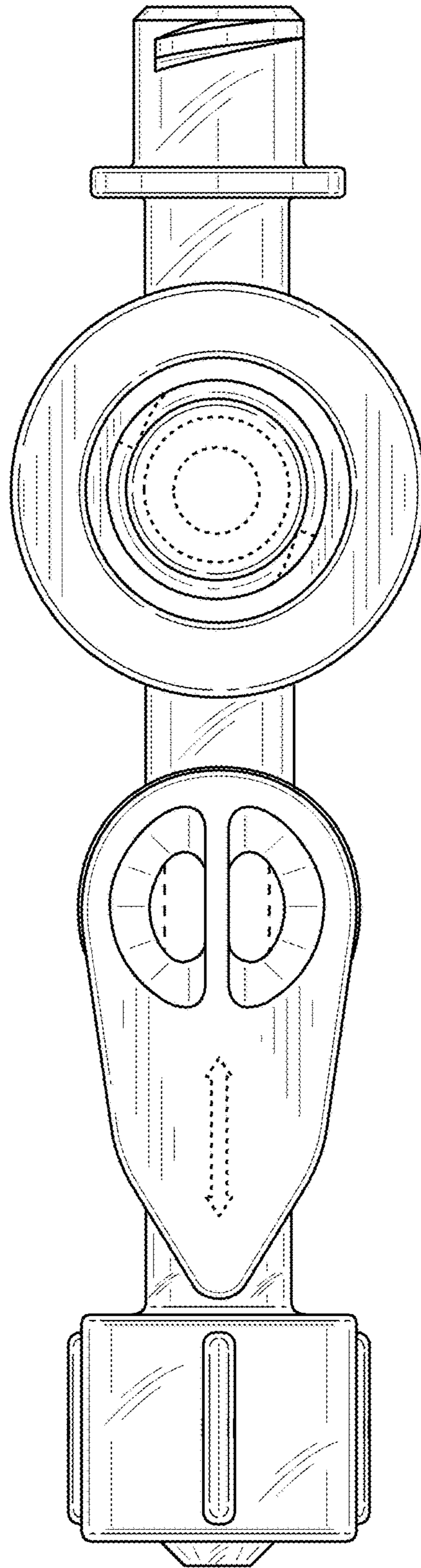




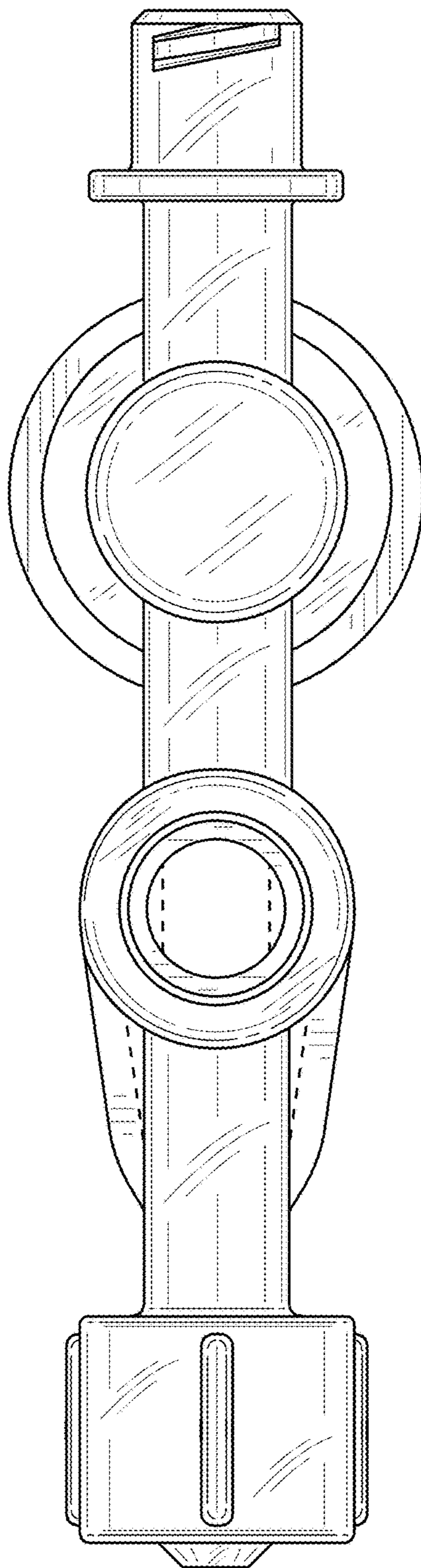
**FIG. 1**



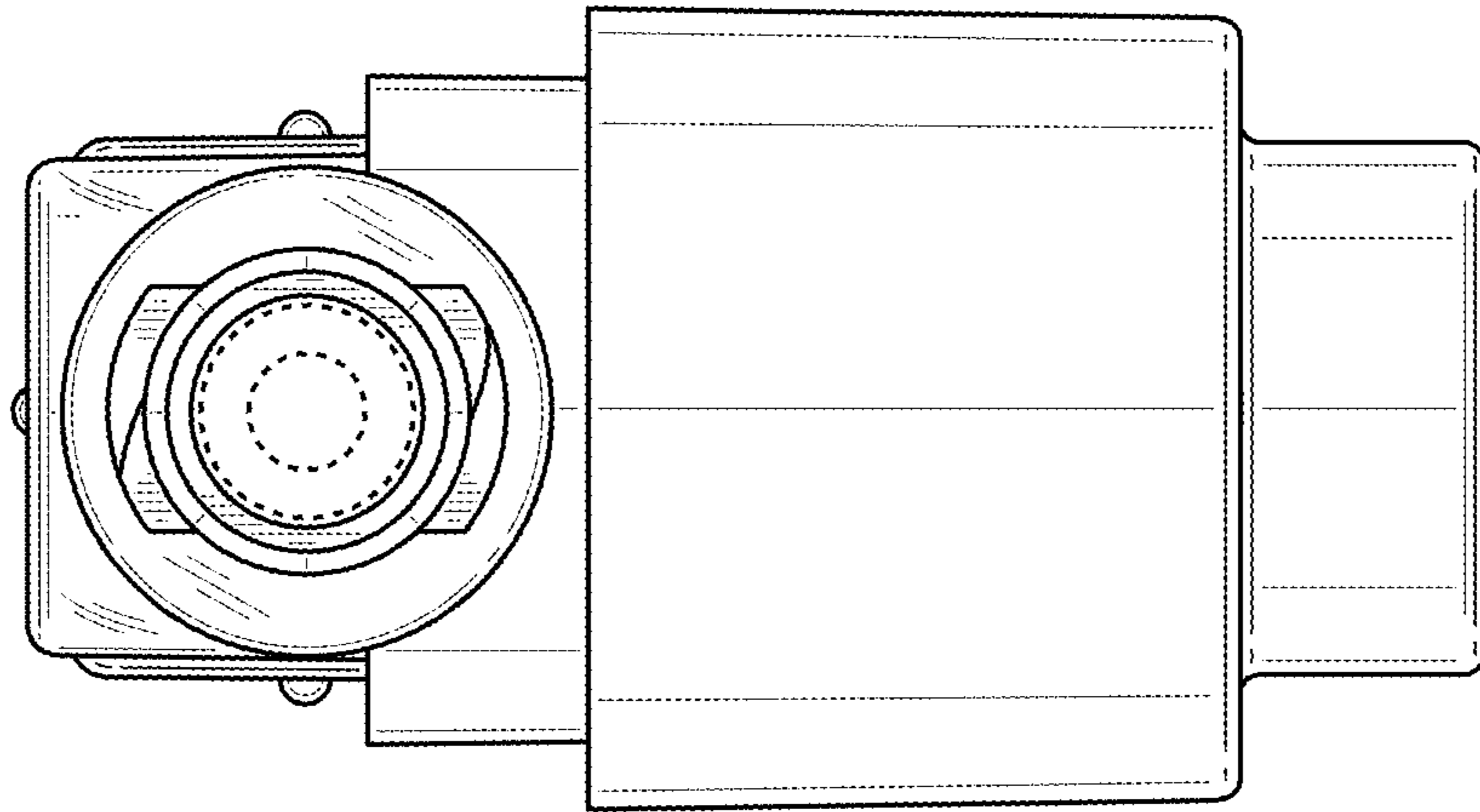
**FIG. 2**



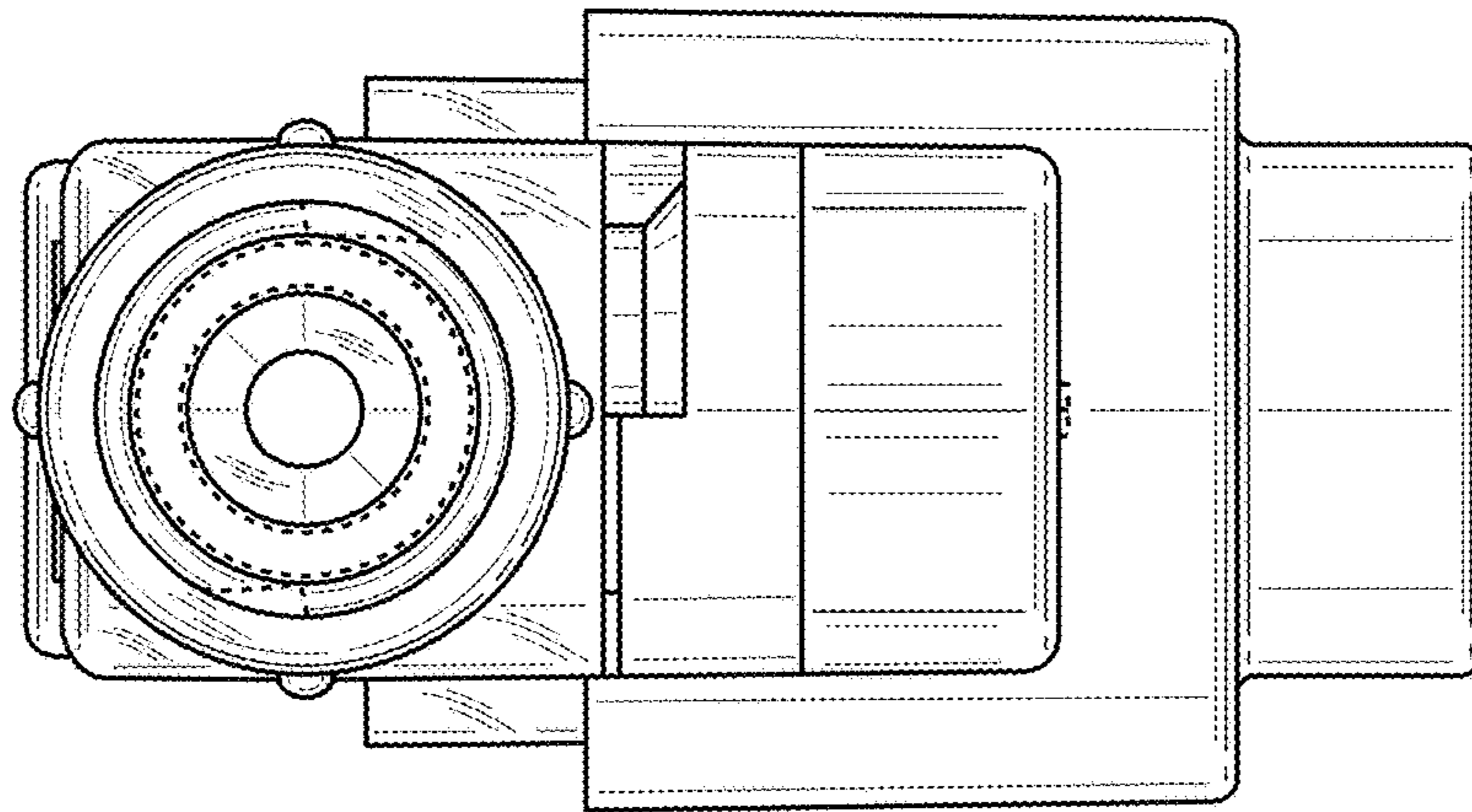
**FIG. 3**



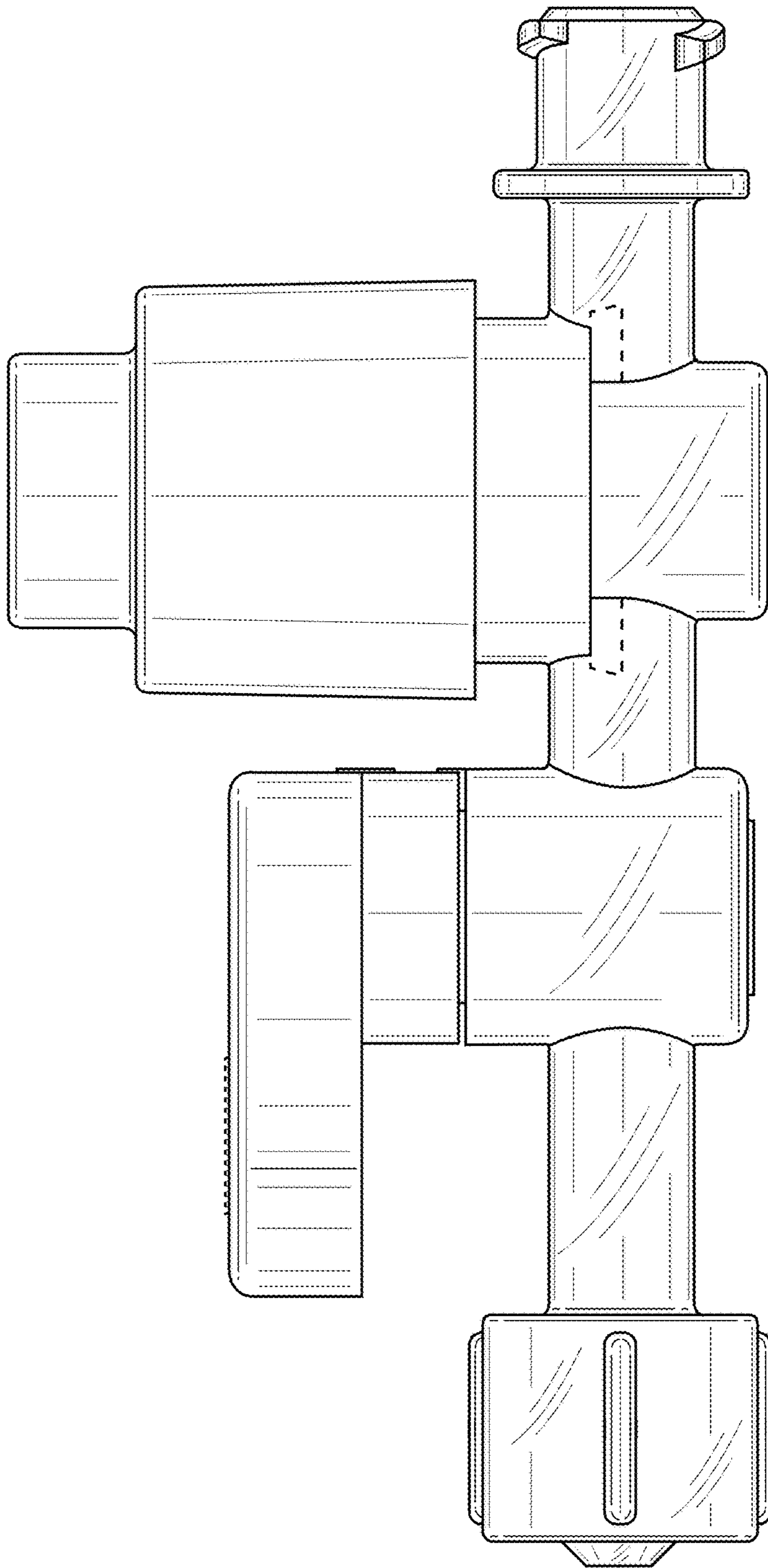
**FIG. 4**



**FIG. 5**

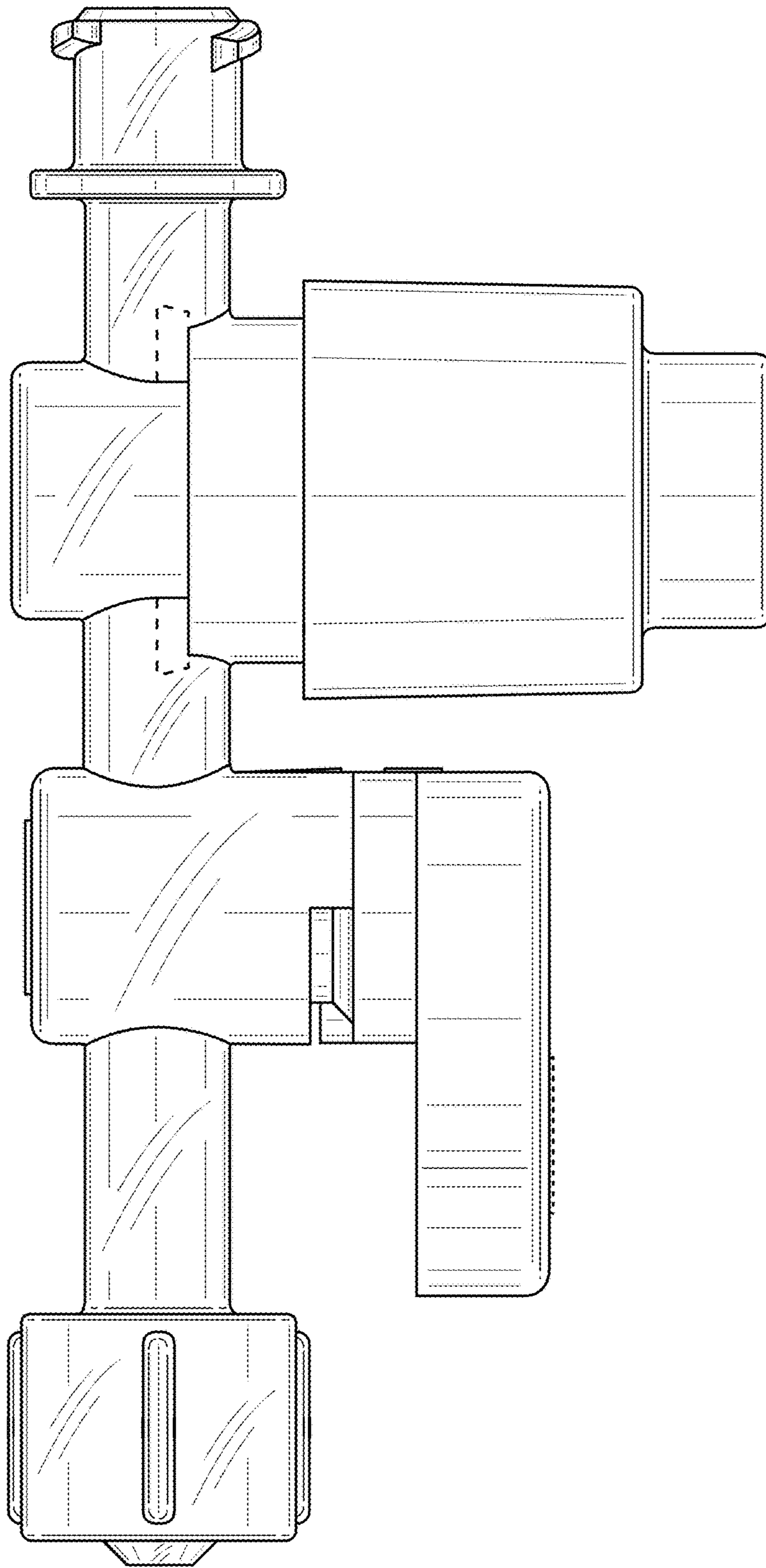


**FIG. 6**



**FIG. 7**





**FIG. 8**

UNITED STATES PATENT AND TRADEMARK OFFICE  
**CERTIFICATE OF CORRECTION**

PATENT NO. : D800,899 S  
APPLICATION NO. : 29/560716  
DATED : October 24, 2017  
INVENTOR(S) : David Preston Adams et al.

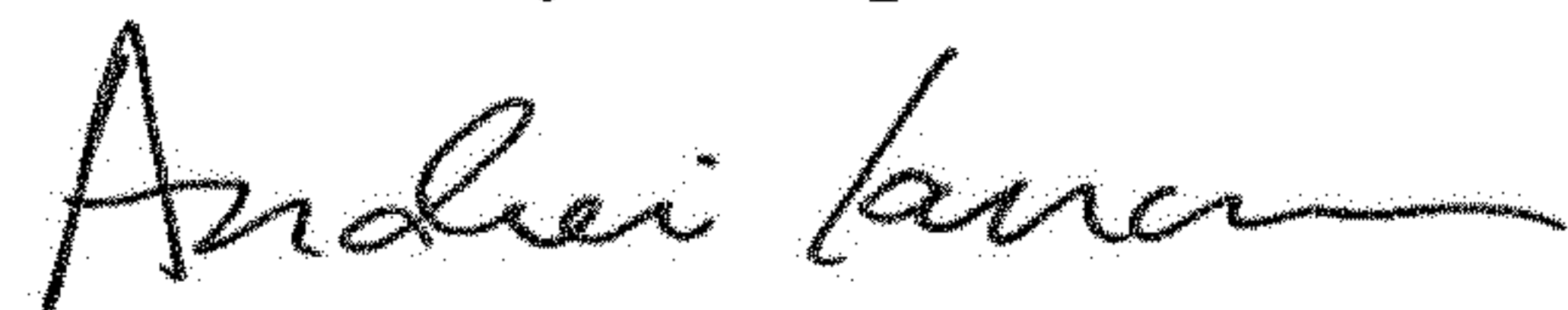
Page 1 of 1

It is certified that error appears in the above-identified patent and that said Letters Patent is hereby corrected as shown below:

On the Title Page

Item (72), please add the following inventor:  
Raymond GRUNEBERG, Warwick, RI (US)

Signed and Sealed this  
Fourth Day of September, 2018



Andrei Iancu  
*Director of the United States Patent and Trademark Office*