



US00D800898S

(12) **United States Design Patent** (10) **Patent No.:** **US D800,898 S**
Sanders et al. (45) **Date of Patent:** **** Oct. 24, 2017**

- (54) **INJECTION DEVICE**
- (71) Applicant: **SANOFI-AVENTIS DEUTSCHLAND GMBH**, Frankfurt am Main (DE)
- (72) Inventors: **David Sanders**, Warwick (GB); **Houda Mihad**, Frankfurt am Main (DE); **Michael Schabbach**, Frankfurt am Main (DE); **Timothy Cloughton**, Congleton (GB)
- (73) Assignee: **Sanofi-Aventis Deutschland GmbH**, Frankfurt am Main (DE)
- (**) Term: **14 Years**
- (21) Appl. No.: **29/526,682**
- (22) Filed: **May 12, 2015**

Related U.S. Application Data

- (62) Division of application No. 29/441,434, filed on Jan. 4, 2013, now Pat. No. Des. 749,719.

Foreign Application Priority Data

- Jul. 5, 2012 (EP) 002 068 791
- (51) **LOC (10) Cl.** **24-02**
- (52) **U.S. Cl.**
USPC **D24/114**
- (58) **Field of Classification Search**
USPC D24/112-114, 127-131, 133, 186;
606/181, 185; 604/264, 272, 115, 232,
604/187, 158, 164.08, 192, 263, 163, 181,
604/184, 198, 227; 600/101, 139, 143;
128/200.24, 207.14, 207.15;
D19/115-123, 177

(Continued)

(56) **References Cited**

U.S. PATENT DOCUMENTS

- 5,645,534 A * 7/1997 Chanoch A61M 5/31535
206/534
- 5,921,966 A * 7/1999 Bendek A61M 5/24
604/207

(Continued)

Primary Examiner — David Muller

Assistant Examiner — Nathan Johnston

(74) *Attorney, Agent, or Firm* — McDonnell Boehnen Hulbert & Berghoff LLP

(57) **CLAIM**

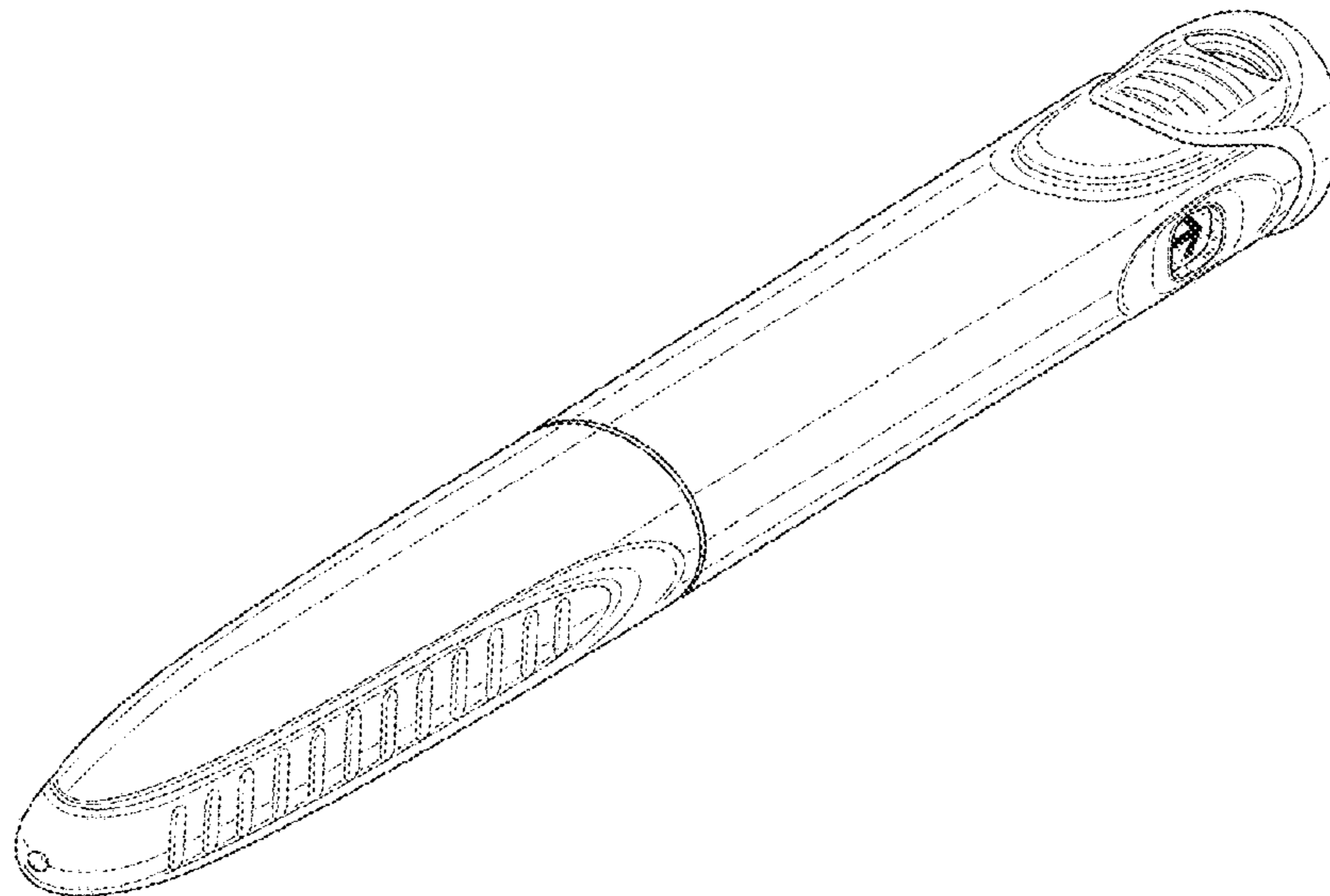
The ornamental design for an injection device, as shown and described.

DESCRIPTION

The patent or application file contains at least one drawing executed in color. Copies of this patent or patent application publication with color drawing(s) will be provided by the Office upon request and payment of the necessary fee.

FIG. 1 is a perspective view of an injection device, showing a first embodiment of our new design;
 FIG. 2 is a front elevation view thereof;
 FIG. 3 is a rear elevation view thereof;
 FIG. 4 is a side elevation view thereof;
 FIG. 5 is an opposite side elevation view thereof;
 FIG. 6 is a top plan view thereof;
 FIG. 7 is a bottom plan view thereof;
 FIG. 8 is a perspective view of an injection device, showing a second embodiment of our new design;
 FIG. 9 is a front elevation view thereof;
 FIG. 10 is a rear elevation view thereof;
 FIG. 11 is a side elevation view thereof;
 FIG. 12 is an opposite side elevation view thereof;
 FIG. 13 is a top plan view thereof; and
 FIG. 14 is a bottom plan view thereof.

1 Claim, 12 Drawing Sheets
(6 of 12 Drawing Sheet(s) Filed in Color)



(58) **Field of Classification Search**
 CPC A61M 5/3156; A61M 5/31591; A61M
 5/3155; A61M 5/3157; A61M 5/24;
 A61M 5/31501; A61M 5/31551; A61M
 5/31585; A61M 2005/2407; A61M
 2005/2492; A61M 2205/581; A61M
 2205/582

See application file for complete search history.

(56) **References Cited**

U.S. PATENT DOCUMENTS

6,001,082 A * 12/1999 Dair A61M 5/31525
 604/187
 D479,603 S * 9/2003 Tyce D19/164
 D501,253 S * 1/2005 Bainton D19/164
 D503,797 S * 4/2005 Tyce D24/114
 D687,543 S * 8/2013 Pala D24/113
 D688,791 S * 8/2013 Guarraia D24/113
 D696,773 S * 12/2013 Schneider D24/113
 D703,314 S * 4/2014 Schneider D24/113
 D714,932 S * 10/2014 Hall D24/112
 D717,940 S * 11/2014 Magome D24/113

D722,158 S * 2/2015 Magome D24/113
 9,005,171 B2 * 4/2015 Jones A61M 5/24
 604/189
 9,095,658 B2 * 8/2015 Wieselblad A61M 5/31551
 9,101,722 B2 * 8/2015 Moller A61M 5/31536
 9,155,842 B2 * 10/2015 Matthias A61M 5/31525
 D749,719 S * 2/2016 Sanders D24/114
 2011/0071471 A1 * 3/2011 Dibiasi A61M 5/3202
 604/111
 2012/0041417 A1 * 2/2012 Searle A61M 5/002
 604/506
 2013/0023830 A1 * 1/2013 Bode A61M 5/24
 604/192
 2014/0012205 A1 * 1/2014 Jugl A61M 5/24
 604/192
 2015/0032059 A1 * 1/2015 Allerdings G06F 19/3468
 604/189
 2015/0038916 A1 * 2/2015 Moller A61M 5/31525
 604/211
 2015/0057619 A1 * 2/2015 Osman A61M 5/24
 604/189
 2015/0202377 A1 * 7/2015 Haupt A61M 5/24
 604/207

* cited by examiner

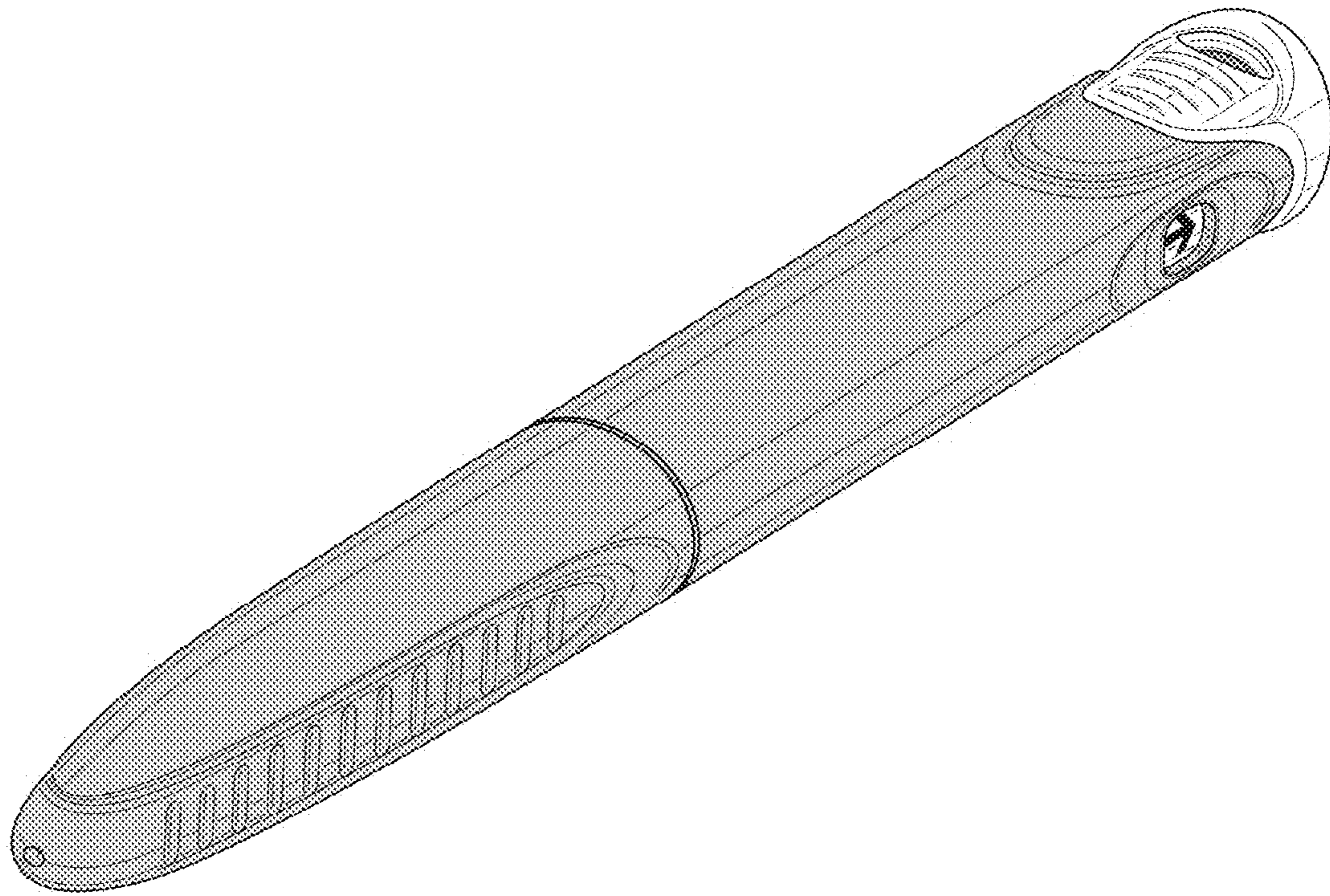


FIG. 1

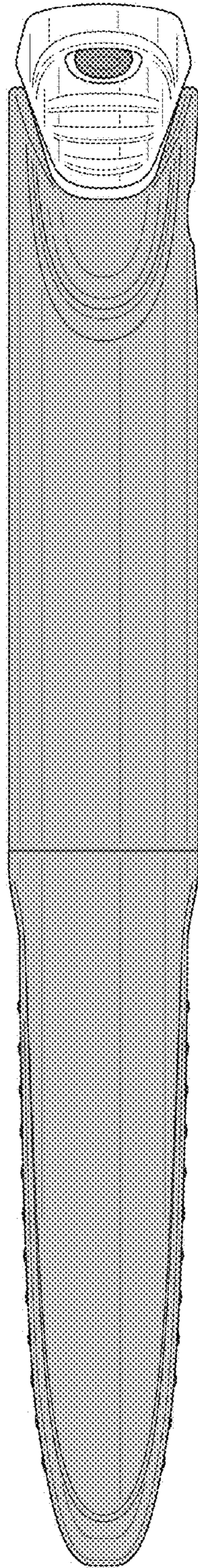


FIG. 2

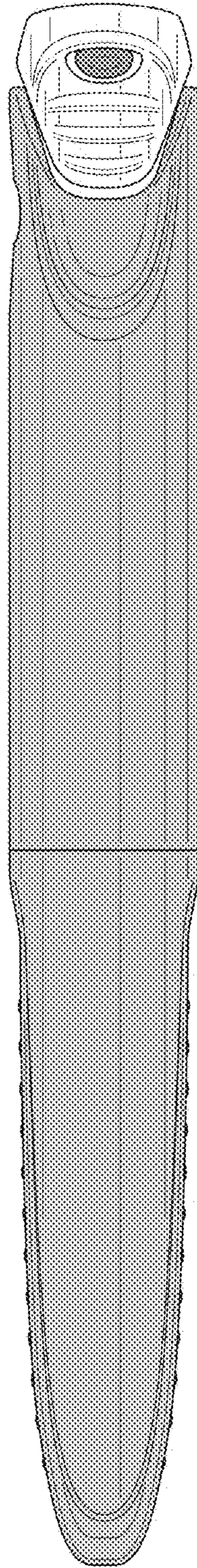


FIG. 3

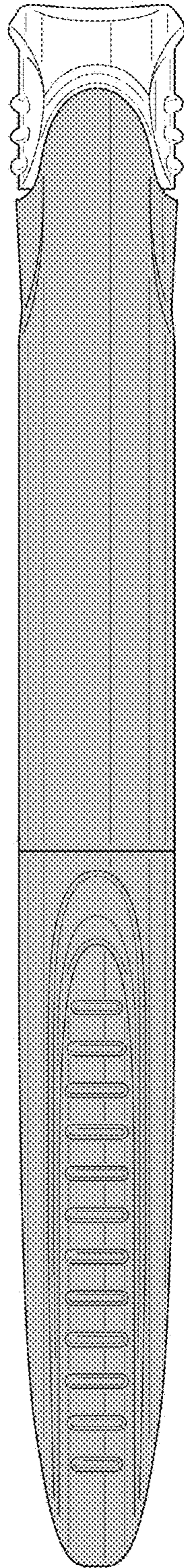


FIG. 4

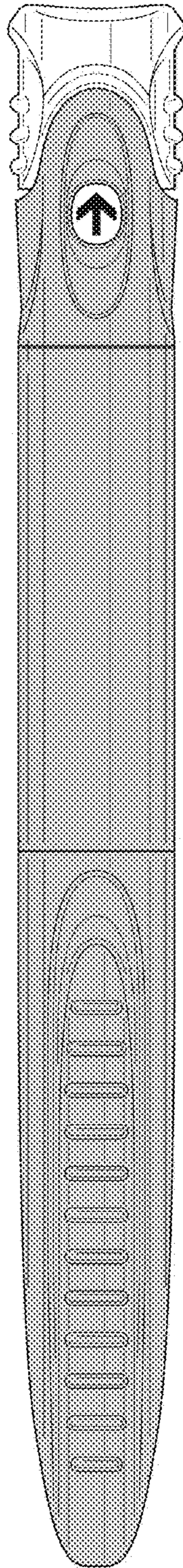


FIG. 5

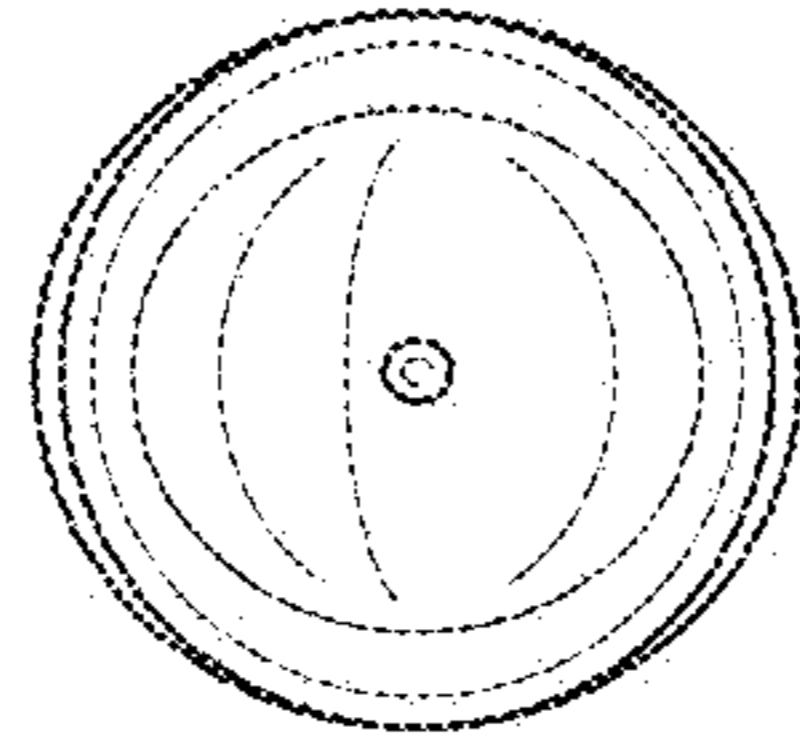


FIG. 6

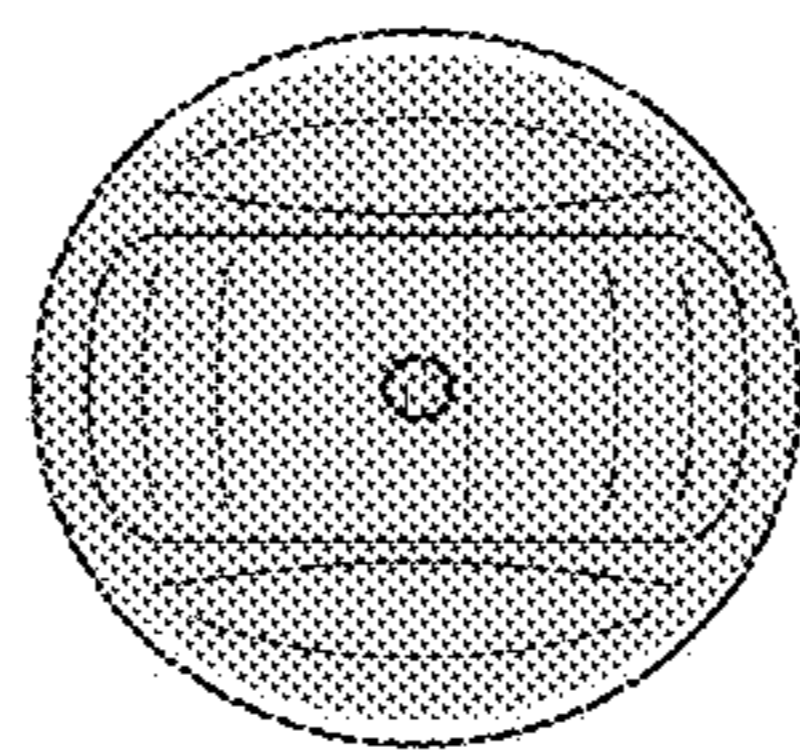


FIG. 7

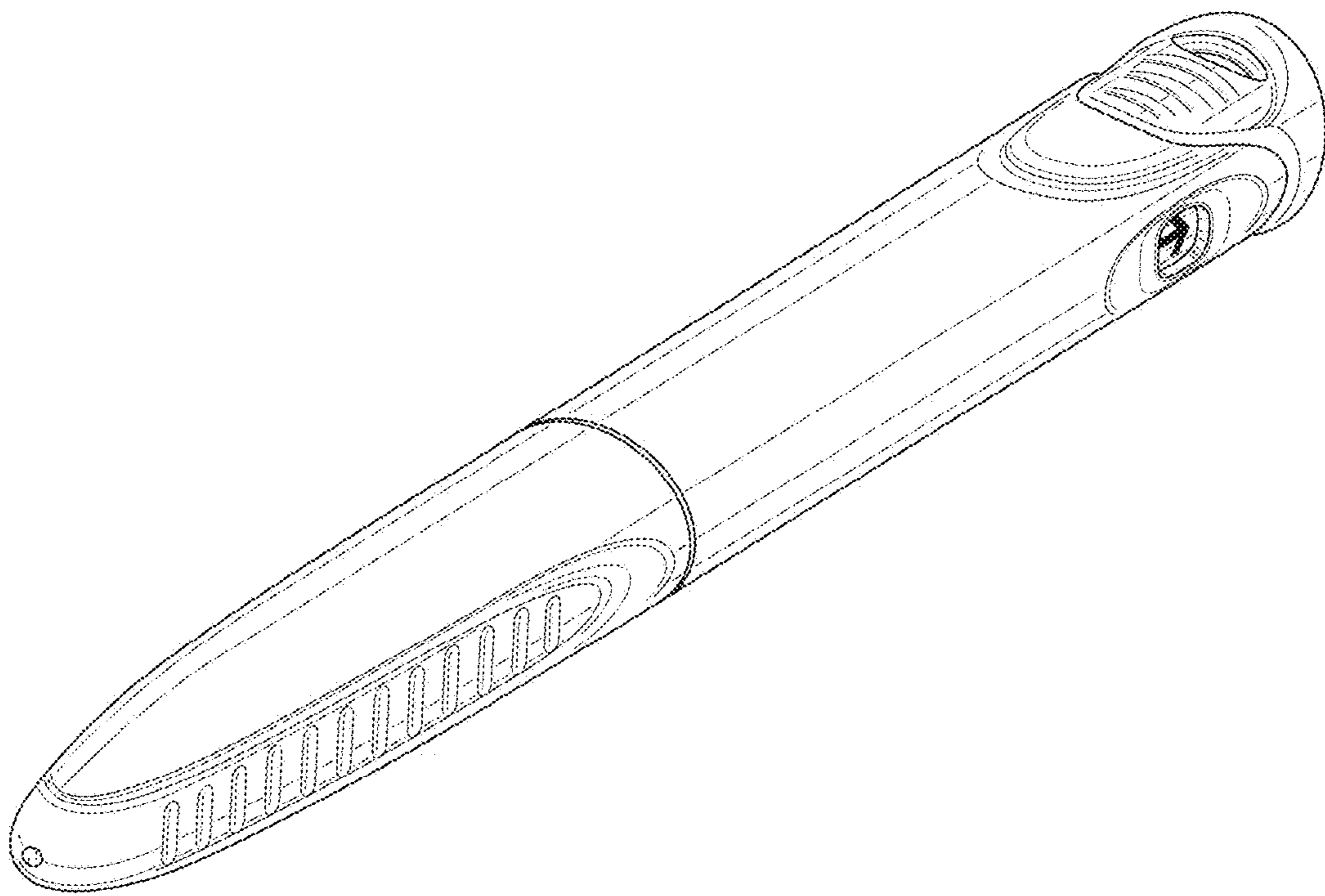


FIG. 8

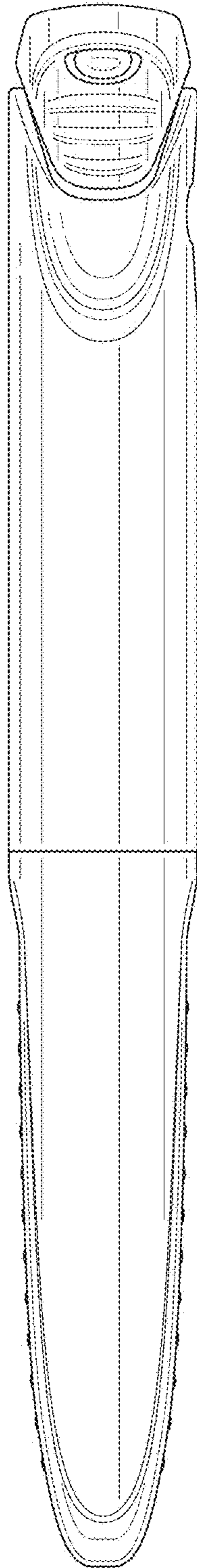


FIG. 9

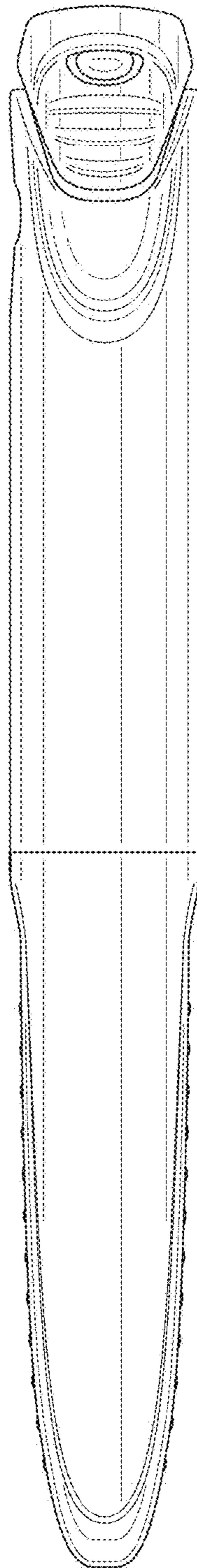


FIG. 10

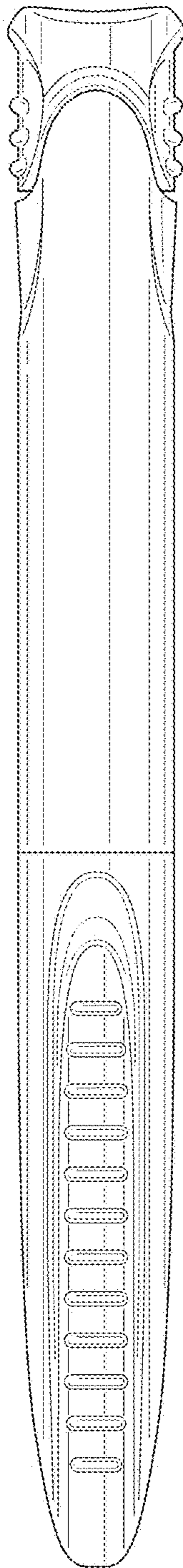


FIG. 11

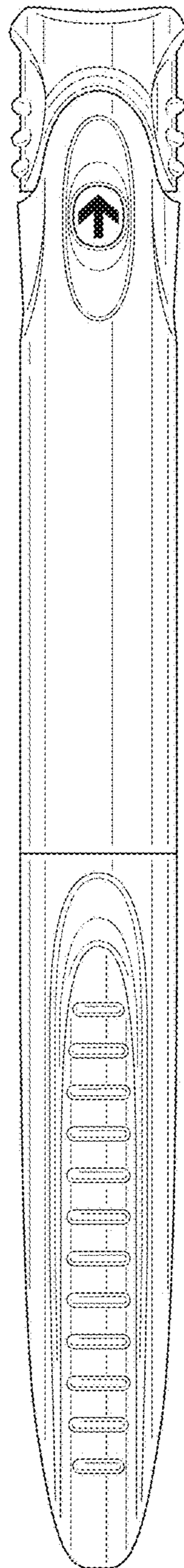


FIG. 12

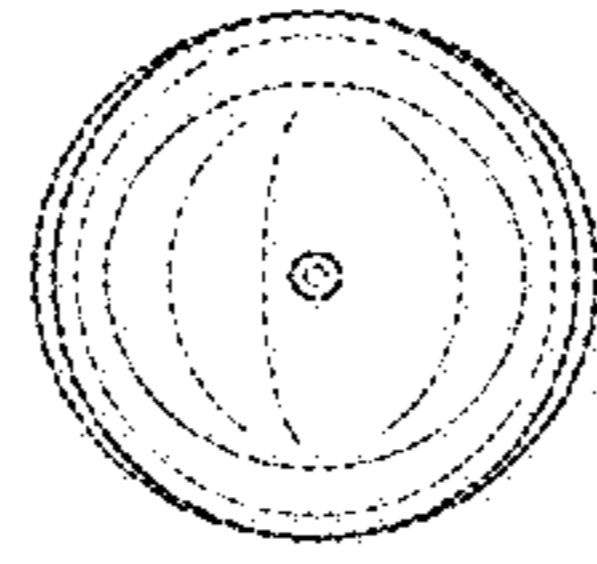


FIG. 13

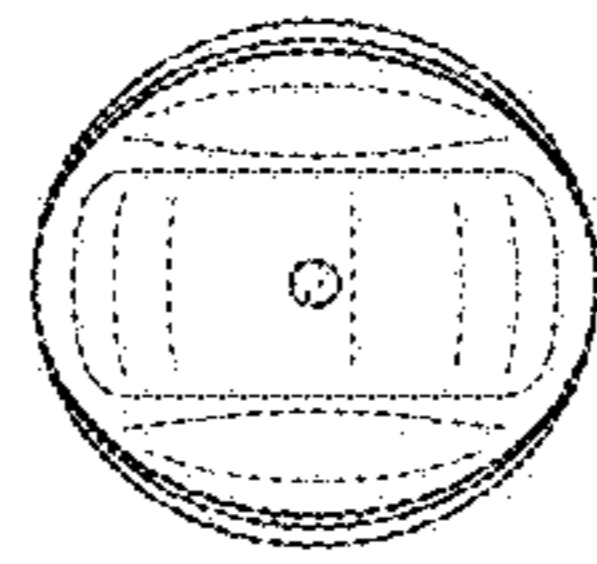


FIG. 14