



US00D800897S

(12) **United States Design Patent** (10) **Patent No.:** **US D800,897 S**
Aneas (45) **Date of Patent:** **** Oct. 24, 2017**

(54) **MEDICINE INJECTOR**

(56) **References Cited**

(71) Applicant: **BIOCORP PRODUCTION**, Issoire (FR)

U.S. PATENT DOCUMENTS

(72) Inventor: **Antoine Aneas**, Menetrol (FR)

D368,961 S *	4/1996	Himbert	D24/112
D455,209 S *	4/2002	Himbert	D24/112
D491,263 S *	6/2004	Hawley	D19/164
D505,490 S *	5/2005	Tyce	D19/164
D543,273 S *	5/2007	Young	D24/114
D619,702 S *	7/2010	Galbraith	D24/114
D628,690 S *	12/2010	Galbraith	D24/114
D667,948 S *	9/2012	Moldenhauer	D24/113
D680,643 S *	4/2013	Schneider	D24/114
D747,465 S *	1/2016	Homsy	D24/112
D749,719 S *	2/2016	Sanders	D24/114
D758,566 S *	6/2016	Chen	D24/113

(**) Term: **15 Years**

(21) Appl. No.: **35/500,190**

(22) Filed: **Sep. 30, 2015**

(80) **Hague Agreement Data**

Int. Filing Date: **Sep. 30, 2015**
Int. Reg. No.: **DM/087691**
Int. Reg. Date: **Sep. 30, 2015**
Int. Reg. Pub. Date: **Oct. 16, 2015**

* cited by examiner

Primary Examiner — Barbara Fox
Assistant Examiner — Eliza Bennett-Hattan
(74) *Attorney, Agent, or Firm* — Stephen J. Weyer, Esq.;
Stites & Harbison, PLLC.

(30) **Foreign Application Priority Data**

Apr. 30, 2015 (EM) 002692772-0001

(51) **LOC (10) Cl.** **24-02**

(52) **U.S. Cl.**
USPC **D24/113**

(58) **Field of Classification Search**
USPC D24/108, 11, 112, 137, 133, 214, 138,
D24/177, 147, 222, 119, 141, 113, 223;
D8/25, 107, 300, 303
CPC A61M 2005/3132; A61M 39/223; A61M
5/1408; A61M 5/31596; A61M 5/30;
A61M 2005/3104; A61M 2005/3267;
A61M 2205/18; A61M 2205/35; A61M
2205/50; A61M 2205/8206; A61M
5/14566; A61M 5/31581

See application file for complete search history.

(57) **CLAIM**

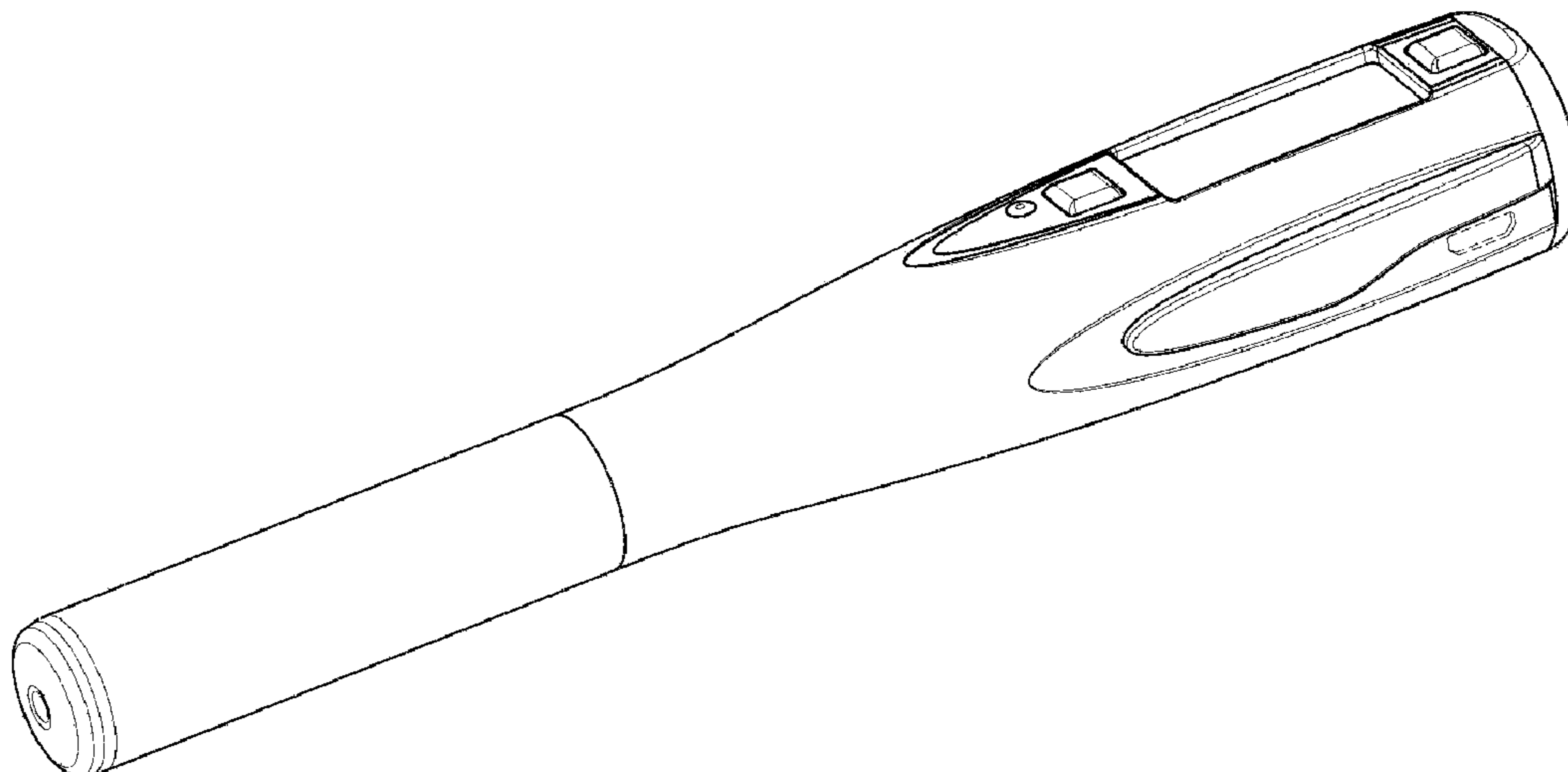
The ornamental design for a medicine injector, as shown and described.

DESCRIPTION

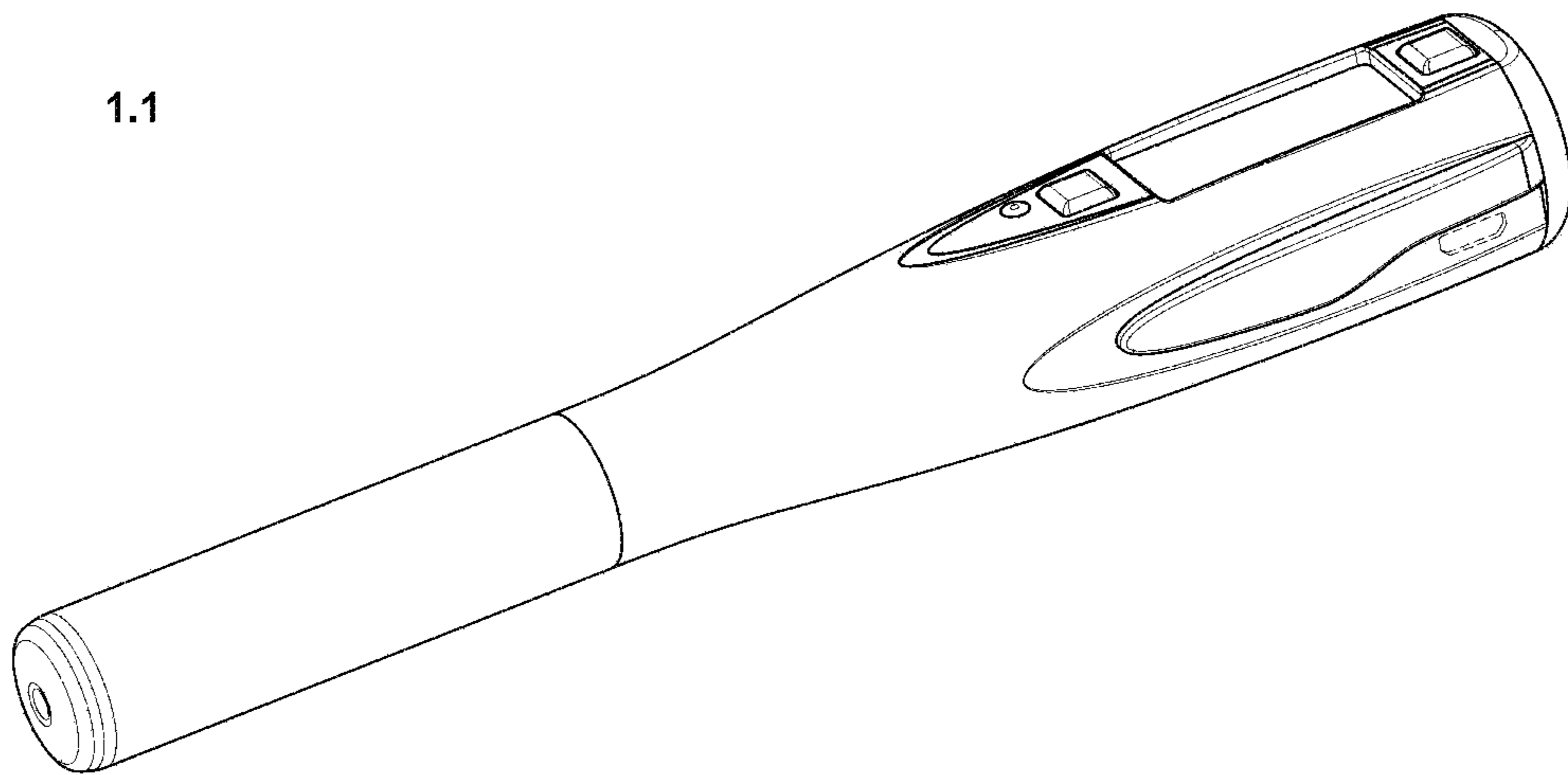
- 1. Medicine injector
- 1.1 : Perspective
- 1.2 : Front
- 1.3 : Back
- 1.4 : Right
- 1.5 : Left
- 1.6 : Top
- 1.7 : Bottom

The broken lines shown in the drawings illustrate portions of the medicine injector that form no part of the claimed design.

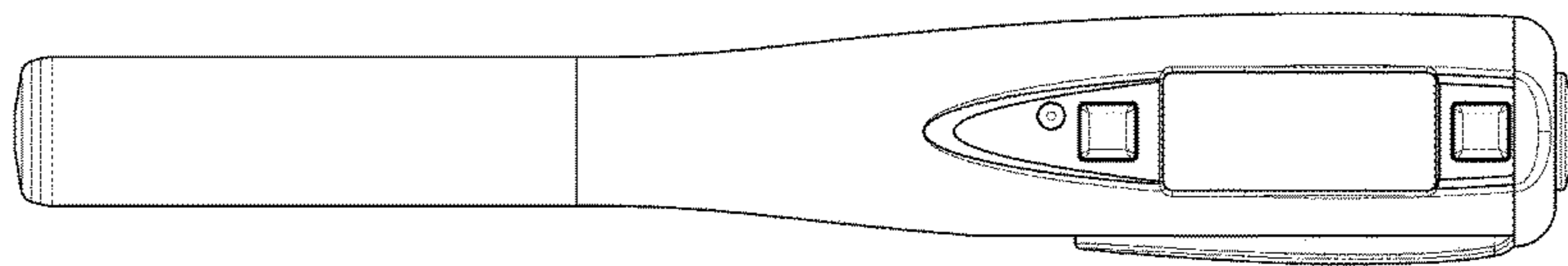
1 Claim, 7 Drawing Sheets



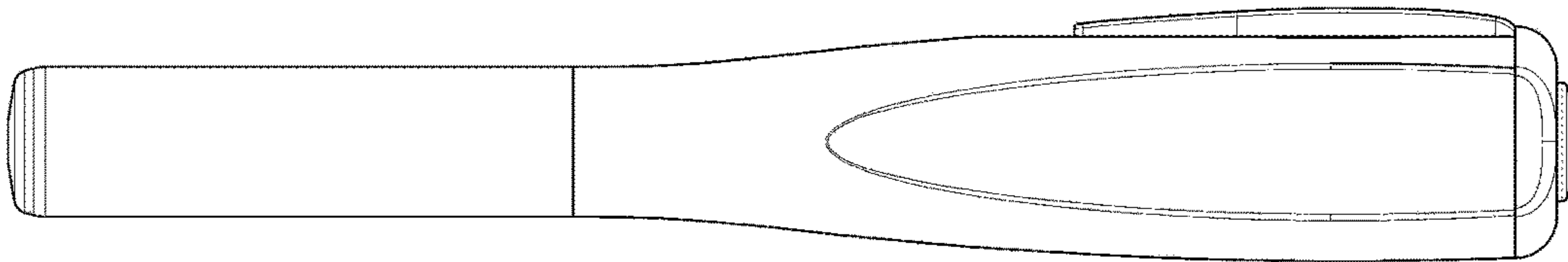
1.1



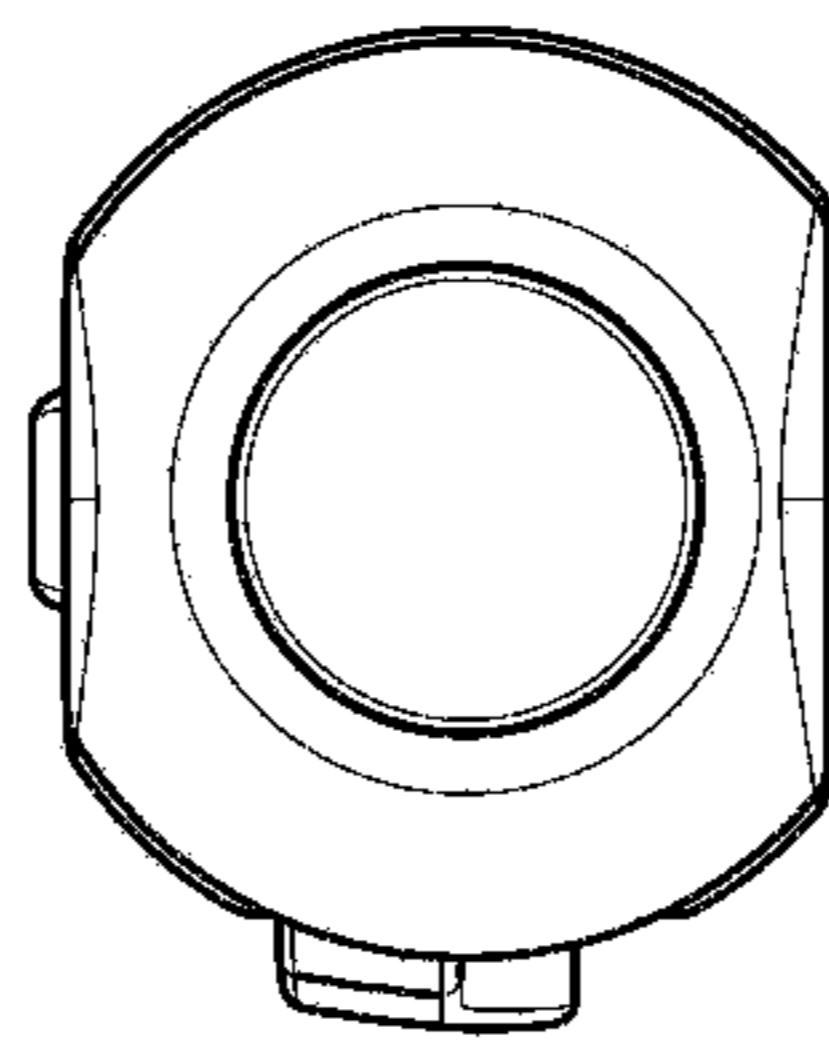
1.2



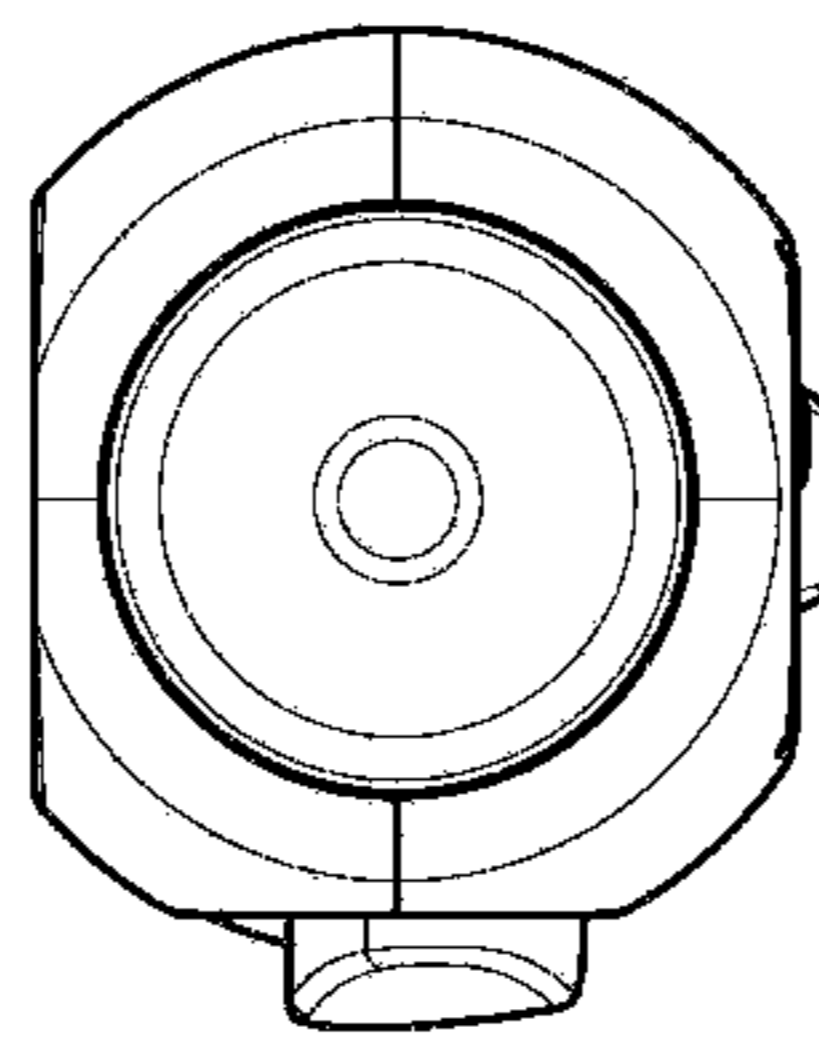
1.3



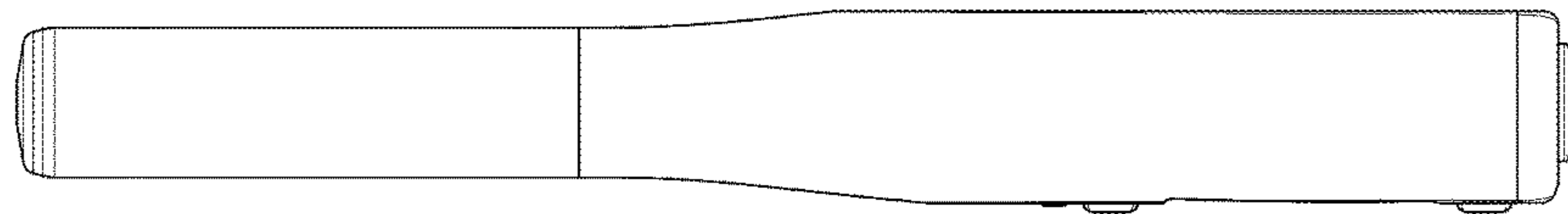
1.4



1.5



1.6



1.7

