



US00D800896S

(12) **United States Design Patent**
Roberts et al.

(10) **Patent No.:** **US D800,896 S**

(45) **Date of Patent:** **** Oct. 24, 2017**

(54) **WATER FLOSSER TIP HAVING A
CONTAINER FOR TREATMENT TABLETS**

(71) Applicants: **David Roberts**, San Marcos, CA (US);
Ronald Welch, San Marcos, CA (US)

(72) Inventors: **David Roberts**, San Marcos, CA (US);
Ronald Welch, San Marcos, CA (US)

(**) Term: **15 Years**

(21) Appl. No.: **29/538,662**

(22) Filed: **Sep. 4, 2015**

(51) **LOC (10) Cl.** **24-02**

(52) **U.S. Cl.**
USPC **D24/111**

(58) **Field of Classification Search**
USPC D24/111, 112, 152; D4/101, 138
CPC . A61C 17/02; A61C 17/0202; A61C 17/0214;
A61C 17/028; A61C 19/06; A61C
19/063; A46B 2200/1066
See application file for complete search history.

(56) **References Cited**

U.S. PATENT DOCUMENTS

- 4,442,831 A * 4/1984 Trenary A61H 13/005
601/162
- 4,452,238 A * 6/1984 Kerr A61H 13/005
222/133
- 4,958,751 A * 9/1990 Curtis A61C 19/06
222/192
- D417,913 S * 12/1999 Szarmach D24/152
- D432,654 S * 10/2000 Phung D24/152
- D435,651 S * 12/2000 Hartwein D24/111
- 2007/0080240 A1* 4/2007 Schuetz A61C 3/025
239/310

- 2007/0202459 A1* 8/2007 Boyd A61C 17/02
433/80
- 2009/0305187 A1* 12/2009 Janssen A61C 17/0202
433/88
- 2010/0190132 A1* 7/2010 Taylor A61C 17/0202
433/80
- 2012/0021374 A1* 1/2012 Cacka A61C 17/02
433/82
- 2012/0183926 A1* 7/2012 Shalev A61C 17/028
433/215
- 2012/0282570 A1* 11/2012 Mueller A61C 3/025
433/88
- 2013/0089832 A1* 4/2013 Lee A61C 17/0202
433/82
- 2015/0118644 A1* 4/2015 Cohen Tanugi ... A61C 17/0214
433/88
- 2015/0282909 A1* 10/2015 Roberts A61C 19/063
433/88

* cited by examiner

Primary Examiner — Barbara Fox
Assistant Examiner — Lilyana Bekic
(74) *Attorney, Agent, or Firm* — Donn K. Harms

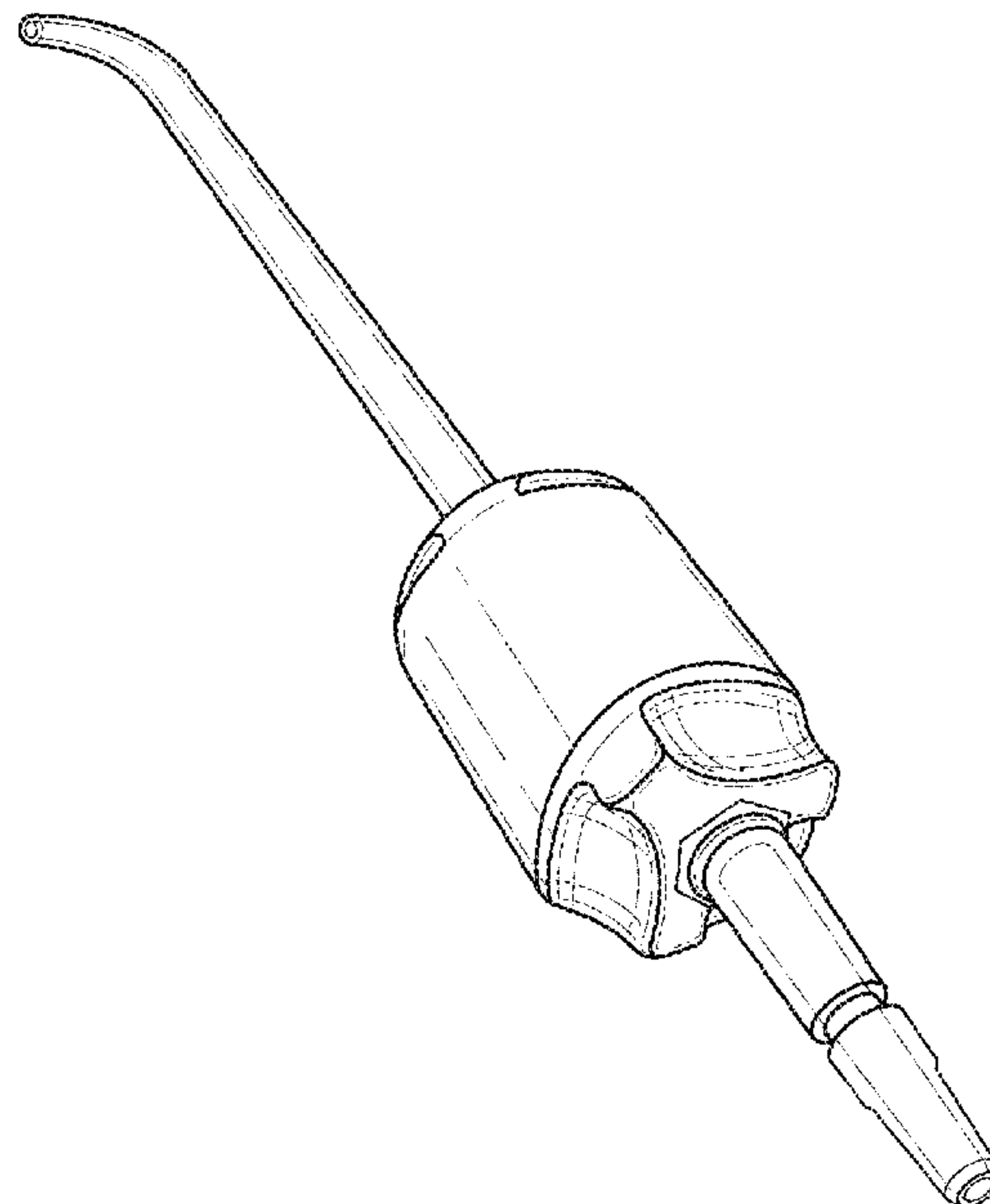
(57) **CLAIM**

The ornamental design for a water flosser tip having a container for treatment tablets, as shown and described.

DESCRIPTION

FIG. 1 is an isometric view of a water flosser tip having a container for treatment tablets showing our design;
FIG. 2 is a top plan view thereof;
FIG. 3 is a bottom plan view thereof; and,
FIG. 4 is a left side elevation view thereof.

1 Claim, 1 Drawing Sheet



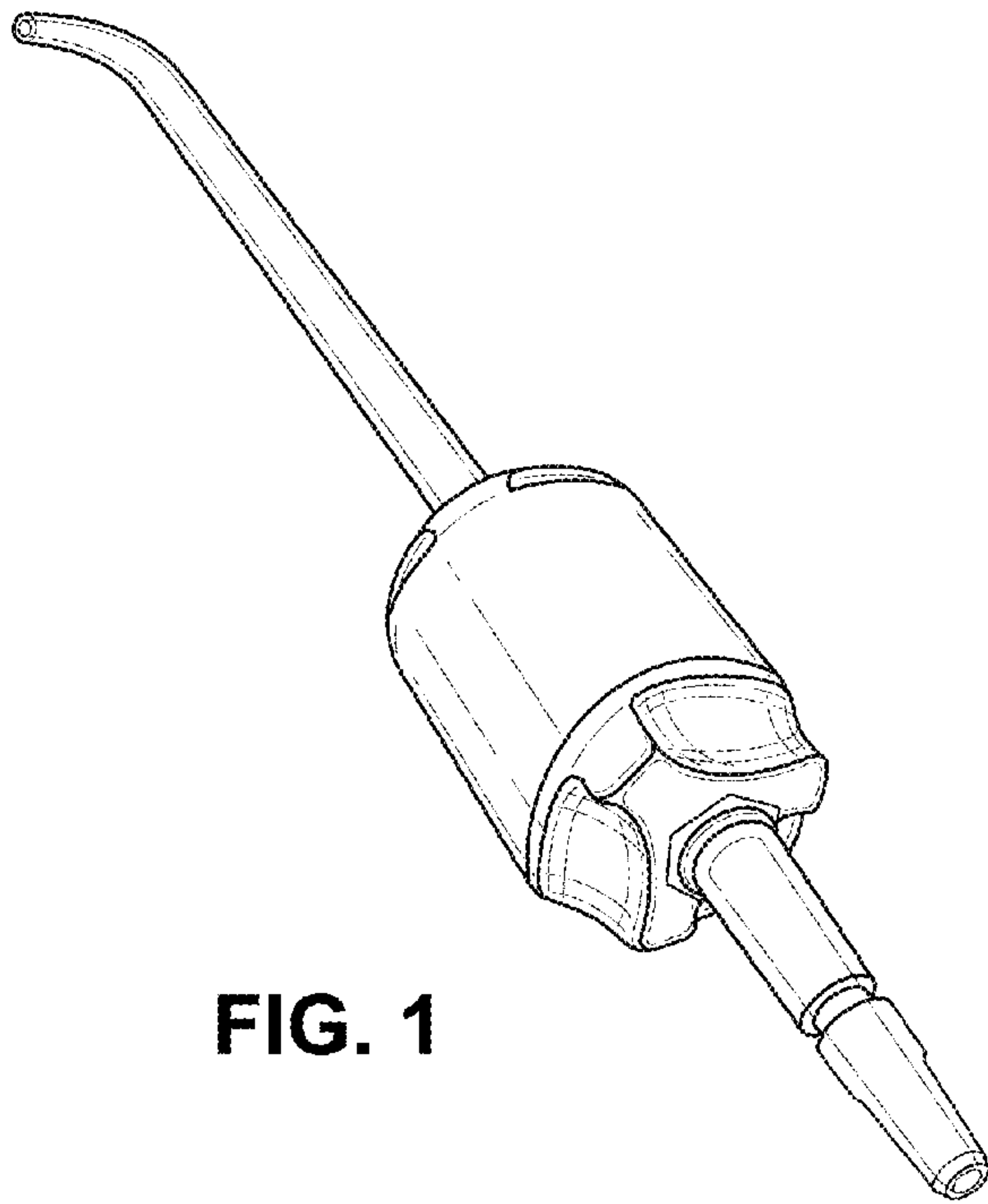


FIG. 1

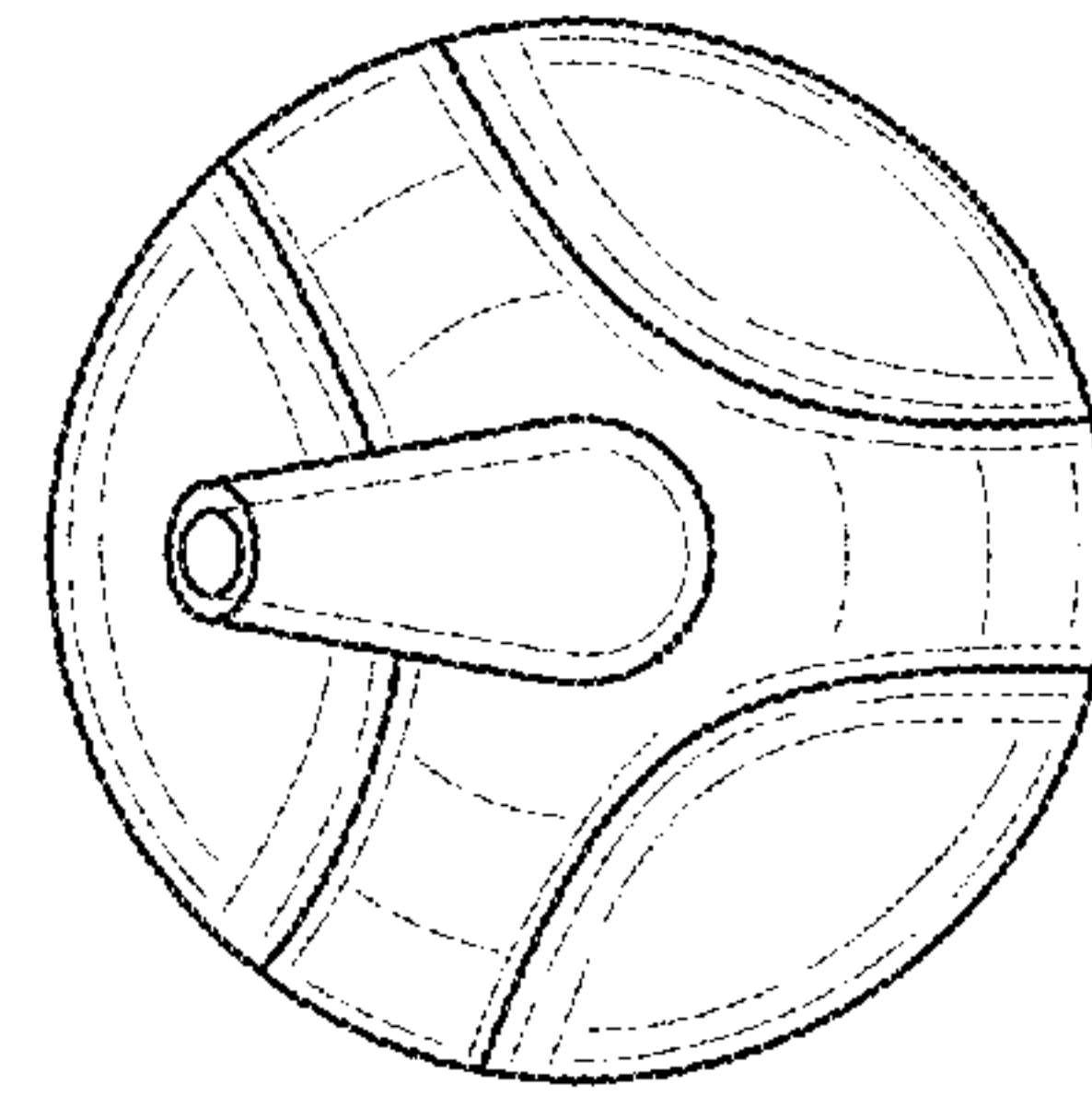


FIG. 2

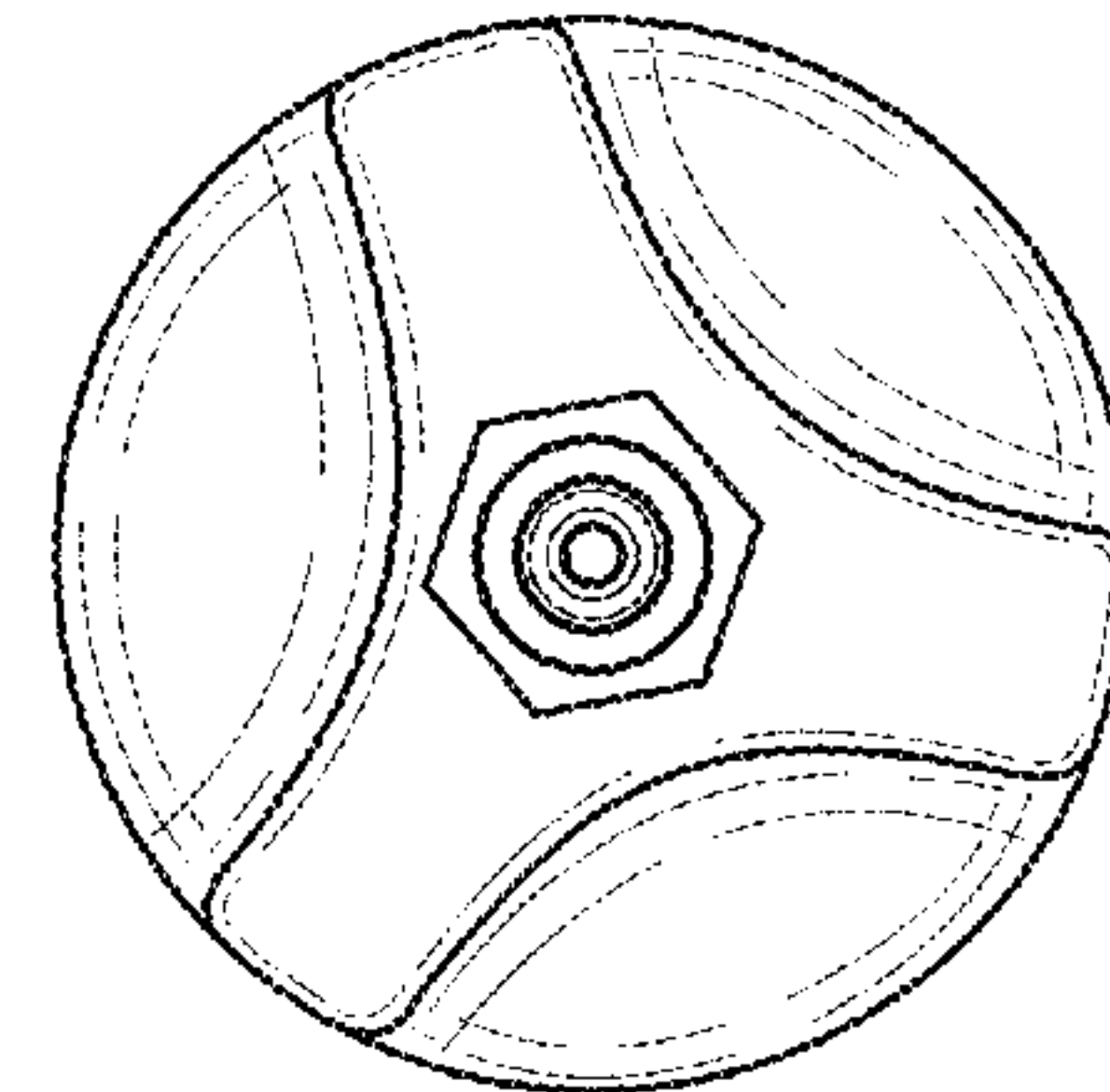


FIG. 3

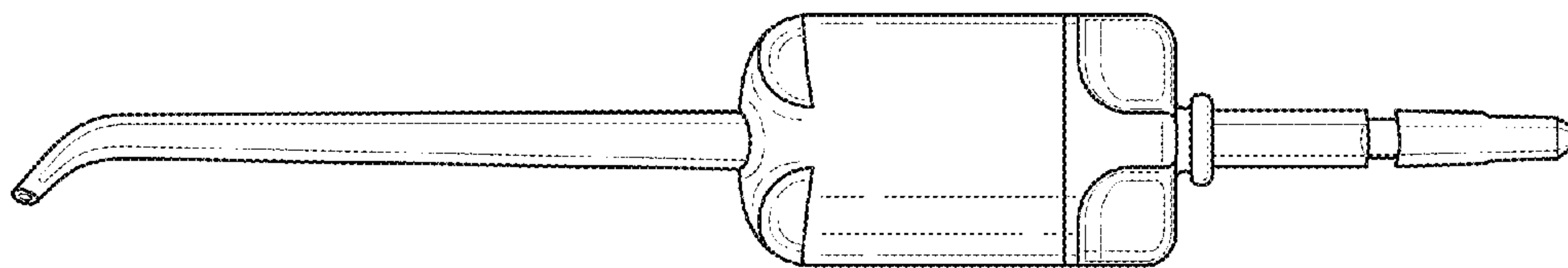


FIG. 4