



US00D800883S

(12) **United States Design Patent**
Trask

(10) **Patent No.:** **US D800,883 S**

(45) **Date of Patent:** **** Oct. 24, 2017**

(54) **AIR CLEANER**

(71) Applicant: **Nick Trask**, Phoenix, AZ (US)

(72) Inventor: **Nick Trask**, Phoenix, AZ (US)

(**) Term: **15 Years**

(21) Appl. No.: **29/562,231**

(22) Filed: **Apr. 23, 2016**

(51) **LOC (10) Cl.** **23-04**

(52) **U.S. Cl.**

USPC **D23/365**; D15/5

(58) **Field of Classification Search**

USPC D15/1-6; D12/110; D23/209, 303, 341,
D23/354, 358, 363, 364, 365, 386

CPC .. F02M 19/00; F02M 17/46; F02M 35/02416;
F02M 35/0201; F02M 35/02; F02M
35/024; B01D 46/0002; B01D 46/0004;
B01D 46/2422; B01D 2046/2488

See application file for complete search history.

(56) **References Cited**

U.S. PATENT DOCUMENTS

D400,323 S *	10/1998	Scanlon	D32/30
D401,684 S *	11/1998	Shelton	D23/365
D403,414 S *	12/1998	Shelton	D23/365
D438,214 S *	2/2001	Gieseke	D15/5
D449,678 S *	10/2001	Ng-Gee-Quan	D23/365
D470,216 S *	2/2003	Gustafson	D23/209
D471,623 S *	3/2003	Gieseke	D23/365
6,833,023 B1 *	12/2004	Vandenberghe	B01D 29/906 55/337
6,942,708 B2 *	9/2005	Peter	B01D 46/0024 55/282.2
D533,265 S *	12/2006	Fiello	D23/365
7,374,595 B2 *	5/2008	Gierer	A47L 9/127 55/498
7,964,011 B2 *	6/2011	DeLillo	B01D 46/001 55/498
D652,497 S *	1/2012	Troxell	D23/365

8,292,984 B2 *	10/2012	Baseotto	B01D 46/0024 55/498
D674,464 S *	1/2013	Wilder	D23/209
D691,252 S *	10/2013	Moredock	D23/365
8,752,533 B2 *	6/2014	Schultz	F02M 25/06 123/198 E
D713,023 S *	9/2014	Chen	D23/365
D717,420 S *	11/2014	Von Seggern	D23/365
8,960,171 B1 *	2/2015	Sinden	F02M 19/00 123/590
D736,263 S *	8/2015	Schultz	D15/5
D739,513 S *	9/2015	Williams	D23/365
D744,626 S *	12/2015	Leatzow	D23/365

(Continued)

Primary Examiner — Darlington Ly

(74) *Attorney, Agent, or Firm* — Ice Miller LLP

(57) **CLAIM**

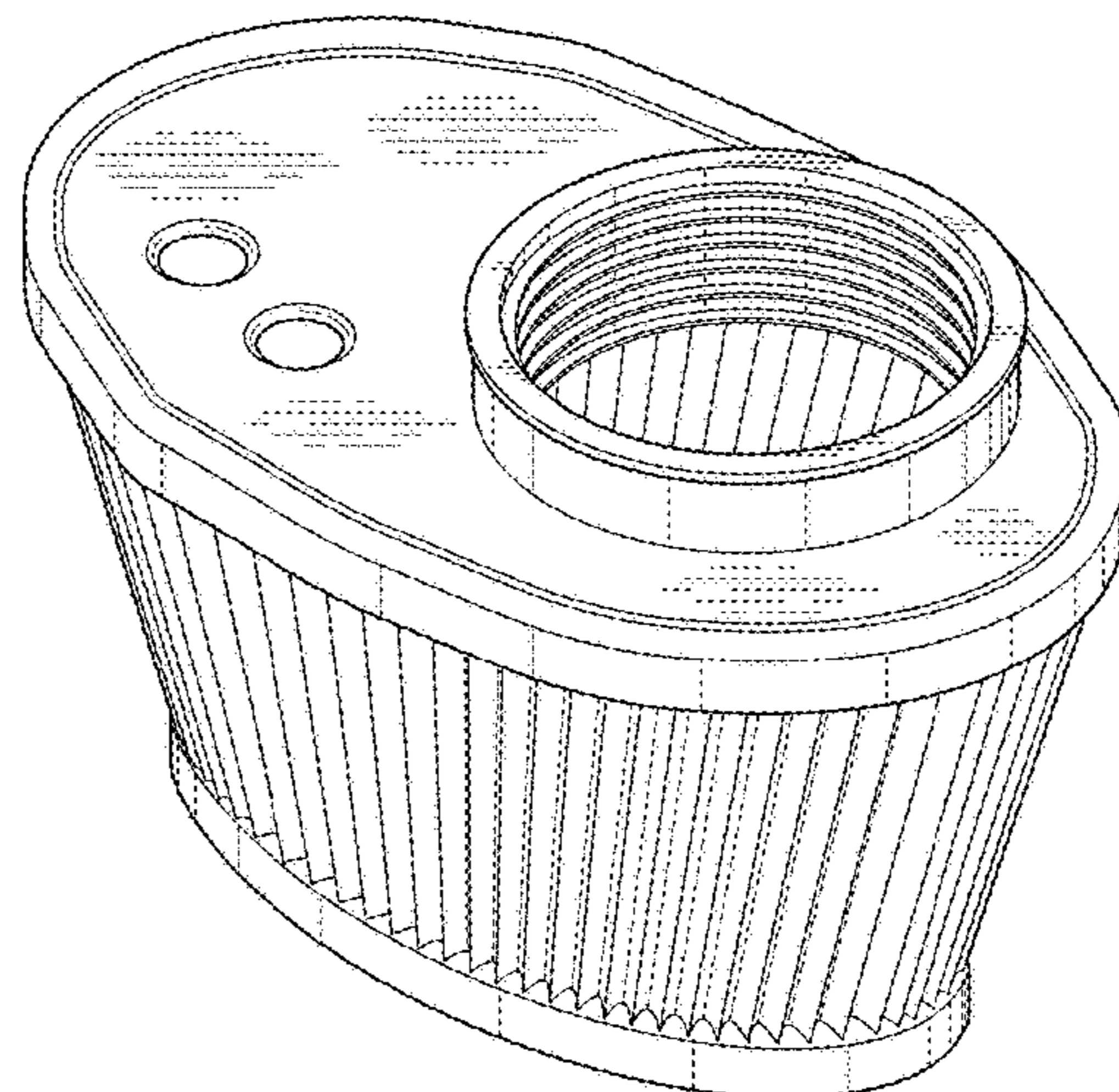
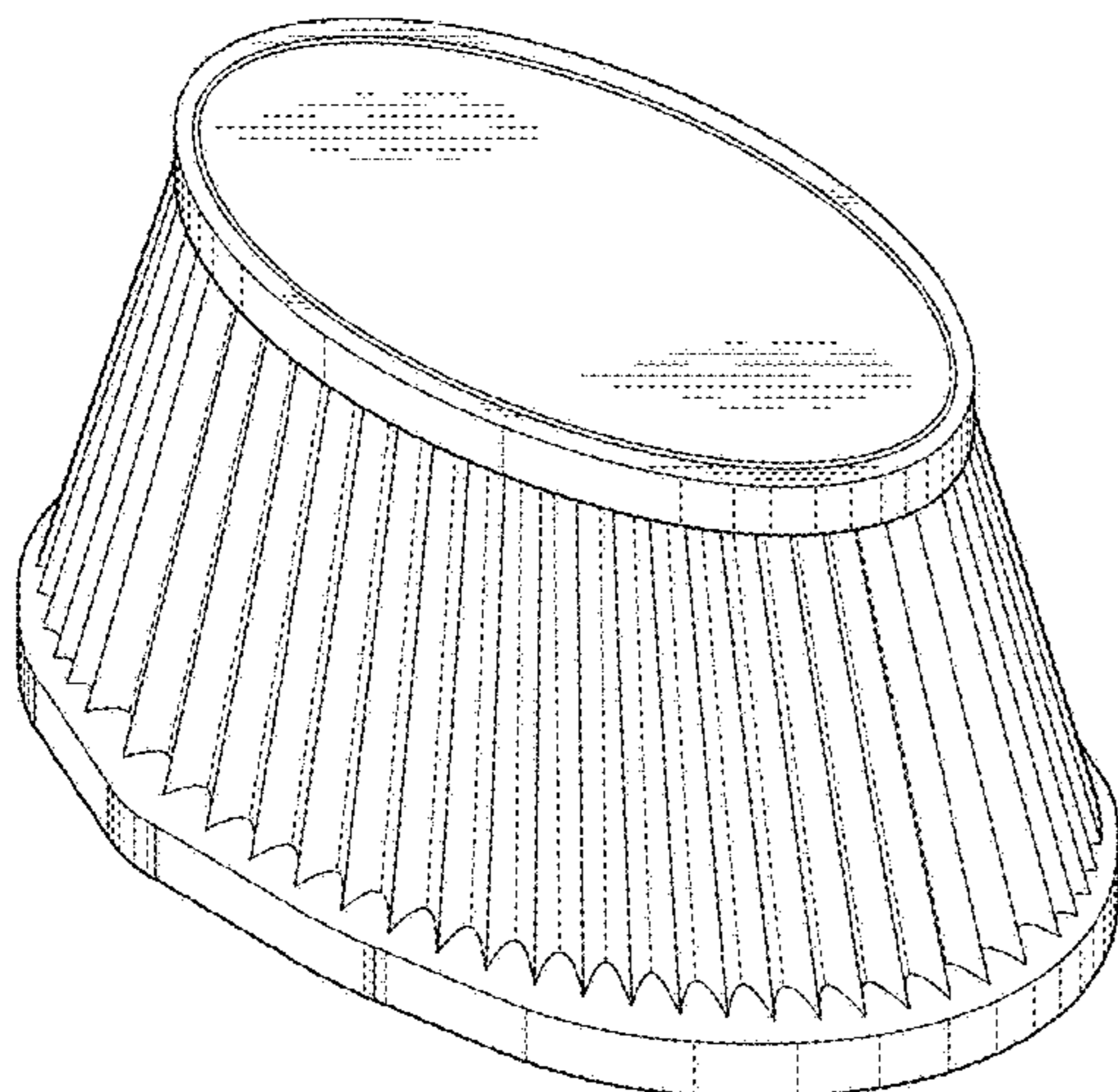
The ornamental design for an air cleaner, as shown and described.

DESCRIPTION

FIG. 1 is a top perspective view of the air cleaner;
 FIG. 2 is a bottom perspective view of the air cleaner;
 FIG. 3 is a right side elevation view of the air cleaner;
 FIG. 4 is a left side elevation view of the air cleaner;
 FIG. 5 is a front elevation view of the air cleaner;
 FIG. 6 is a rear elevation view of the air cleaner;
 FIG. 7 is a bottom plan view of the air cleaner;
 FIG. 8 is a top plan view of the air cleaner;
 FIG. 9 is a top perspective view of the air cleaner installed in a motorcycle;
 FIG. 10 is a left side elevation view of the air cleaner installed in a motorcycle; and,
 FIG. 11 is a top plan view of the air cleaner installed in a motorcycle.

The motorcycle shown in broken lines is provided for the purposes of illustrating environmental structure and forms no part of the claimed design.

1 Claim, 8 Drawing Sheets



(56)

References Cited

U.S. PATENT DOCUMENTS

D746,969 S *	1/2016	Leatzow	D23/365
D761,946 S *	7/2016	Francis	D23/365
D767,746 S *	9/2016	Moredock	D23/365
D768,277 S *	10/2016	Moredock	D23/365
D768,833 S *	10/2016	Moredock	D23/365
D770,026 S *	10/2016	Morgan	B01D 46/0005 D23/365
D777,211 S *	1/2017	Wall	D15/5

* cited by examiner

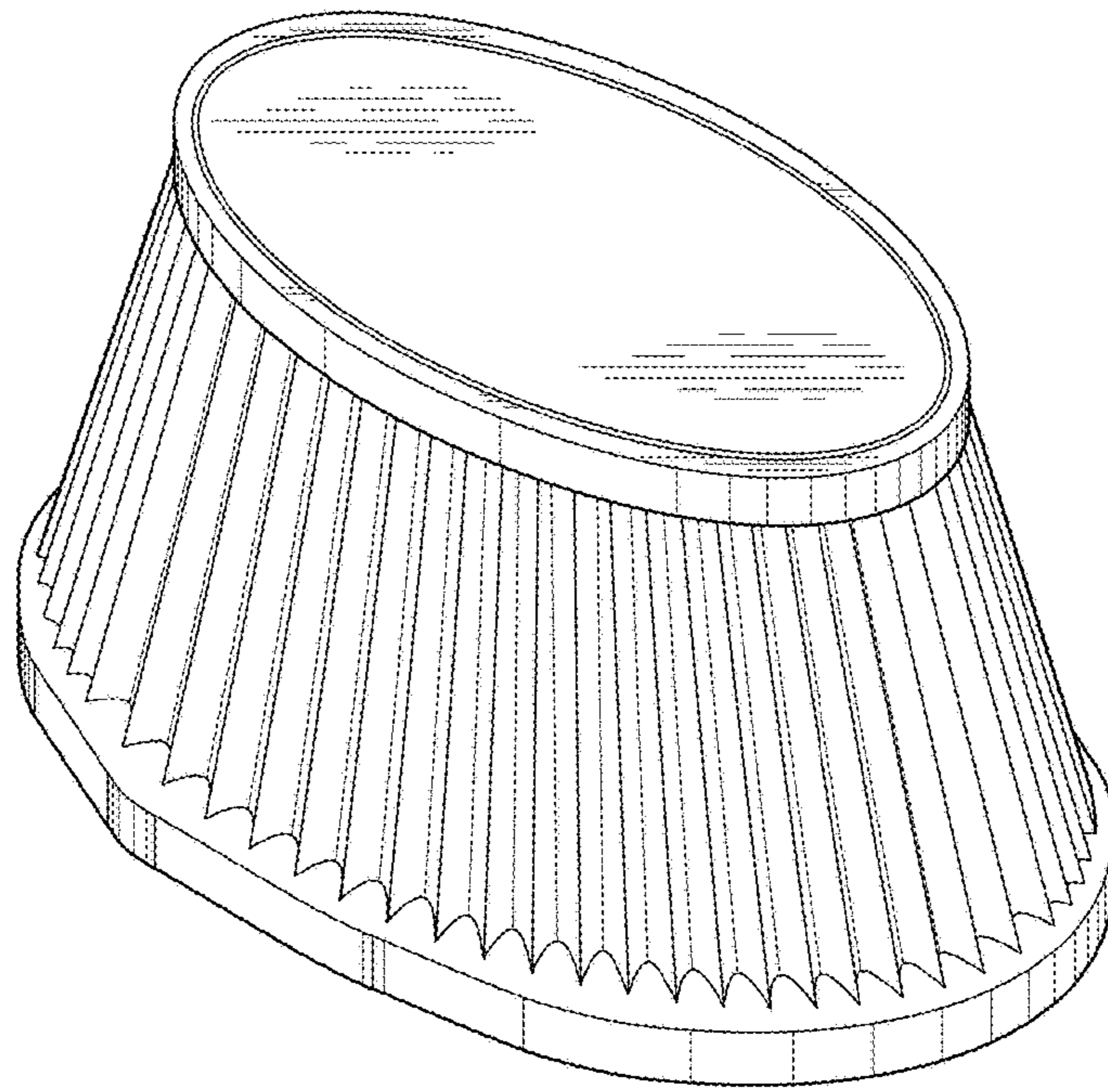


FIG. 1

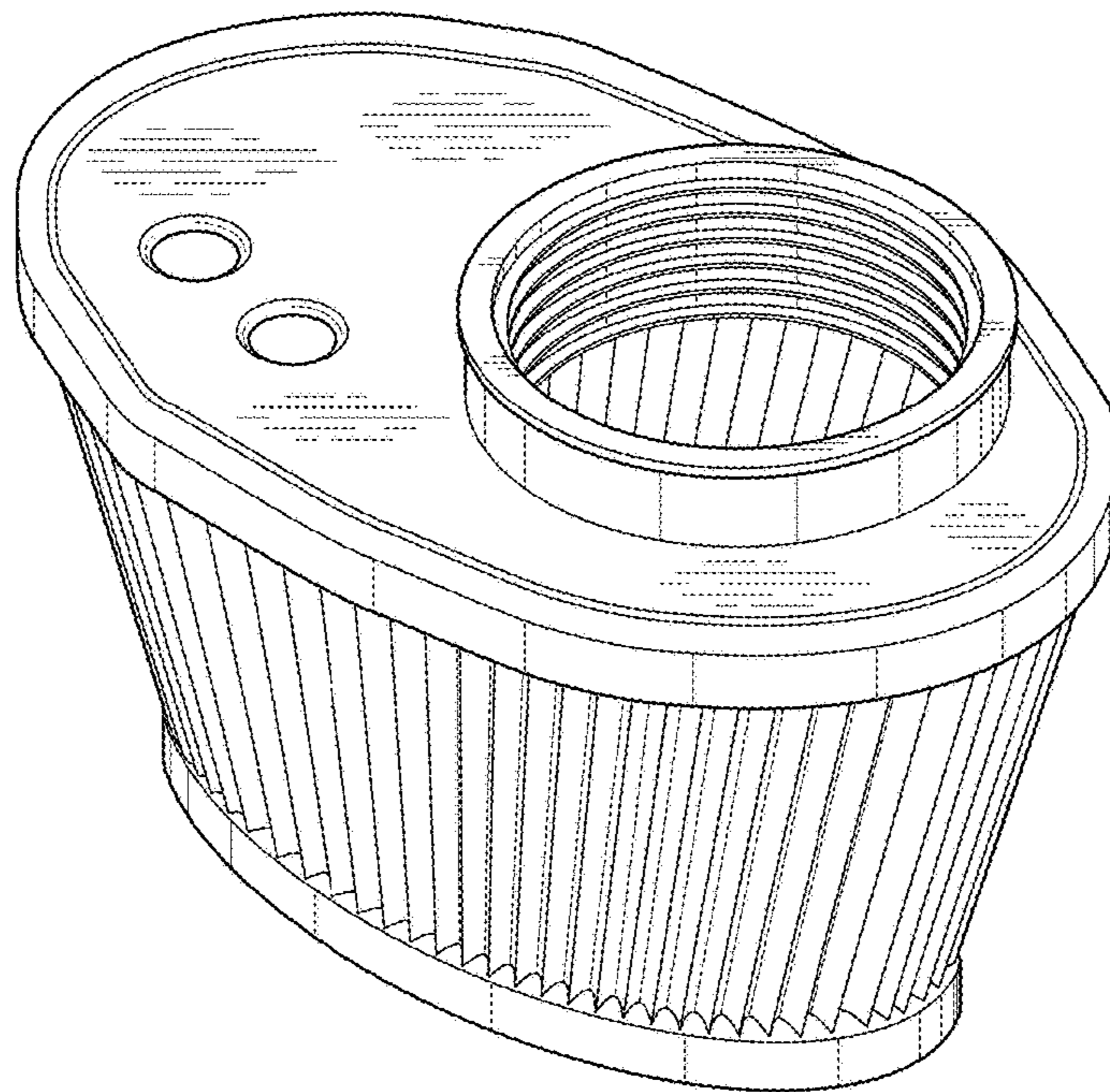


FIG. 2

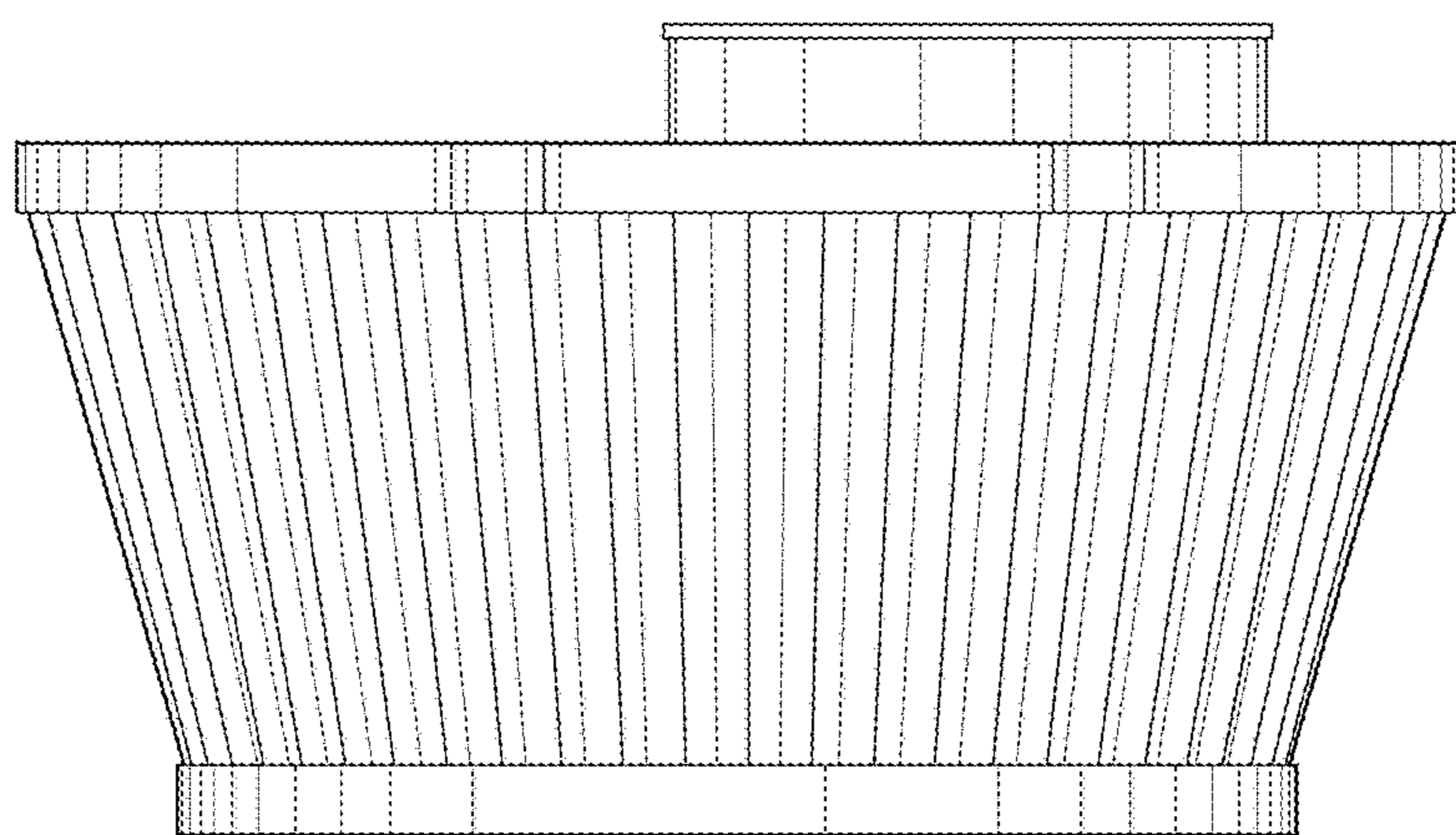


FIG. 3

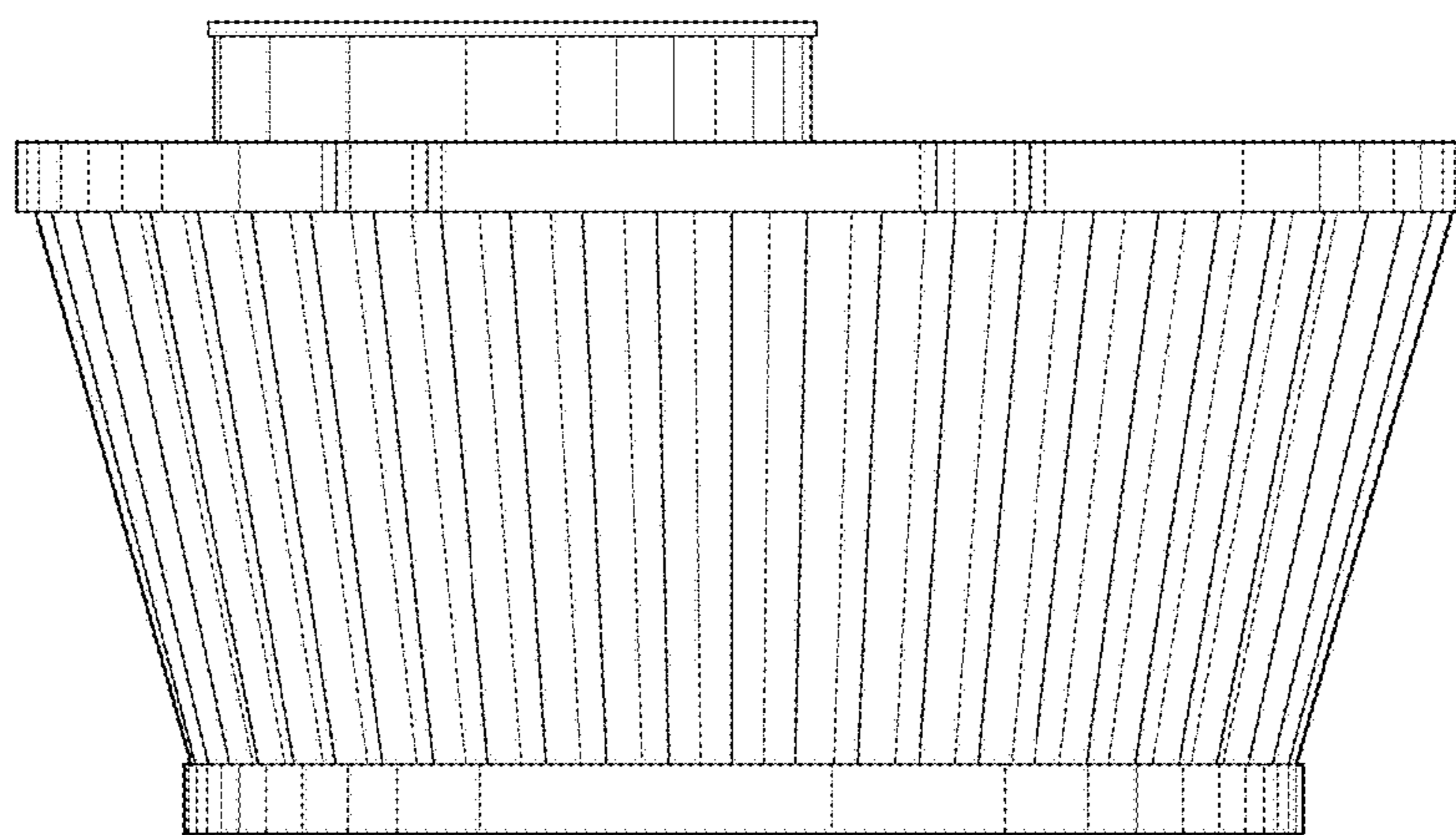


FIG. 4

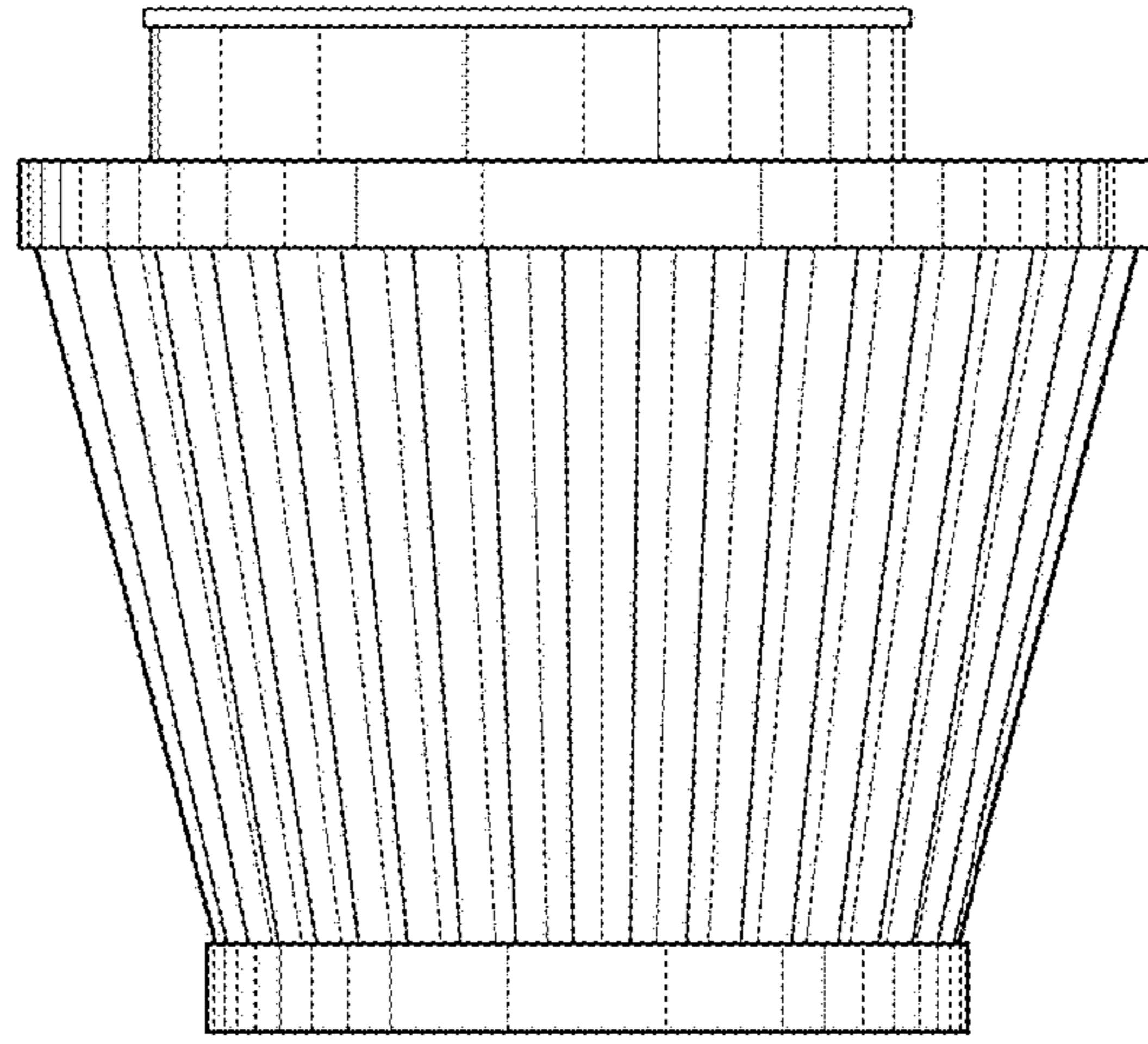


FIG. 5

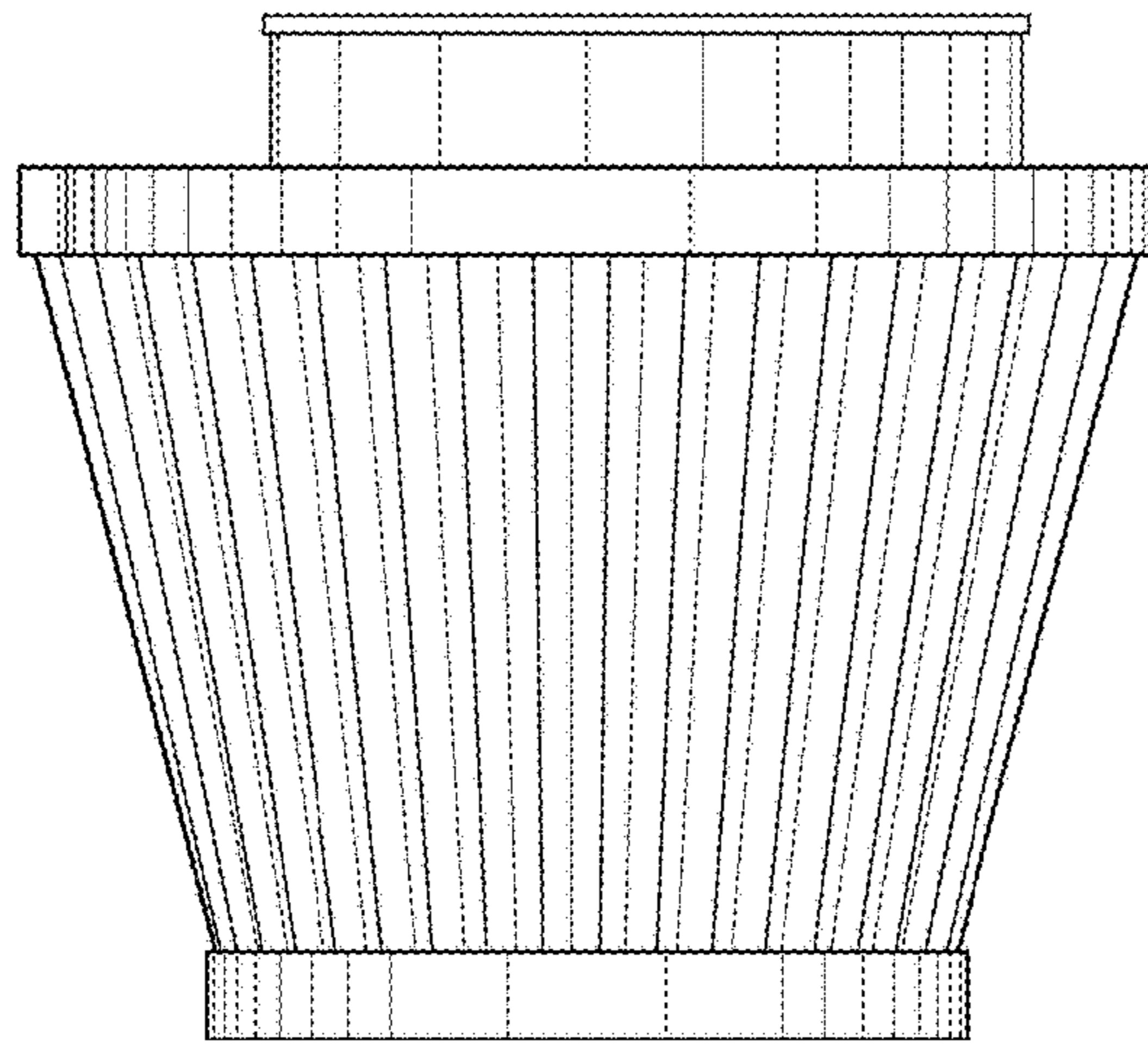


FIG. 6

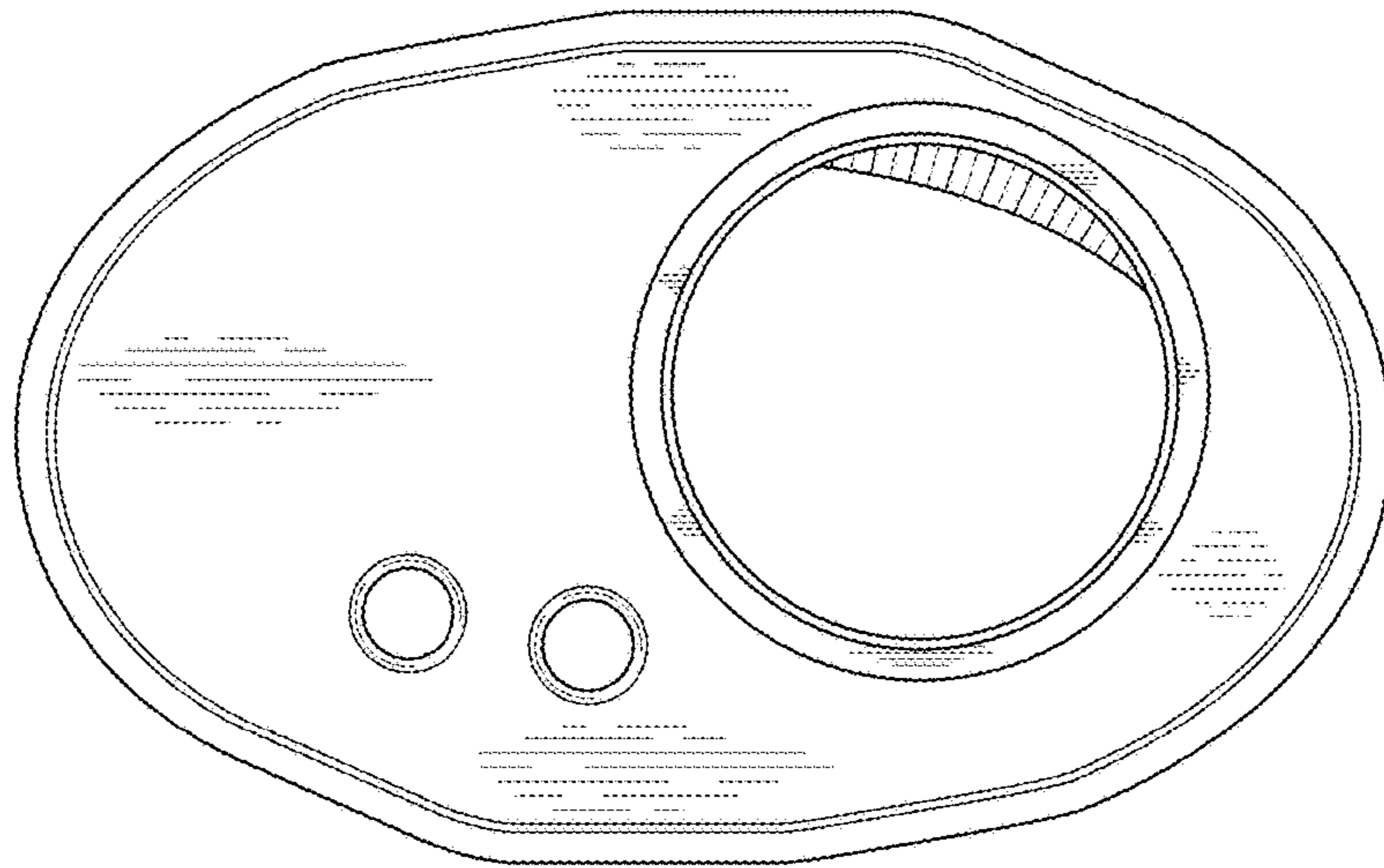


FIG. 7

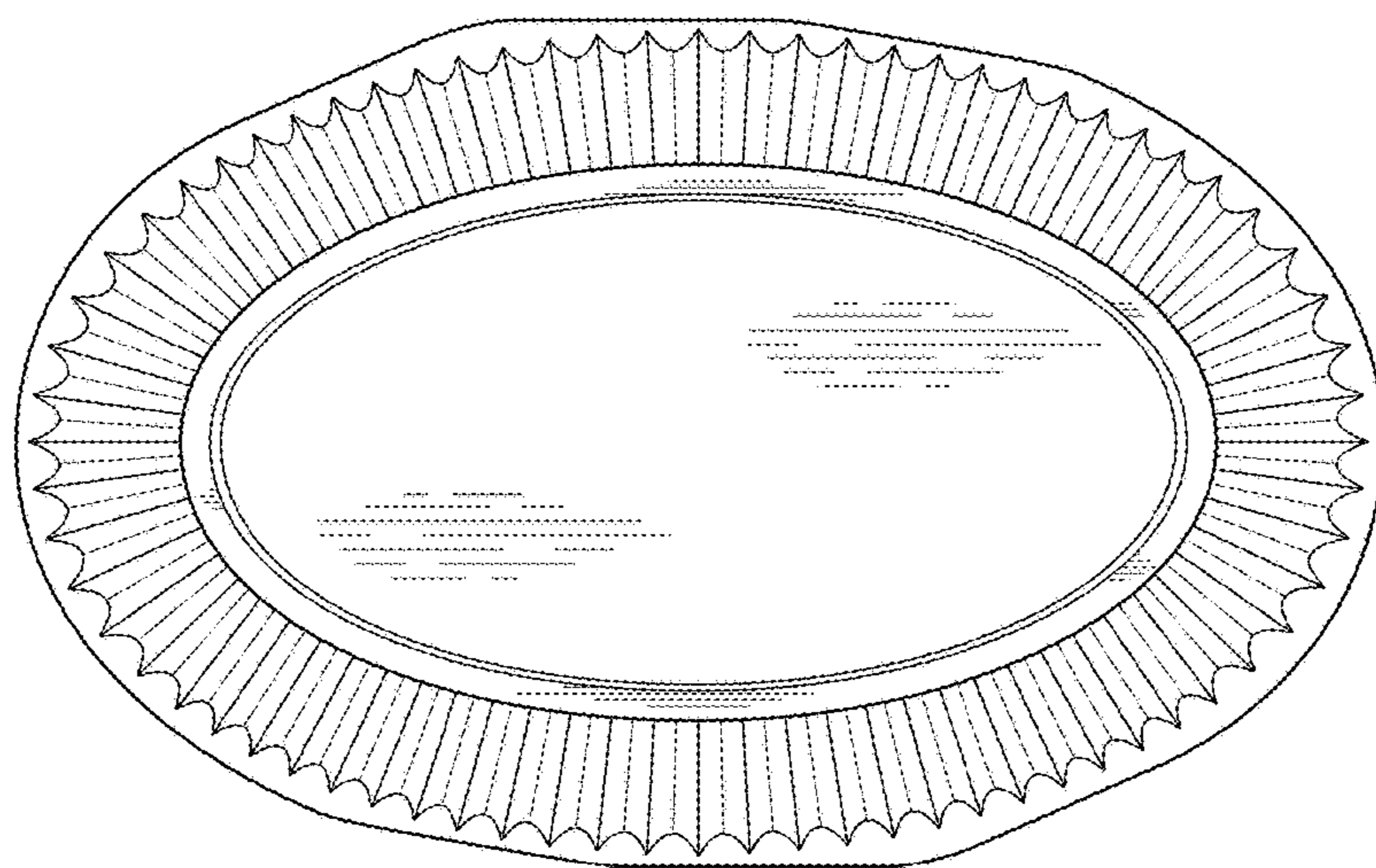


FIG. 8

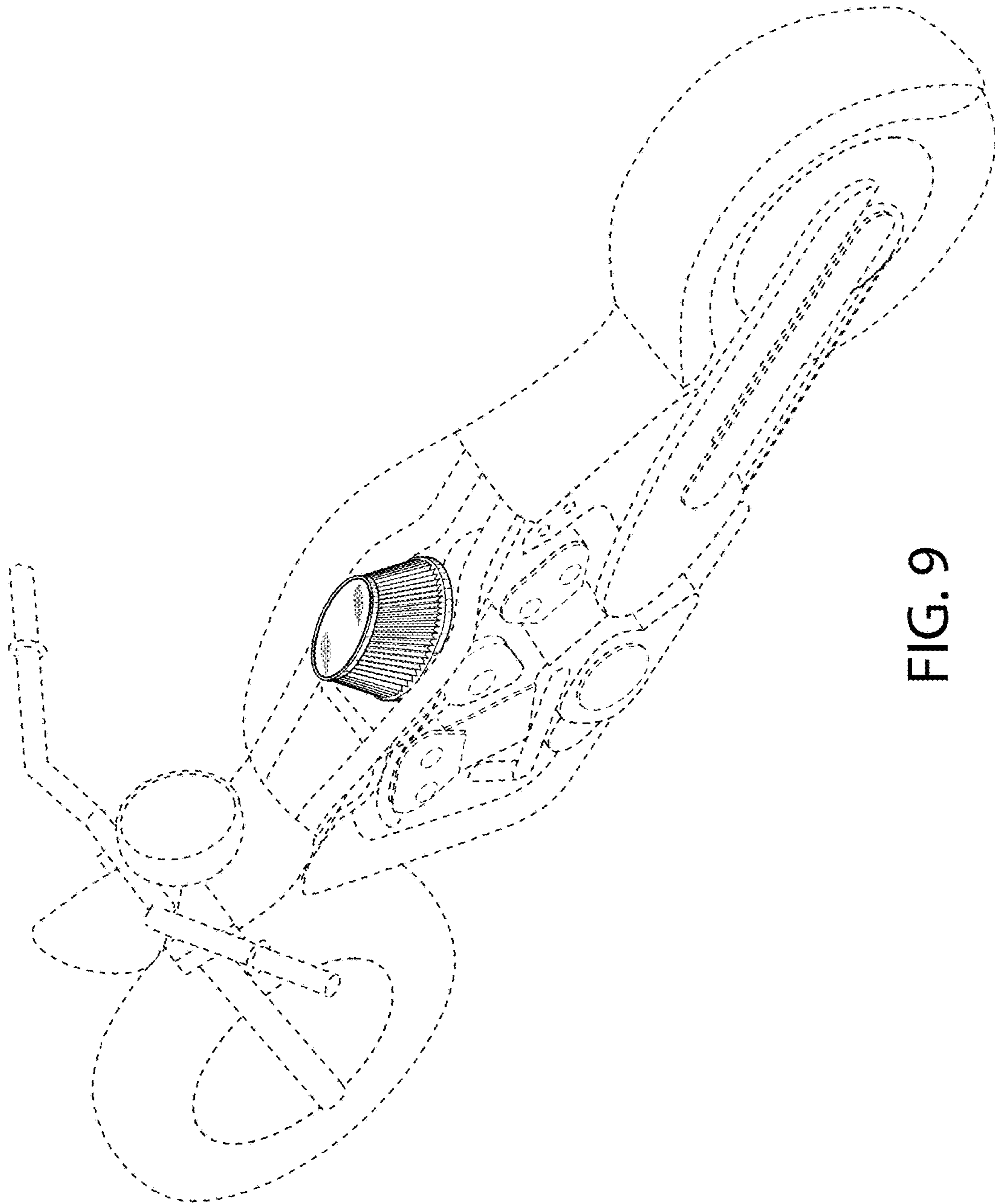


FIG. 9

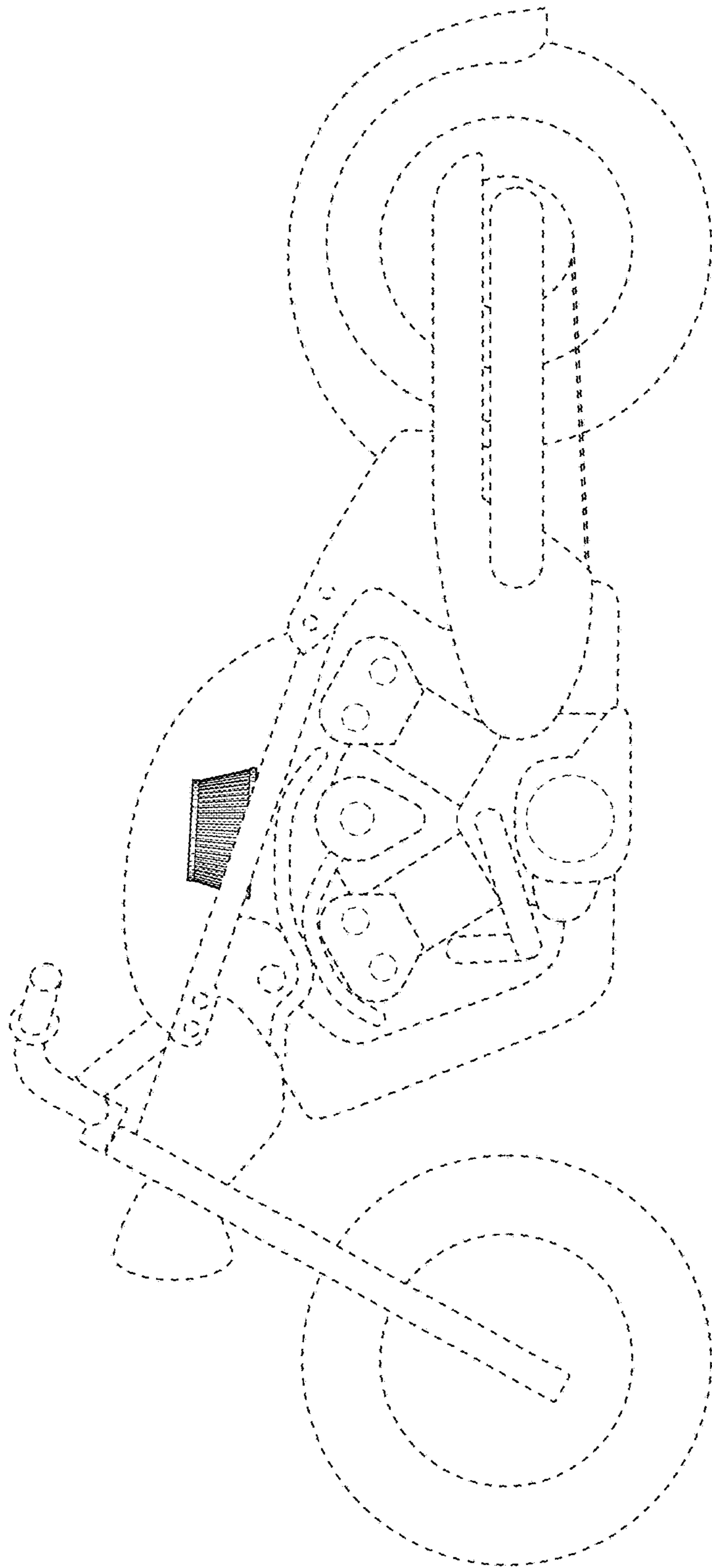


FIG. 10

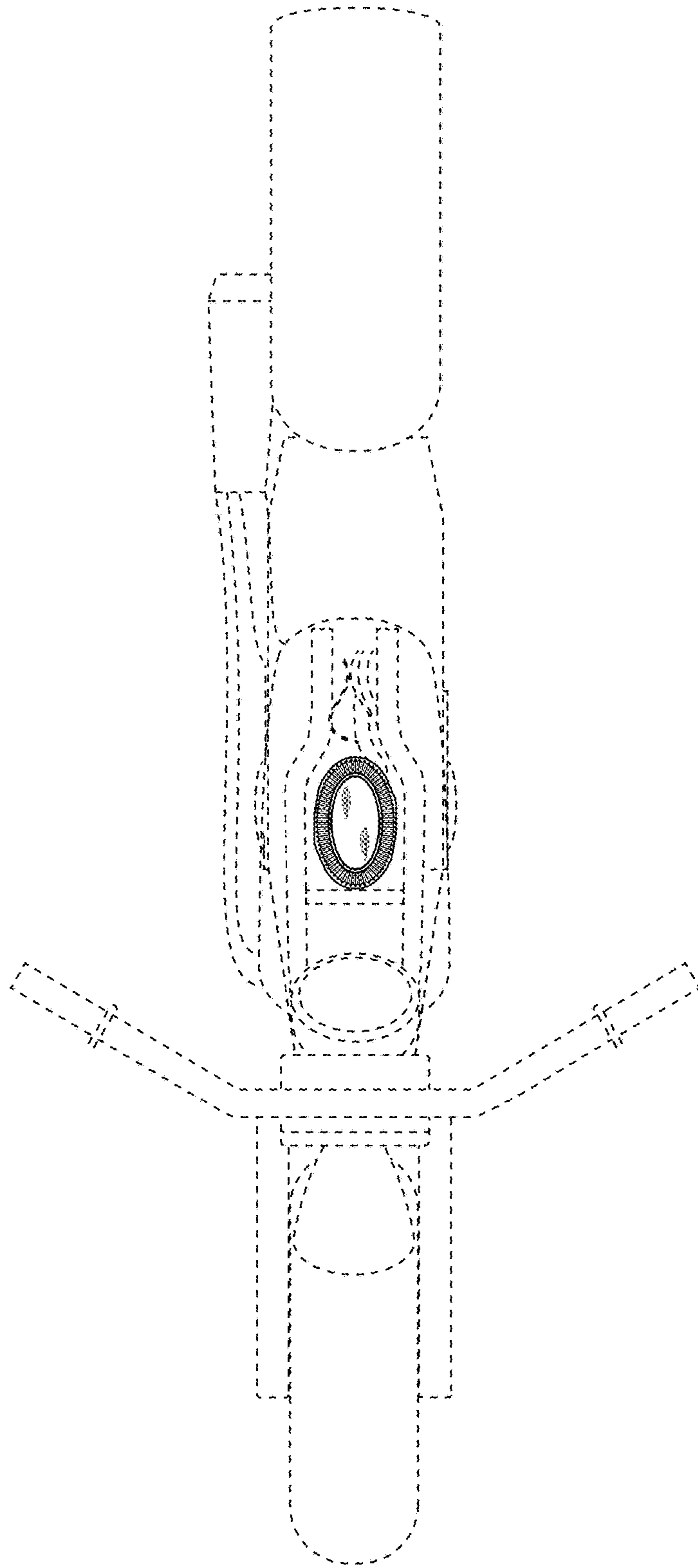


FIG. 11