



US00D800882S

(12) **United States Design Patent**
Ansley et al.

(10) **Patent No.:** **US D800,882 S**
(45) **Date of Patent:** **** Oct. 24, 2017**

(54) **AIR TREATMENT APPLIANCE**

(71) Applicant: **Prolitec Inc.**, Milwaukee, WI (US)

(72) Inventors: **Matthew Ansley**, Muskego, WI (US);
Andrew Williams, Elm Grove, WI (US)

(73) Assignee: **Prolitec Inc.**, Milwaukee, WI (US)

(**) Term: **15 Years**

(21) Appl. No.: **29/546,205**

(22) Filed: **Nov. 19, 2015**

(51) **LOC (10) Cl.** **23-04**

(52) **U.S. Cl.**
USPC **D23/364**

(58) **Field of Classification Search**

USPC D23/355-366, 352, 369, 332, 333, 335,
D23/336, 342, 351; 422/120, 122;
55/356, 473, 504; 96/97; 261/DIG. 17,
261/DIG. 65, DIG. 88, DIG. 31
CPC .. A61L 9/16; A61L 9/22; B01D 47/00; B01D
47/027; B01D 2221/02; B01D 2259/4508;
B03C 3/155; B03C 3/368; F24F 3/16;
F24F 13/20; F24F 13/28; F24F
2001/0096; F24F 3/1405; F24F 3/1603
See application file for complete search history.

(56) **References Cited**

U.S. PATENT DOCUMENTS

D390,645 S * 2/1998 Hanrahan D23/314
D394,099 S * 5/1998 Tsuji D23/356
D419,241 S * 1/2000 Northcott D23/365

(Continued)

Primary Examiner — David Muller

(74) *Attorney, Agent, or Firm* — Seed IP Law Group LLP

(57) **CLAIM**

The ornamental design for an air treatment appliance, substantially as shown and described.

DESCRIPTION

FIG. 1 is a top isometric view of an air treatment appliance, showing my new design.

FIG. 2 is a bottom isometric view thereof.

FIG. 3 is a front elevational view thereof.

FIG. 4 is a rear elevational view thereof.

FIG. 5 is a left side elevational view thereof.

FIG. 6 is a right side elevational view thereof.

FIG. 7 is a top plan view thereof.

FIG. 8 is a bottom plan view thereof.

FIG. 9 is a top isometric view of the air treatment appliance shown without a cover portion and without a cartridge installed for ease of illustration.

FIG. 10 is another top isometric view thereof from another viewpoint.

FIG. 11 is a front elevational view thereof.

FIG. 12 is a rear elevational view thereof.

FIG. 13 is a left side elevational view thereof.

FIG. 14 is a right side elevational view thereof.

FIG. 15 is a top plan view thereof.

FIG. 16 is a bottom plan view thereof.

FIG. 17 is a top isometric view of the air treatment appliance shown without a cover portion and with a cartridge installed for ease of illustration.

FIG. 18 is another top isometric view thereof from another viewpoint.

FIG. 19 is a front elevational view thereof.

FIG. 20 is a rear elevational view thereof.

FIG. 21 is a left side elevational view thereof.

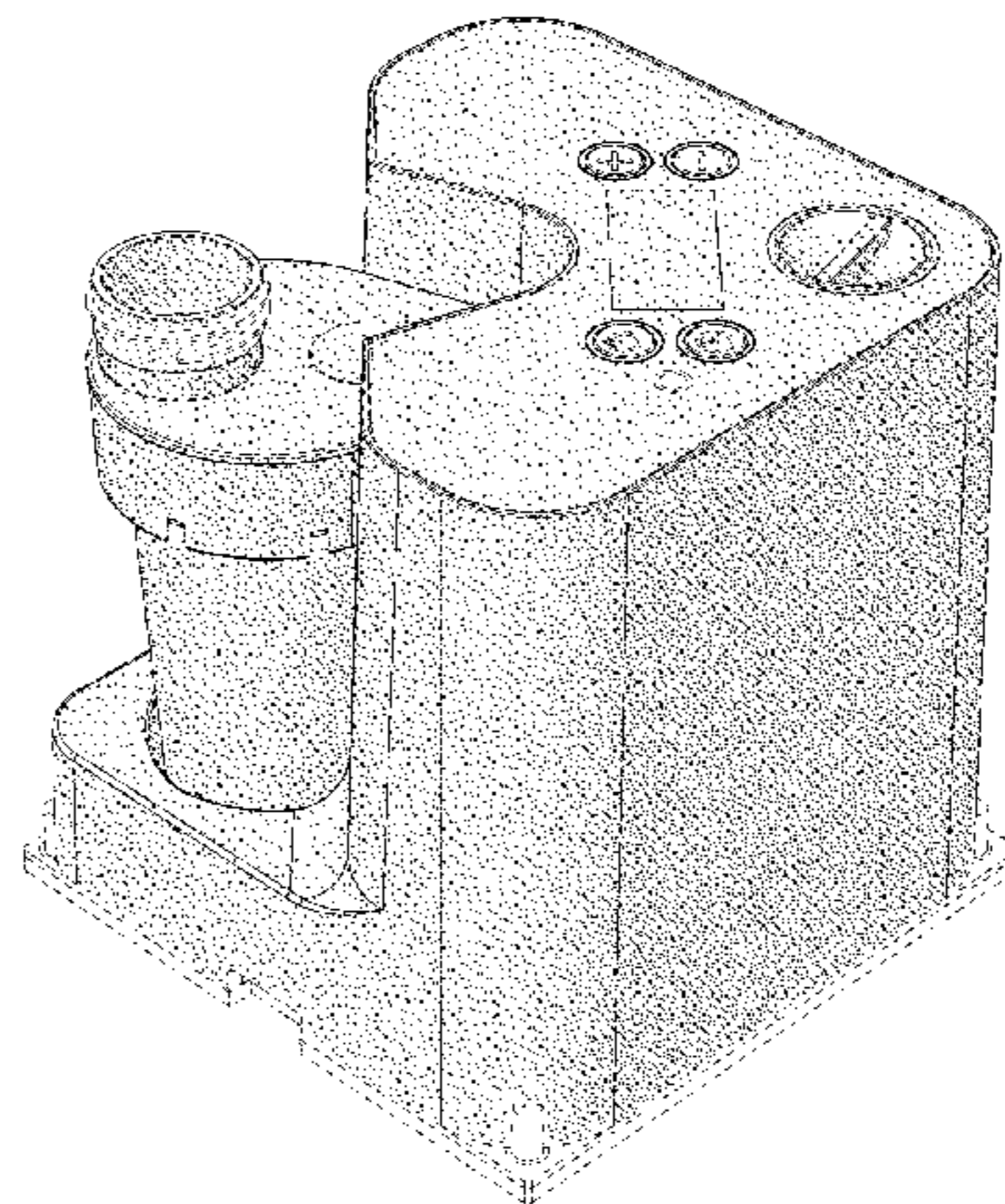
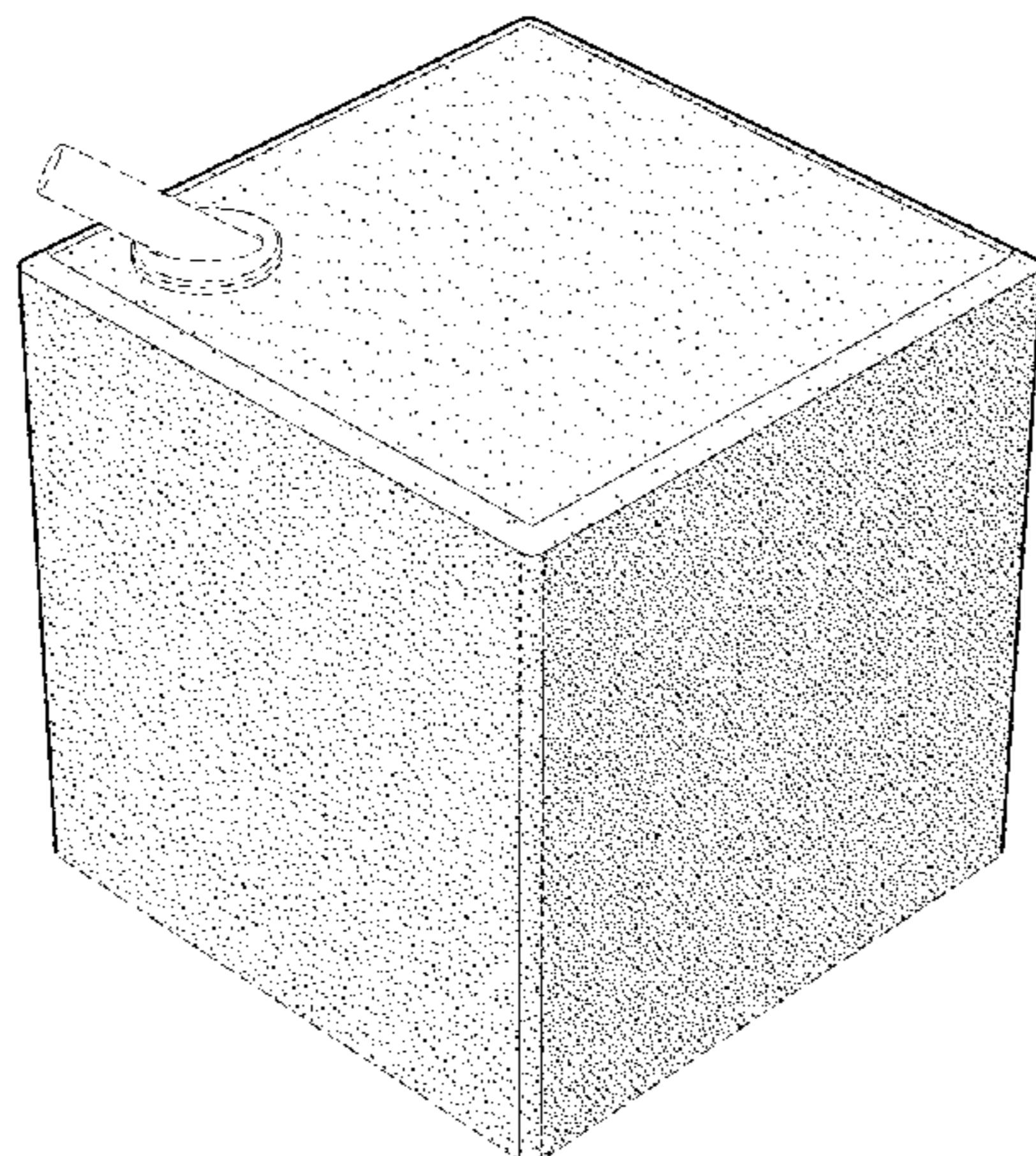
FIG. 22 is a right side elevational view thereof.

FIG. 23 is a top plan view thereof; and,

FIG. 24 is a bottom plan view thereof.

Stippling and tangency lines in the drawings represent the three-dimensional contours of the design, and are not intended to indicate surface decoration. The broken lines in the drawings are for illustrative purposes only and form no part of the claimed design.

1 Claim, 24 Drawing Sheets



(56)

References Cited

U.S. PATENT DOCUMENTS

D433,112	S	*	10/2000	Louis, Jr.	D23/360
D722,150	S	*	2/2015	Heine	D23/356
D749,202	S	*	2/2016	Satou	D23/364
D754,833	S	*	4/2016	Hsiao	D23/366
D755,359	S	*	5/2016	Rentschler	D23/355
D760,883	S	*	7/2016	Mann	D23/364
D773,627	S	*	12/2016	Benamor	D23/366
D775,316	S	*	12/2016	Nakai	D23/351
D777,310	S	*	1/2017	Widhalm	F01N 3/2803
						D23/365
D777,891	S	*	1/2017	Kubota	D23/351
2008/0251608	A1		10/2008	Robert et al.		

* cited by examiner

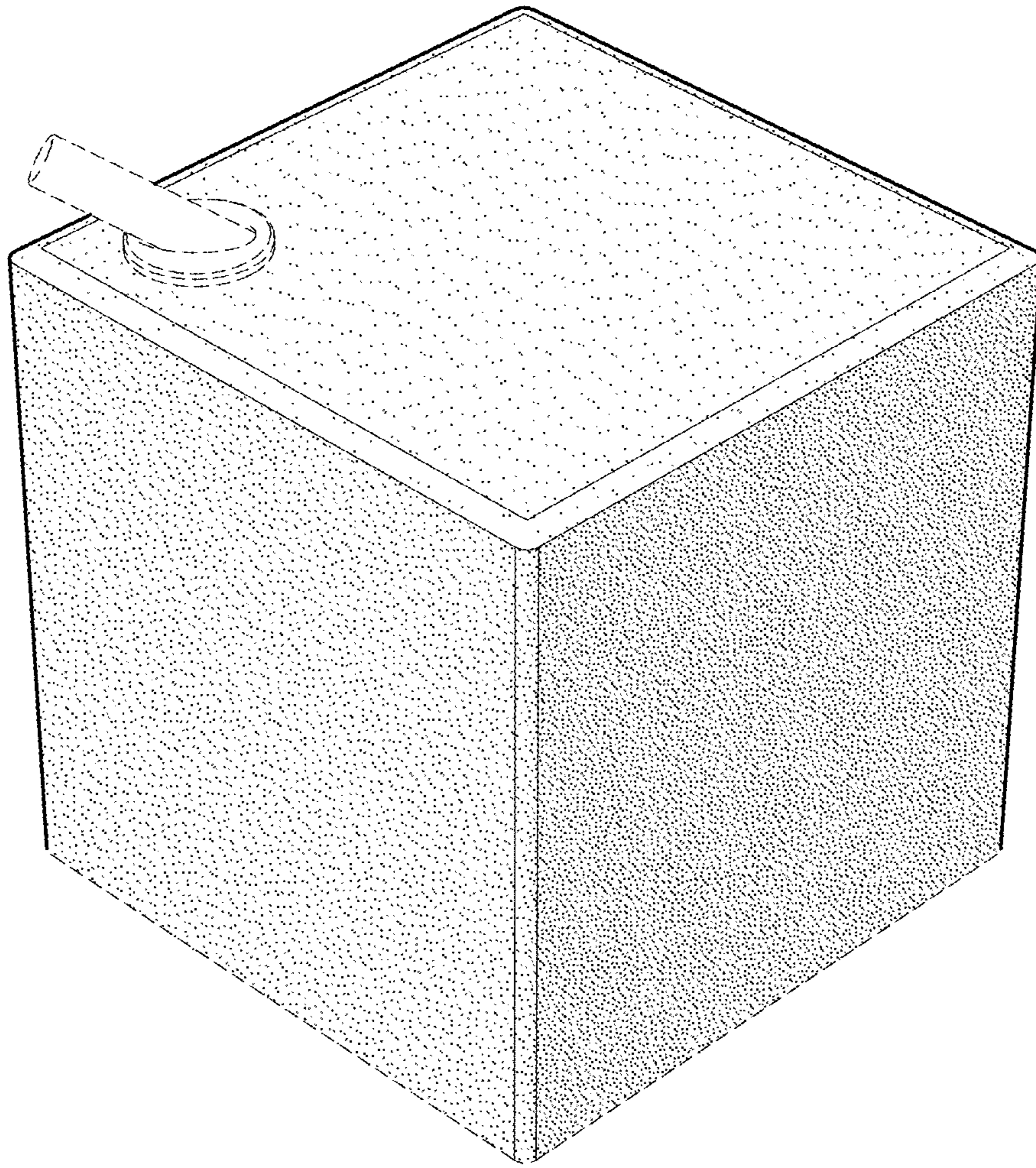


FIG. 1

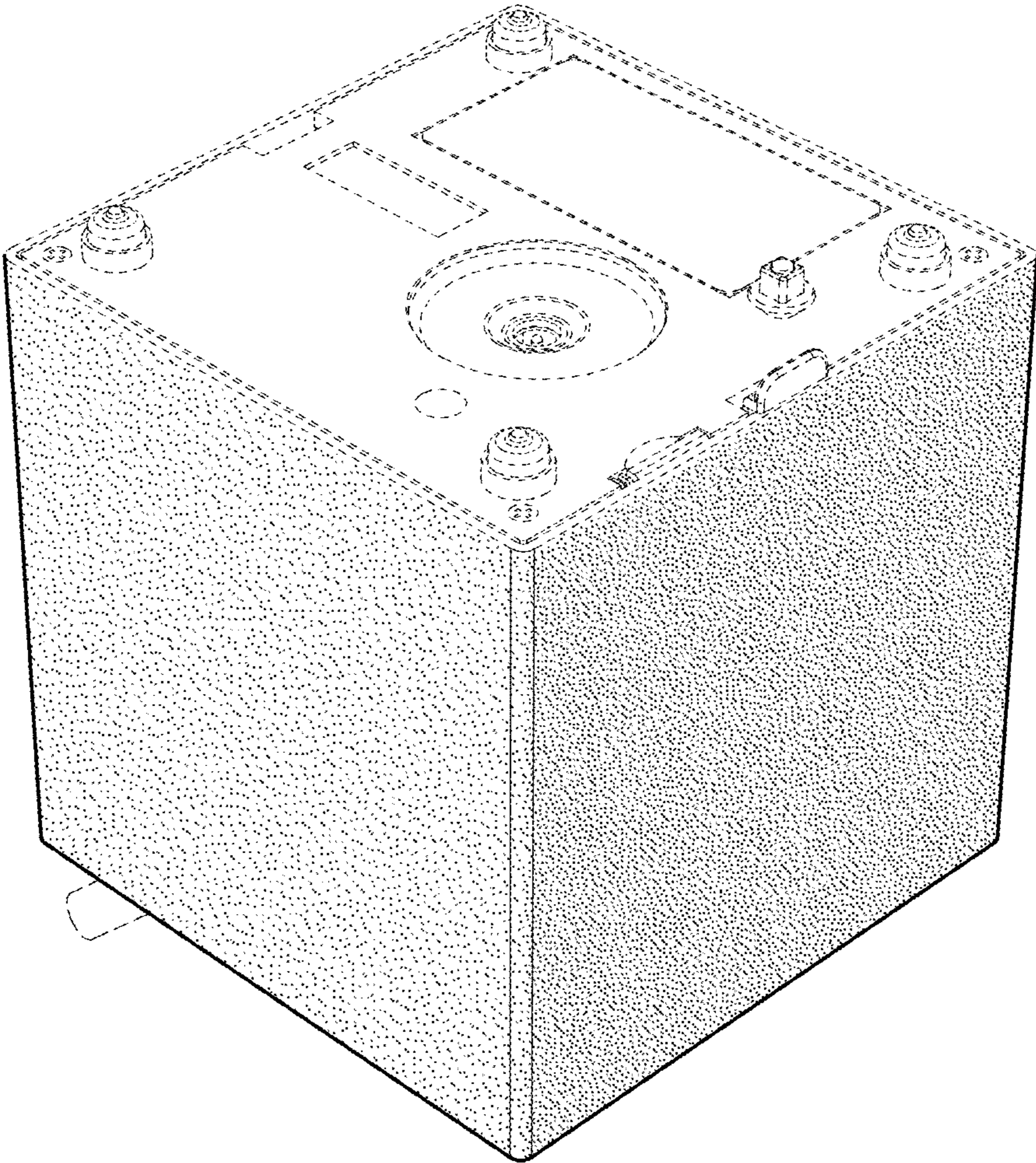


FIG. 2

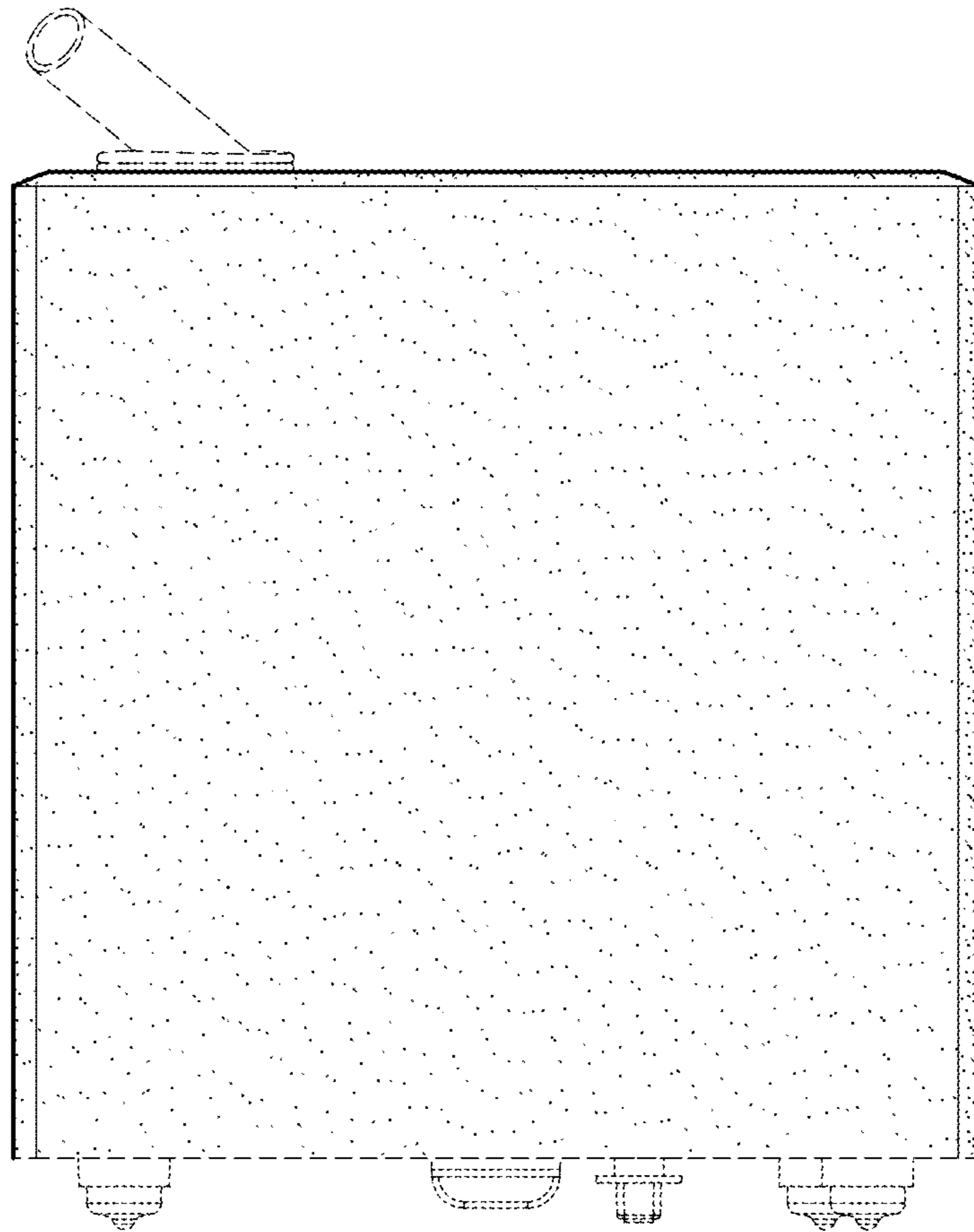


FIG. 3

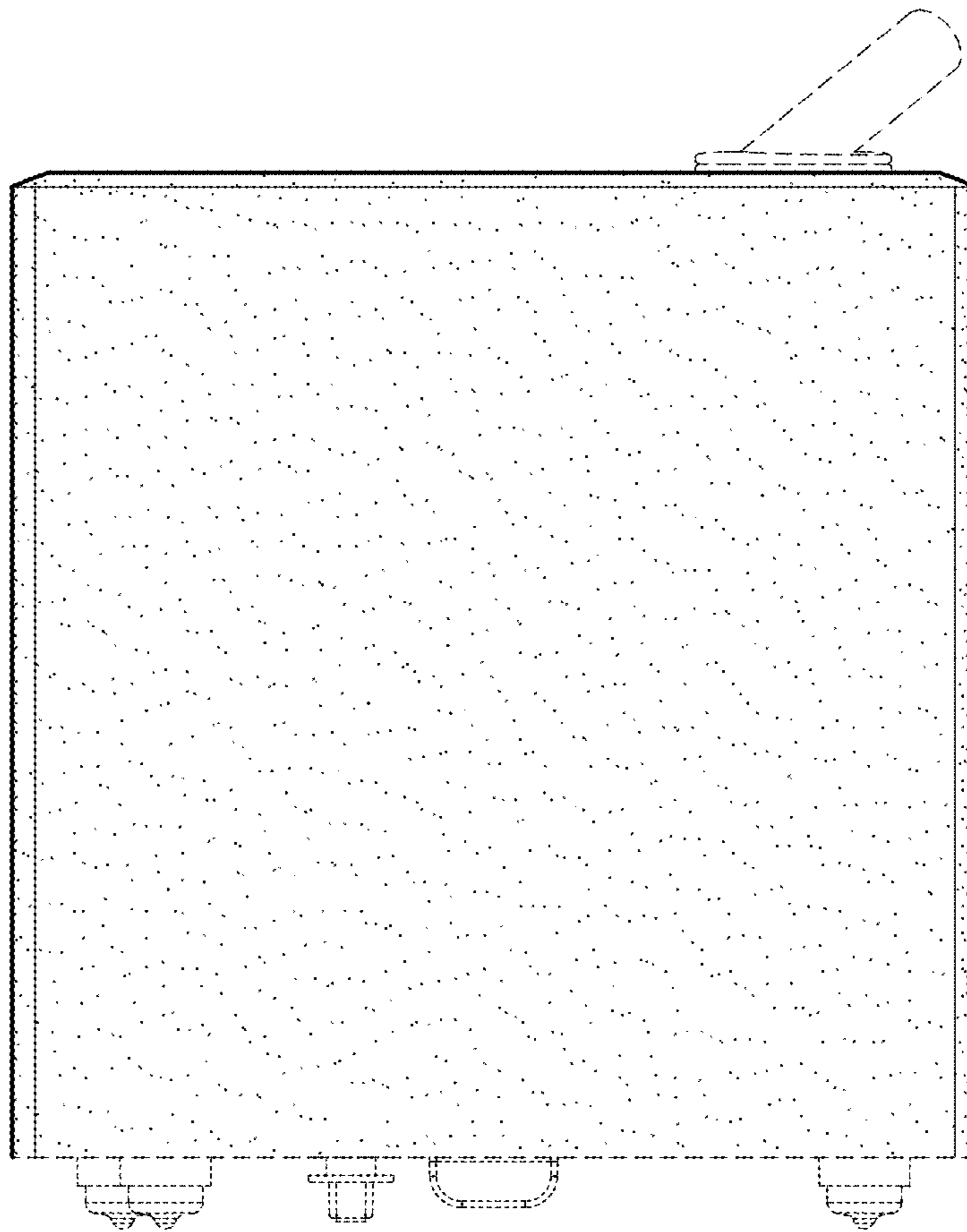


FIG. 4

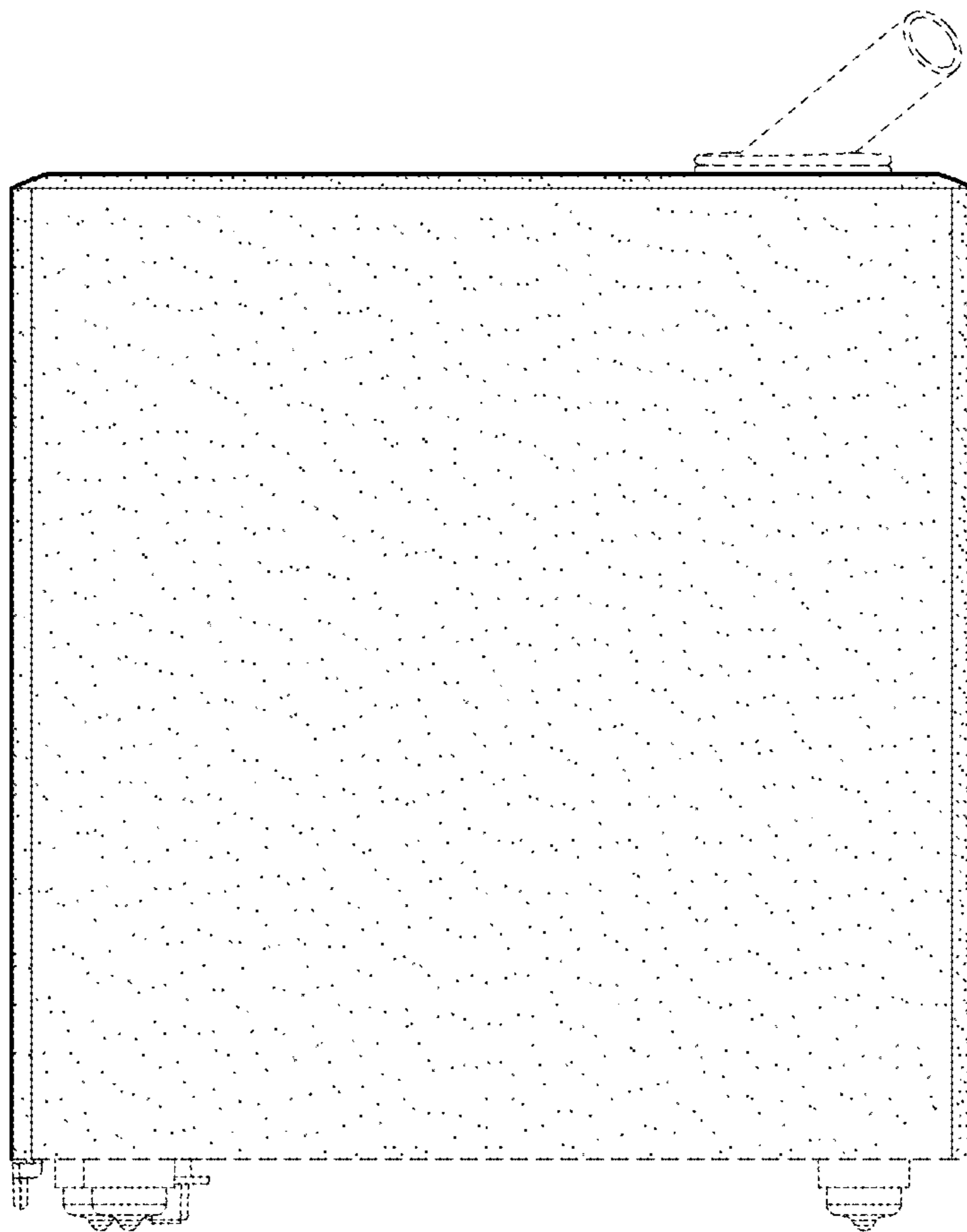


FIG. 5

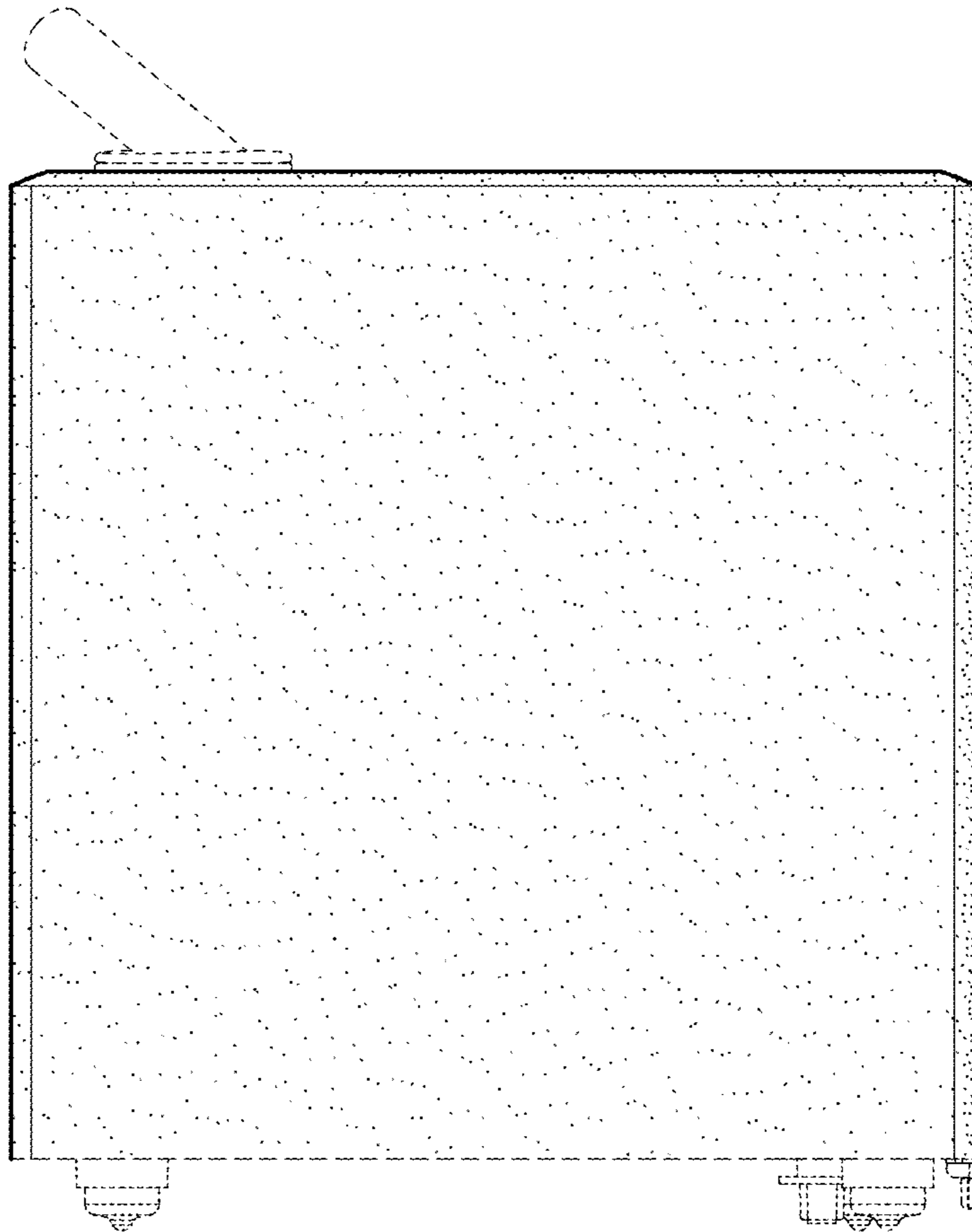


FIG. 6

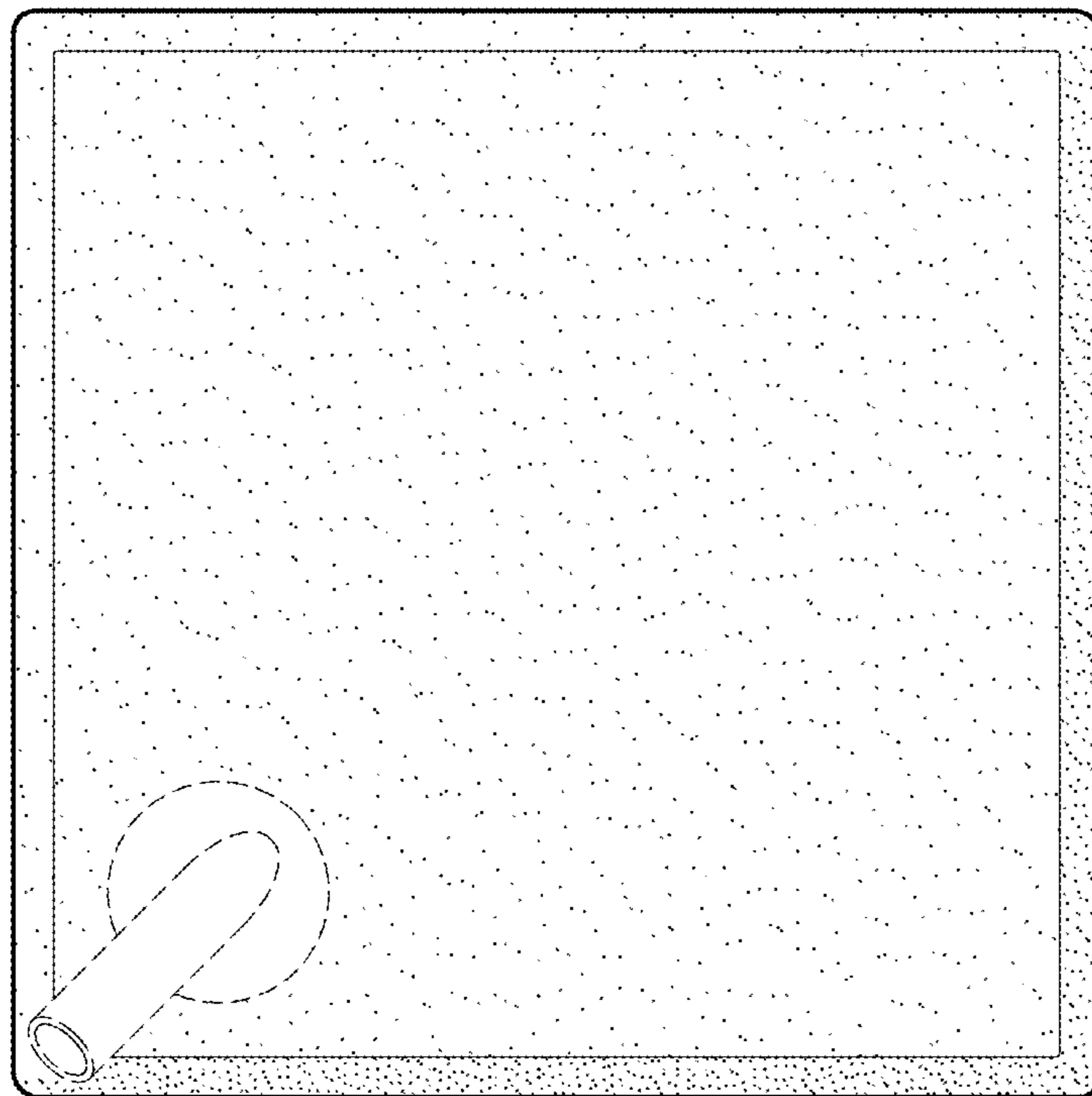


FIG. 7

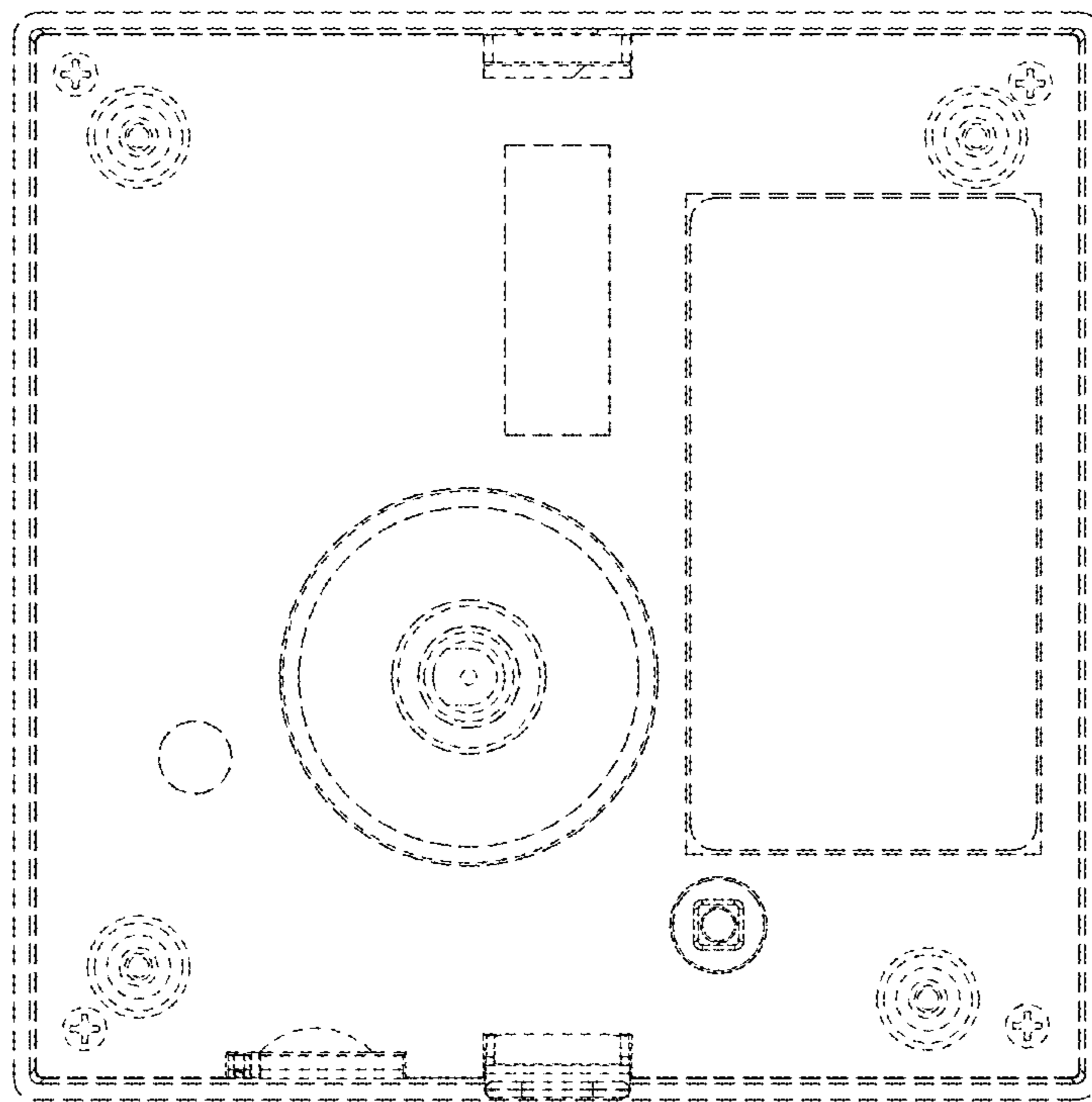


FIG. 8

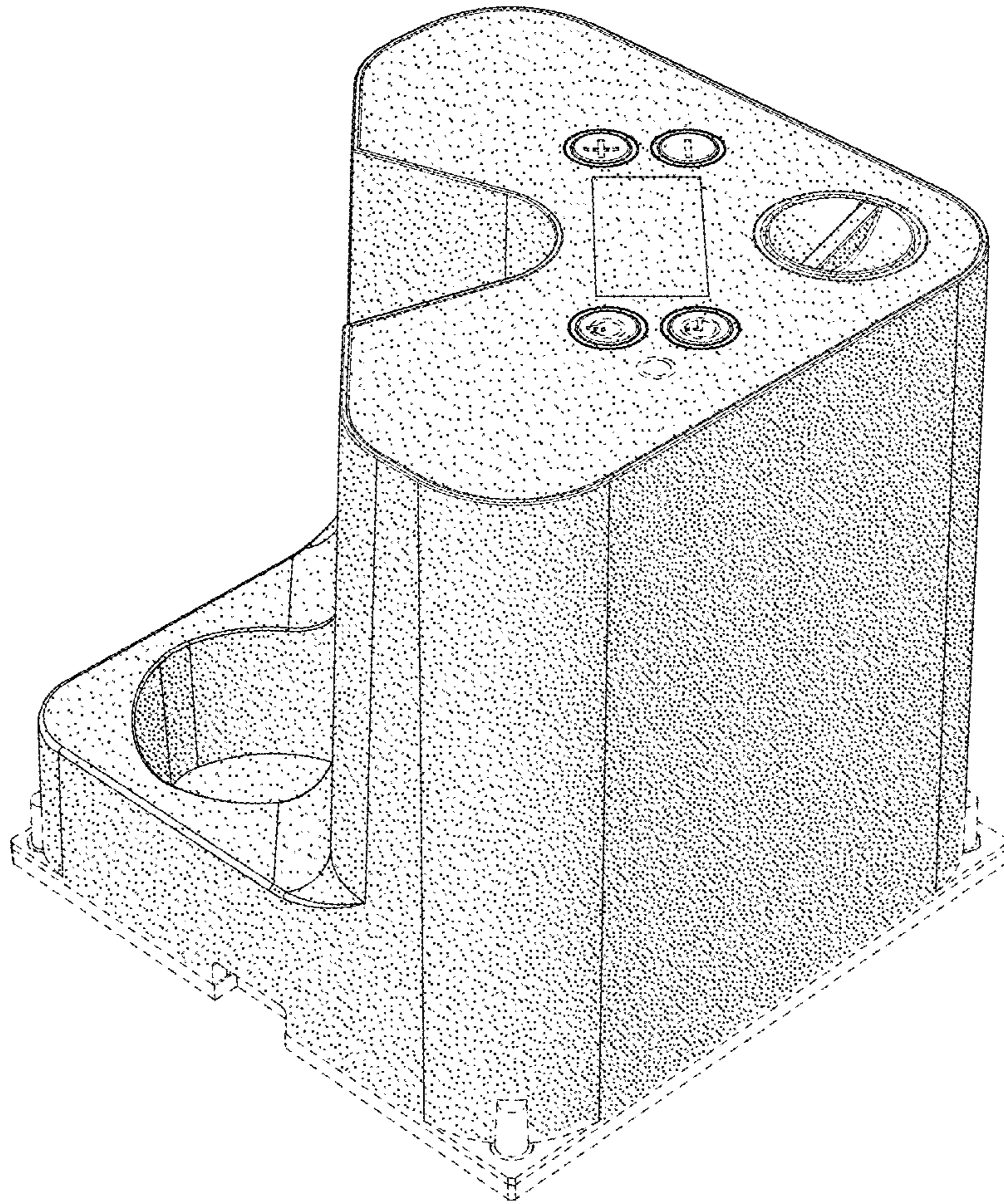


FIG. 9

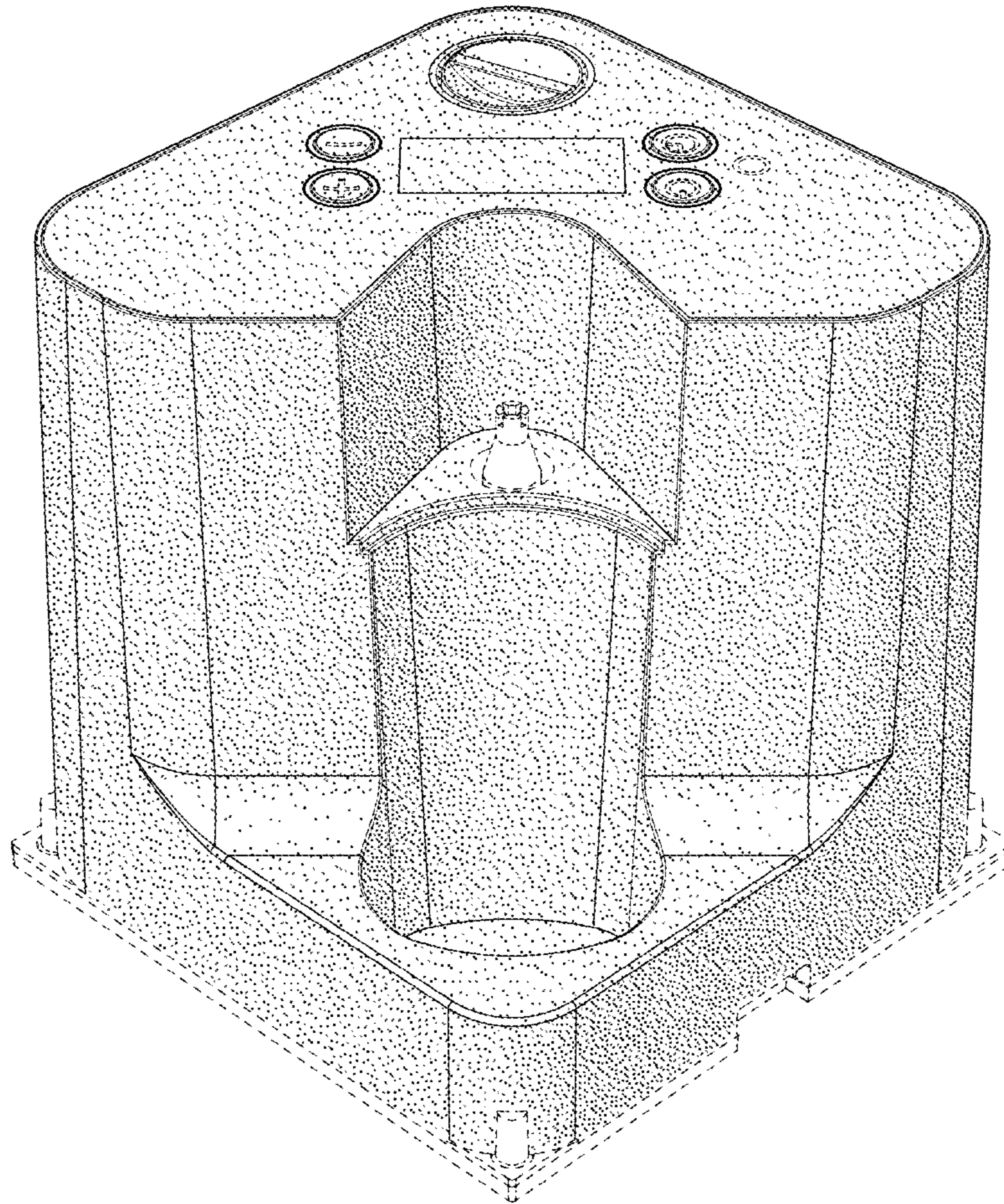


FIG. 10

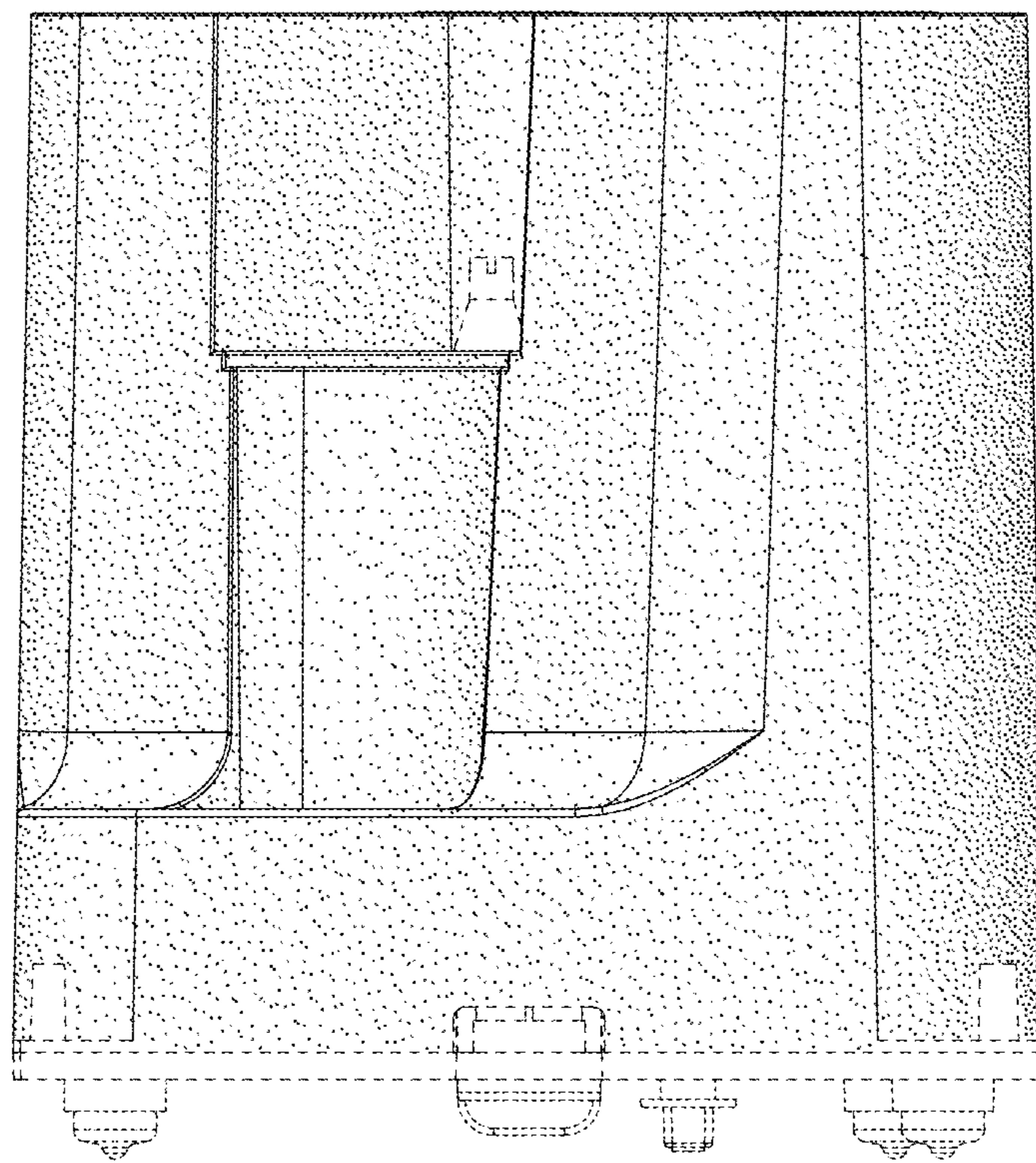


FIG. 11

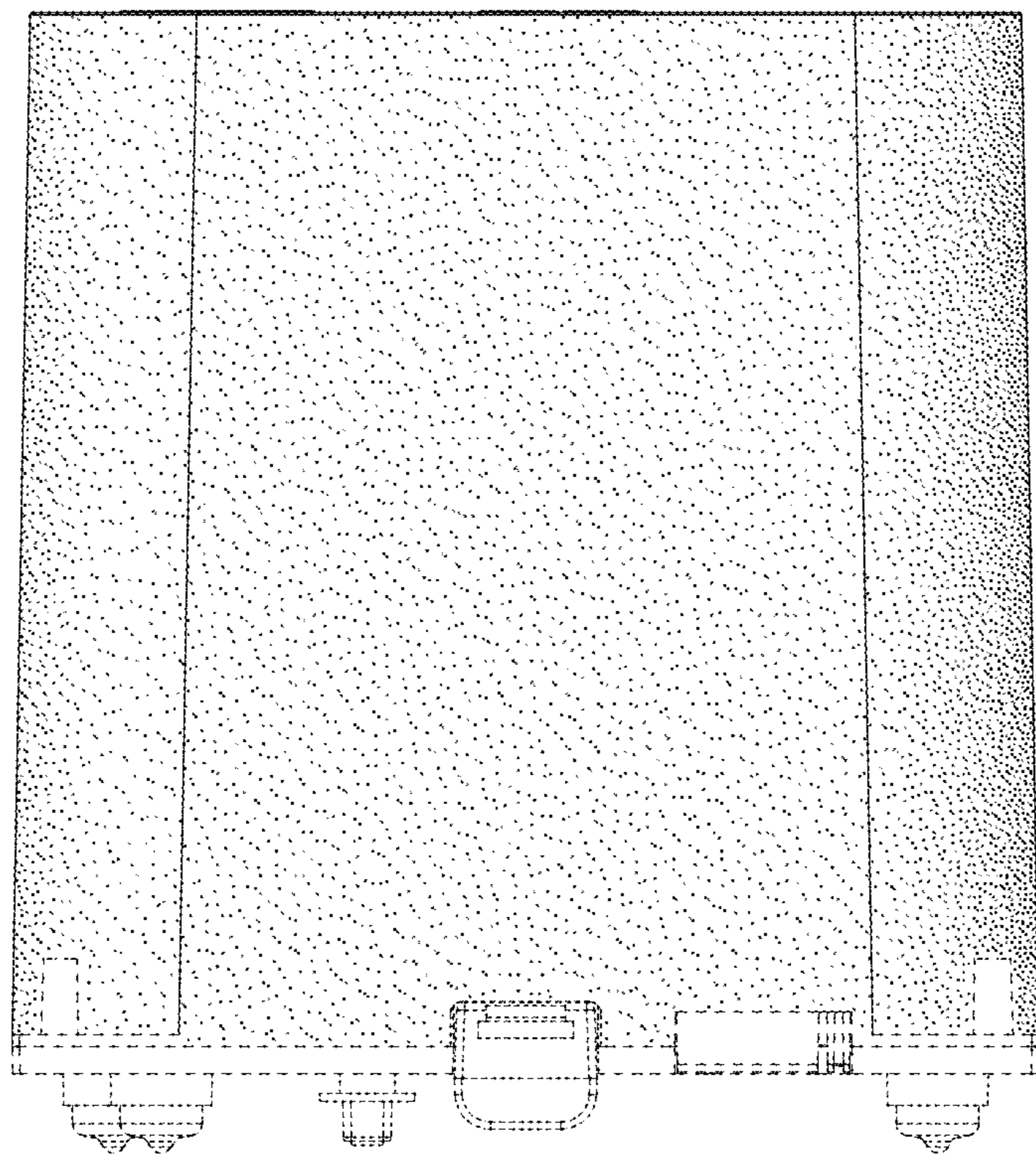


FIG. 12

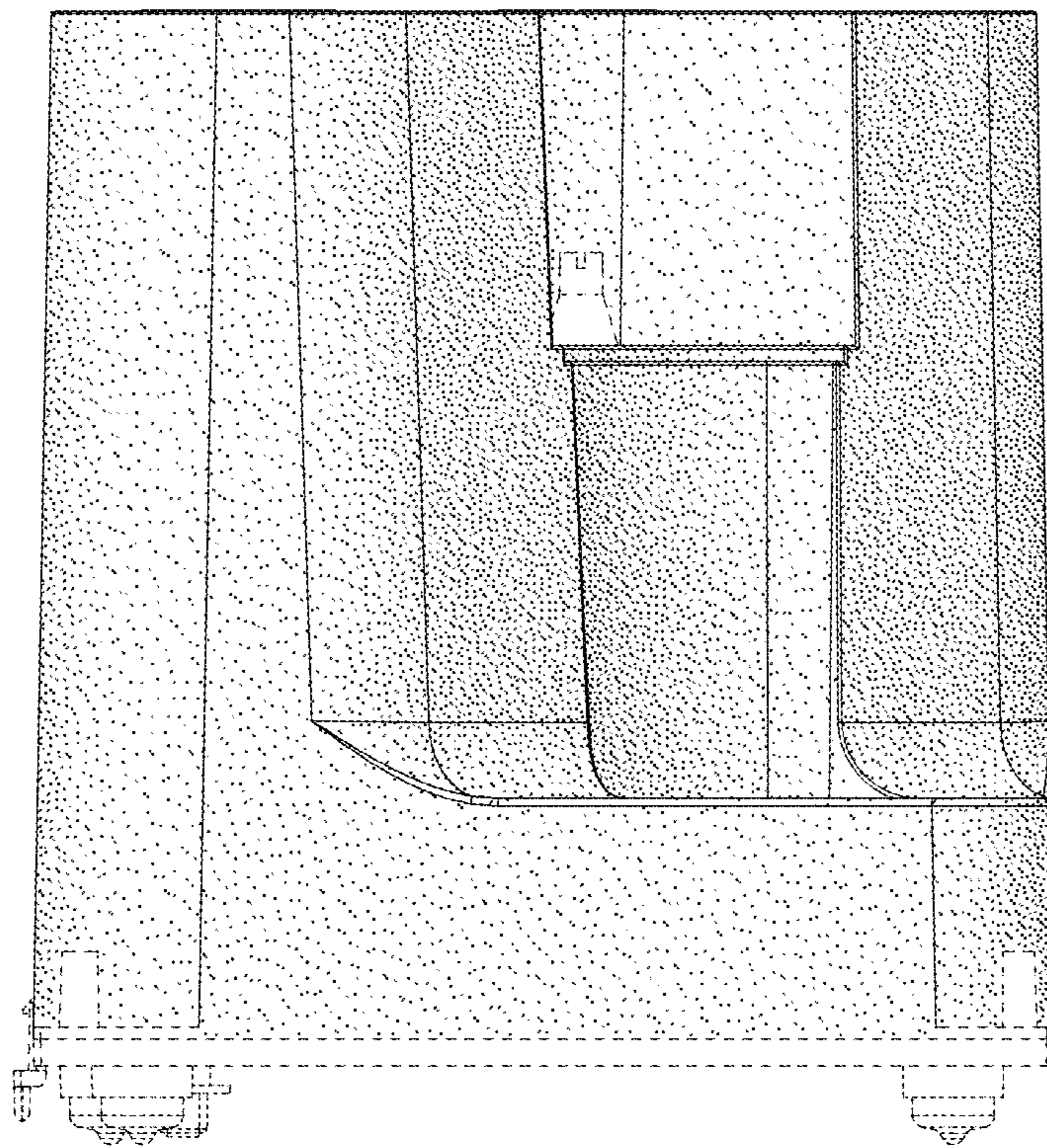


FIG. 13

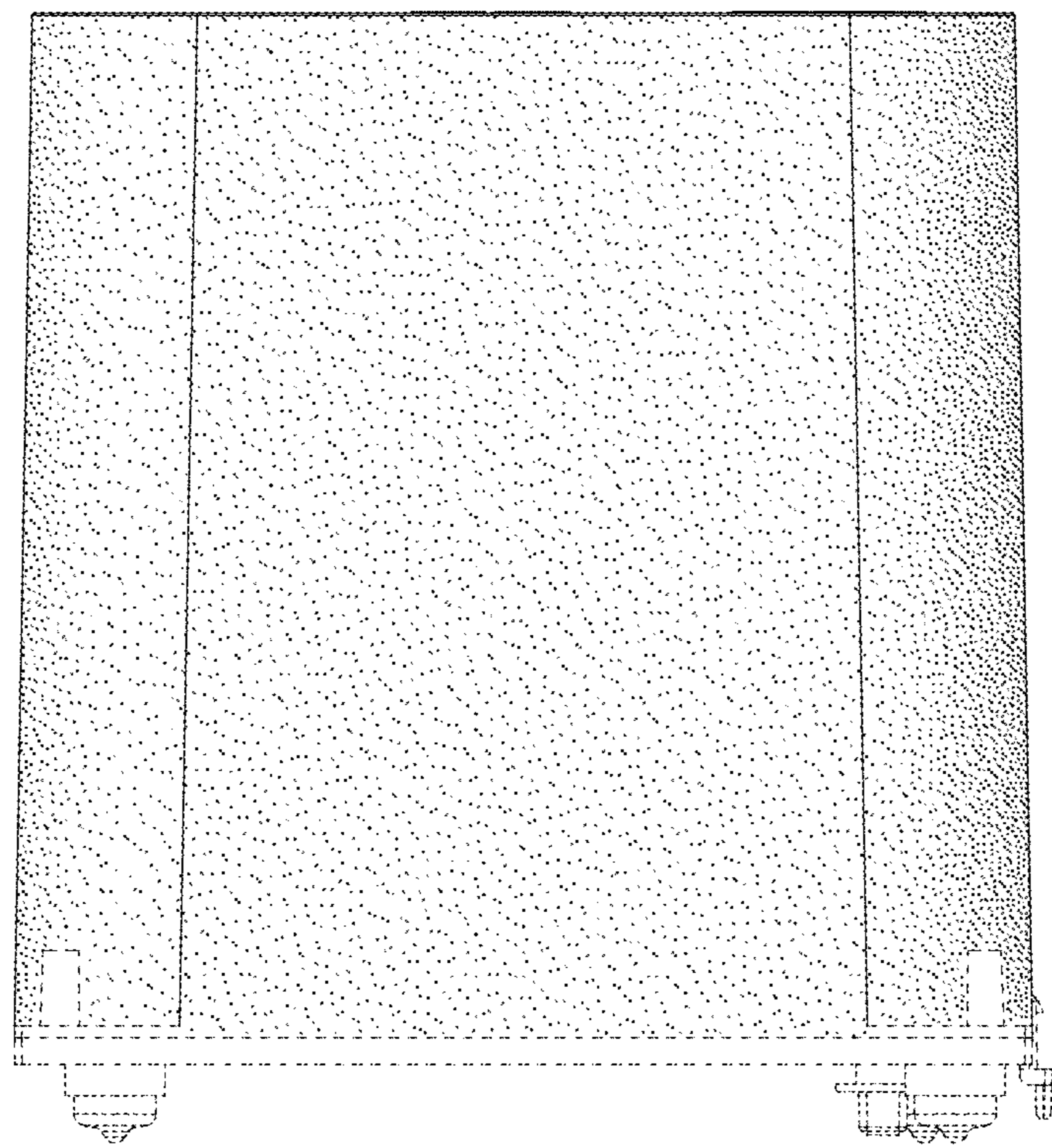


FIG. 14

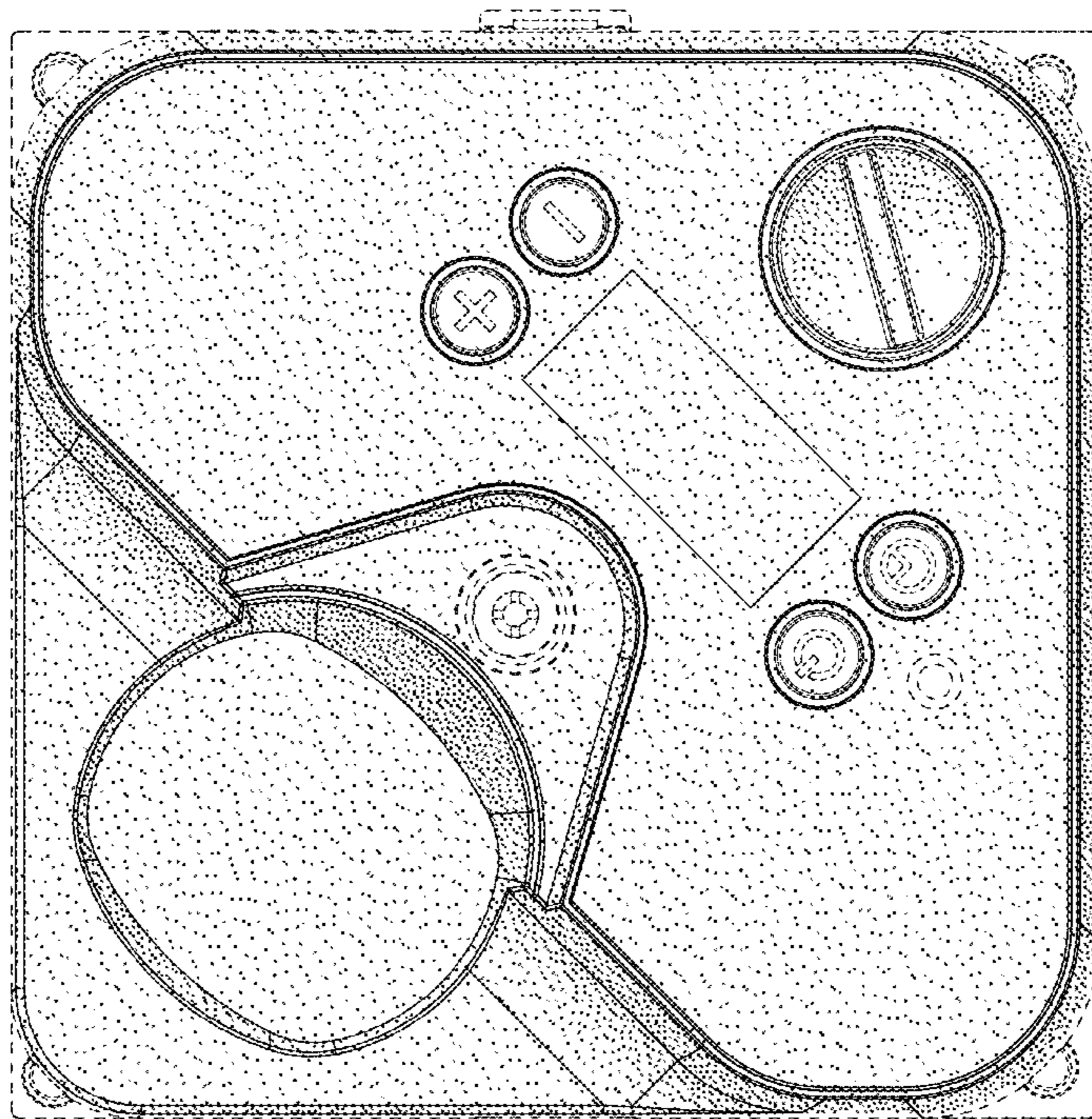


FIG. 15

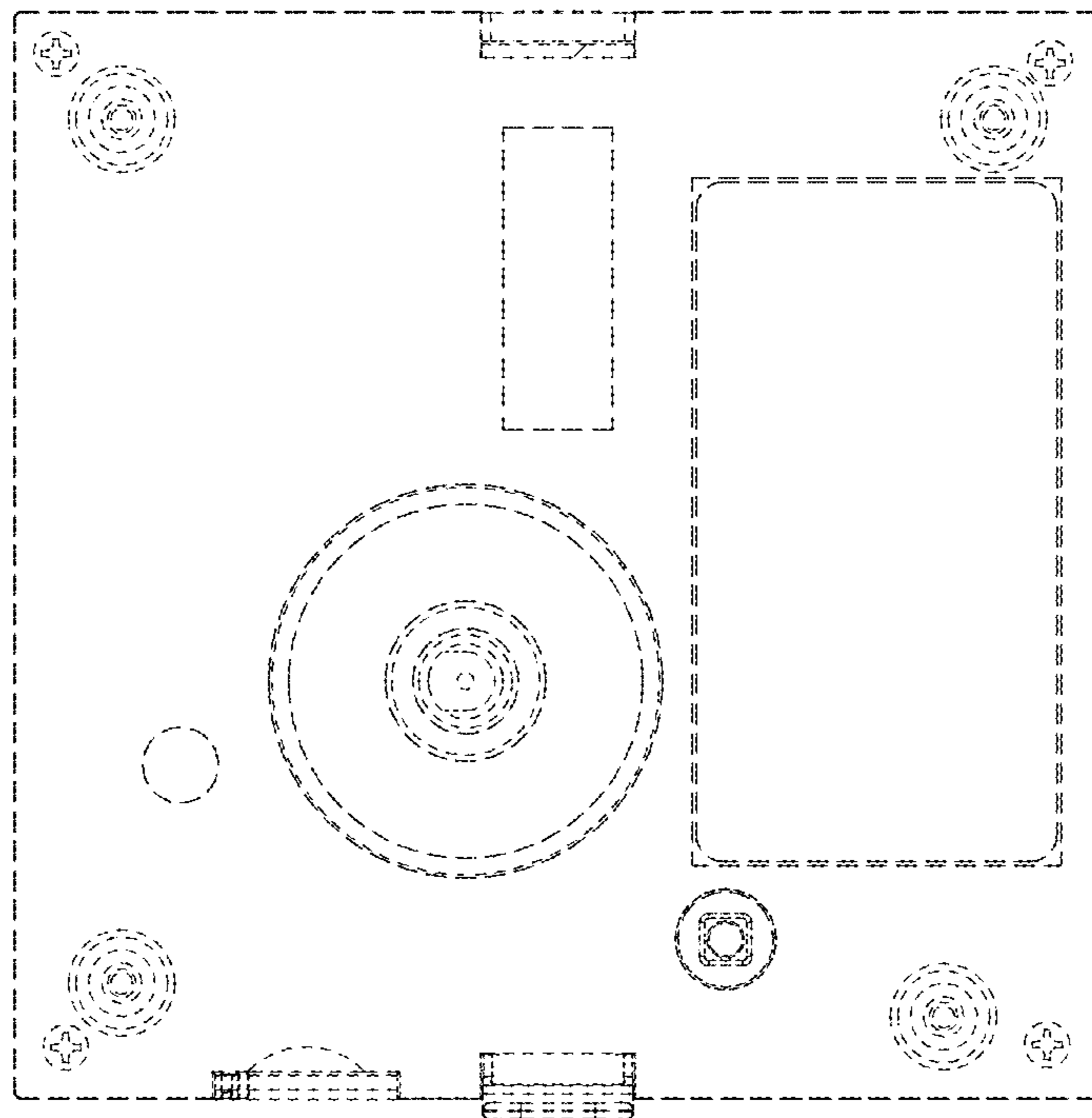


FIG. 16

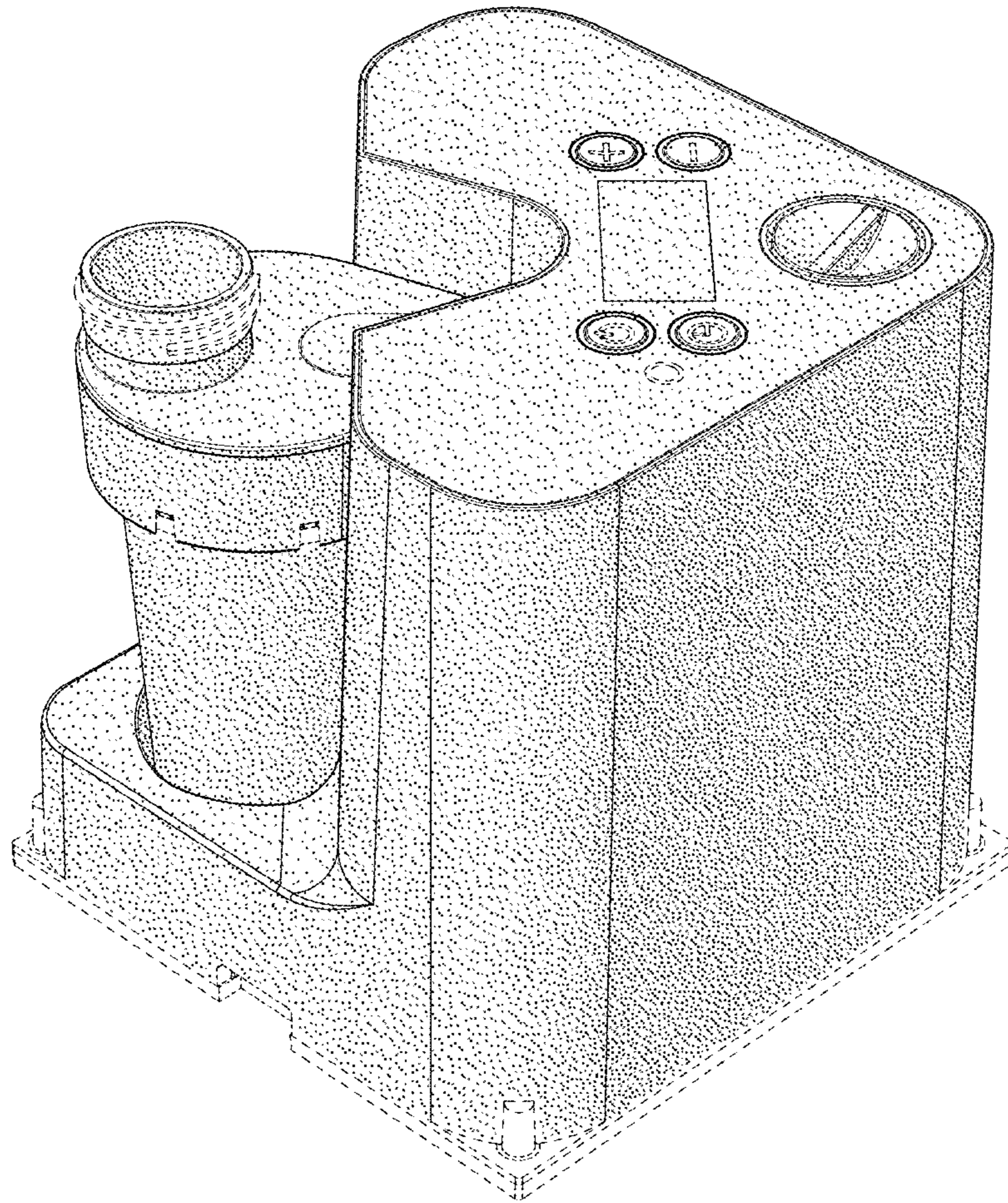


FIG.17

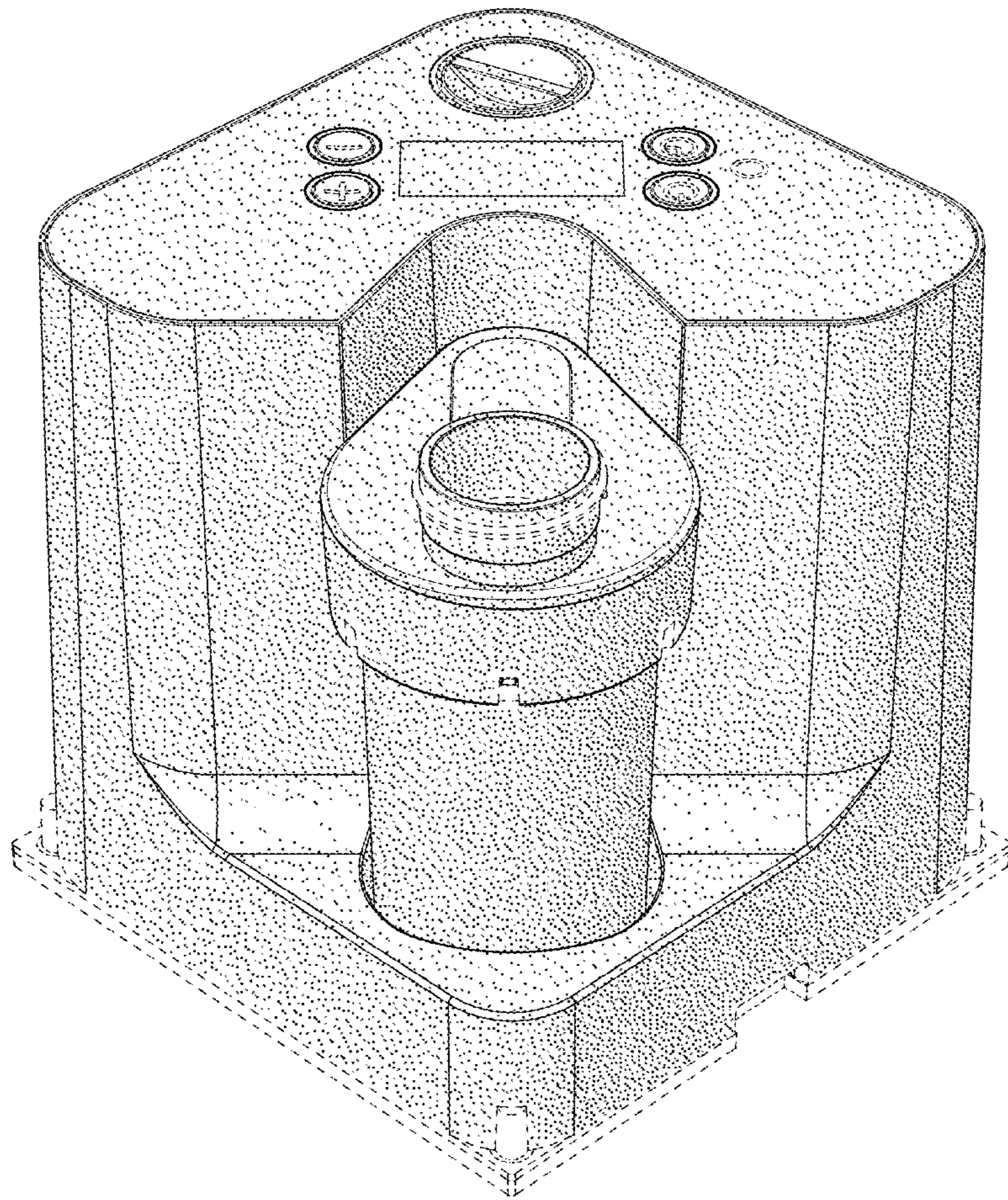


FIG. 18

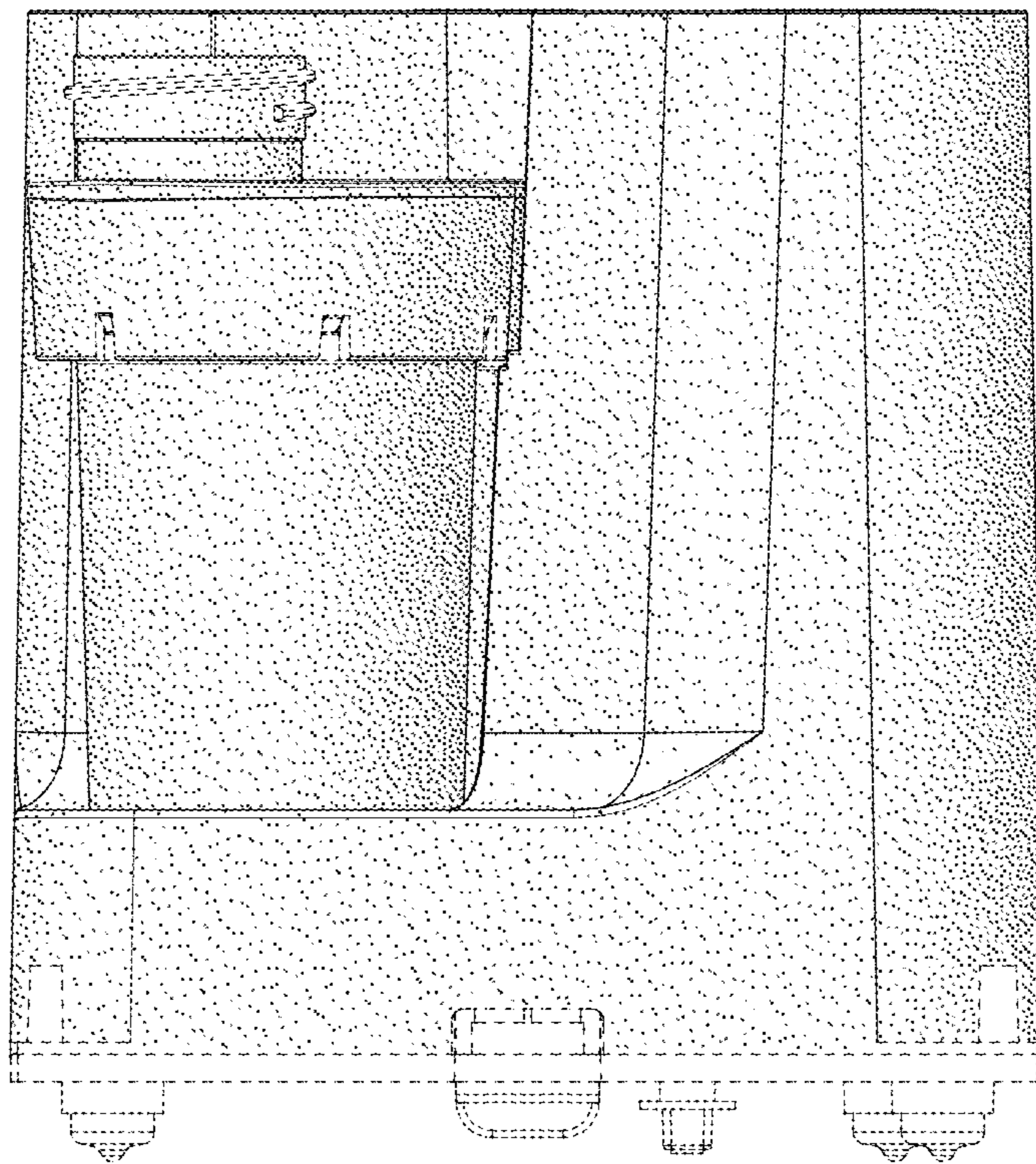


FIG. 19

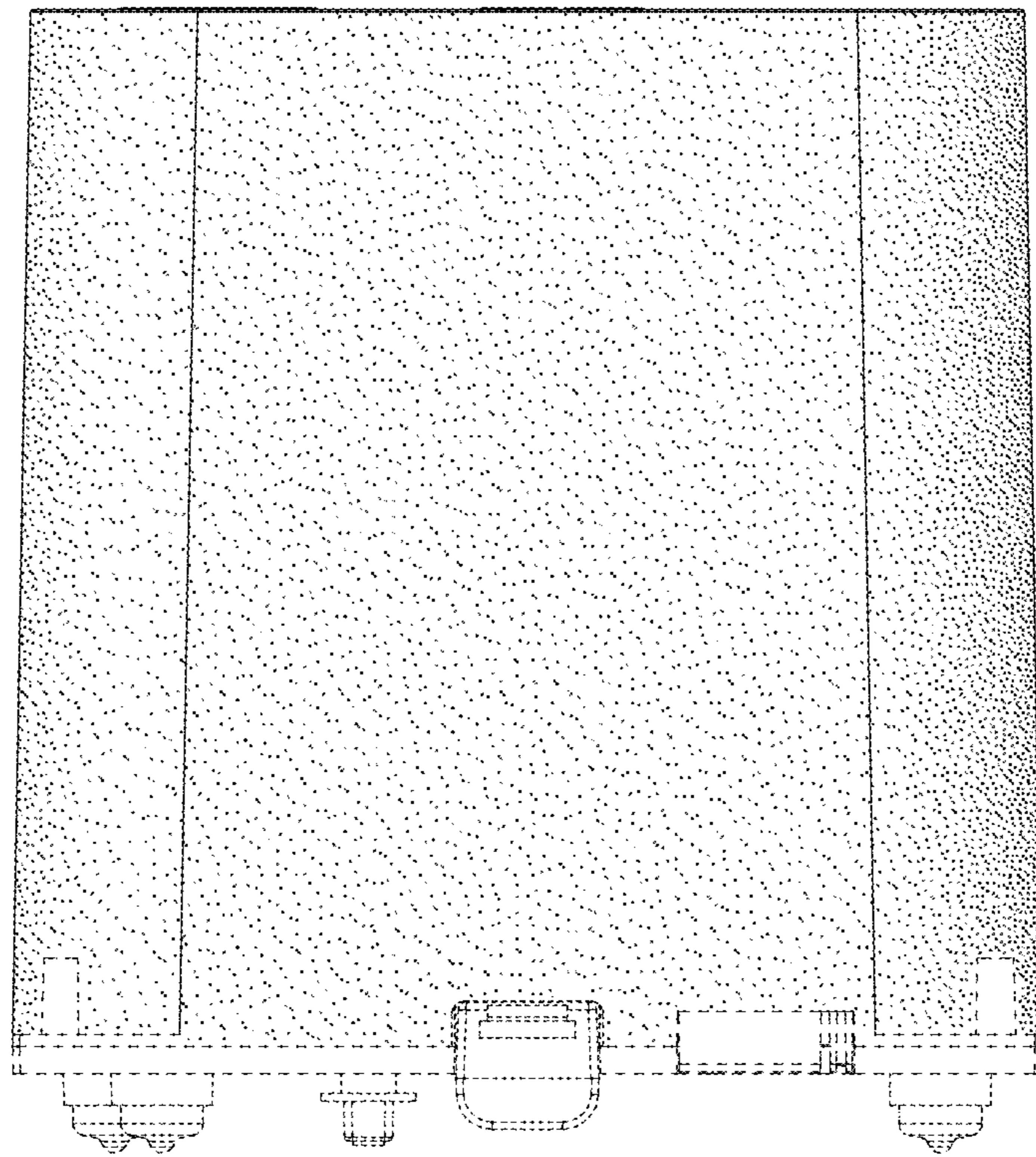


FIG. 20

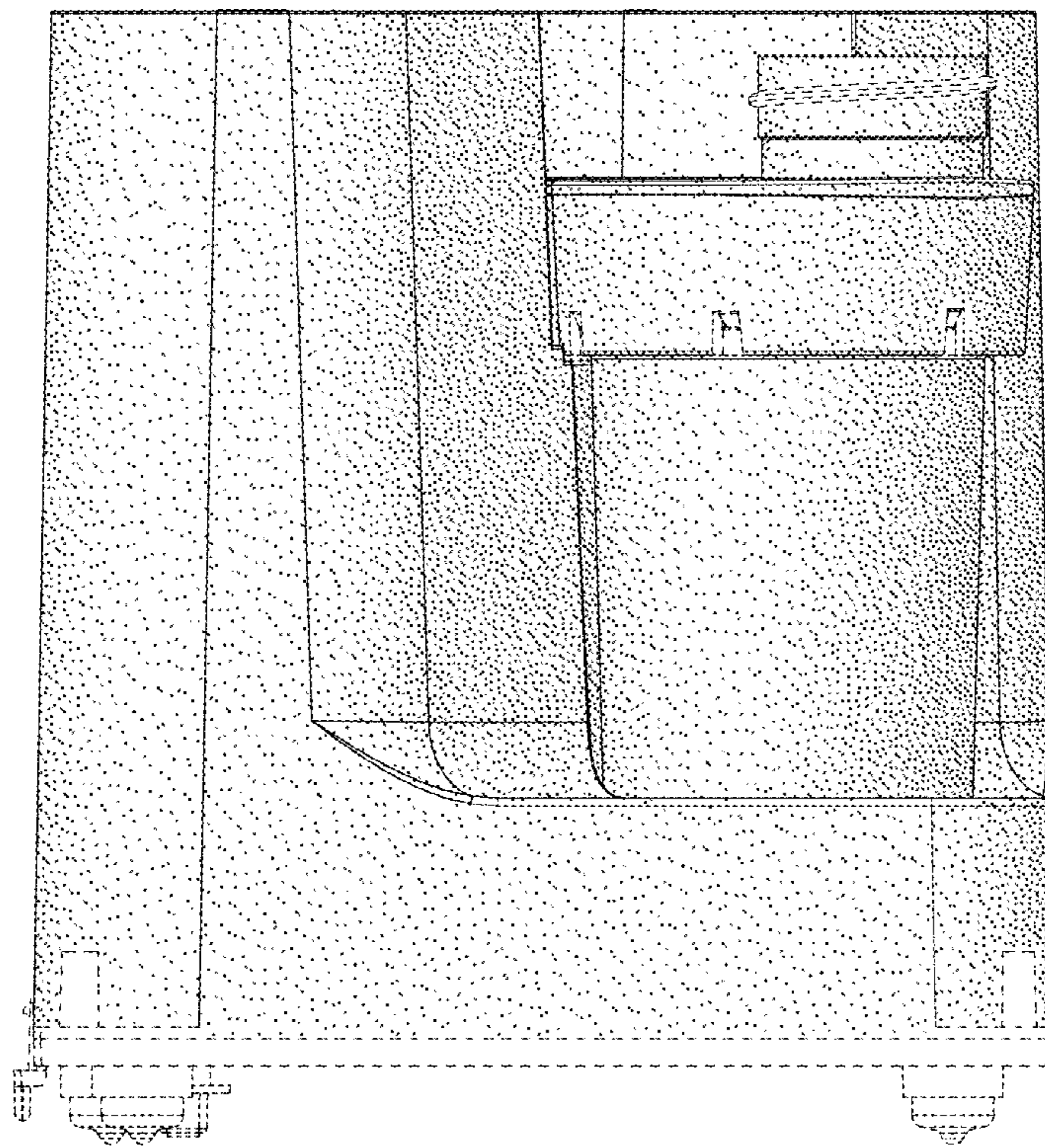


FIG. 21

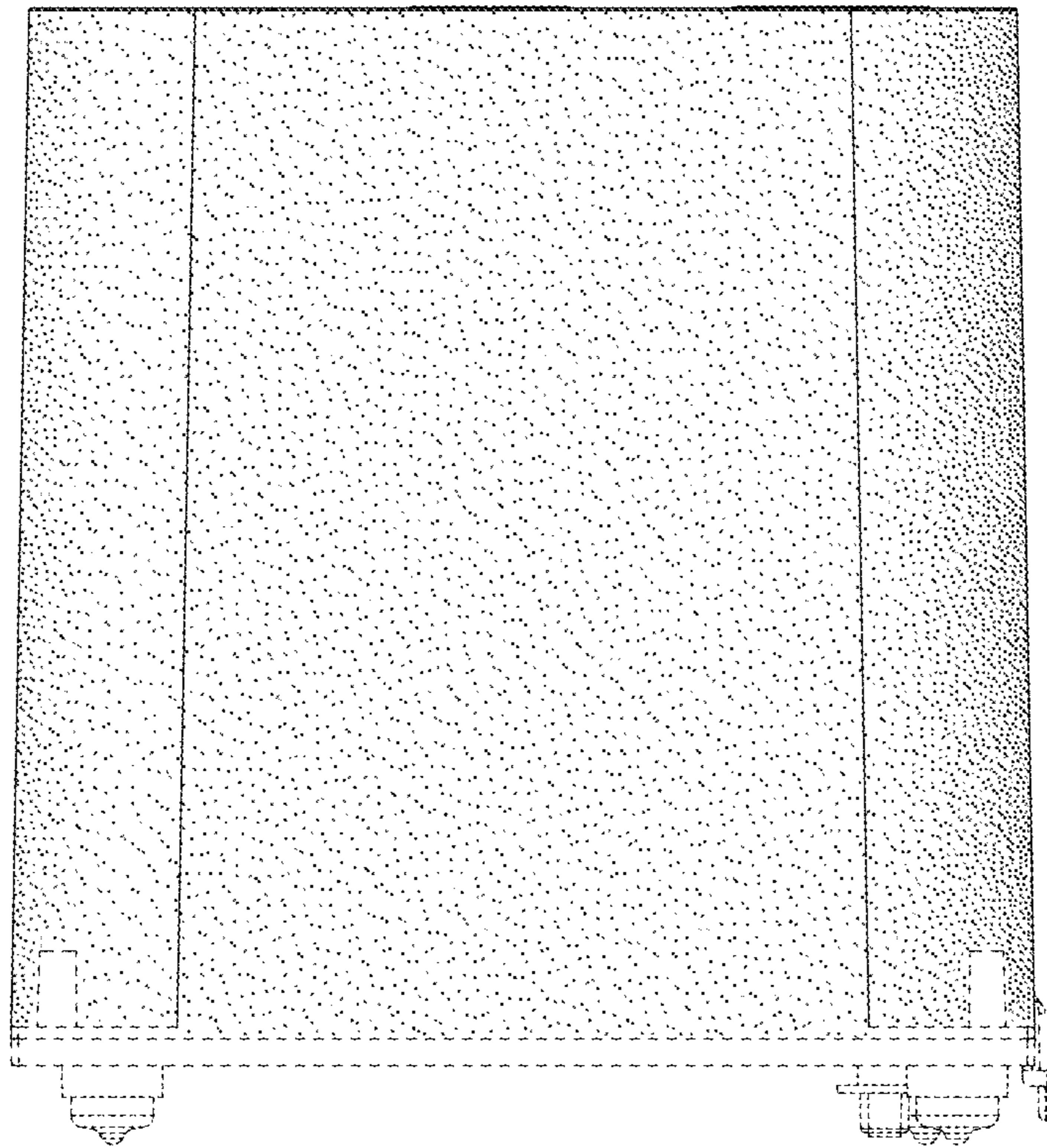


FIG. 22

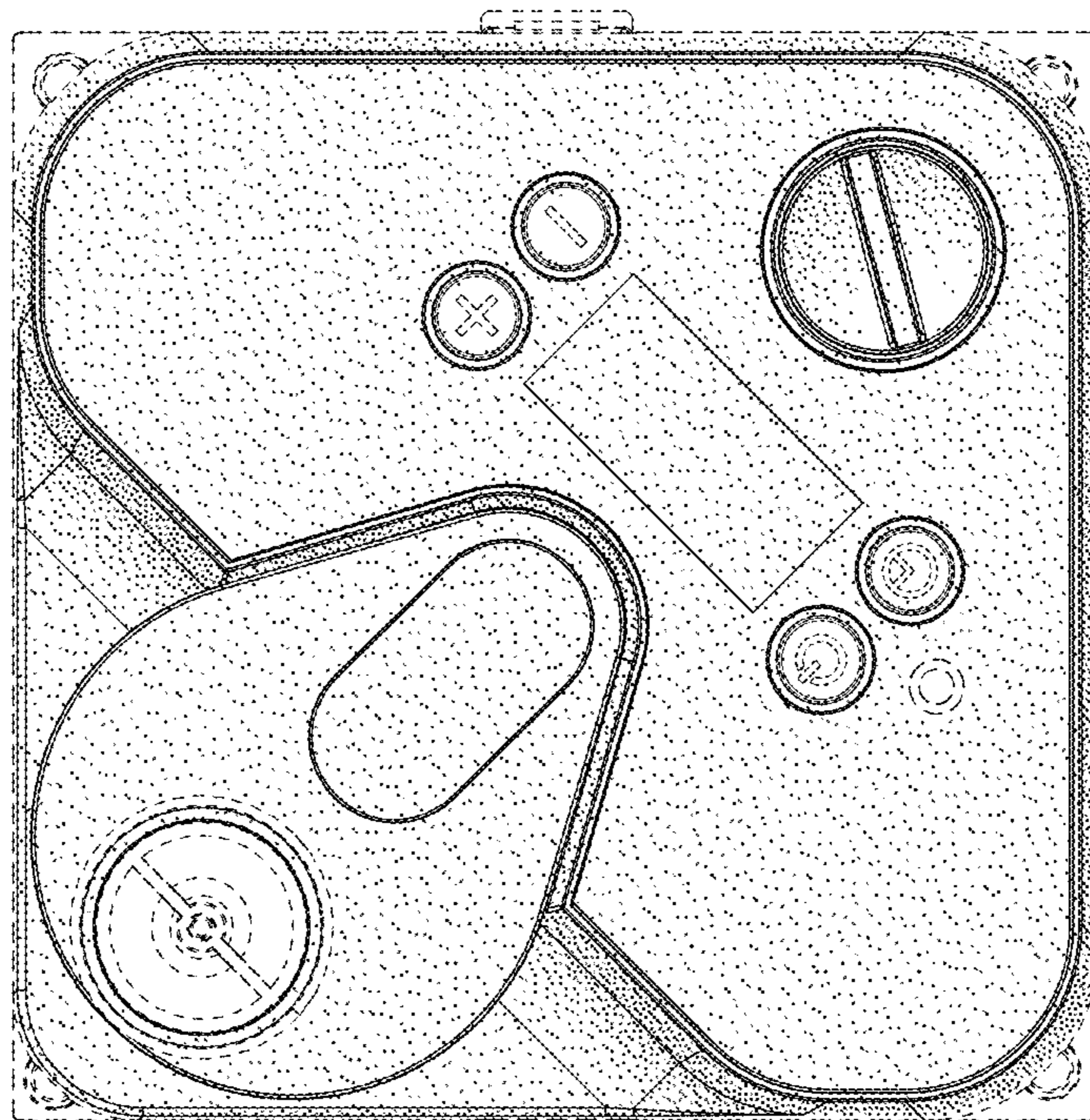


FIG. 23

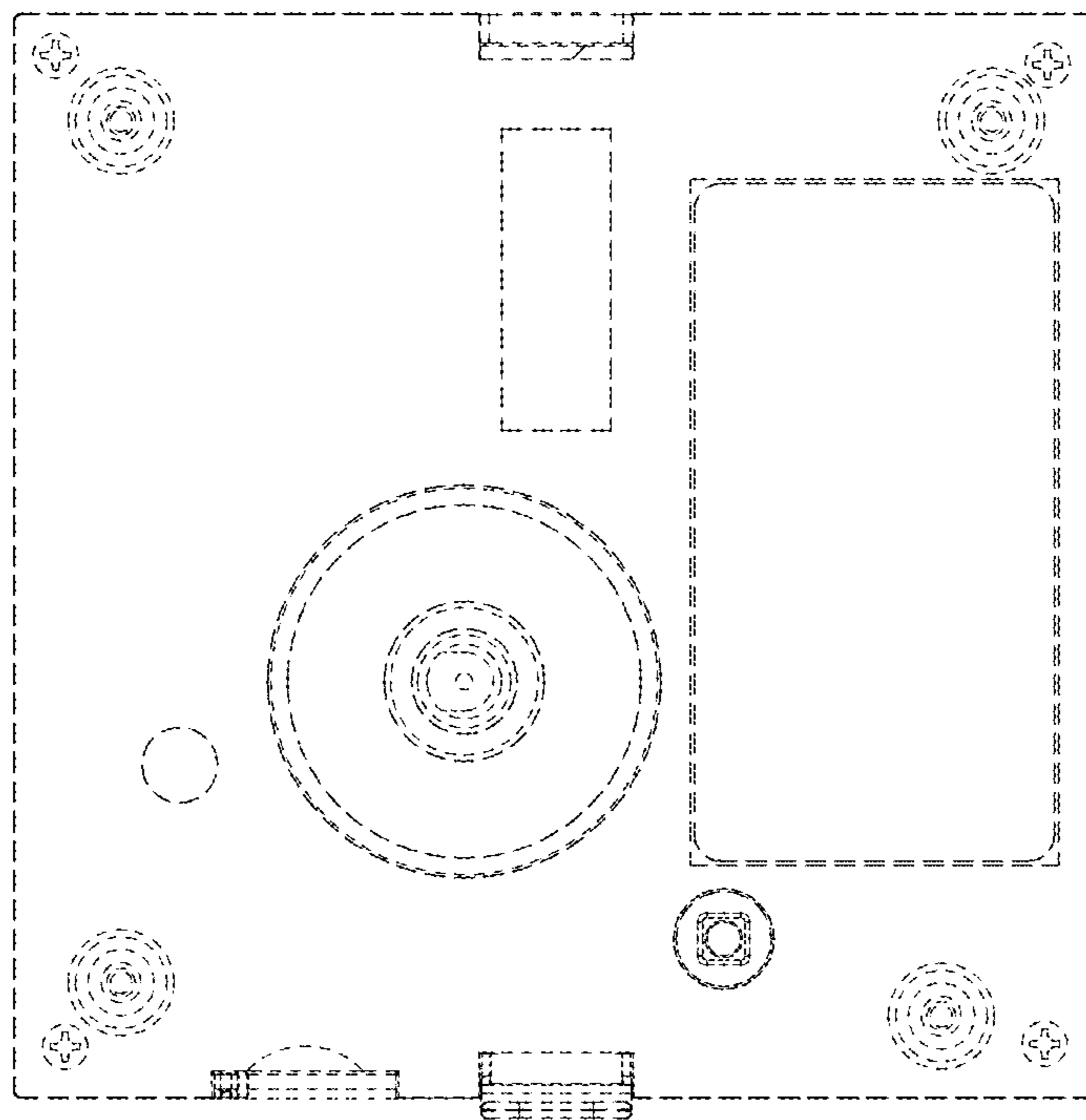


FIG. 24