



US00D800877S

(12) **United States Design Patent** (10) **Patent No.:** **US D800,877 S**  
**Uche** (45) **Date of Patent:** **\*\* Oct. 24, 2017**

(54) **BEDSIDE COMMODOE ASSEMBLY**

(71) Applicant: **Amadi Uche**, Rowlett, TX (US)

(72) Inventor: **Amadi Uche**, Rowlett, TX (US)

(\*\*) Term: **15 Years**

(21) Appl. No.: **29/566,192**

(22) Filed: **May 27, 2016**

(51) **LOC (10) Cl.** ..... **23-02**

(52) **U.S. Cl.**  
USPC ..... **D23/299**

(58) **Field of Classification Search**  
USPC ..... D23/295-301, 303, 309, 313  
CPC ..... A61G 5/1002; A47K 11/04; A47K 3/122;  
A47K 10/40  
See application file for complete search history.

(56) **References Cited**

**U.S. PATENT DOCUMENTS**

2,680,854	A	6/1954	Phillips	
2,913,732	A *	11/1959	Jones	A61G 5/1002
				297/188.12
4,052,087	A *	10/1977	Gagliardi	A47K 11/04
				280/43
4,334,330	A	6/1982	Marshall	
D276,931	S *	12/1984	Bard	D23/299
4,510,631	A *	4/1985	Grady	A47K 11/04
				280/43.24
D282,868	S *	3/1986	Shigenaka	D23/299
4,962,551	A *	10/1990	Bly	A47K 11/04
				16/DIG. 13
5,517,704	A *	5/1996	Dagostino	A47K 3/122
				4/480
D439,869	S *	4/2001	Kjell	D12/128
6,286,154	B1	9/2001	Pitts et al.	
6,305,035	B1 *	10/2001	Morris	A47K 10/40
				242/588
D619,226	S *	7/2010	Nelson	D23/299
2015/0182402	A1	7/2015	Nelson et al.	

**OTHER PUBLICATIONS**

Bedside Commode Assembly Reference found online [Apr. 4, 2017]  
[https://www.activeforever.com/drive-4-wheel-commode-shower-chair.\\*](https://www.activeforever.com/drive-4-wheel-commode-shower-chair.*)

\* cited by examiner

*Primary Examiner* — Robert M Spear

*Assistant Examiner* — John Voytek

(74) *Attorney, Agent, or Firm* — Law Office of Jeff Williams; J. Oliver Williams

(57) **CLAIM**

The ornamental design for a bedside commode assembly, as shown.

**DESCRIPTION**

FIG. 1 is a perspective view of a bedside commode assembly according to the present application.

FIG. 2 is a front view of the bedside commode assembly of FIG. 1.

FIG. 3 is a back view of the bedside commode assembly of FIG. 1.

FIG. 4 is a right view of the bedside commode assembly of FIG. 1.

FIG. 5 is a left view of the bedside commode assembly of FIG. 1.

FIG. 6 is a top view of the bedside commode assembly of FIG. 1.

FIG. 7 is a bottom view of the bedside commode assembly of FIG. 1.

FIG. 8 is an alternate perspective view of the bedside commode assembly of FIG. 1.

FIG. 9 is an exploded perspective view of the bedside commode assembly of FIG. 1; and,

FIG. 10 is the bedside commode assembly of FIG. 1 shown in an alternate position of use.

**1 Claim, 10 Drawing Sheets**



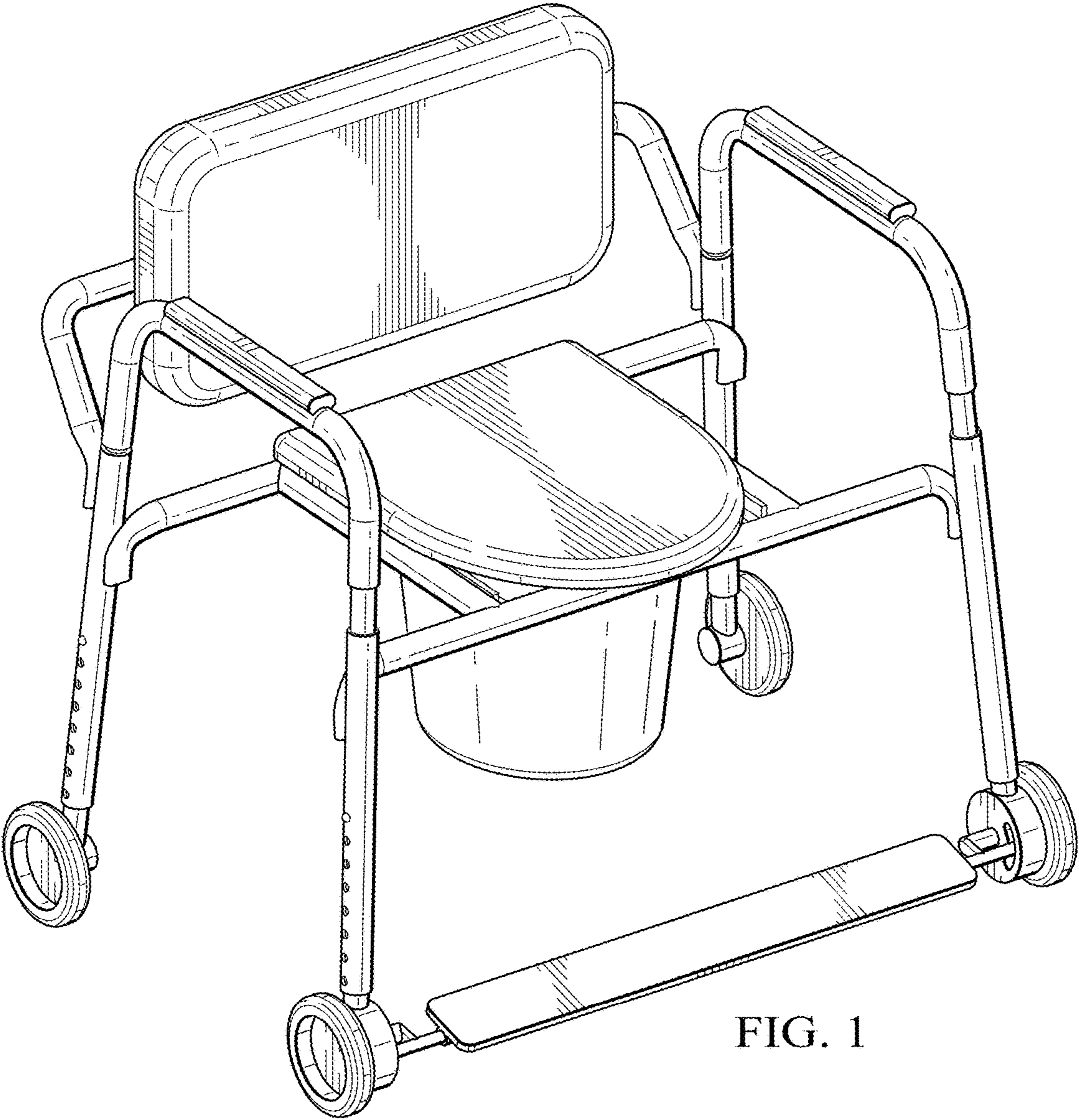


FIG. 1

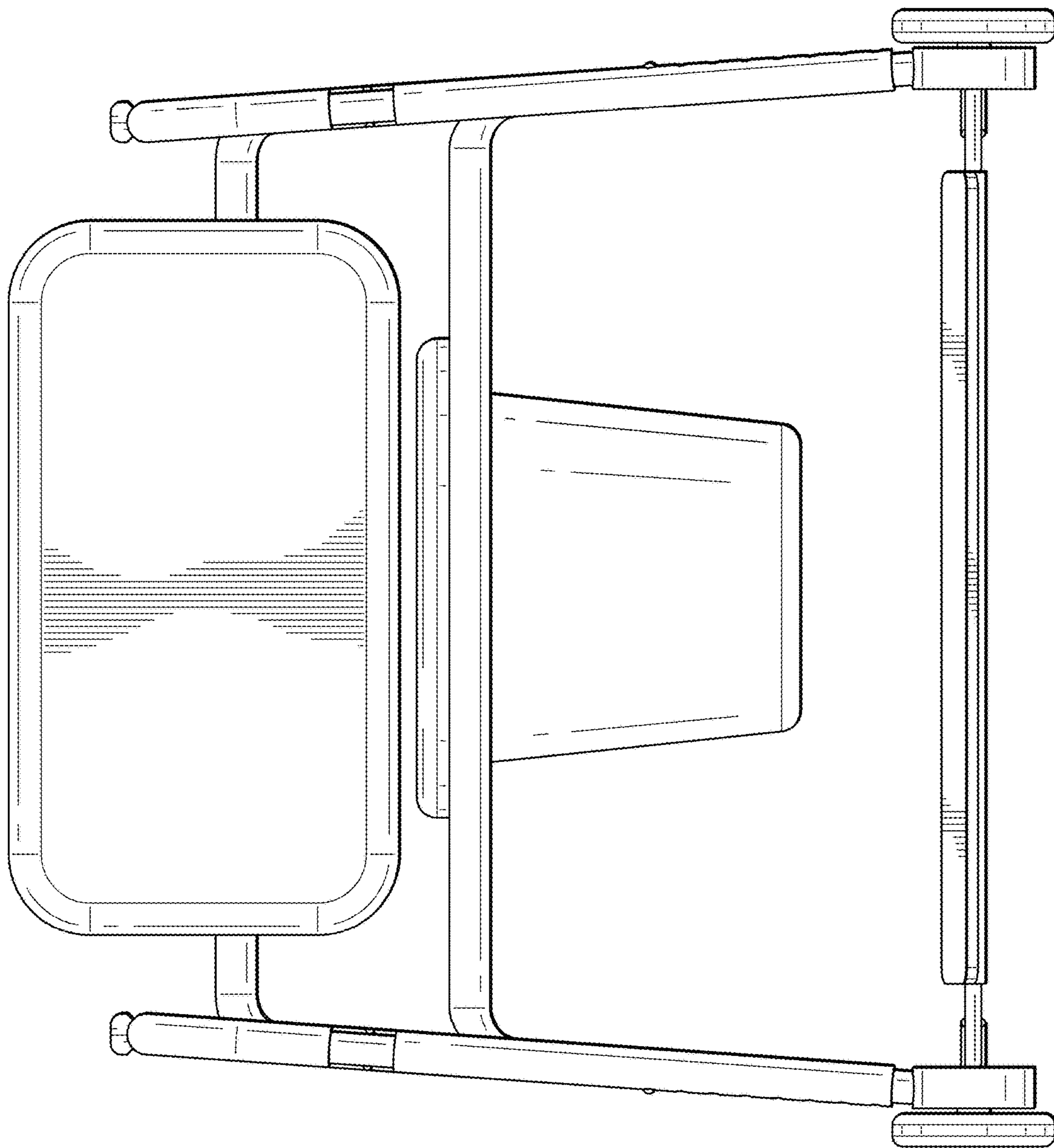


FIG. 2

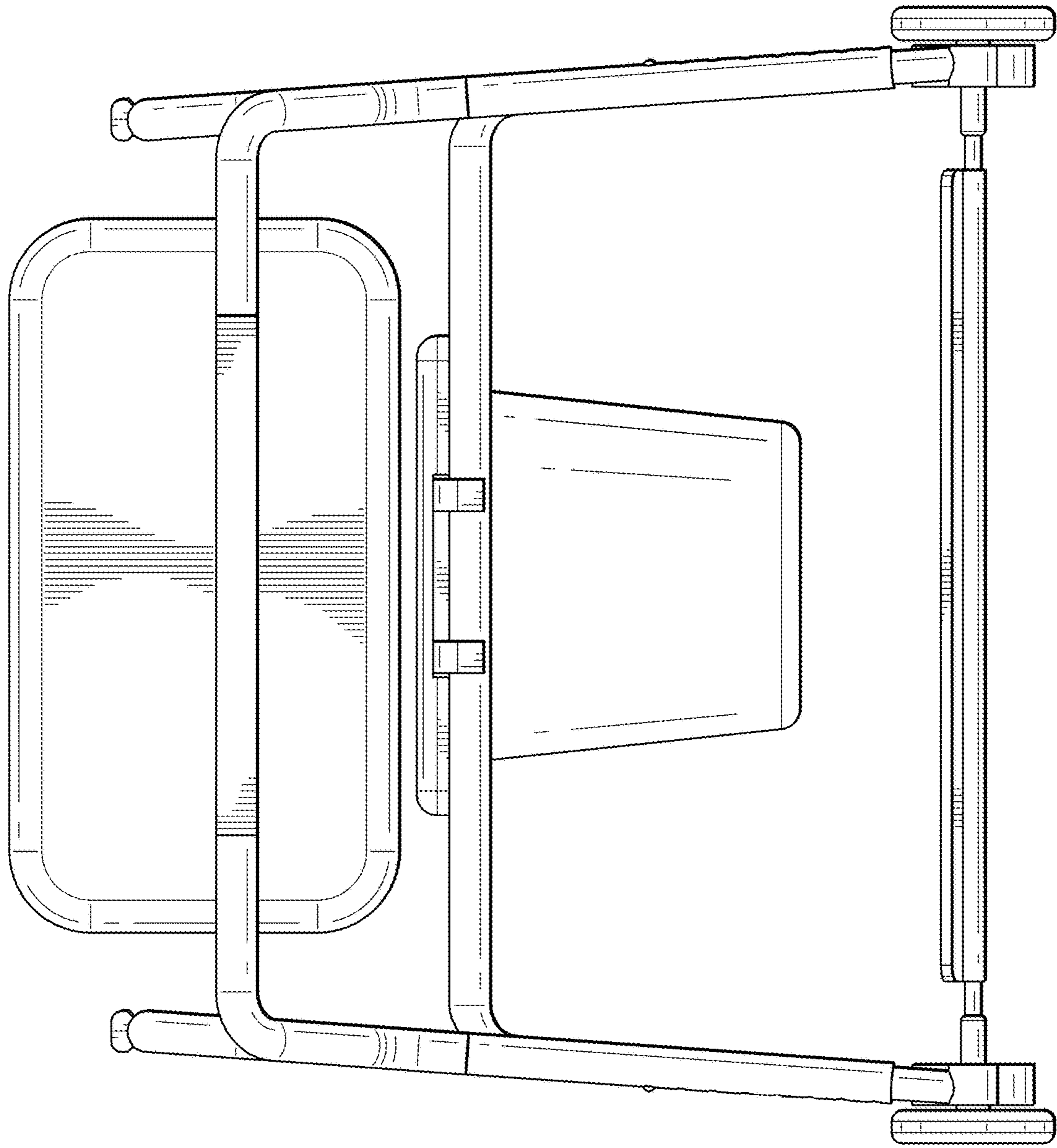


FIG. 3

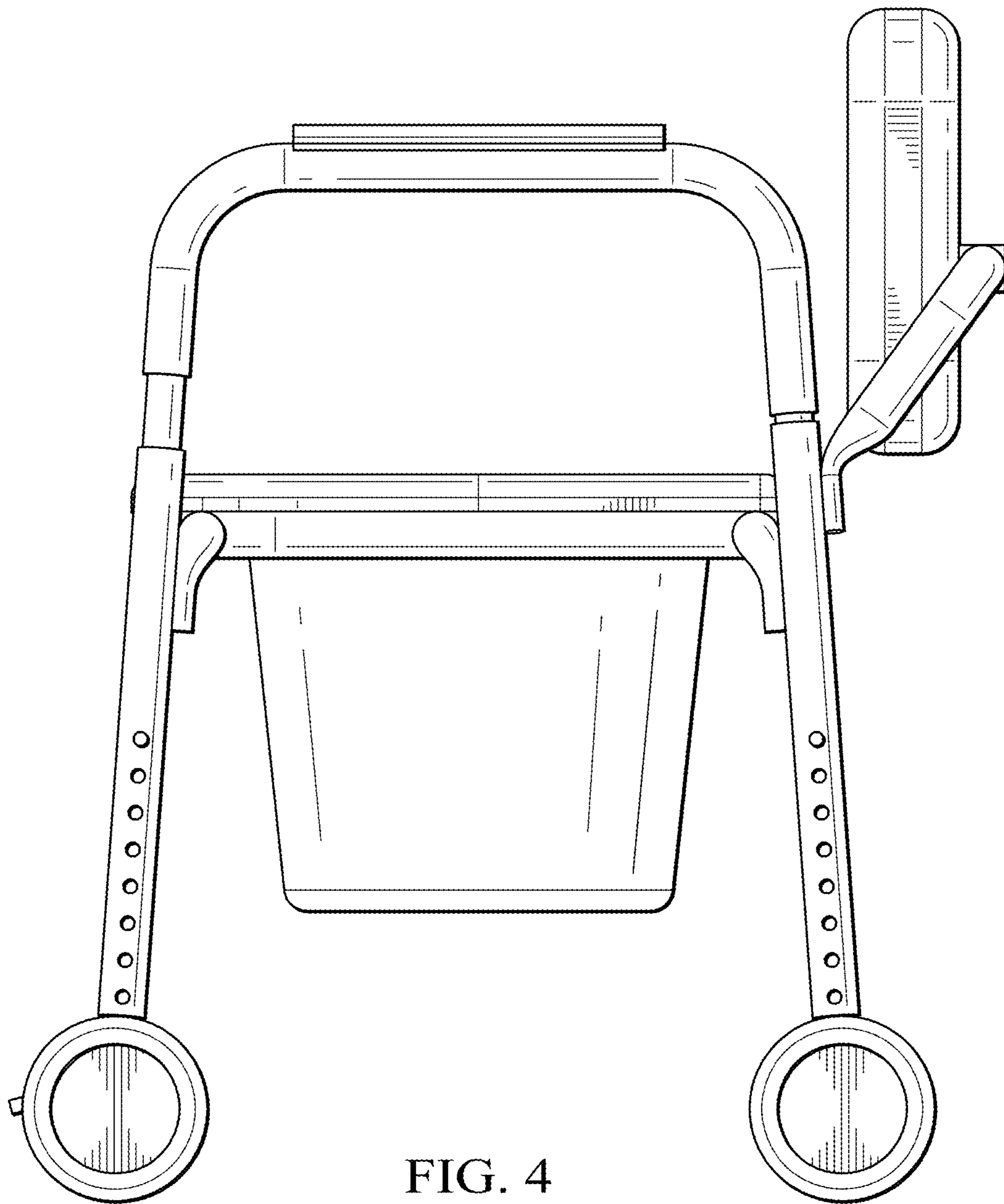


FIG. 4

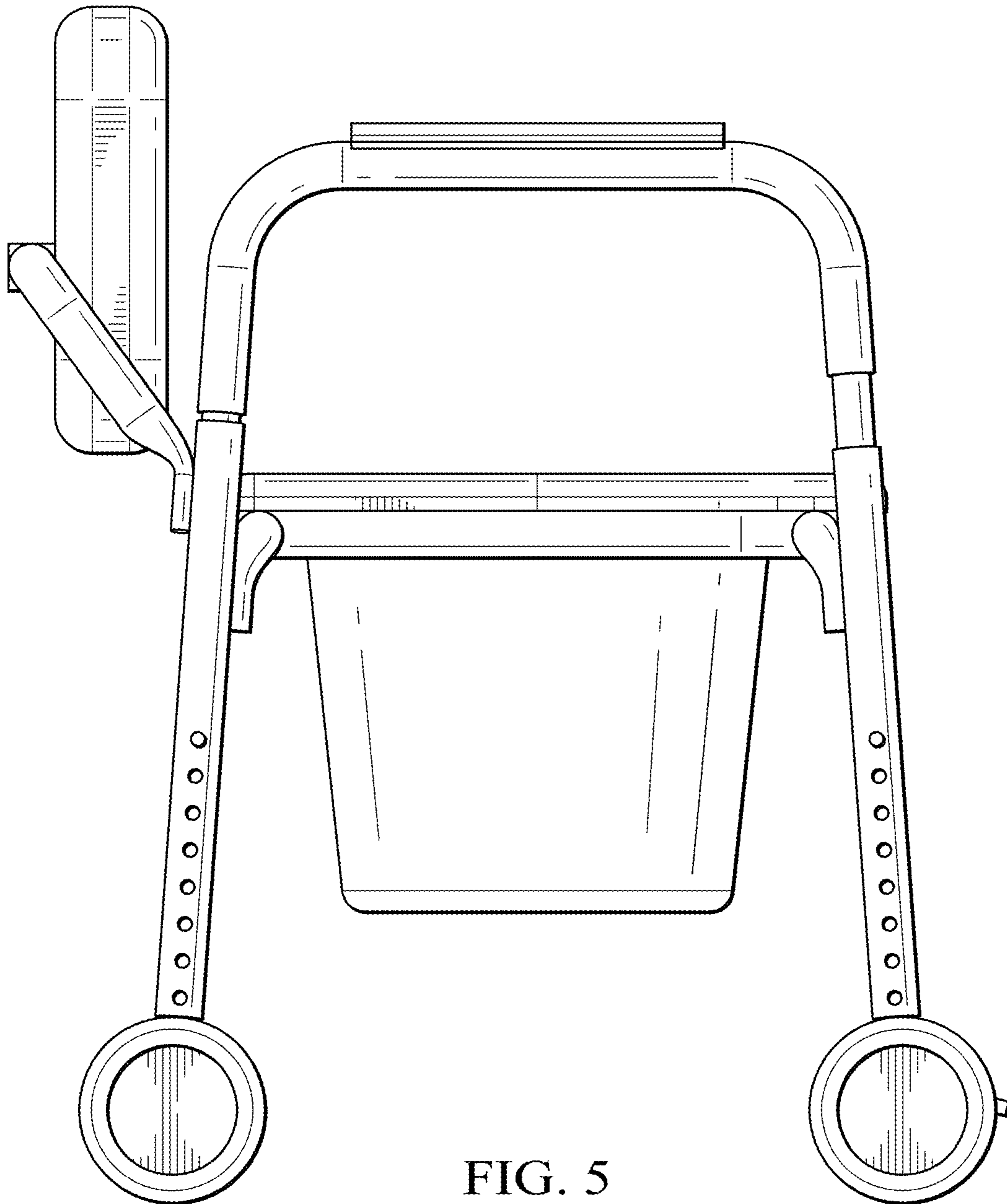


FIG. 5

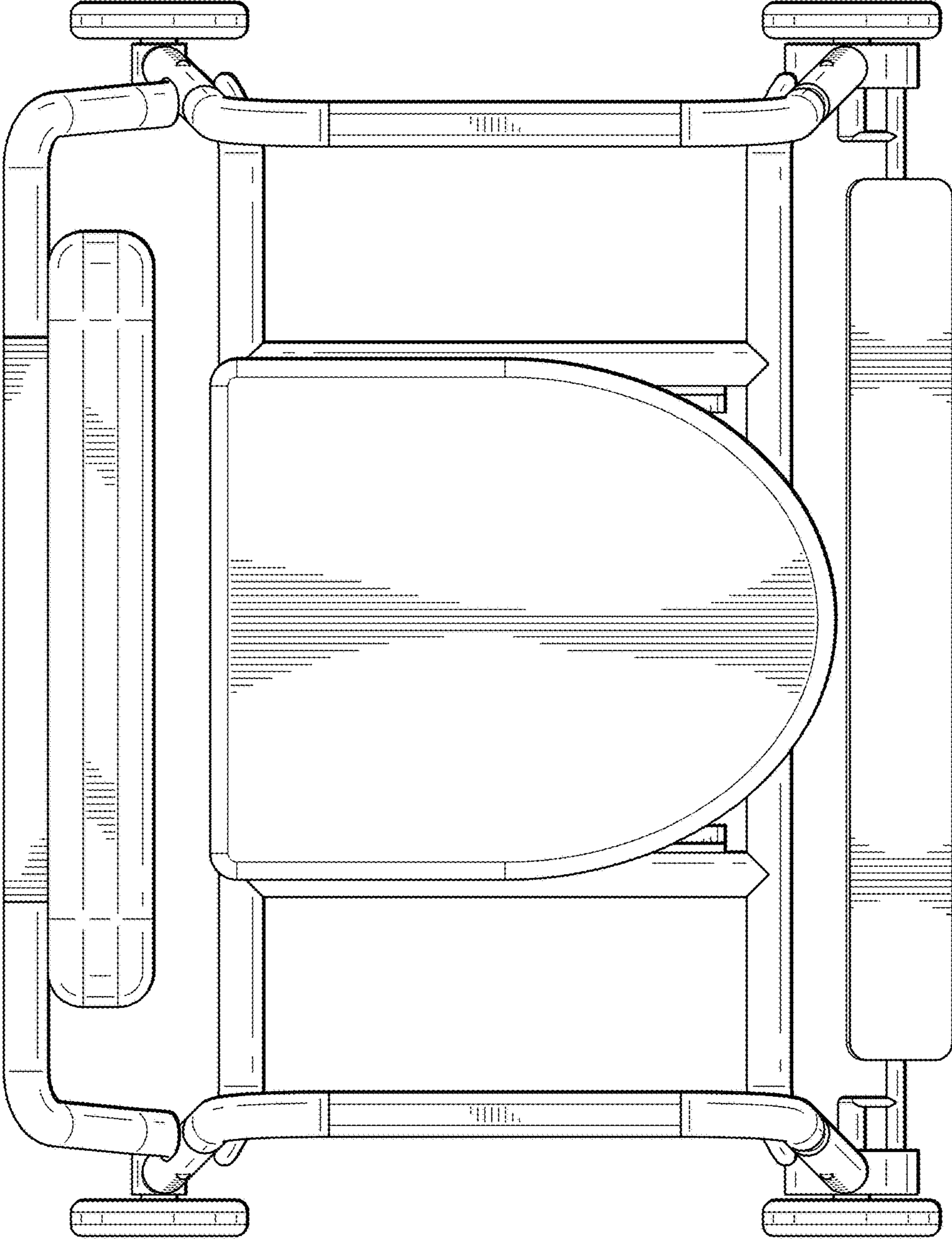


FIG. 6

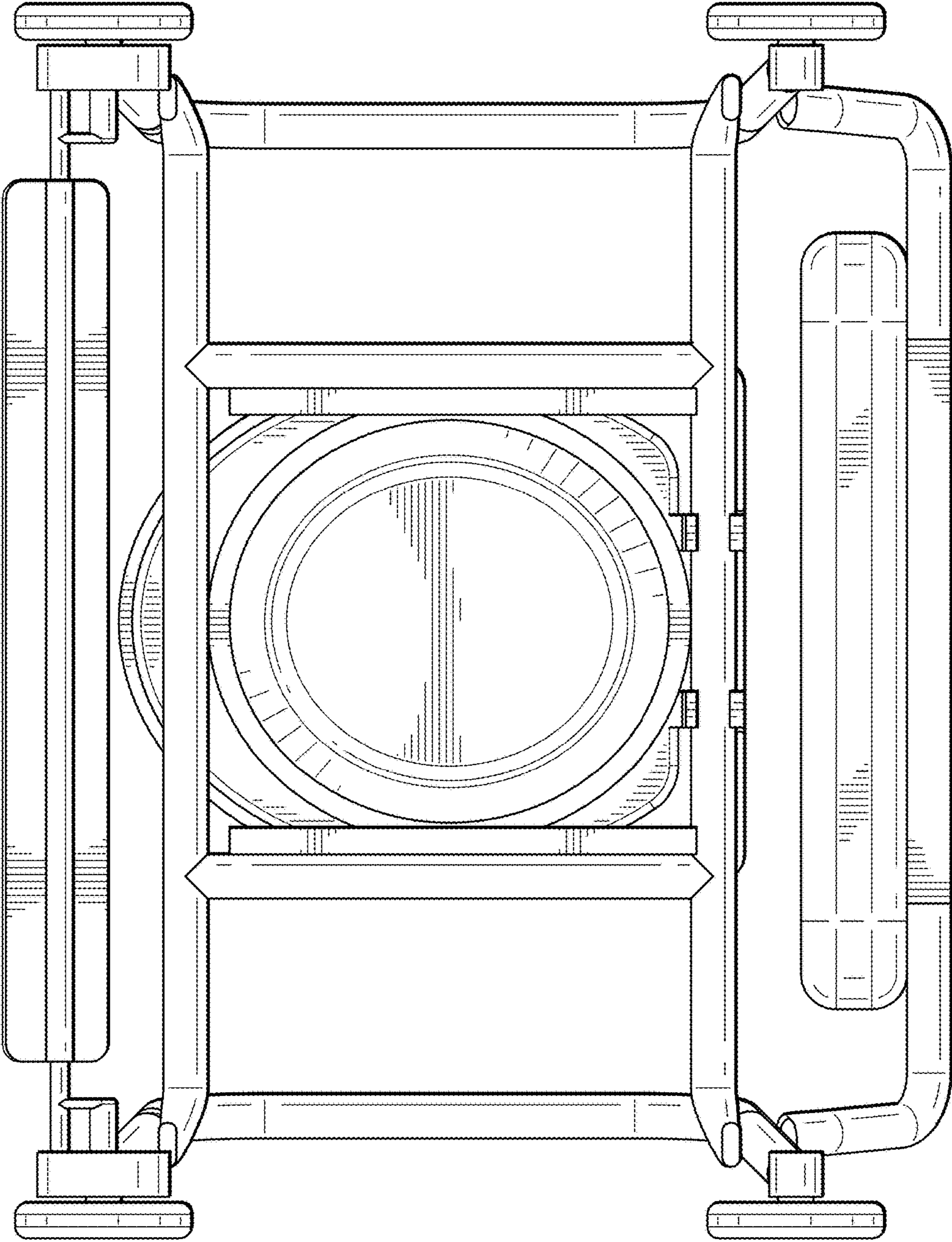


FIG. 7



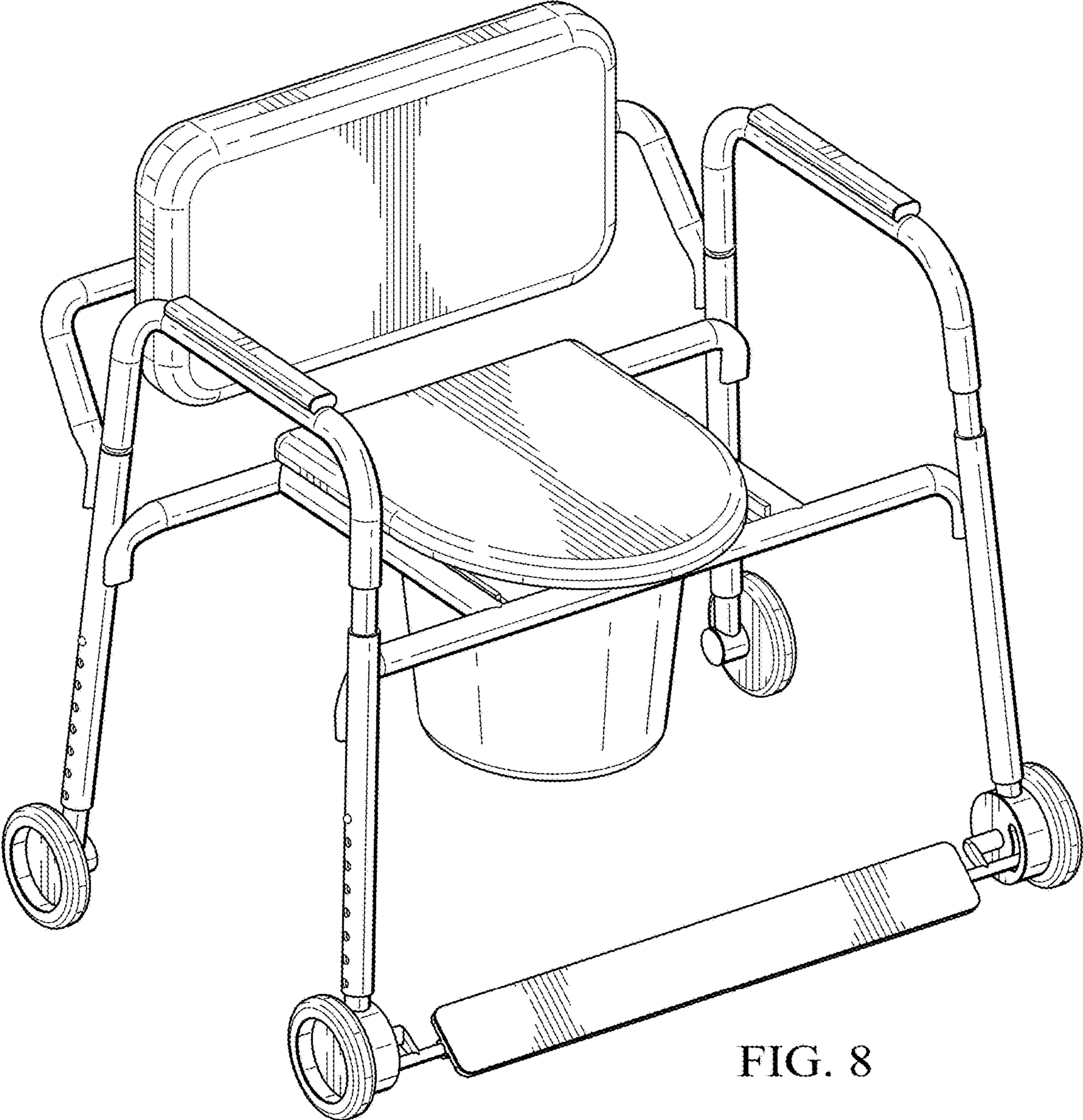


FIG. 8

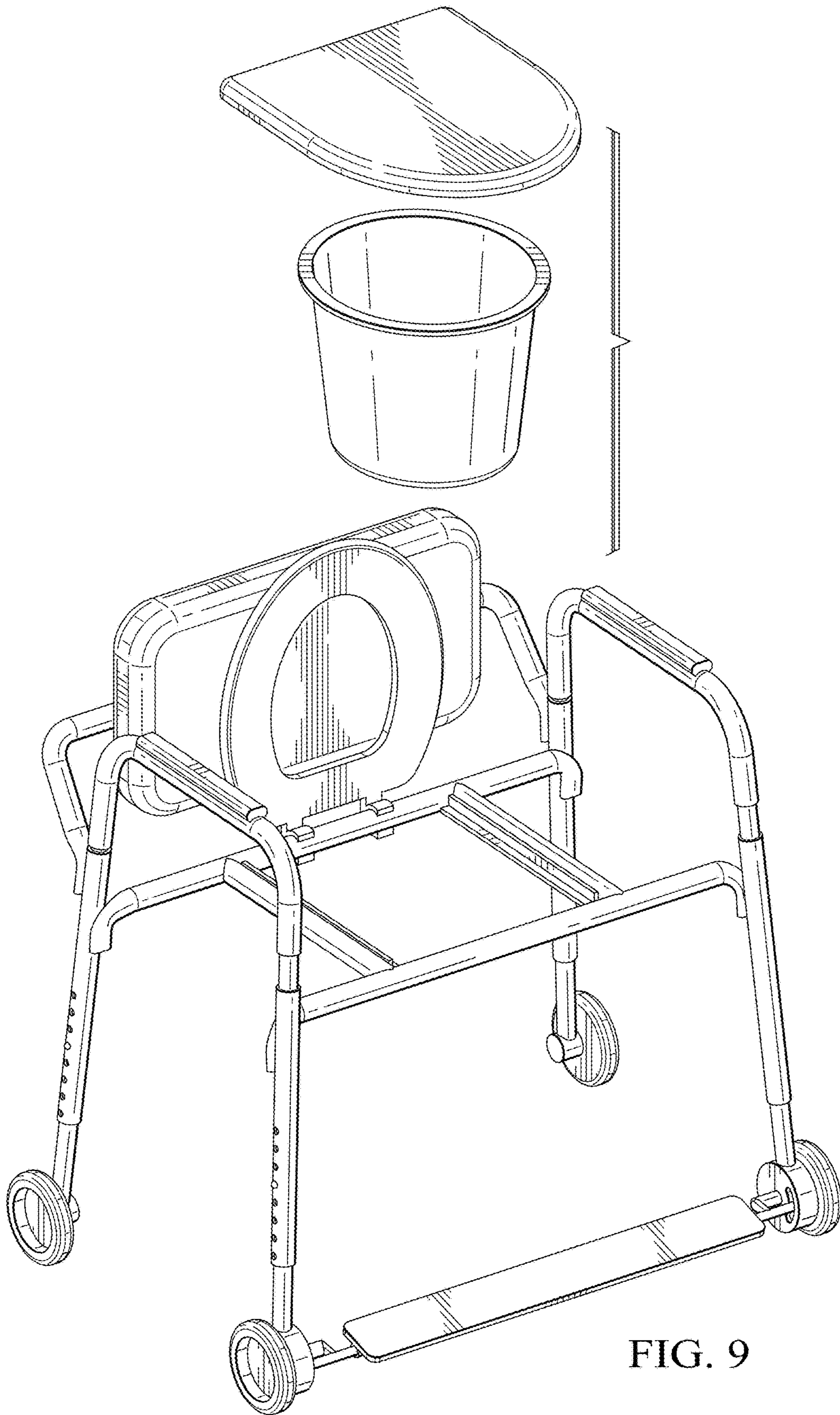


FIG. 9

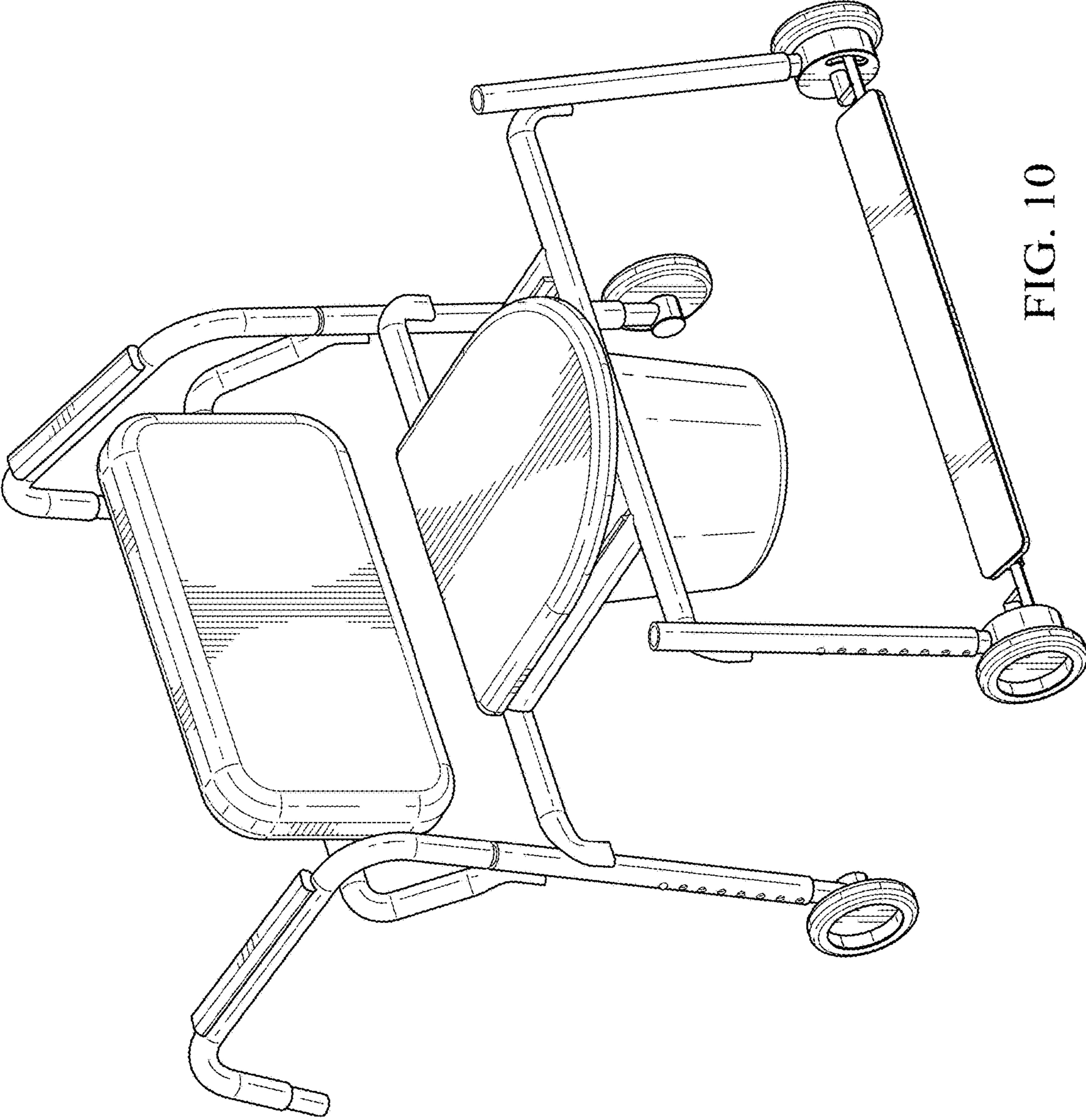


FIG. 10