



US00D800875S

(12) **United States Design Patent** (10) **Patent No.:** **US D800,875 S**
Sykes (45) **Date of Patent:** **** Oct. 24, 2017**

(54) **FLUSH VALVE COVER**

(71) Applicant: **Edward Sykes**, Carson, CA (US)

(72) Inventor: **Edward Sykes**, Carson, CA (US)

(**) Term: **15 Years**

(21) Appl. No.: **29/571,807**

(22) Filed: **Jul. 21, 2016**

(51) **LOC (10) Cl.** **23-01**

(52) **U.S. Cl.**
USPC **D23/249**

(58) **Field of Classification Search**
USPC D23/233-249; 137/382, 343, 800, 15.01,
137/347, 377; 220/724; 251/129.04;
105/360

CPC F16K 27/12; F16K 35/10
See application file for complete search history.

(56) **References Cited**

U.S. PATENT DOCUMENTS

D354,113 S *	1/1995	Nortier	D23/233
D355,478 S *	2/1995	Allen	D23/249
D357,976 S *	5/1995	Allen	D23/249
5,690,141 A *	11/1997	Creaghe	B65D 90/10 105/360
D396,090 S *	7/1998	Marcichow	D23/233
D470,921 S *	2/2003	Bush	D23/249
D739,500 S *	9/2015	Buermann	D23/249
D760,872 S *	7/2016	Chandler, Jr.	D23/249
2009/0223982 A1 *	9/2009	Borne	E03C 1/021 220/724
2016/0123496 A1 *	5/2016	Buermann	F16K 27/12 137/15.01

OTHER PUBLICATIONS

Sloan. "Sloan A-72 Flush Valve Cover", www.kullysupple.com. Web. Jun. 17, 2017. Shown in p. 1. Model A-72, Item #101277.*

* cited by examiner

Primary Examiner — Cynthia Ramirez

Assistant Examiner — Gino Colan

(74) *Attorney, Agent, or Firm* — Lawrence S. Cohen

(57) **CLAIM**

The ornamental design for a flush valve cover, as shown and described.

DESCRIPTION

FIG. 1 is a top perspective view of a flush valve cover showing my new design;

FIG. 2 is a bottom perspective view thereof;

FIG. 3 is a front elevational view thereof, the back elevational view being a mirror image of FIG. 3;

FIG. 4 is a side elevational view thereof, the other side view being a mirror image of FIG. 4;

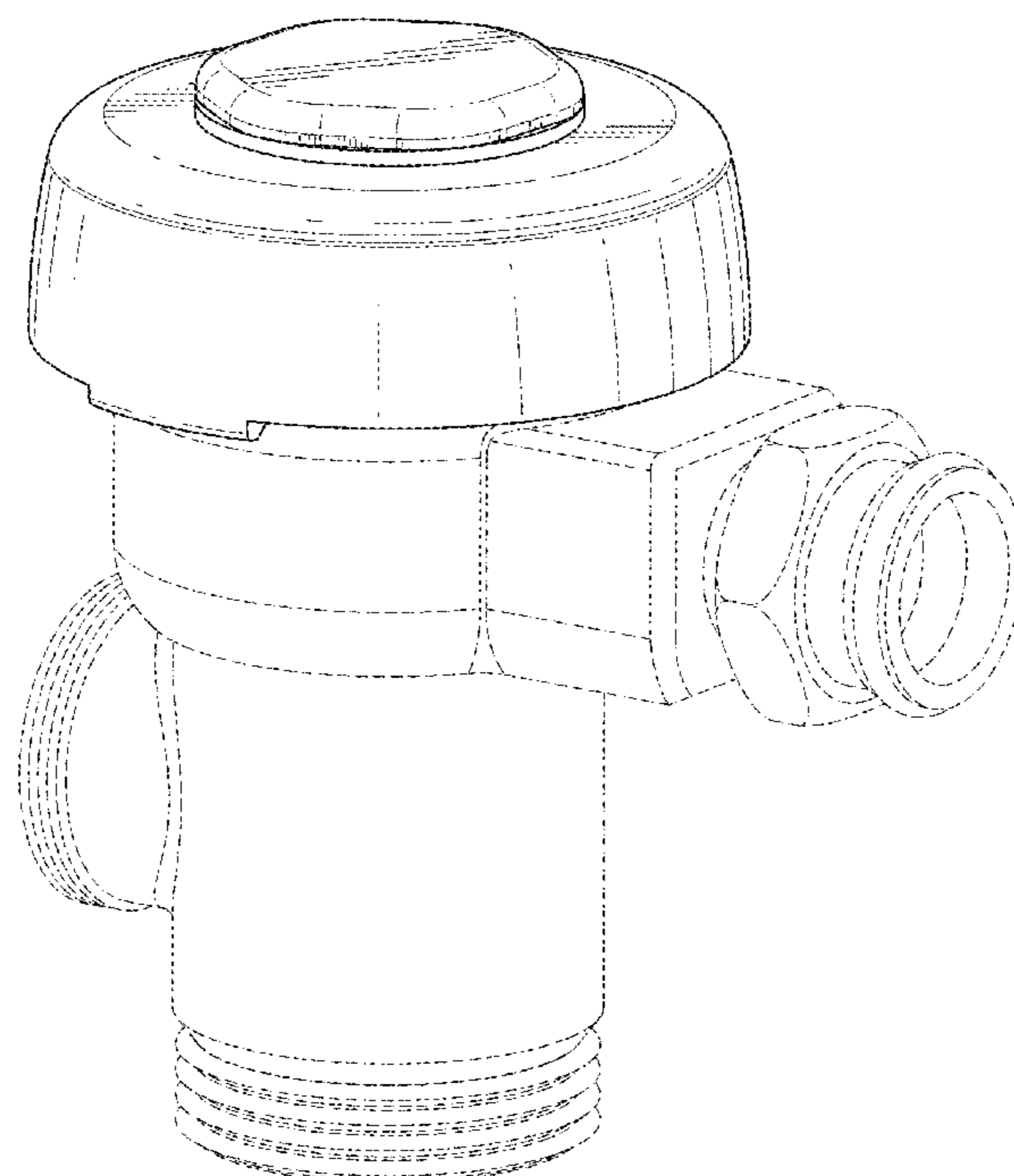
FIG. 5 is a top plan view thereof;

FIG. 6 is a bottom plan view thereof; and,

FIG. 7 is a cross-sectional view thereof along section line 7-7 of FIG. 6.

The broken lines showing a flush valve in FIG. 1 are included for the purpose of illustrating environment and form no part of the claimed design.

1 Claim, 4 Drawing Sheets



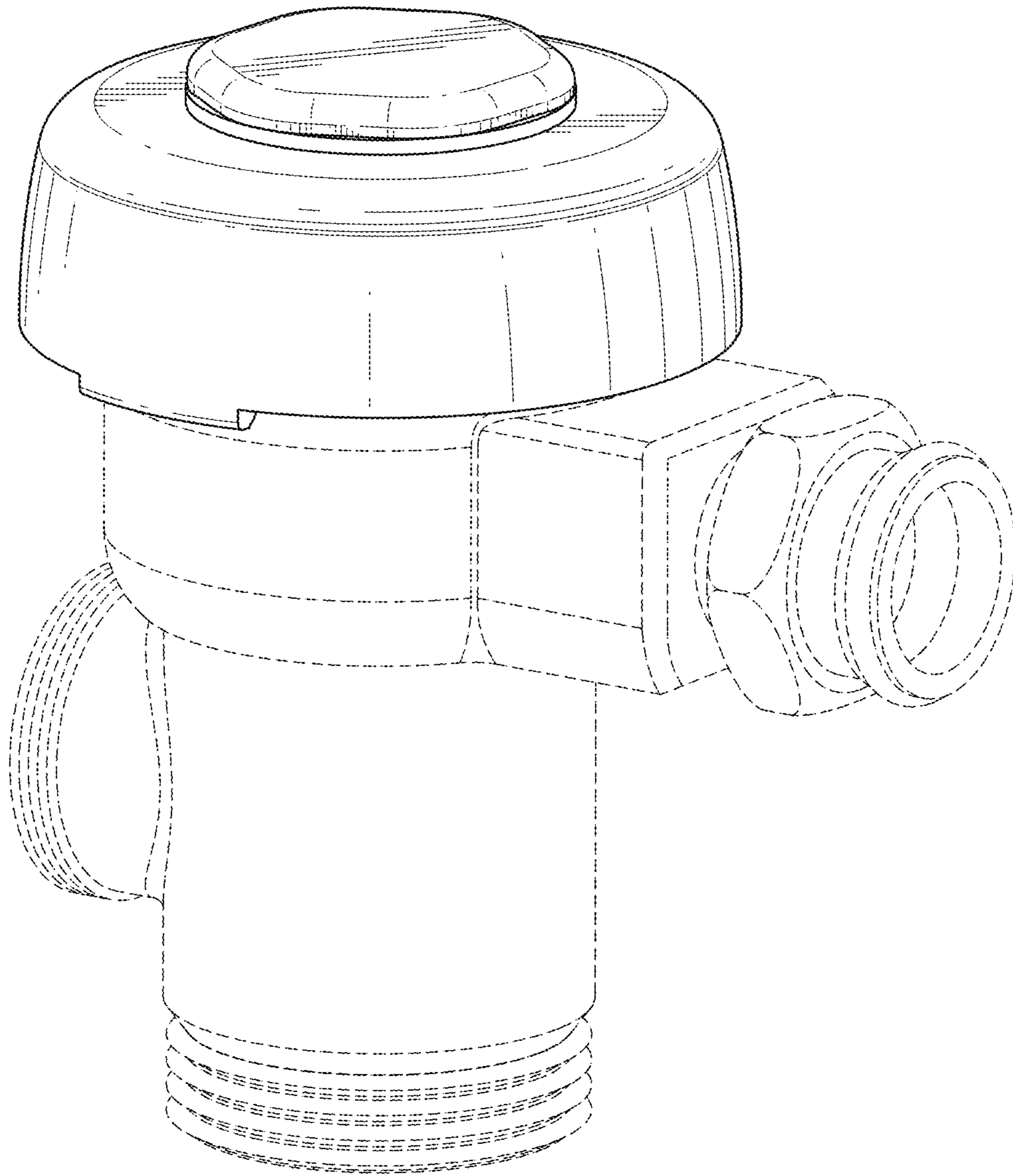


FIG. 1

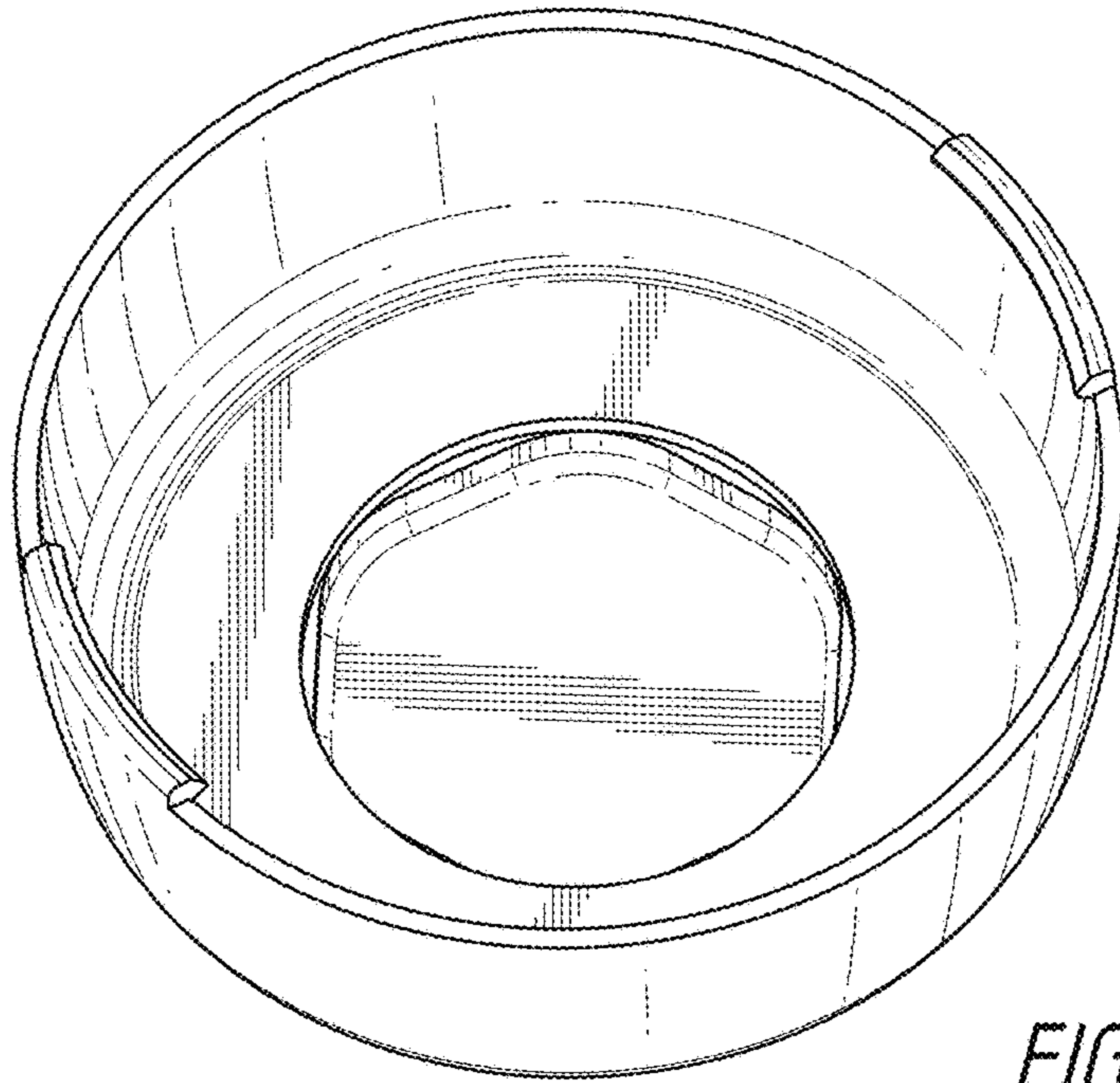


FIG. 2

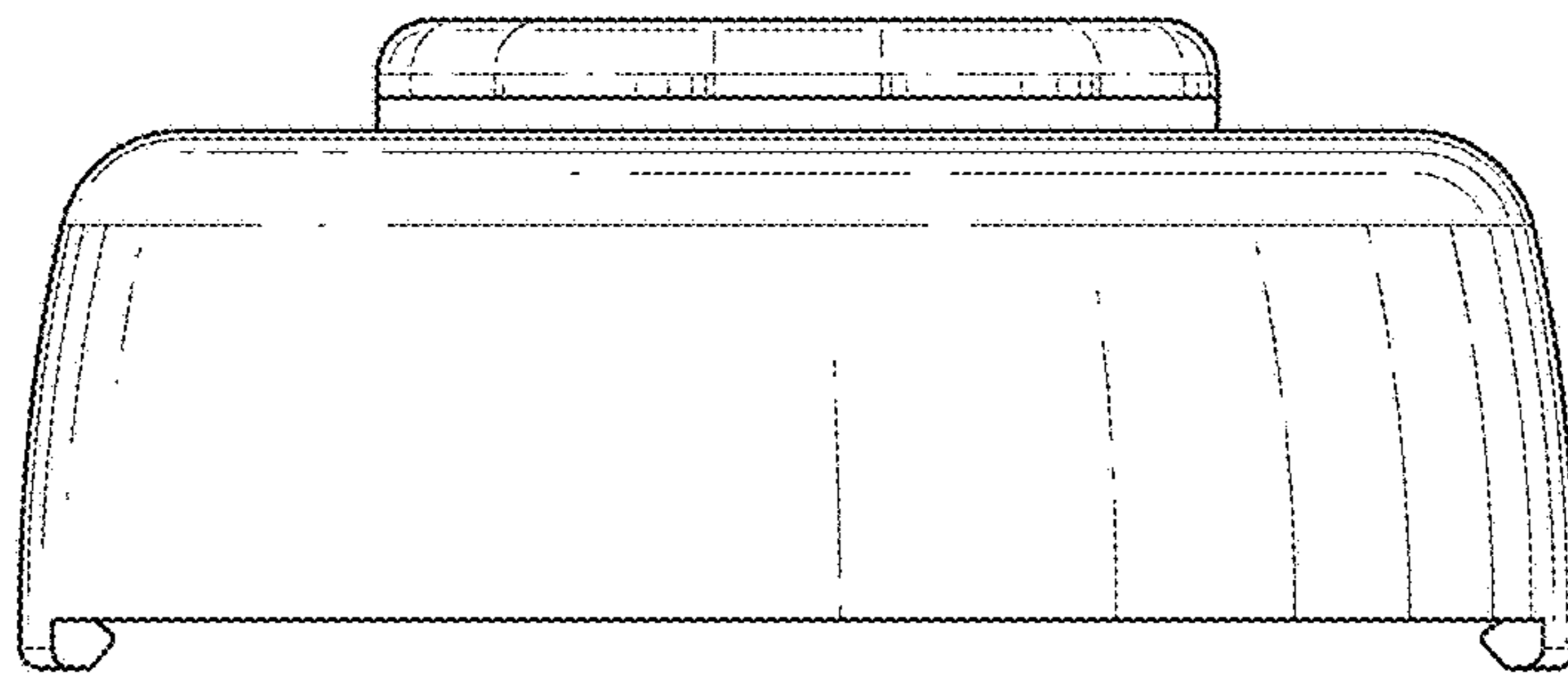


FIG. 3

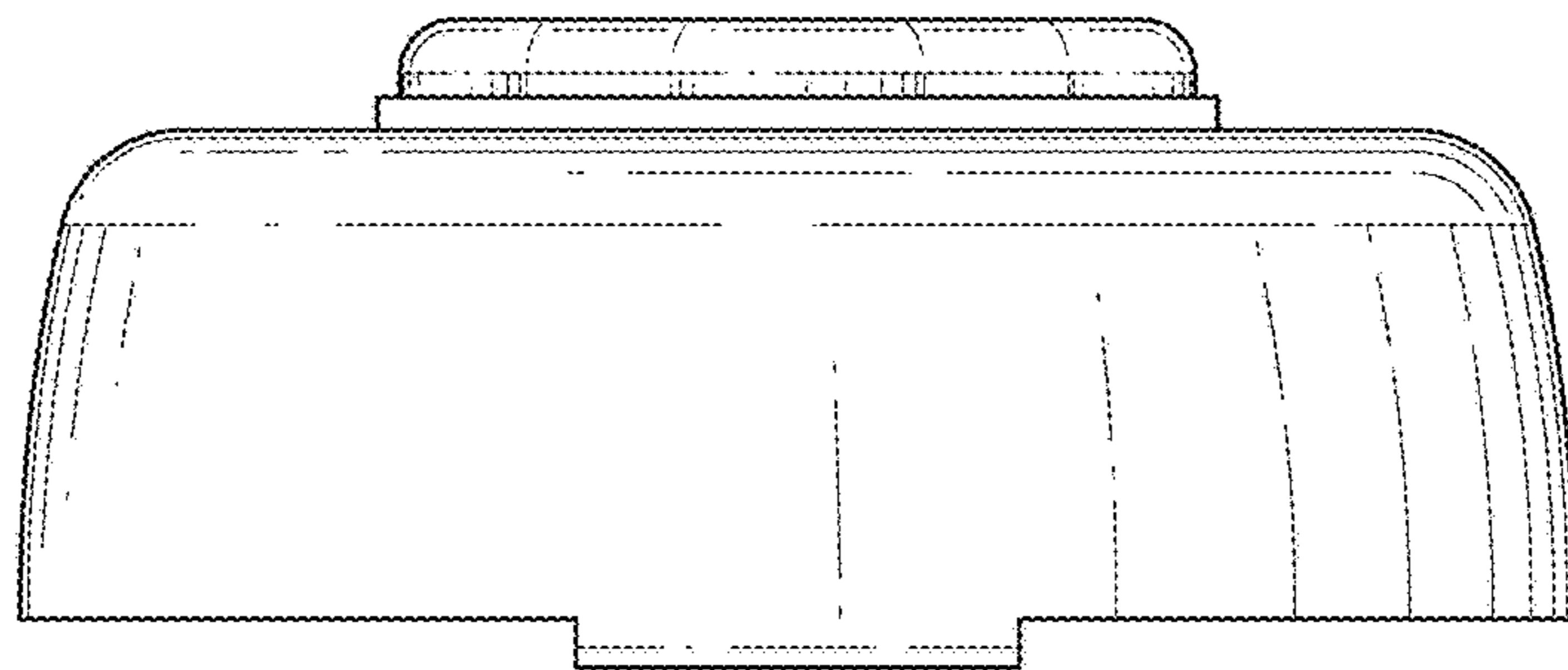


FIG. 4

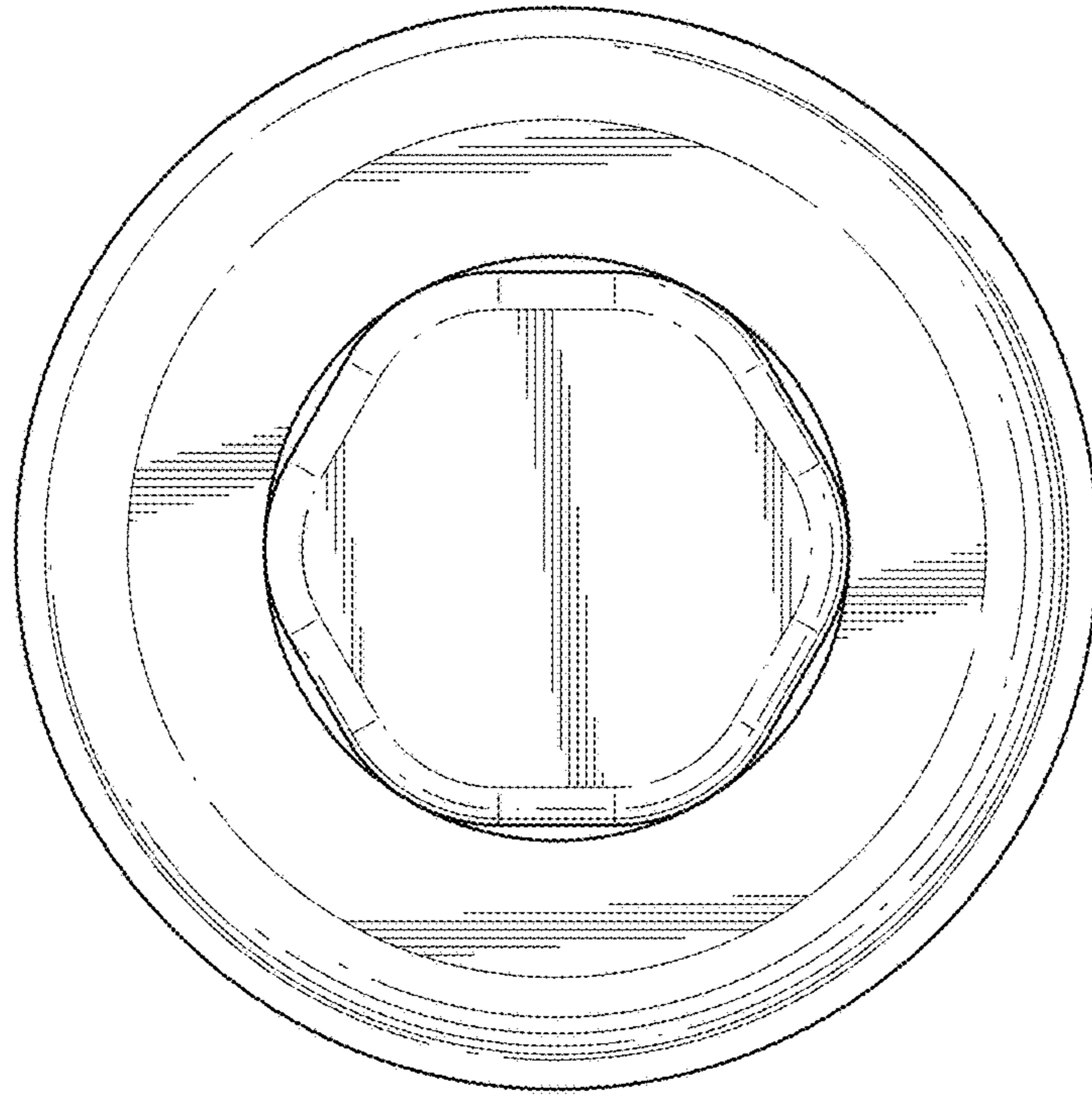


FIG. 5

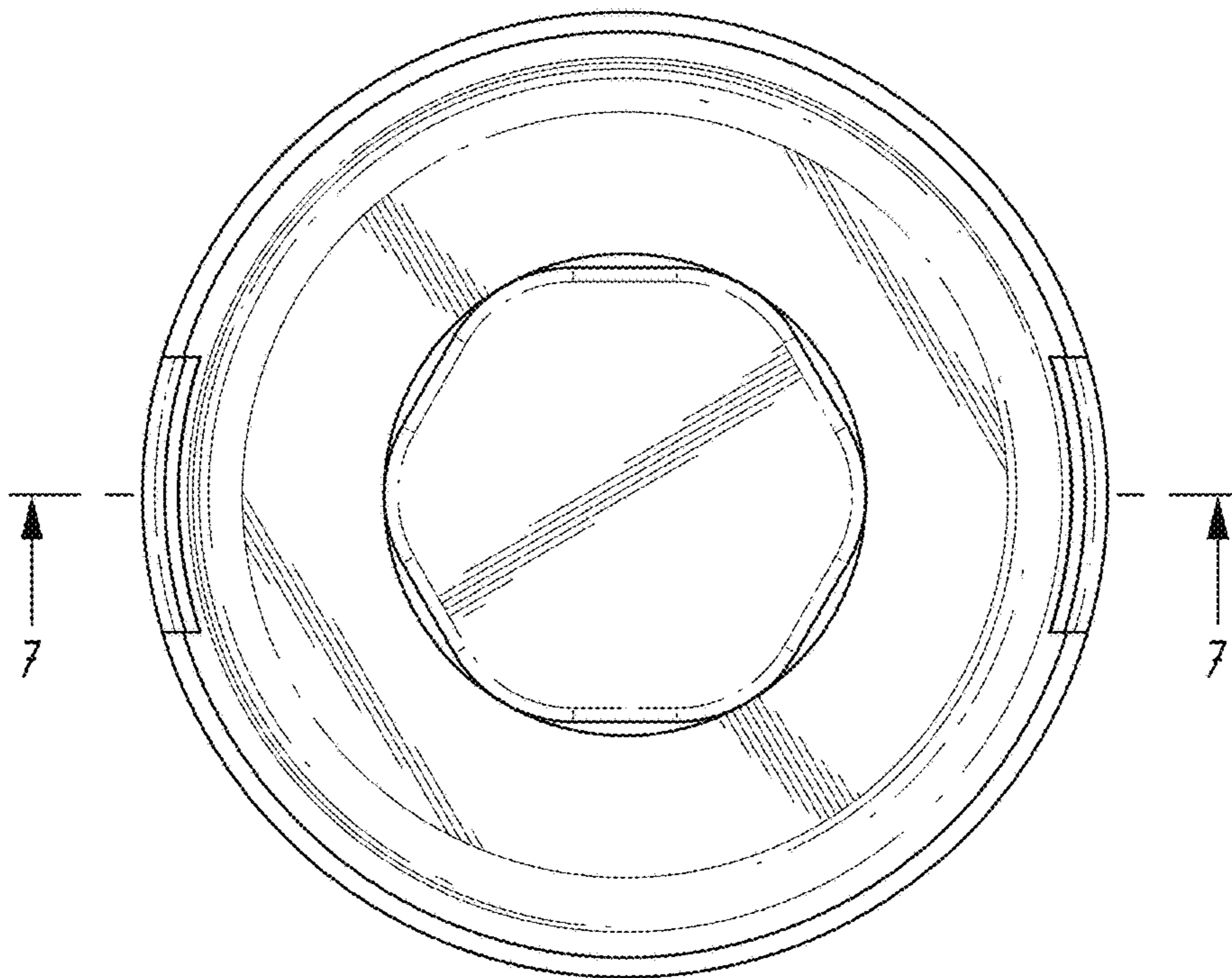


FIG. 6

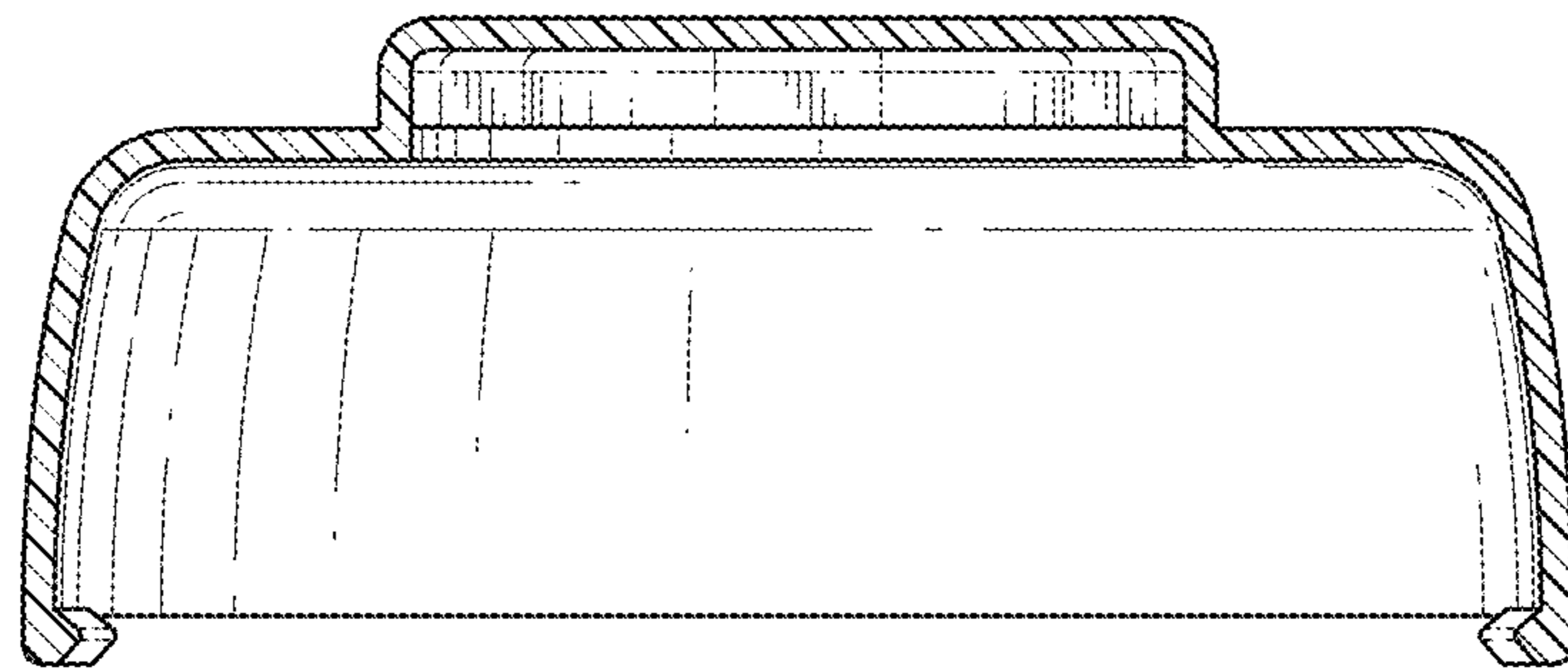


FIG. 7