



US00D800874S

(12) **United States Design Patent**  
**Wang**

(10) **Patent No.:** **US D800,874 S**

(45) **Date of Patent:** **\*\* Oct. 24, 2017**

(54) **SHOWER VALVE TRIM PACKAGE**

(71) Applicant: **Fuyong Wang**, Kaiping (CN)

(72) Inventor: **Fuyong Wang**, Kaiping (CN)

(\*\*) Term: **15 Years**

(21) Appl. No.: **29/575,904**

(22) Filed: **Aug. 30, 2016**

(51) **LOC (10) Cl.** ..... **23-01**

(52) **U.S. Cl.**  
USPC ..... **D23/239**

(58) **Field of Classification Search**  
USPC ..... D23/238-239, 242-243, 250, 255, 254,  
D23/257, 223, 213; D7/107-108  
CPC ..... E03C 2001/0414; E03C 2001/0415; E03C  
2001/0417; E03C 1/04; E03C 1/0401;  
E03C 1/0402; E03C 1/0404; E03C  
1/0405; E03C 1/0412; Y10T 137/9464  
See application file for complete search history.

(56) **References Cited**

**U.S. PATENT DOCUMENTS**

D493,210 S \* 7/2004 Citterio ..... D23/238  
D495,028 S \* 8/2004 Jorgensen ..... D23/223

D579,519 S \* 10/2008 Sieger ..... D23/238  
D596,717 S \* 7/2009 Jones ..... D23/255  
D626,632 S \* 11/2010 Hanna ..... D23/254  
D660,940 S \* 5/2012 Flowers ..... D23/213  
D664,240 S \* 7/2012 Tang ..... D23/238  
D784,494 S \* 4/2017 Wang ..... D23/239

\* cited by examiner

*Primary Examiner* — Robert A Delehanty

(74) *Attorney, Agent, or Firm* — Alexander Chen, Esq.

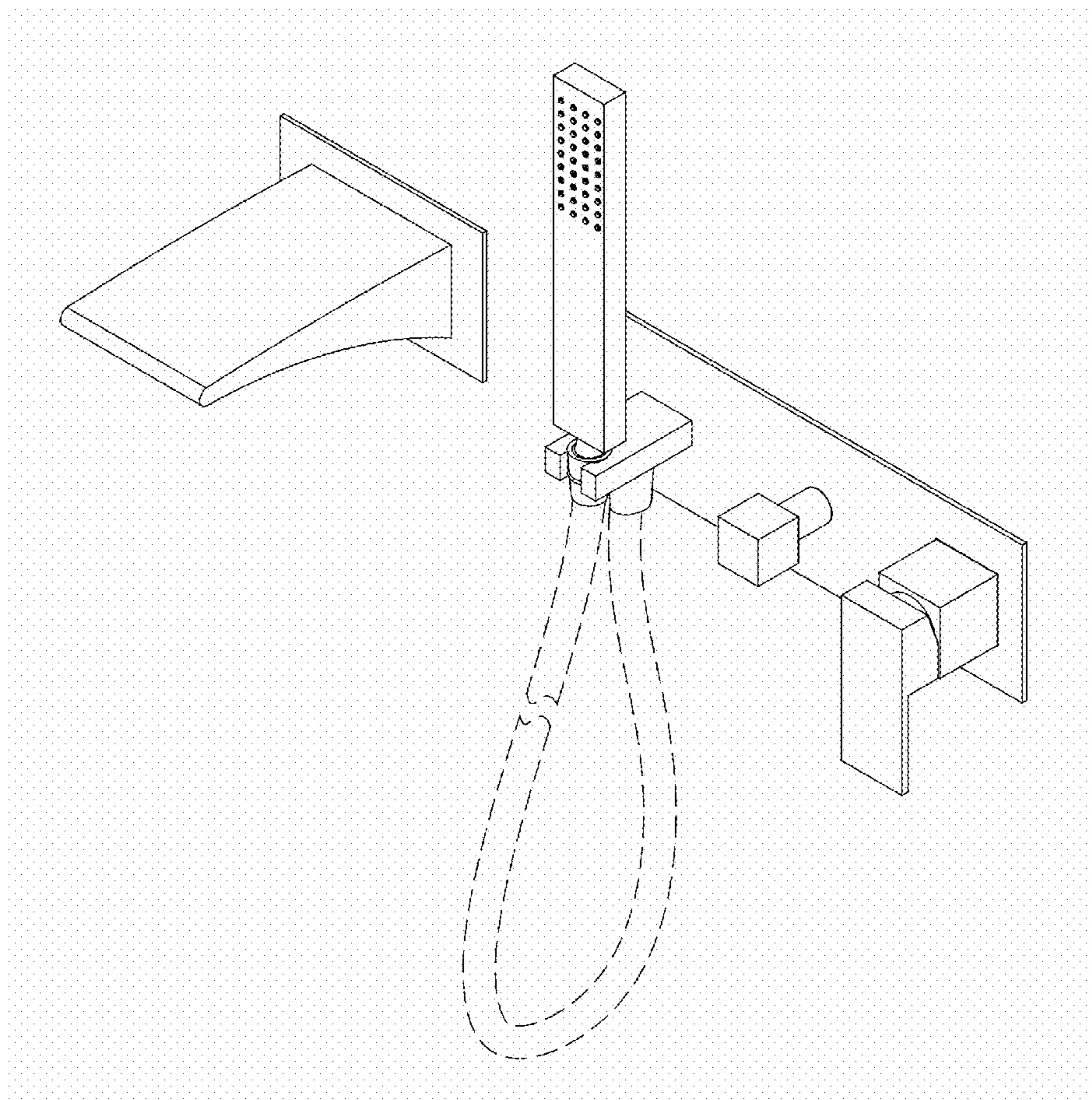
(57) **CLAIM**

An ornamental design for a shower valve trim package design, as shown and described.

**DESCRIPTION**

FIG. 1 is a front view of a shower valve trim package  
FIG. 2 is a top view thereof  
FIG. 3 is a left view thereof  
FIG. 4 is a right view thereof  
FIG. 5 is a perspective view thereof  
FIG. 6 is another perspective view thereof; and,  
FIG. 7 is yet another perspective view thereof.  
The broken lines shown in the drawings showing a hose represent unclaimed portions of the shower valve trim package and form no part of the claimed design thereof.

**1 Claim, 7 Drawing Sheets**



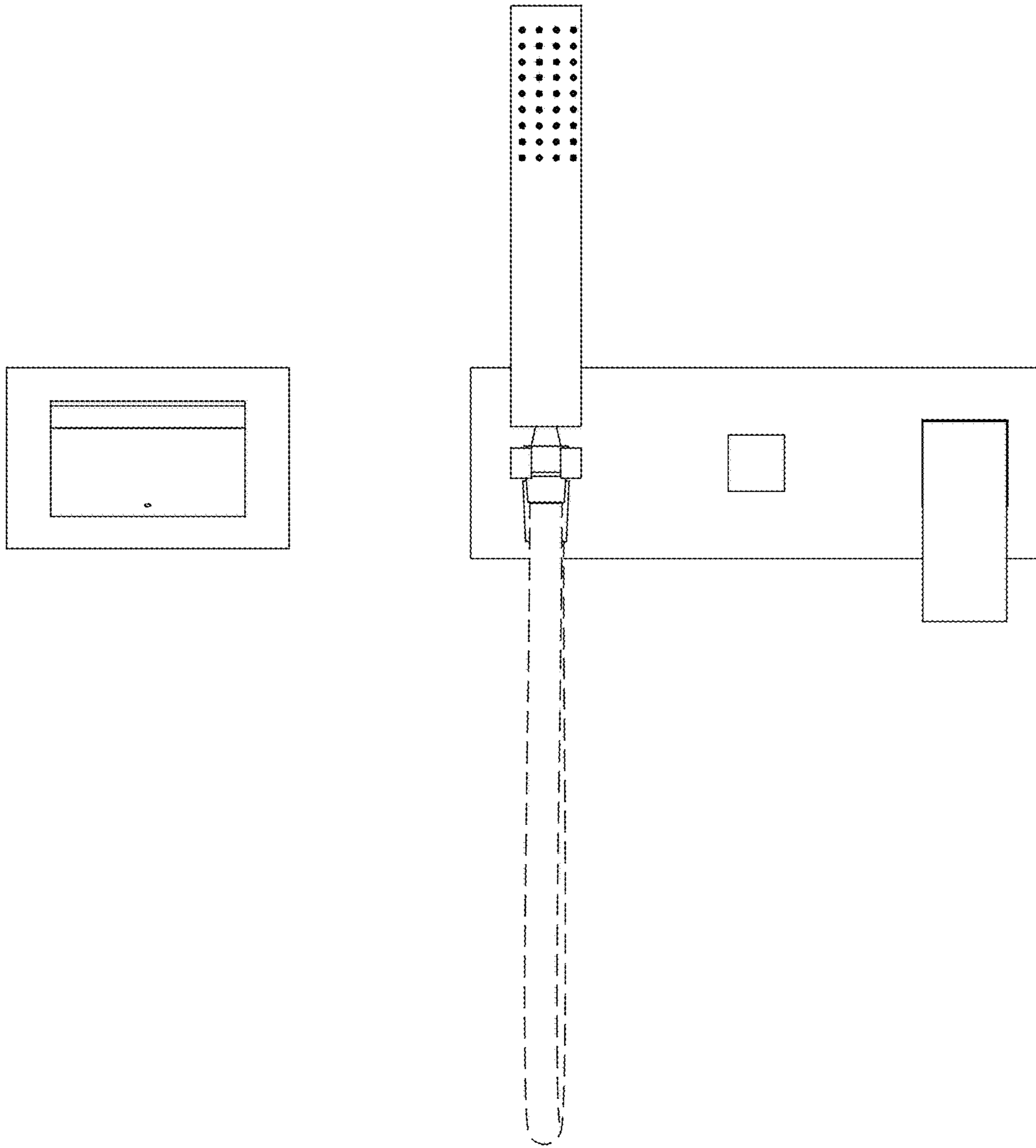


Fig. 1

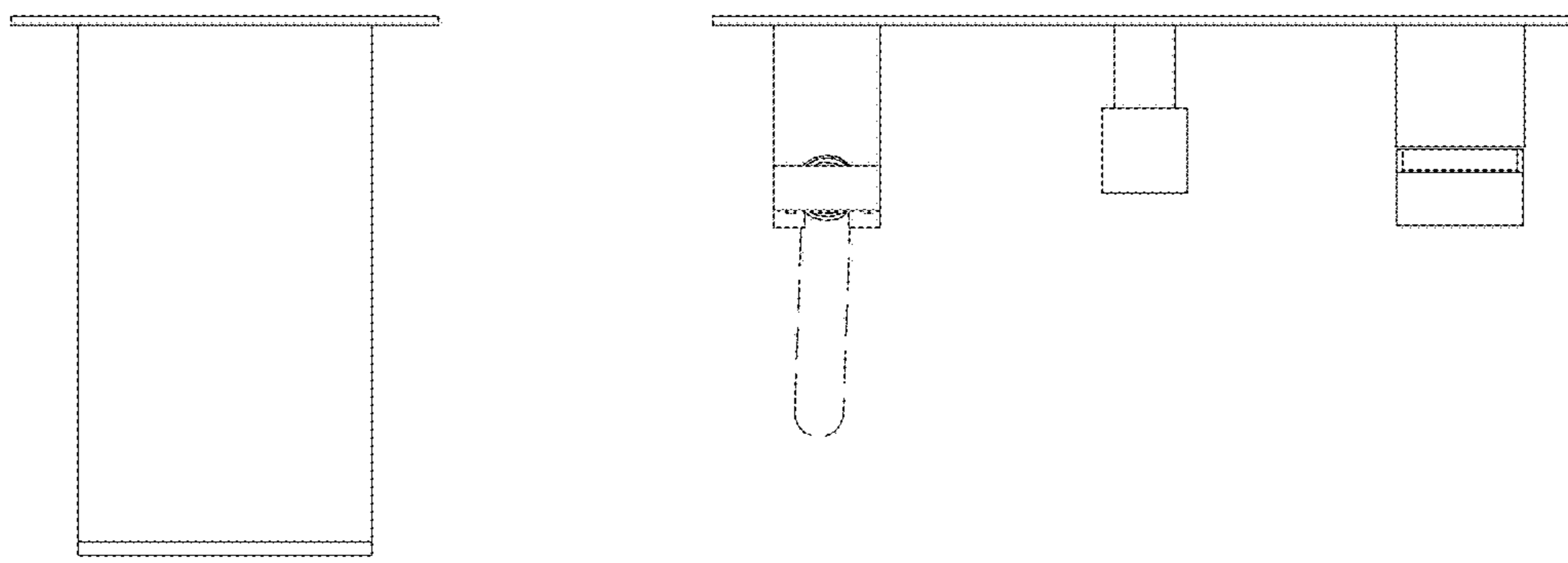


Fig. 2

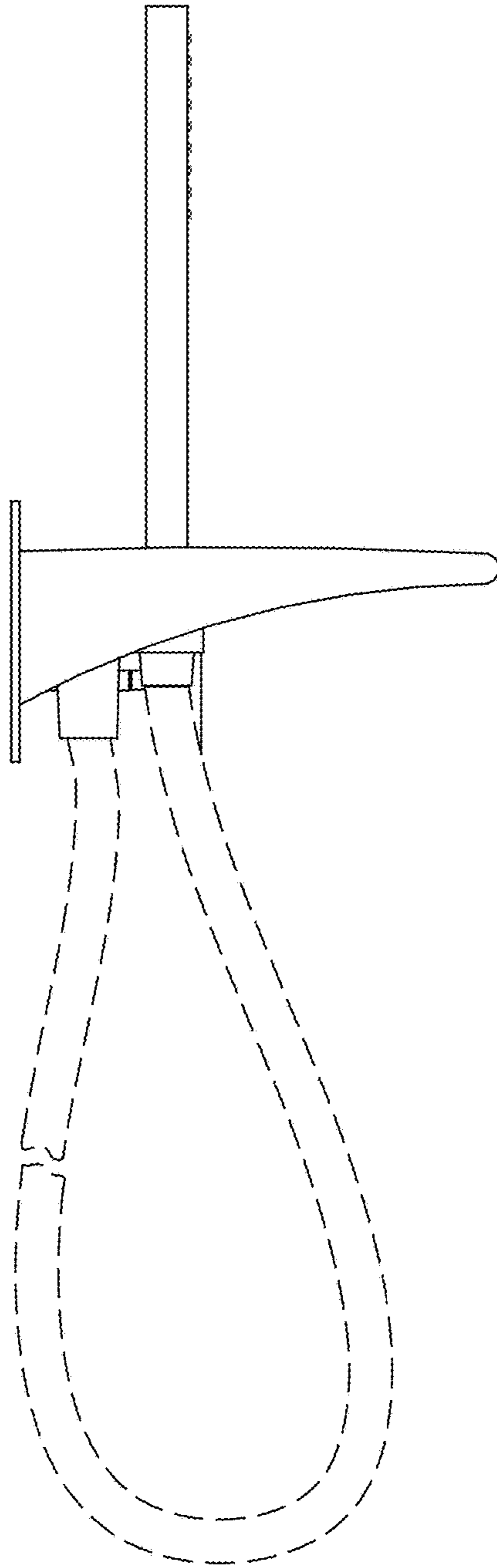


Fig. 3

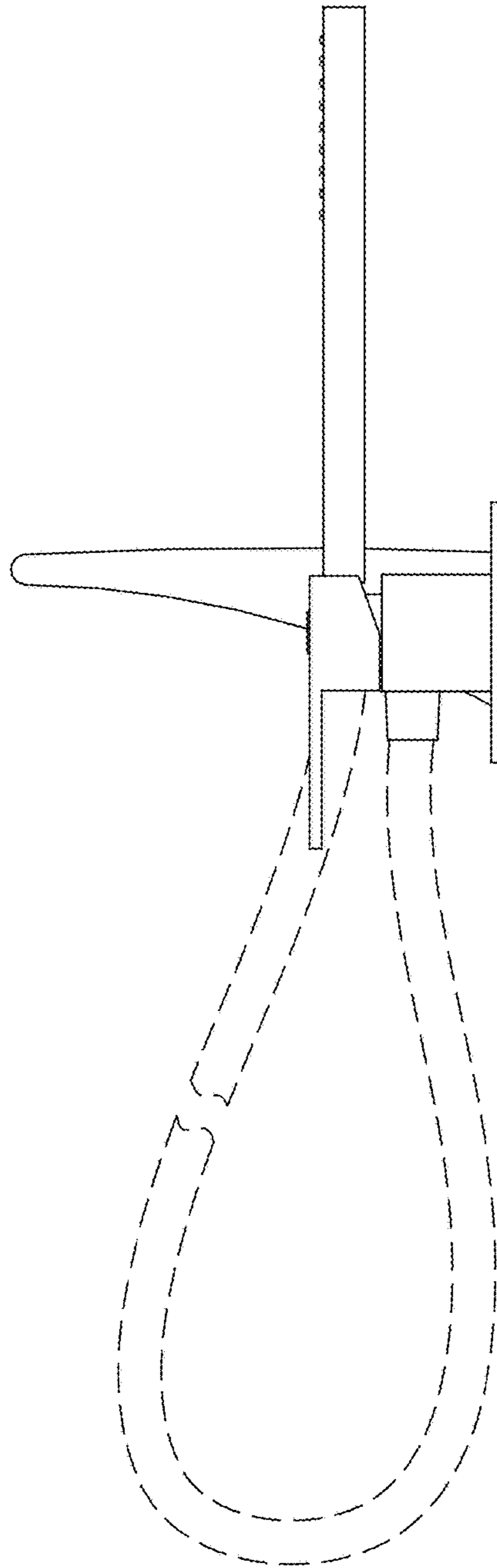


Fig. 4

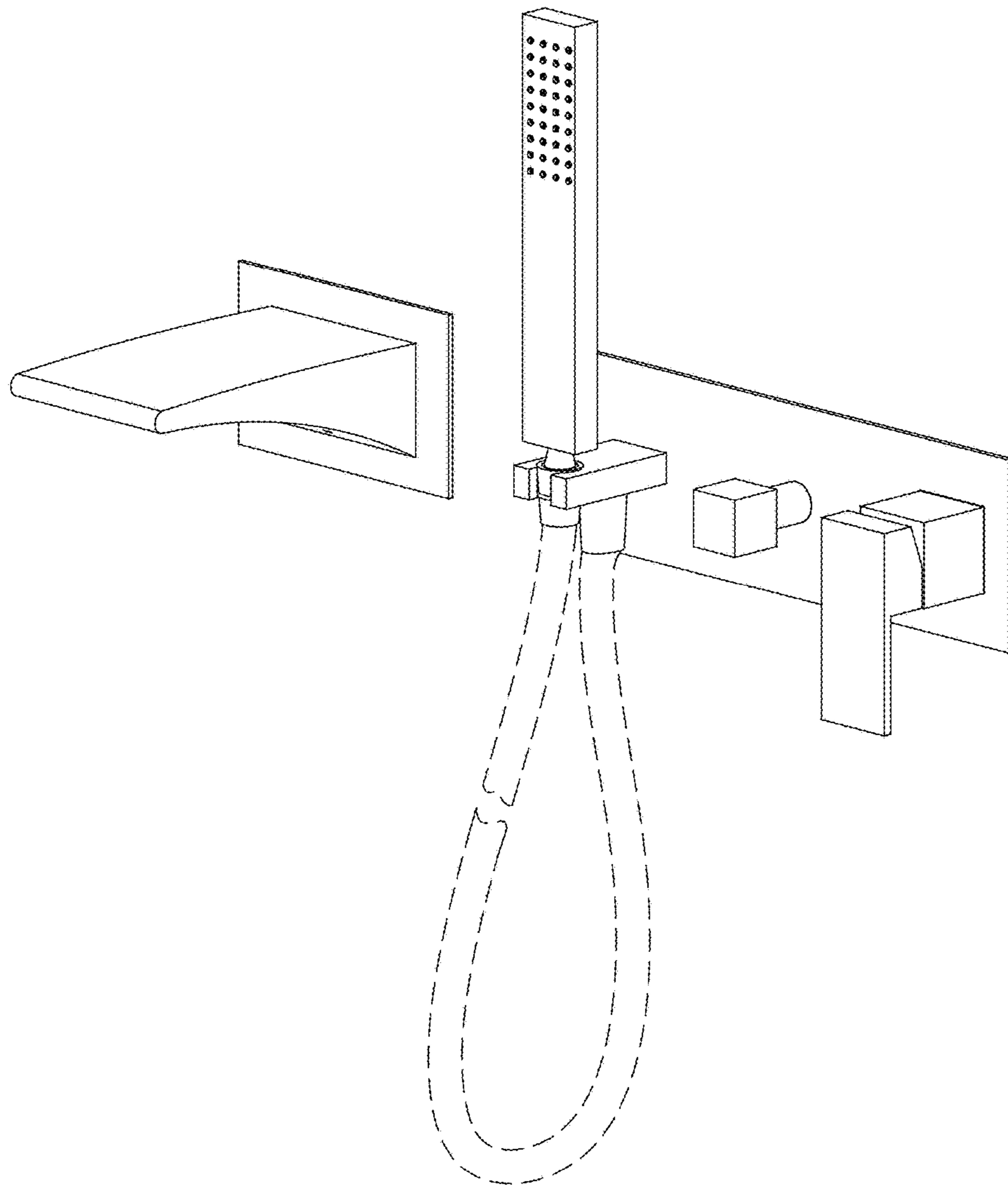


Fig. 5

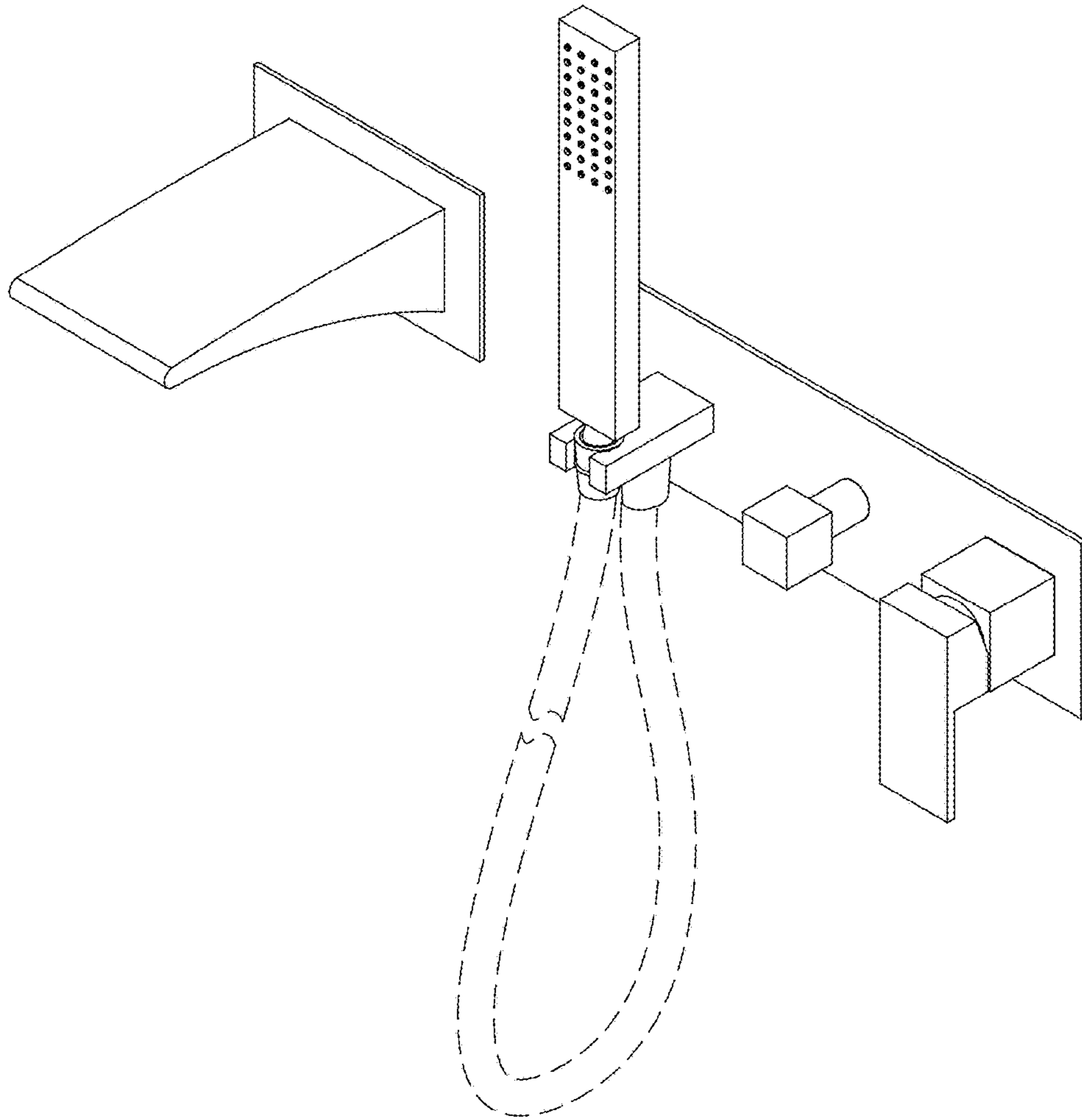


Fig. 6

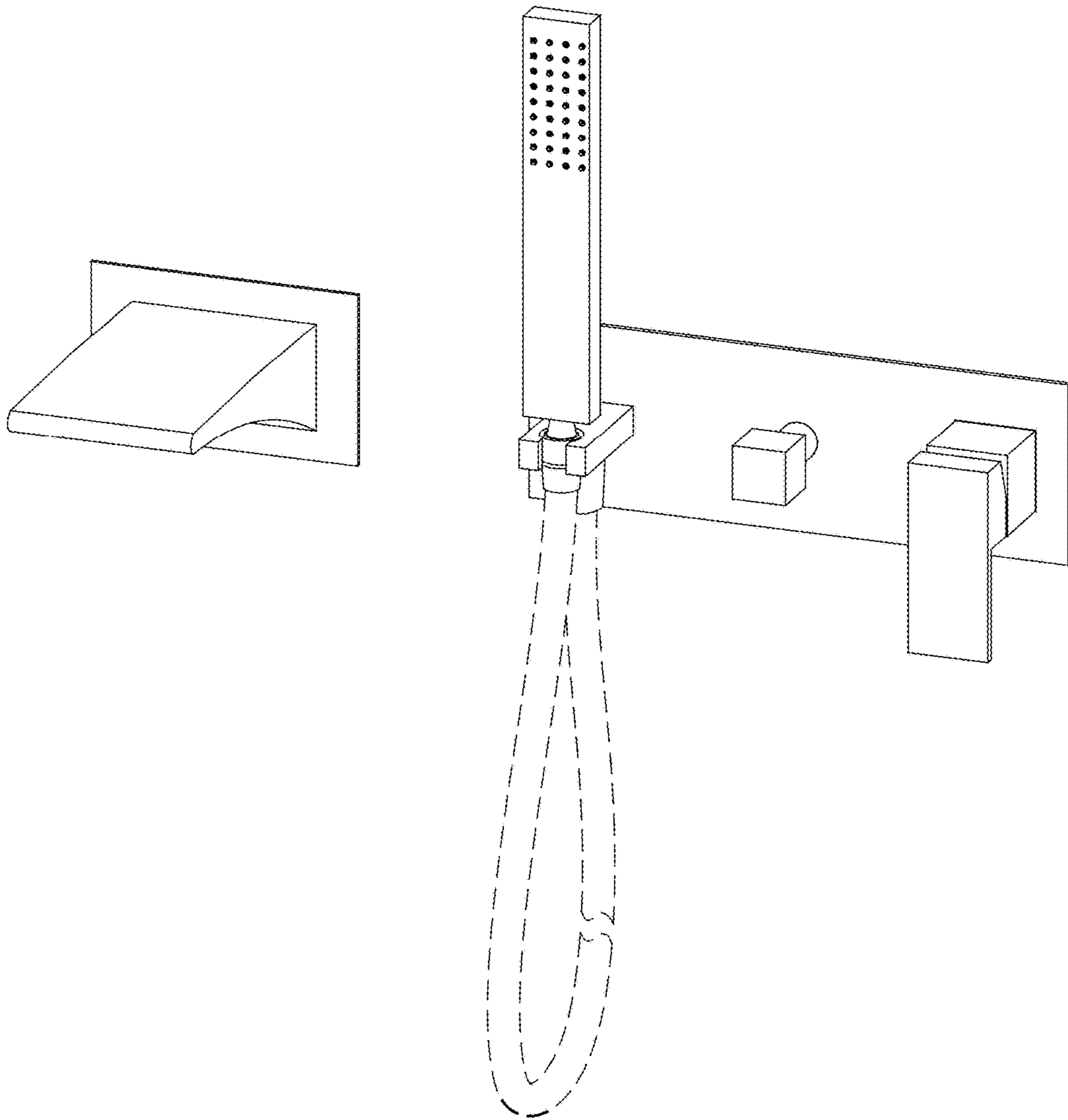


Fig. 7