



US00D800872S

(12) **United States Design Patent**  
**Wholey et al.**

(10) **Patent No.:** **US D800,872 S**

(45) **Date of Patent:** **\*\* Oct. 24, 2017**

- (54) **IN-LINE ANTI-SIPHON DEVICE**
- (71) Applicant: **TISS Limited**, Blackpool (GB)
- (72) Inventors: **Ryan Wholey**, Blackpool (GB);  
**Matthew Rose**, Blackpool (GB);  
**Richard Forster**, Blackpool (GB)
- (73) Assignee: **TISS LIMITED**, Blackpool, Lancashire (GB)

8,122,904 B2 *	2/2012	Wholey .....	B60K 15/0403 137/429
8,550,279 B2 *	10/2013	Avakian .....	B60K 15/0403 137/13
2009/0134159 A1 *	5/2009	Wholey .....	B60K 15/0403 220/86.3
2010/0264138 A1 *	10/2010	Bramson .....	B60K 15/0403 220/86.3
2012/0298213 A1 *	11/2012	Forster .....	B60K 15/0403 137/215
2015/0202957 A1 *	7/2015	Kneisley .....	B60K 15/0403 220/86.3

(\*\*) Term: **15 Years**

\* cited by examiner

(21) Appl. No.: **29/570,387**

*Primary Examiner* — Cynthia Ramirez

(22) Filed: **Jul. 7, 2016**

*Assistant Examiner* — Gino Colan

(51) **LOC (10) Cl.** ..... **23-01**

(74) *Attorney, Agent, or Firm* — Jeffer Mangels Butler & Mitchell LLP; Brennan C. Swain, Esq.

(52) **U.S. Cl.**

USPC ..... **D23/235**

(58) **Field of Classification Search**

USPC ..... D23/233-249; 220/86.3, 86.1; 137/215,  
137/218; 604/151, 247

CPC ..... B60K 15/0403; B60K 2015/03434; B60K  
15/0406; B60K 2015/0451; F16K 24/02

See application file for complete search history.

(57) **CLAIM**

The ornamental design for an in-line anti-siphon device, as shown and described.

**DESCRIPTION**

FIG. 1 is a front elevational view of an in-line anti-siphon device showing our new design, the top, bottom and rear elevational views being mirror images thereof;

FIG. 2 is a cross-section view taken along line 2-2 of FIG. 1;

FIG. 3 is a right side elevational view of FIG. 1;

FIG. 4 is a left side elevational view of FIG. 1; and,

FIG. 5 is a right side perspective view of FIG. 1.

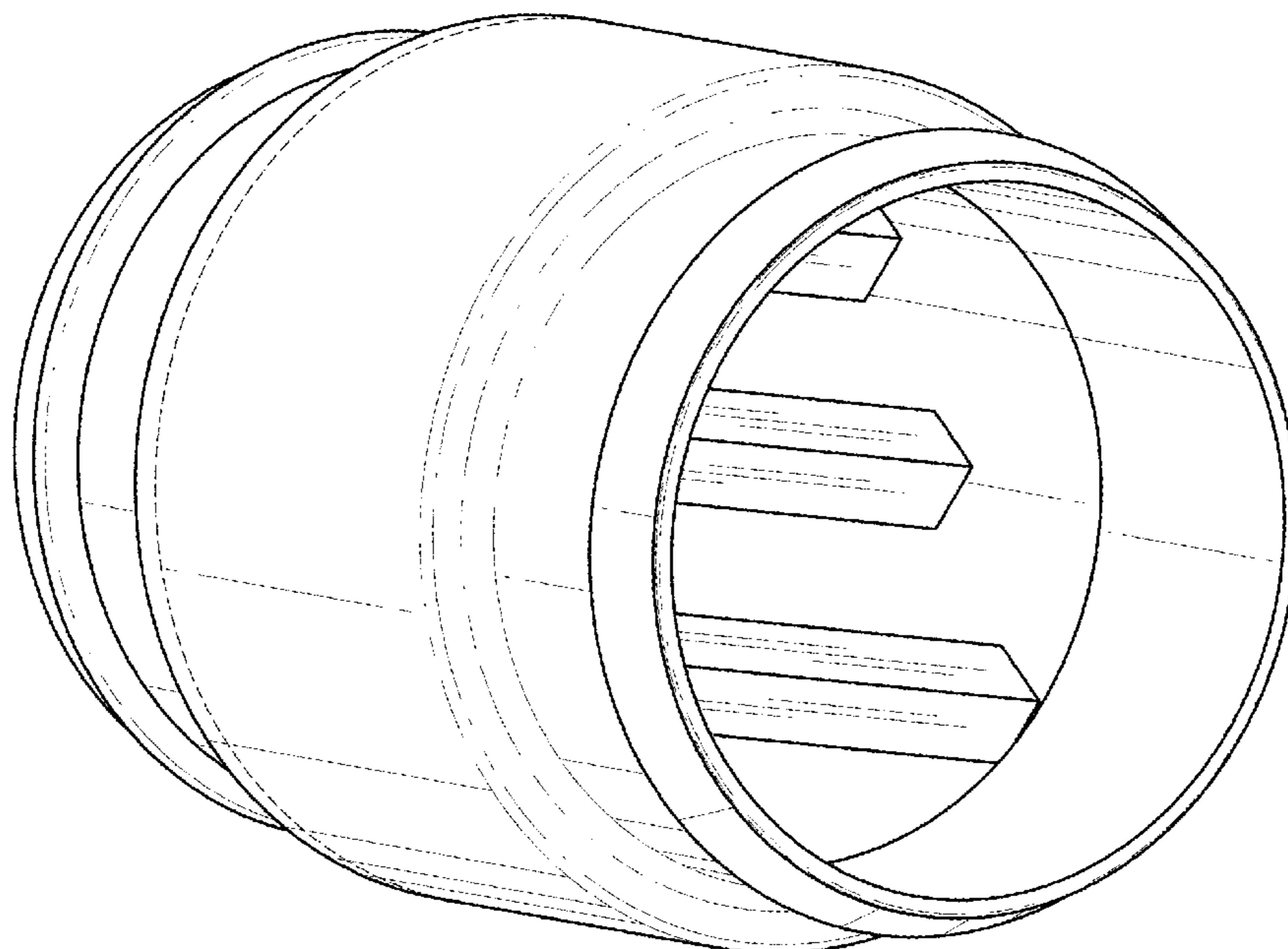
The broken lines shown in the figures are included for the purpose of illustrating portions of the in-line anti siphon device and form no part of the claimed design.

(56) **References Cited**

U.S. PATENT DOCUMENTS

3,951,164 A *	4/1976	Crist .....	F16K 15/141 137/218
3,951,297 A *	4/1976	Martin .....	B60K 15/0403 220/86.3
4,630,748 A *	12/1986	Keller .....	B60K 15/0403 220/86.3
D321,748 S *	11/1991	Brito .....	D23/235
D396,524 S *	7/1998	Patrick .....	D23/233
7,543,599 B2 *	6/2009	Cover .....	F16K 15/14 137/216.2

**1 Claim, 5 Drawing Sheets**



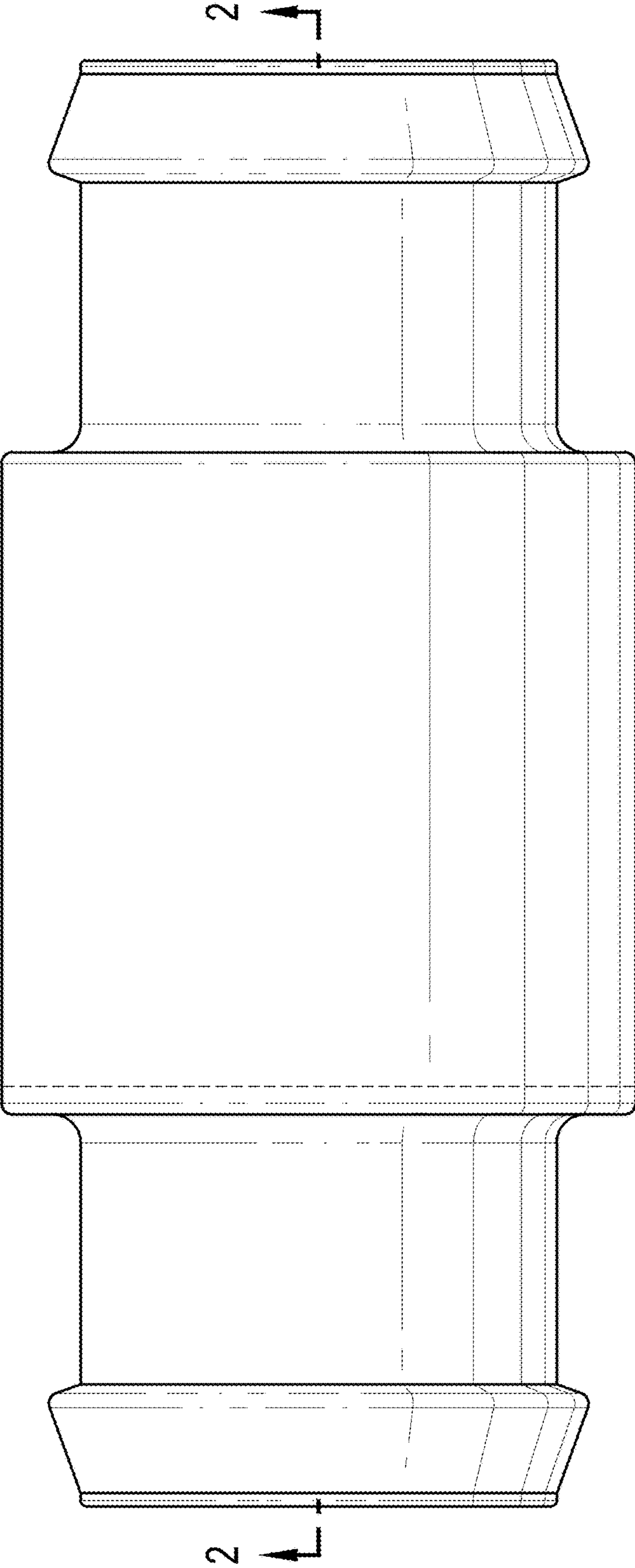


FIG. 1

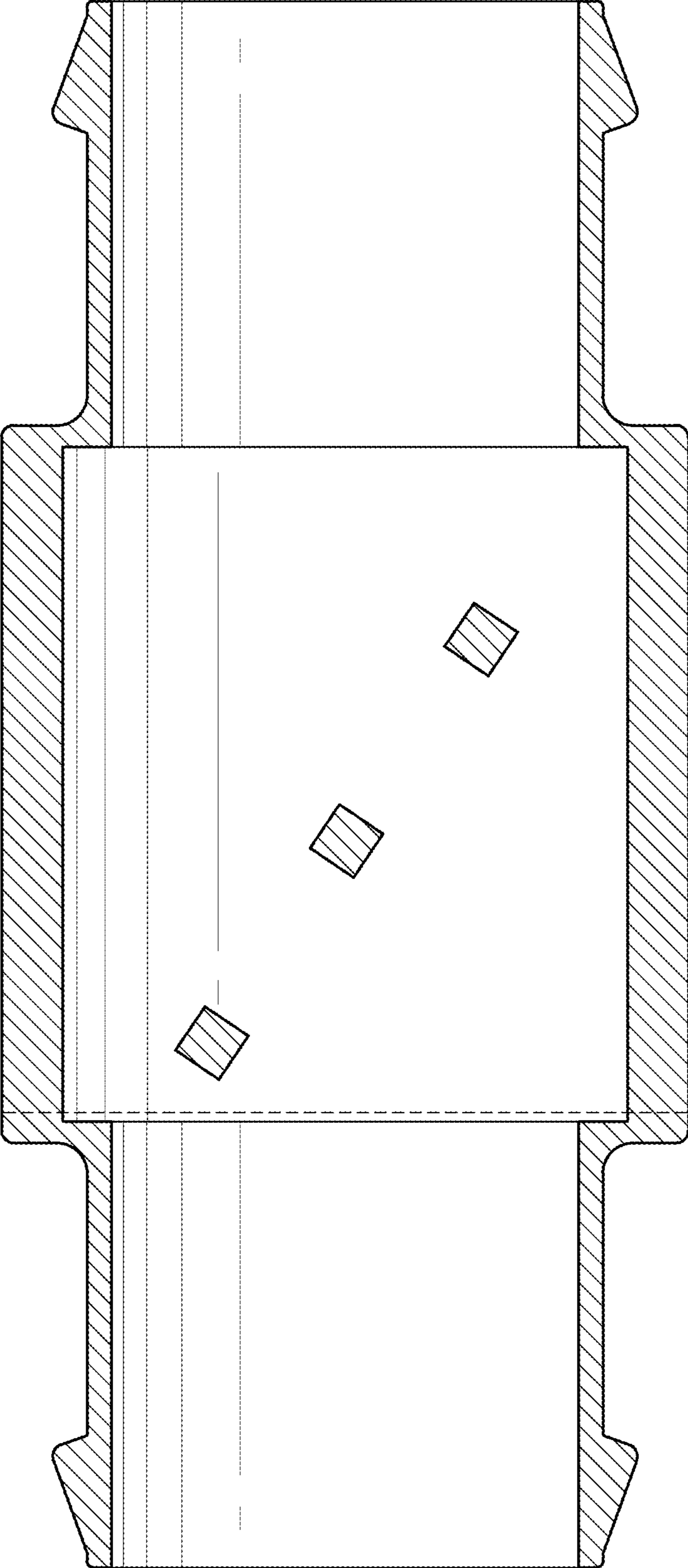


FIG. 2

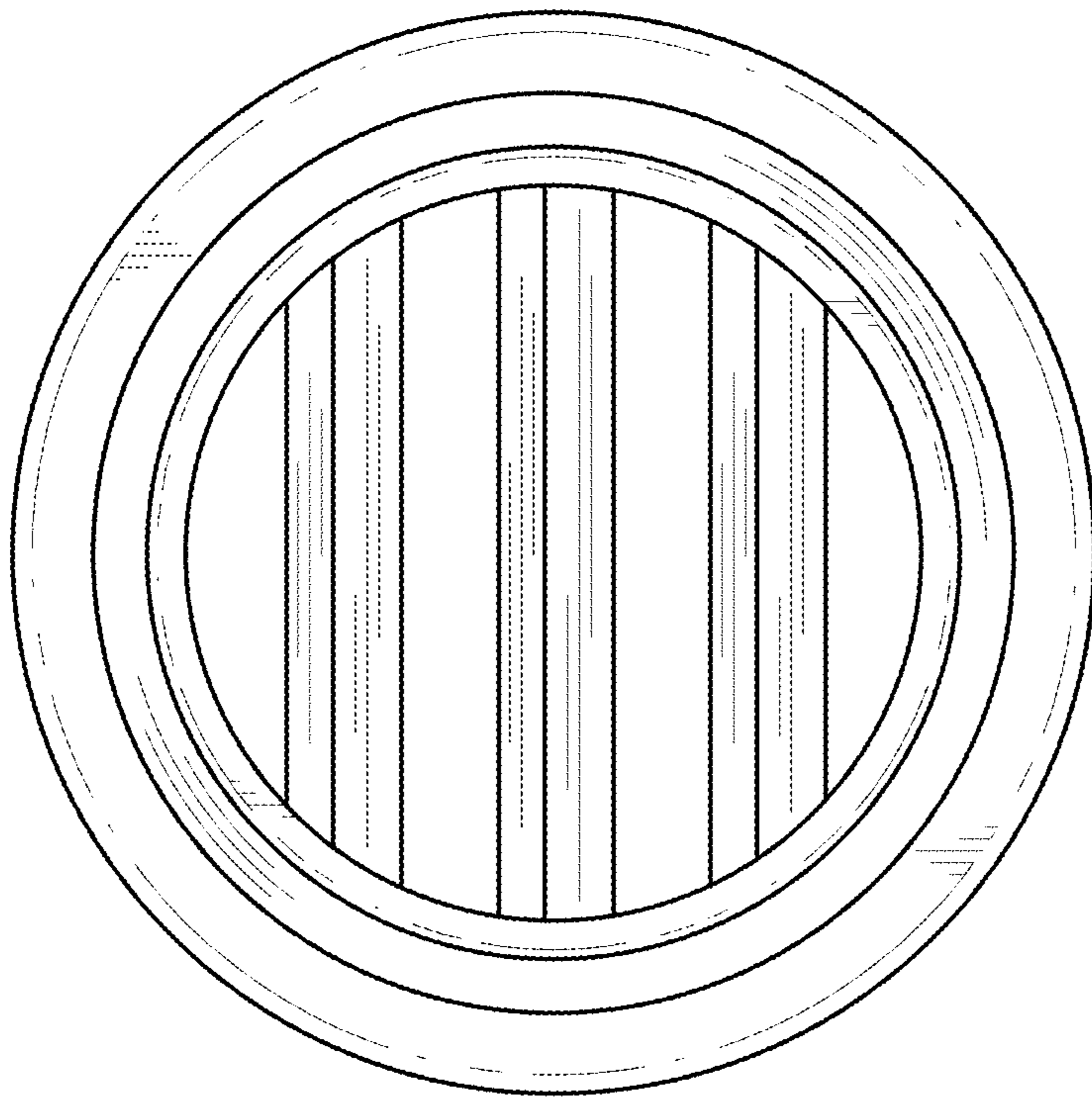


FIG. 3

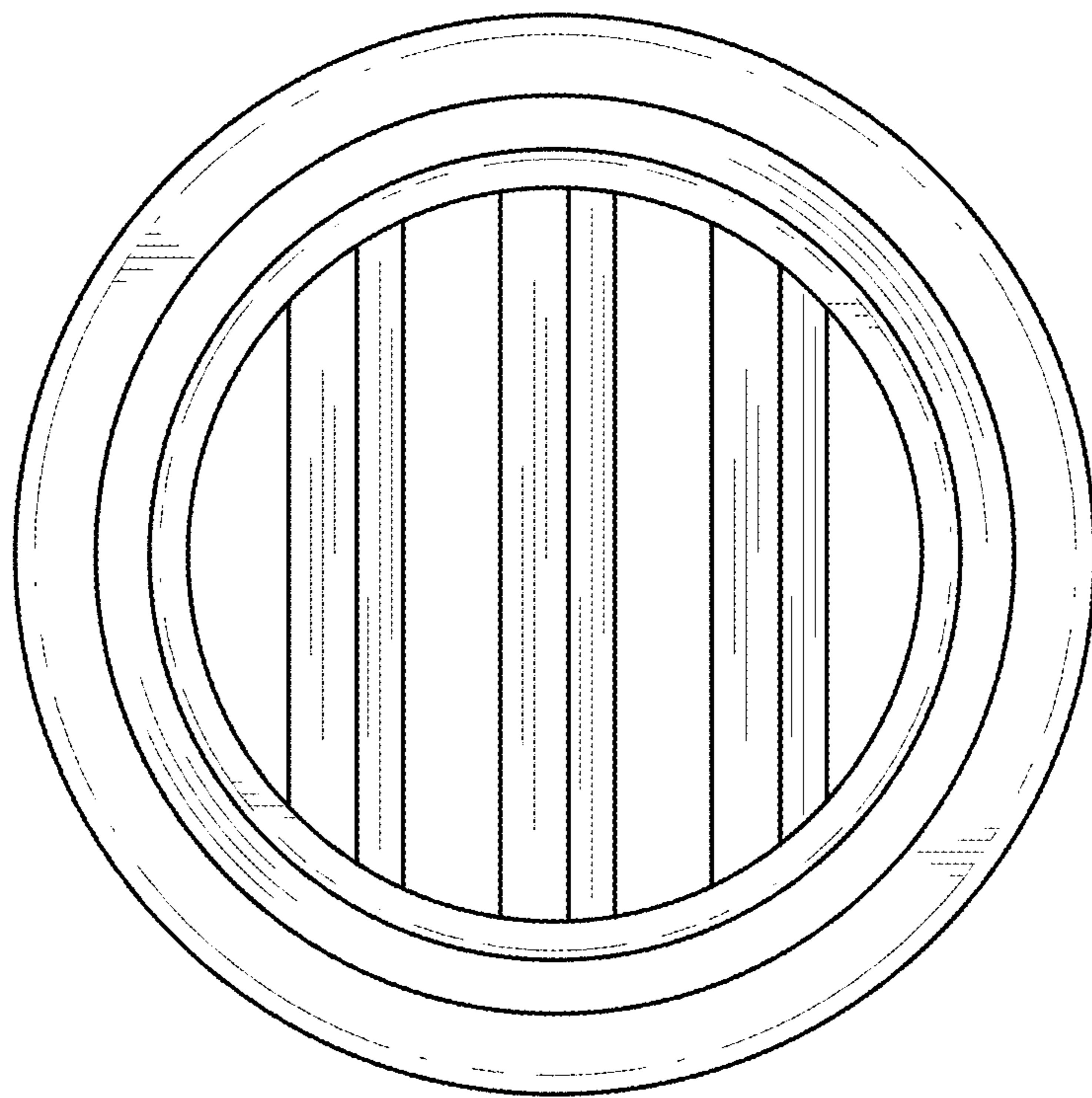


FIG. 4

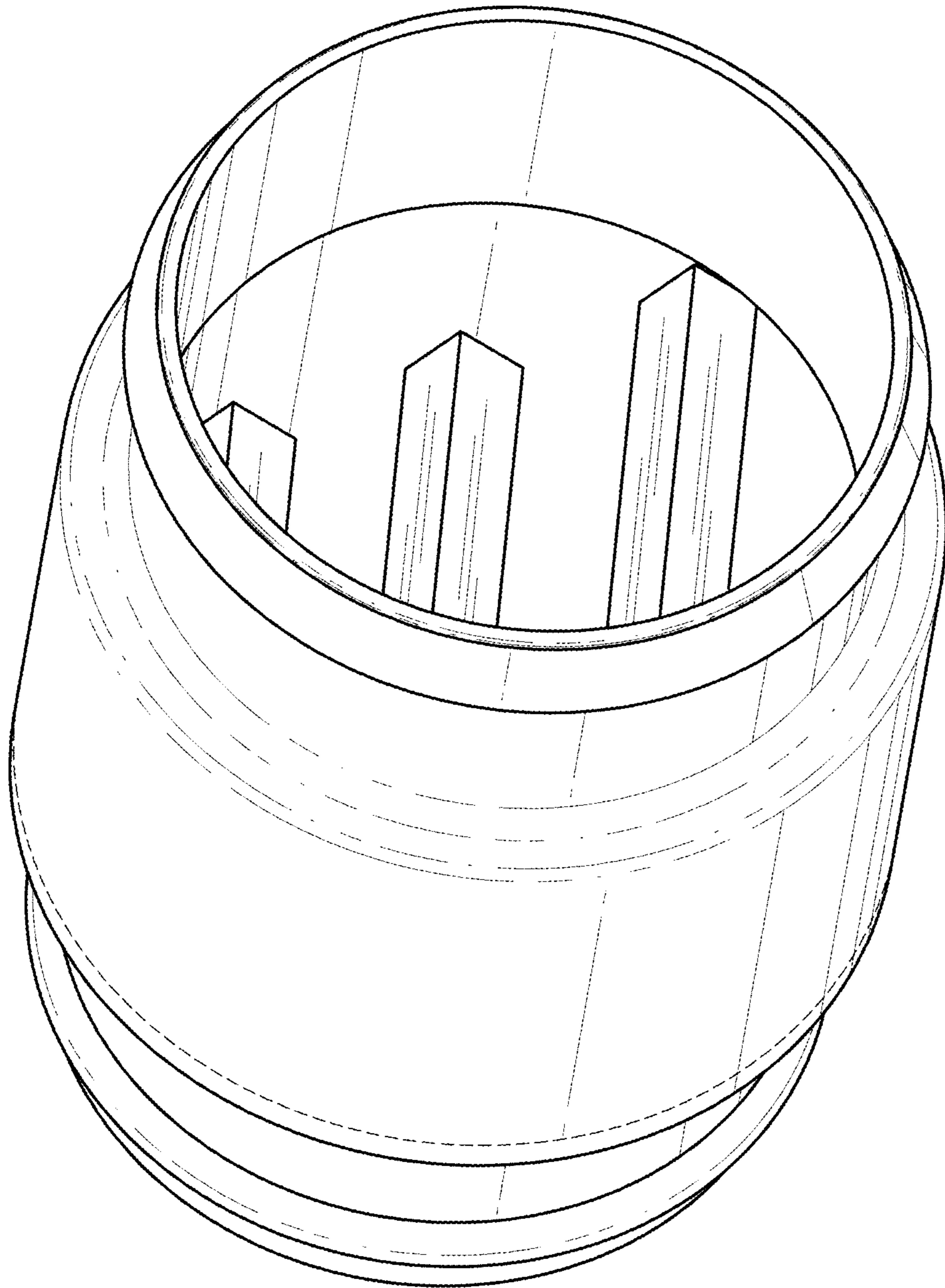


FIG. 5