



US00D800871S

(12) **United States Design Patent**
Arai

(10) **Patent No.:** **US D800,871 S**

(45) **Date of Patent:** **** Oct. 24, 2017**

(54) **VALVE**

(71) Applicant: **FUJIKOKI CORPORATION**, Tokyo
(JP)

(72) Inventor: **Yusuke Arai**, Tokyo (JP)

(**) Term: **15 Years**

(21) Appl. No.: **35/500,726**

(22) Filed: **Feb. 2, 2016**

(80) **Hague Agreement Data**

Int. Filing Date: **Feb. 2, 2016**

Int. Reg. No.: **DM/089664**

Int. Reg. Date: **Feb. 2, 2016**

Int. Reg. Pub. Date: **Mar. 18, 2016**

(51) **LOC (10) Cl.** **23-01**

(52) **U.S. Cl.**
USPC **D23/233**

(58) **Field of Classification Search**

USPC D23/233, 321, 421; D10/49

CPC F16K 31/0675; F16K 27/029; F16K 31/02;

F16K 31/082; F16K 27/048; F16K 11/24;

F24F 11/06; F25B 2600/2513

See application file for complete search history.

(56) **References Cited**

U.S. PATENT DOCUMENTS

D416,309 S * 11/1999 Hayashi D23/233

D689,594 S * 9/2013 Kumakura D23/233

D693,903 S *	11/2013	Tamura	D23/233
D725,231 S *	3/2015	Doi	D23/233
D731,620 S *	6/2015	Galle	D23/233
D736,889 S *	8/2015	Nishiyama	D23/233
D740,918 S *	10/2015	Morodomi	D23/233
9,194,510 B2 *	11/2015	Arai	F16K 31/406
D753,796 S *	4/2016	Suematsu	D23/233
D753,797 S *	4/2016	Suematsu	D23/233
9,404,601 B2 *	8/2016	Yoshida	F16K 31/0655
9,546,737 B1 *	1/2017	Wang	F16K 15/18

* cited by examiner

Primary Examiner — Michael A. Pratt

(57) **CLAIM**

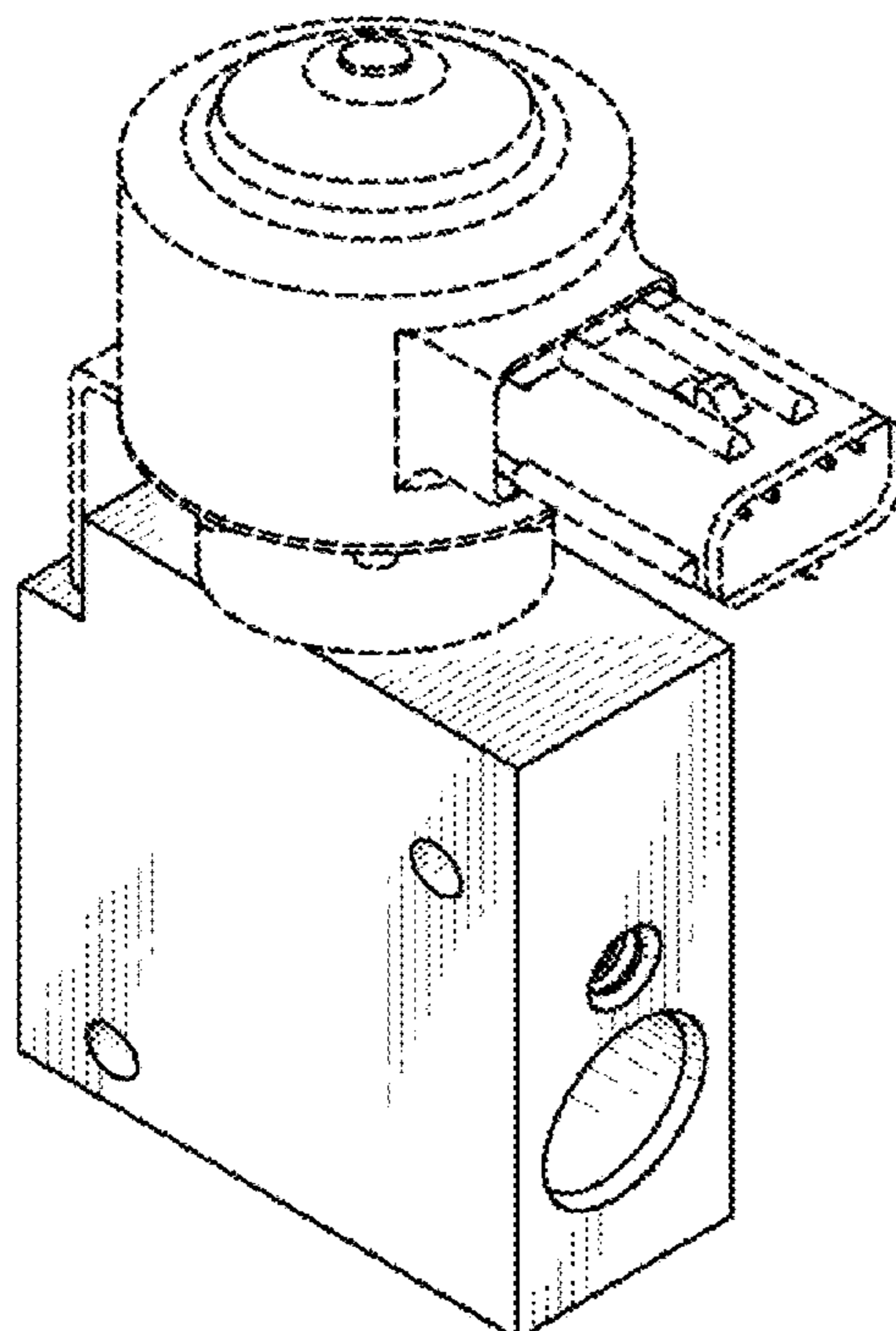
The ornamental design for a valve, as shown and described.

DESCRIPTION

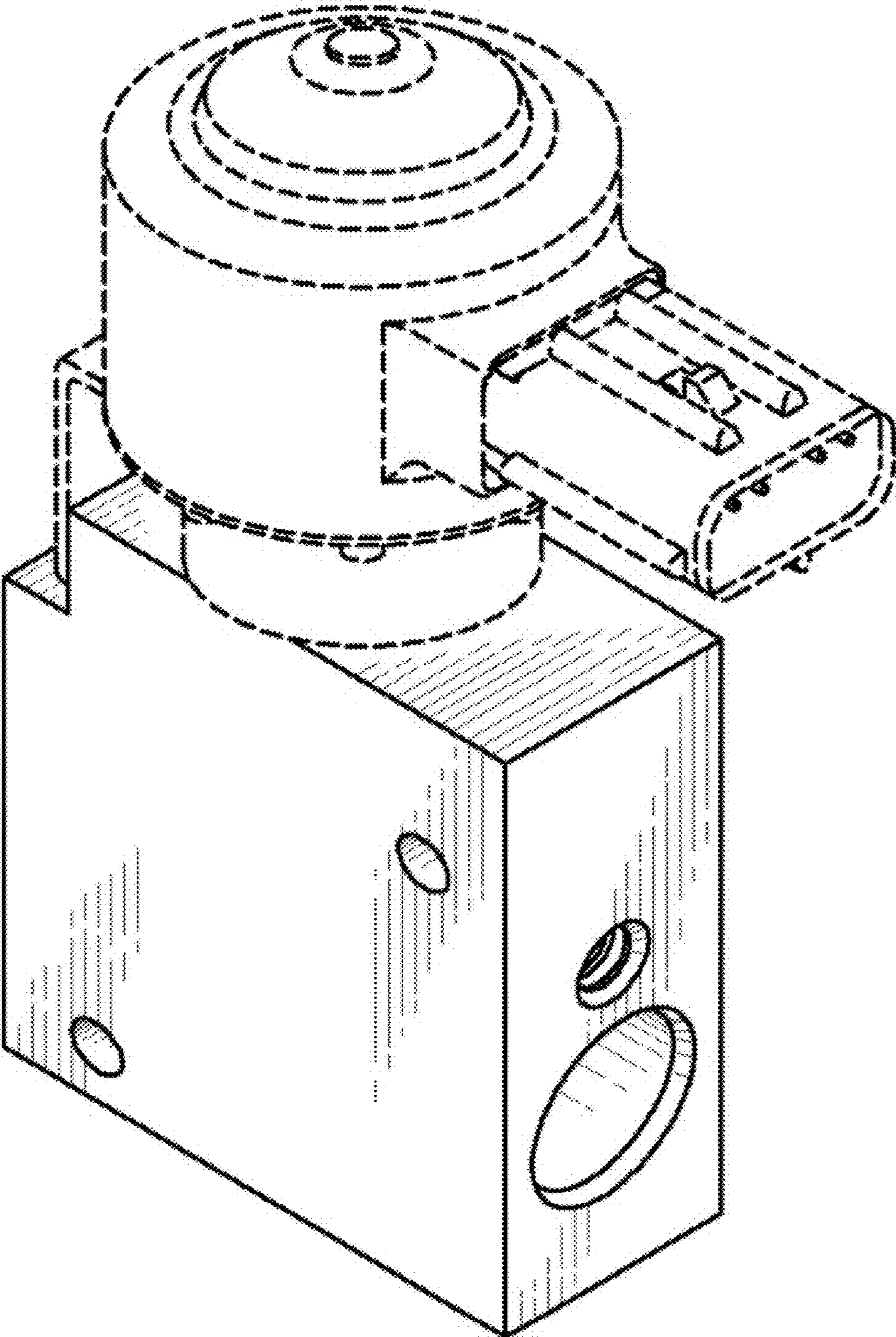
- 1. Valve
- 1.1: Perspective
- 1.2: Front
- 1.3: Back
- 1.4: Top
- 1.5: Bottom
- 1.6: Right
- 1.7: Left

Design 1: a valve; the thin lines in the drawings illustrate the shape of the surface; the broken lines in the drawings illustrate environmental structures that form no part of the claimed design, more specifically the complete upper sole-noid in Figure 1.1 through 1.7 does not form a part of the claimed design, including all aspects of the electrical connector shown in Figure 1.6.

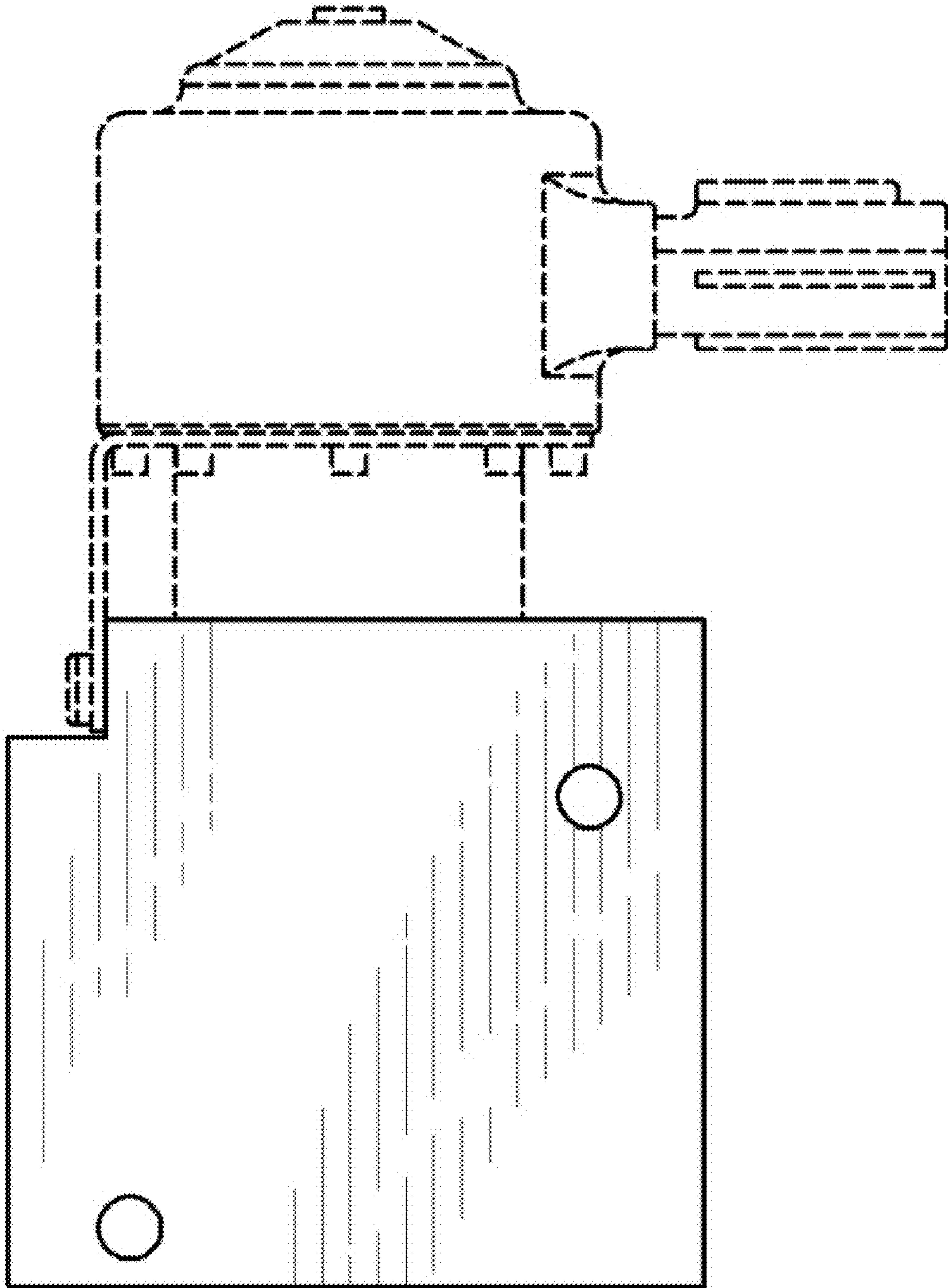
1 Claim, 7 Drawing Sheets



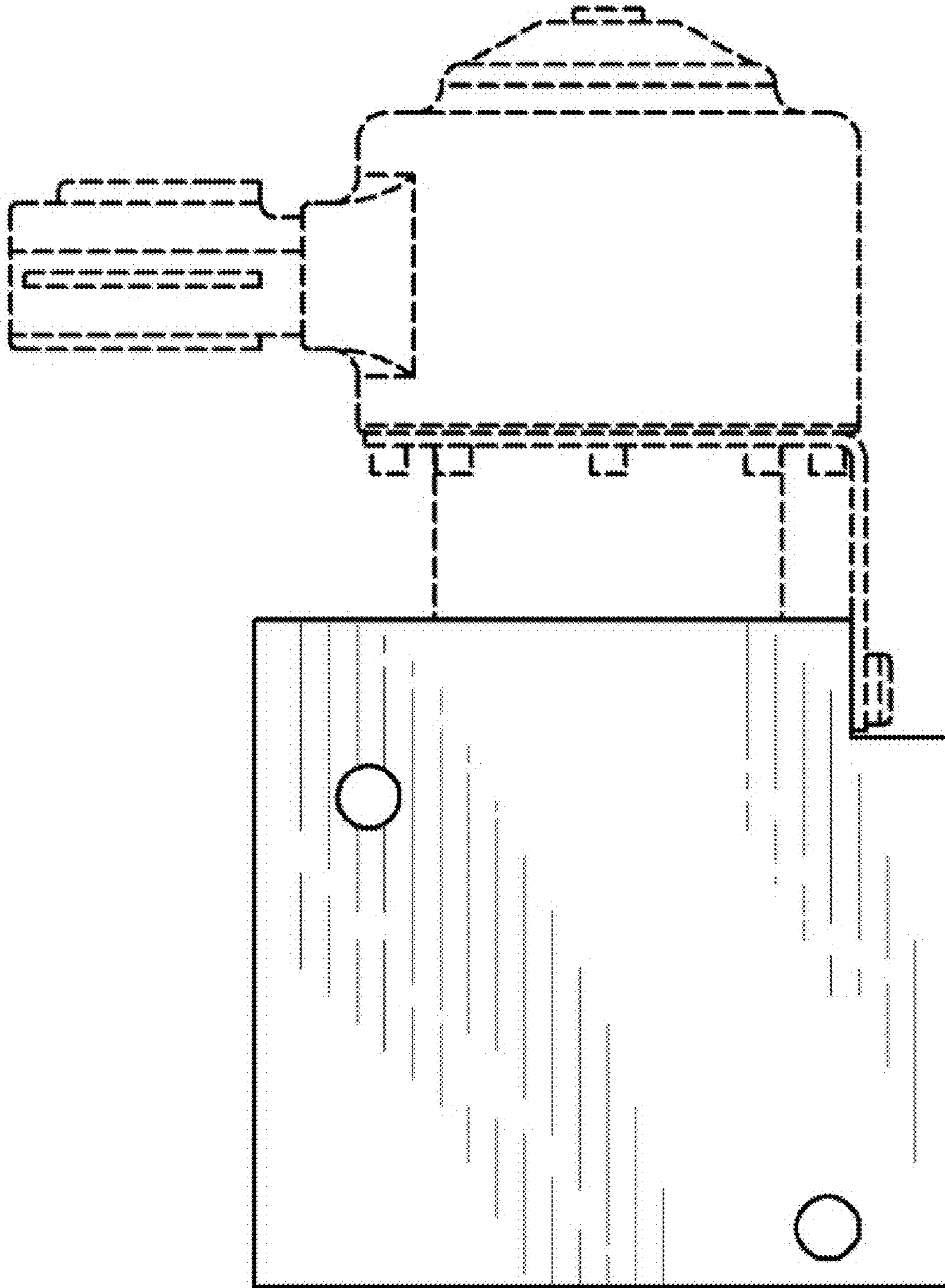
1.1



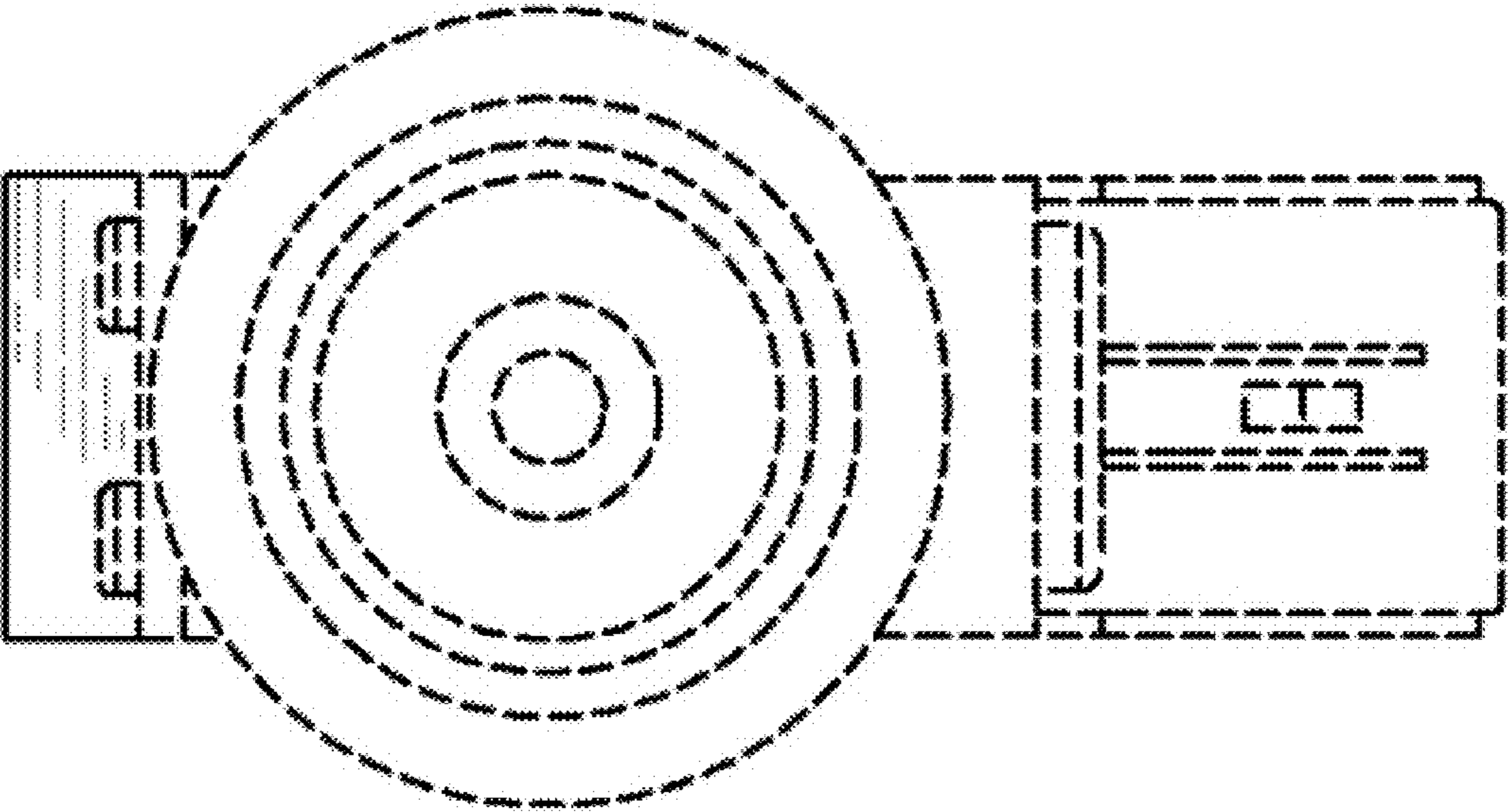
1.2



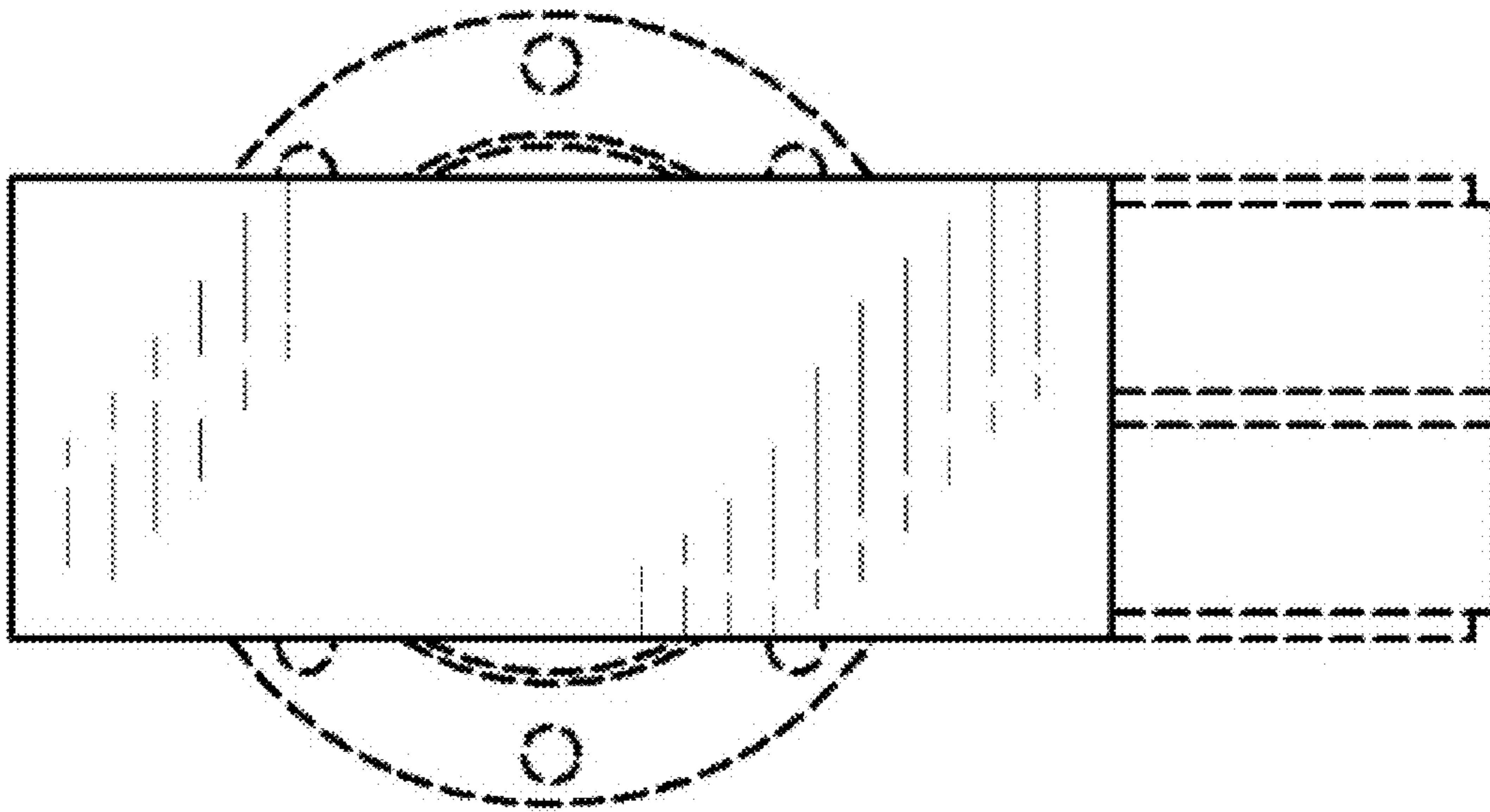
1.3



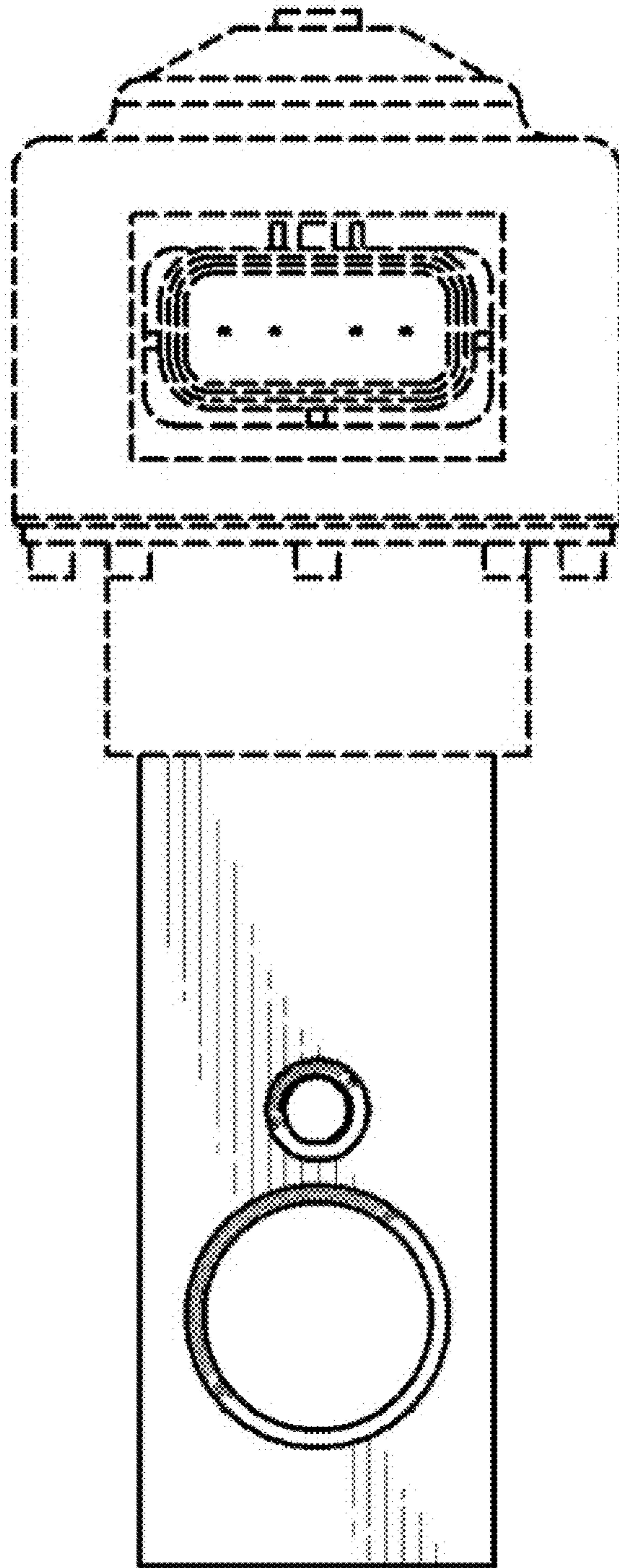
1.4



1.5



1.6



1.7

