



US00D800870S

(12) **United States Design Patent**  
**Daniels**

(10) **Patent No.:** **US D800,870 S**

(45) **Date of Patent:** **\*\* \*Oct. 24, 2017**

- (54) **VALVE HOUSING**
- (71) Applicant: **Clarke Industrial Engineering, Inc.**,  
North Kingstown, RI (US)
- (72) Inventor: **Kyle Daniels**, North Kingstown, RI  
(US)
- (73) Assignee: **Clarke Industrial Engineering, Inc.**,  
North Kingstown, RI (US)
- (\*) Notice: This patent is subject to a terminal disclaimer.
- (\*\*) Term: **15 Years**
- (21) Appl. No.: **29/530,857**
- (22) Filed: **Jun. 19, 2015**
- (51) **LOC (10) Cl.** ..... **23-01**
- (52) **U.S. Cl.**  
USPC ..... **D23/233**
- (58) **Field of Classification Search**  
USPC ..... 92/138; 417/110, 112, 115-117, 283,  
417/296, 307, 308, 434, 454; D23/233  
CPC ..... F16K 15/188; F16K 31/12; F16K 5/10  
See application file for complete search history.

- 5,647,737 A \* 7/1997 Gardner ..... F04B 53/1002  
417/454
- 8,056,466 B2 \* 11/2011 Bravo ..... F15B 15/066  
251/285
- 8,443,713 B2 \* 5/2013 Ogawa ..... F04B 1/0474  
91/493
- 8,910,920 B1 \* 12/2014 Daniels ..... F16K 3/03  
123/188.1
- 9,206,911 B1 \* 12/2015 Daniels ..... F16K 27/045
- 2005/0226747 A1 \* 10/2005 Ohashi ..... F04B 53/16  
417/434
- 2011/0064588 A1 \* 3/2011 Mack ..... F04B 11/0091  
417/53
- 2011/0186758 A1 \* 8/2011 Goldbeck ..... B23P 17/00  
251/59

(Continued)

*Primary Examiner* — Cynthia Ramirez  
*Assistant Examiner* — Michael Maharajh  
 (74) *Attorney, Agent, or Firm* — Morris, Manning &  
 Martin, LLP; Daniel E. Sineway, Esq.; Bryan D. Stewart,  
 Esq.

(57) **CLAIM**

The ornamental design for a valve housing, as shown and described.

**DESCRIPTION**

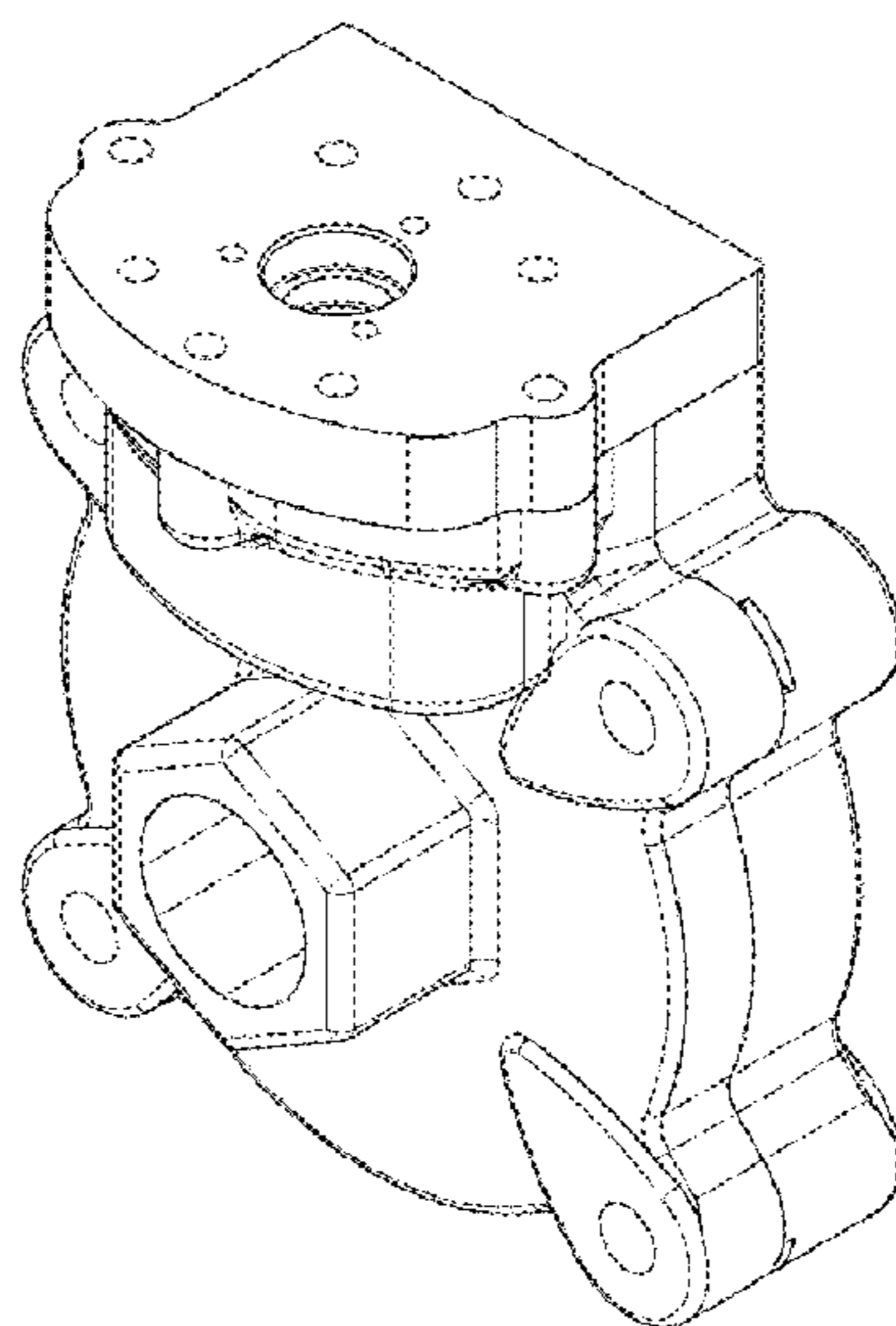
FIG. 1 is a front perspective view of a valve housing, showing the new design;  
 FIG. 2 is a front elevation view thereof;  
 FIG. 3 is a right side elevation view thereof;  
 FIG. 4 is a rear view thereof;  
 FIG. 5 is a top plan view thereof;  
 FIG. 6 is a left side view thereof;  
 FIG. 7 is a bottom plan view thereof; and,  
 FIG. 8 is a rear perspective view thereof.  
 The broken lines shown in the figures are for the purpose of illustrating portions of the valve housing and form no part of the claimed design.

**1 Claim, 8 Drawing Sheets**

(56) **References Cited**

U.S. PATENT DOCUMENTS

- 2,229,231 A \* 1/1941 Weyenberg ..... F02M 59/12  
417/302
- 2,234,090 A \* 3/1941 Sessions ..... B60S 9/10  
417/304
- 3,673,925 A \* 7/1972 Davies ..... F15B 15/222  
403/345
- 3,685,923 A \* 8/1972 Hutchins ..... F04B 27/0428  
417/273
- 4,443,161 A \* 4/1984 Masuda ..... F04C 15/06  
417/304
- 4,882,977 A \* 11/1989 Himeno ..... F01B 9/04  
403/337



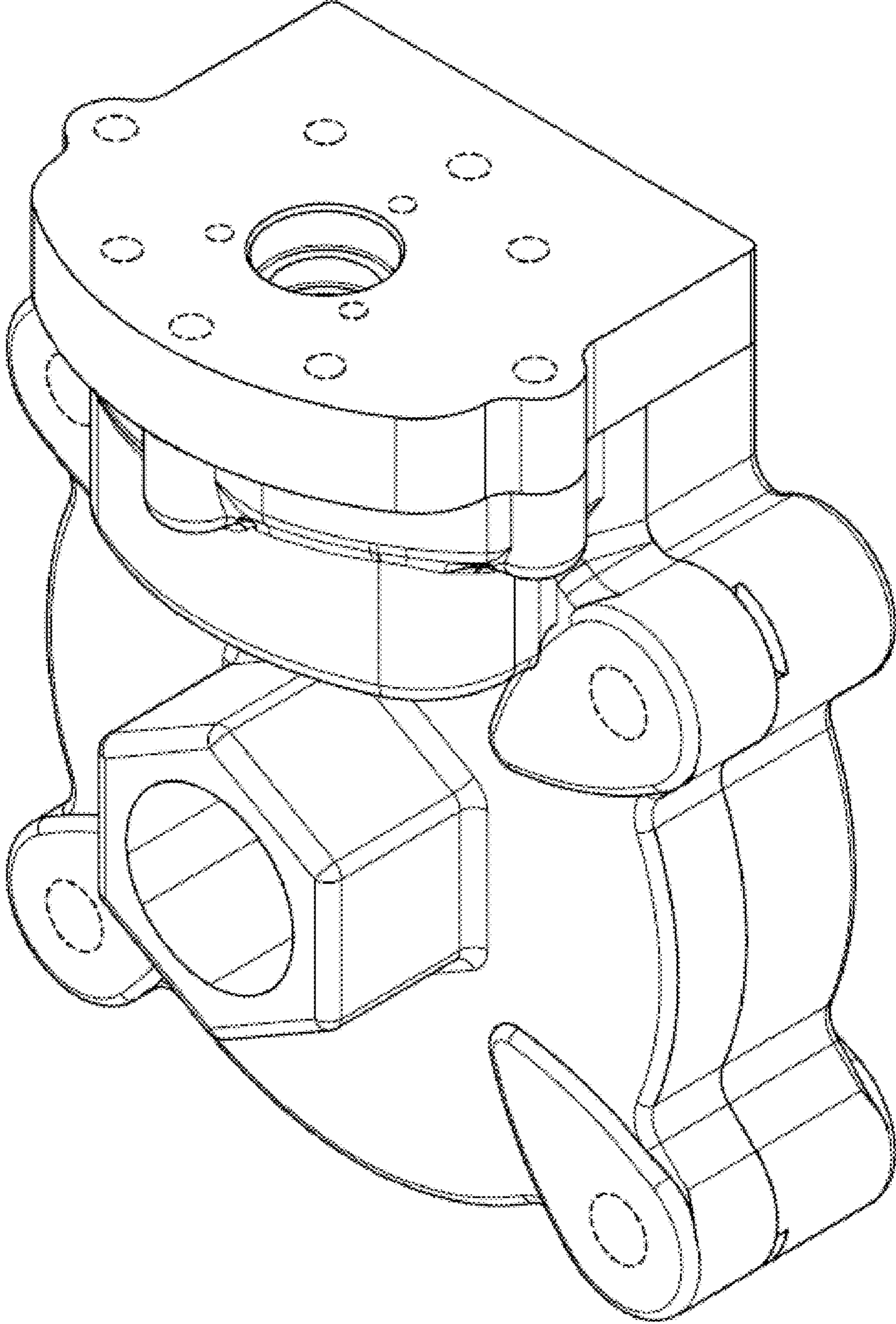
(56)

**References Cited**

U.S. PATENT DOCUMENTS

2015/0041695 A1\* 2/2015 Daniels ..... F16K 3/03  
251/212  
2015/0300525 A1\* 10/2015 Lin ..... F16L 55/033  
181/247

\* cited by examiner



**FIG. 1**

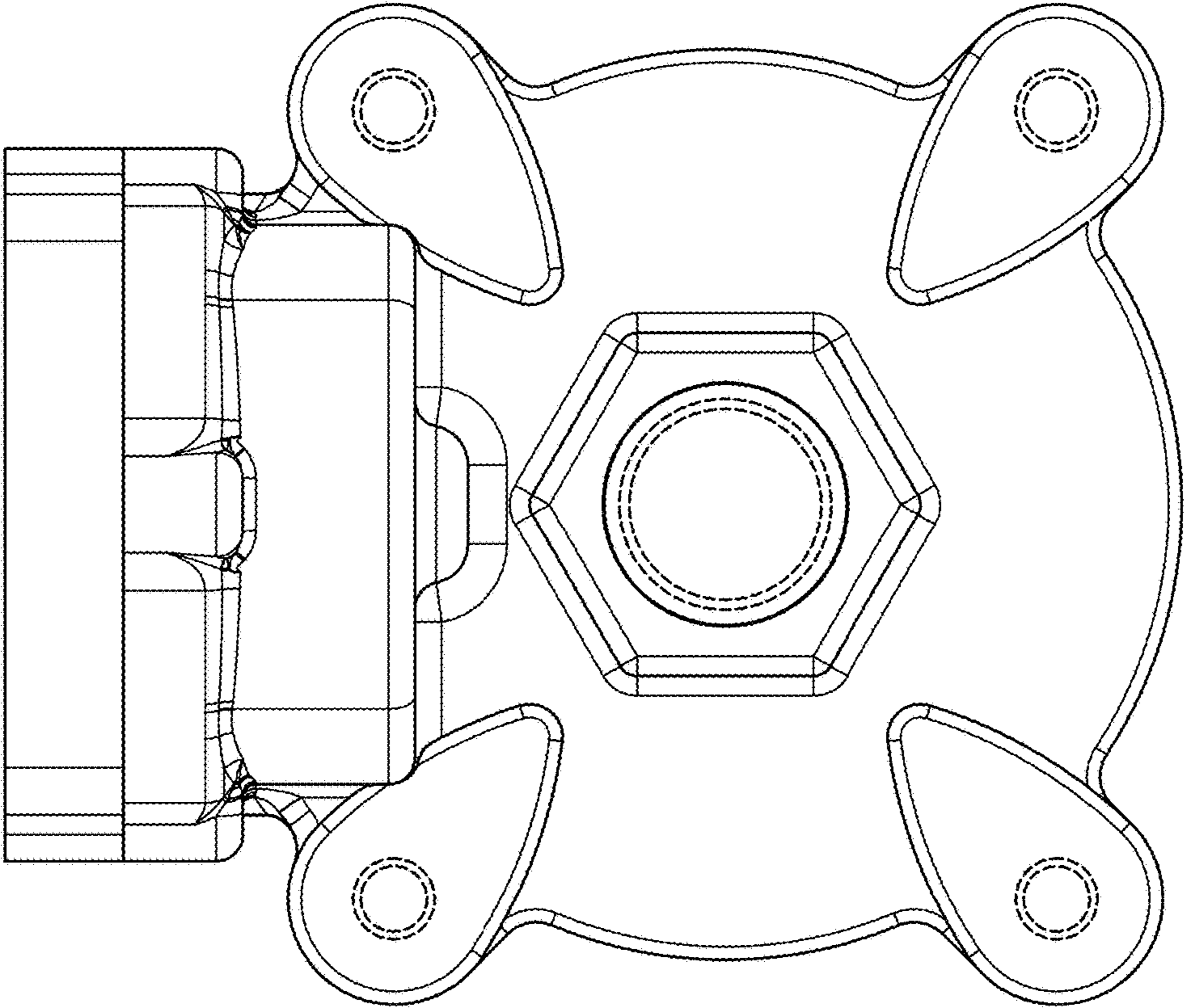


FIG. 2

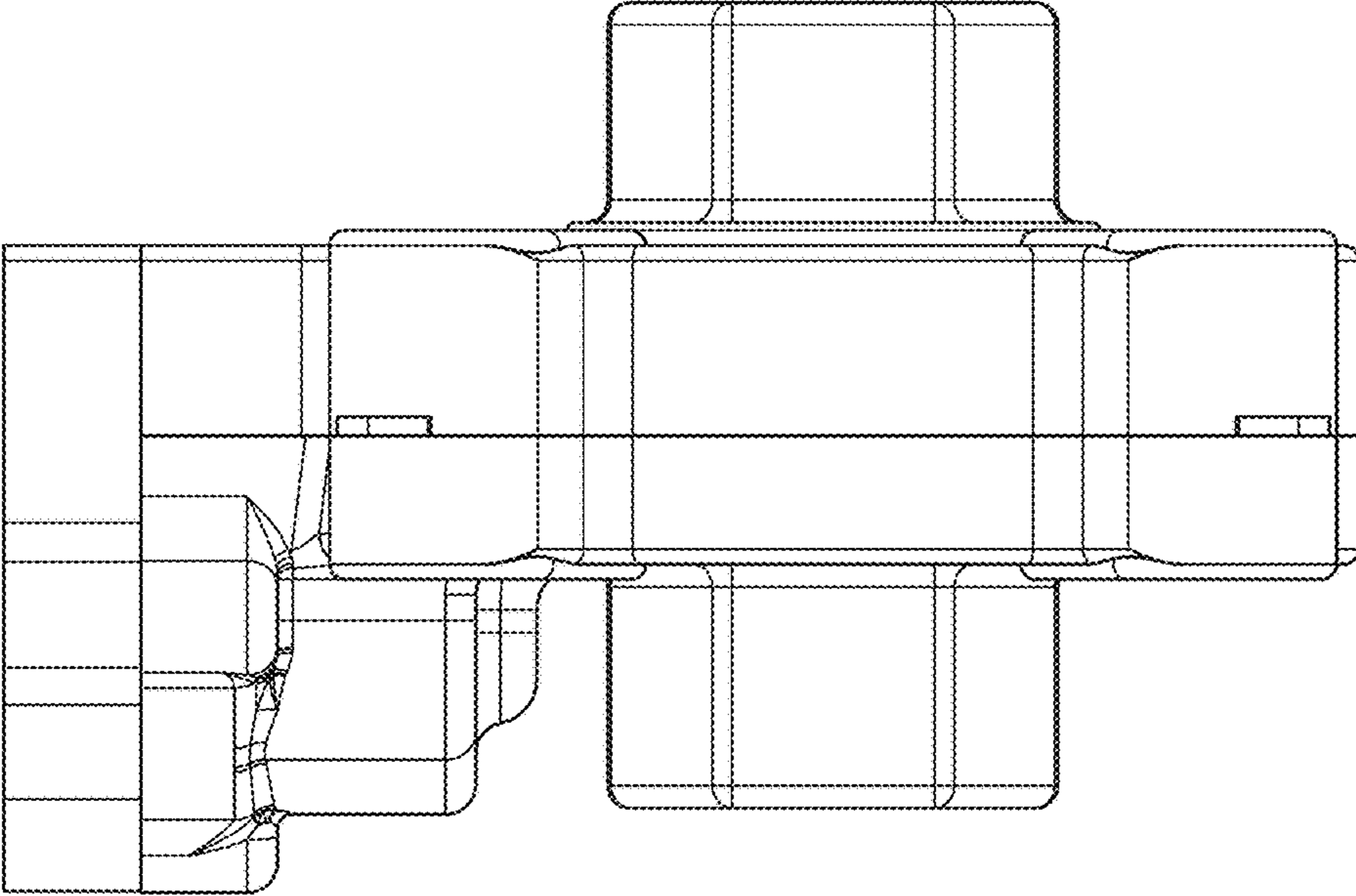


FIG. 3

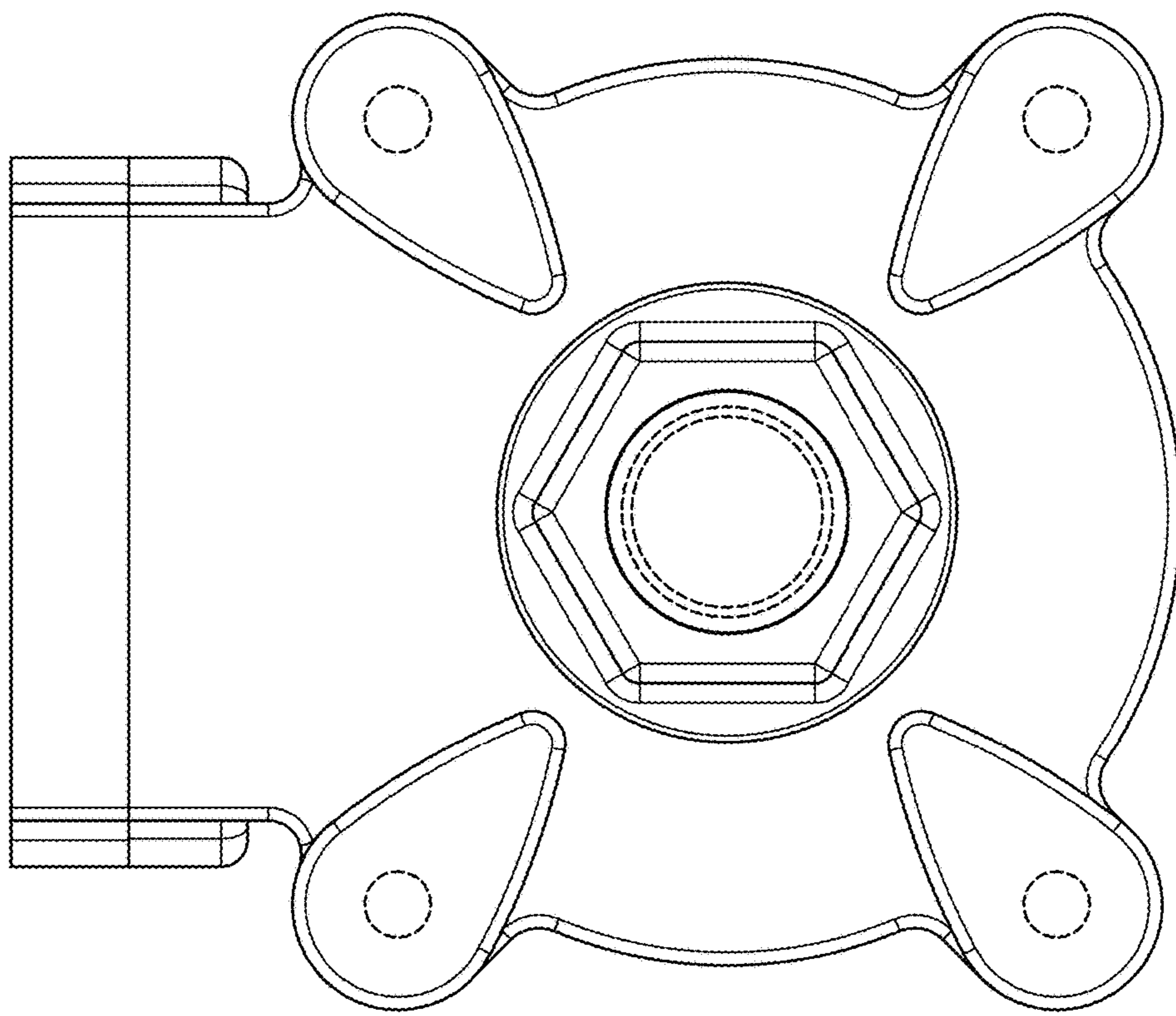


FIG. 4

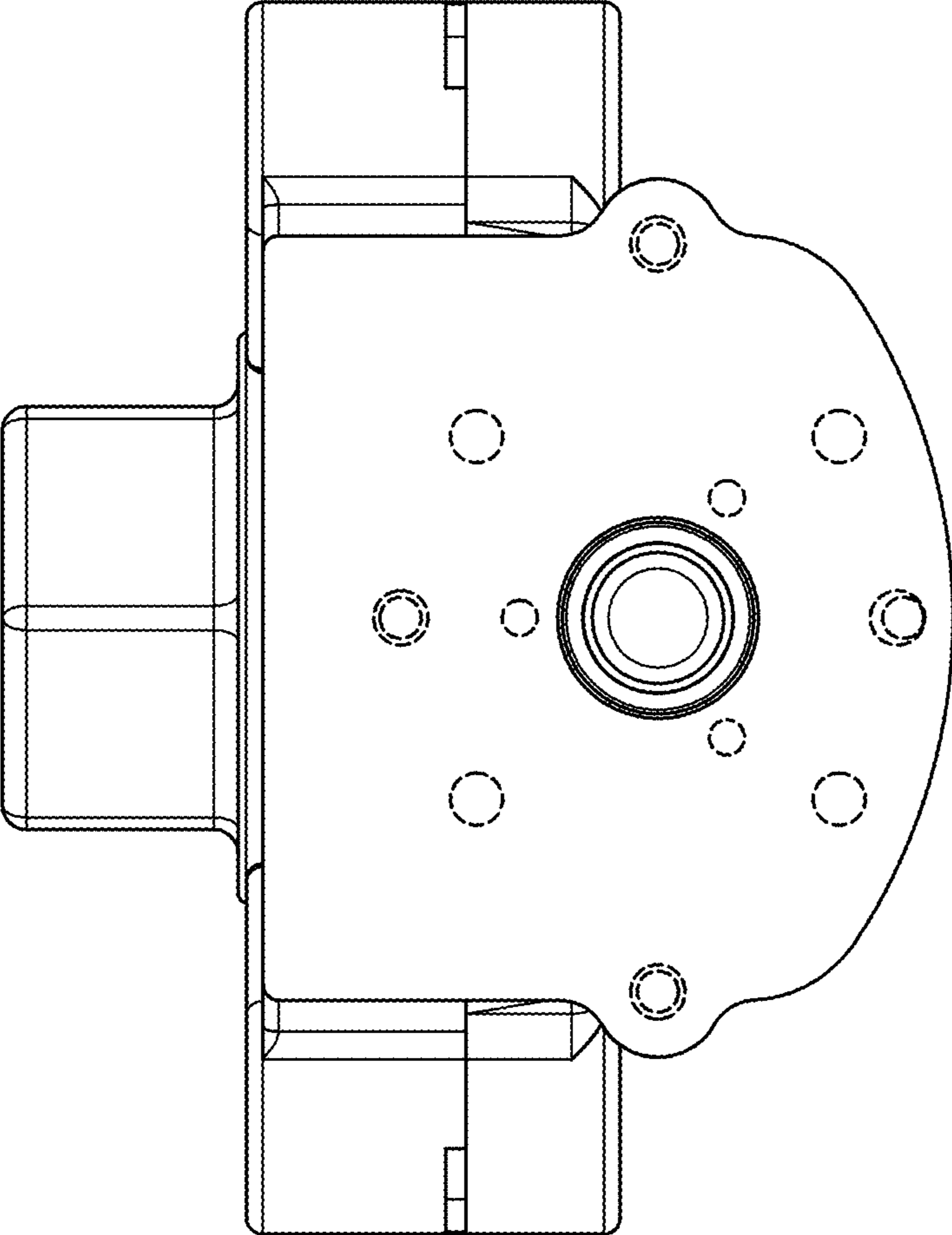


FIG. 5

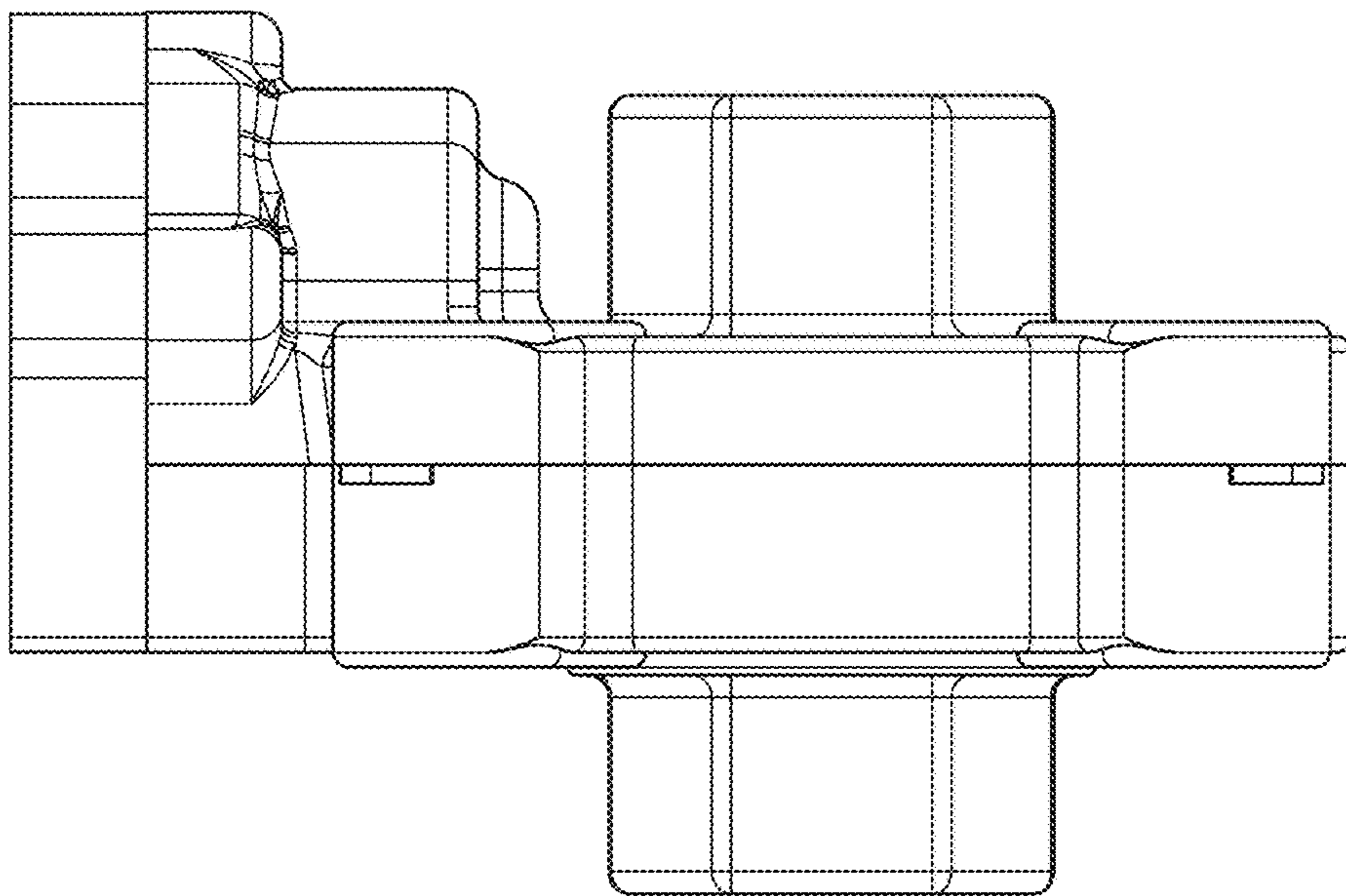


FIG. 6



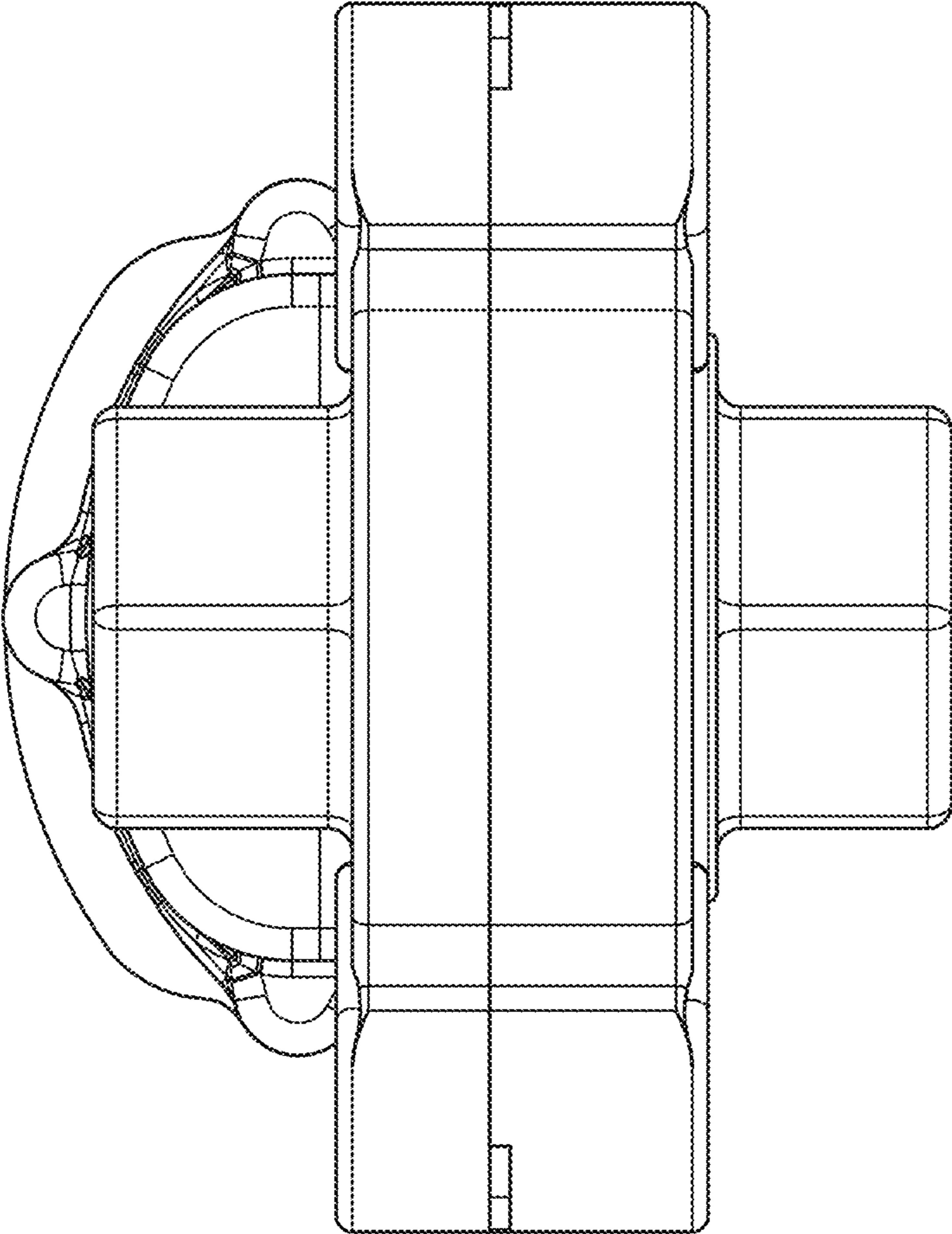


FIG. 7

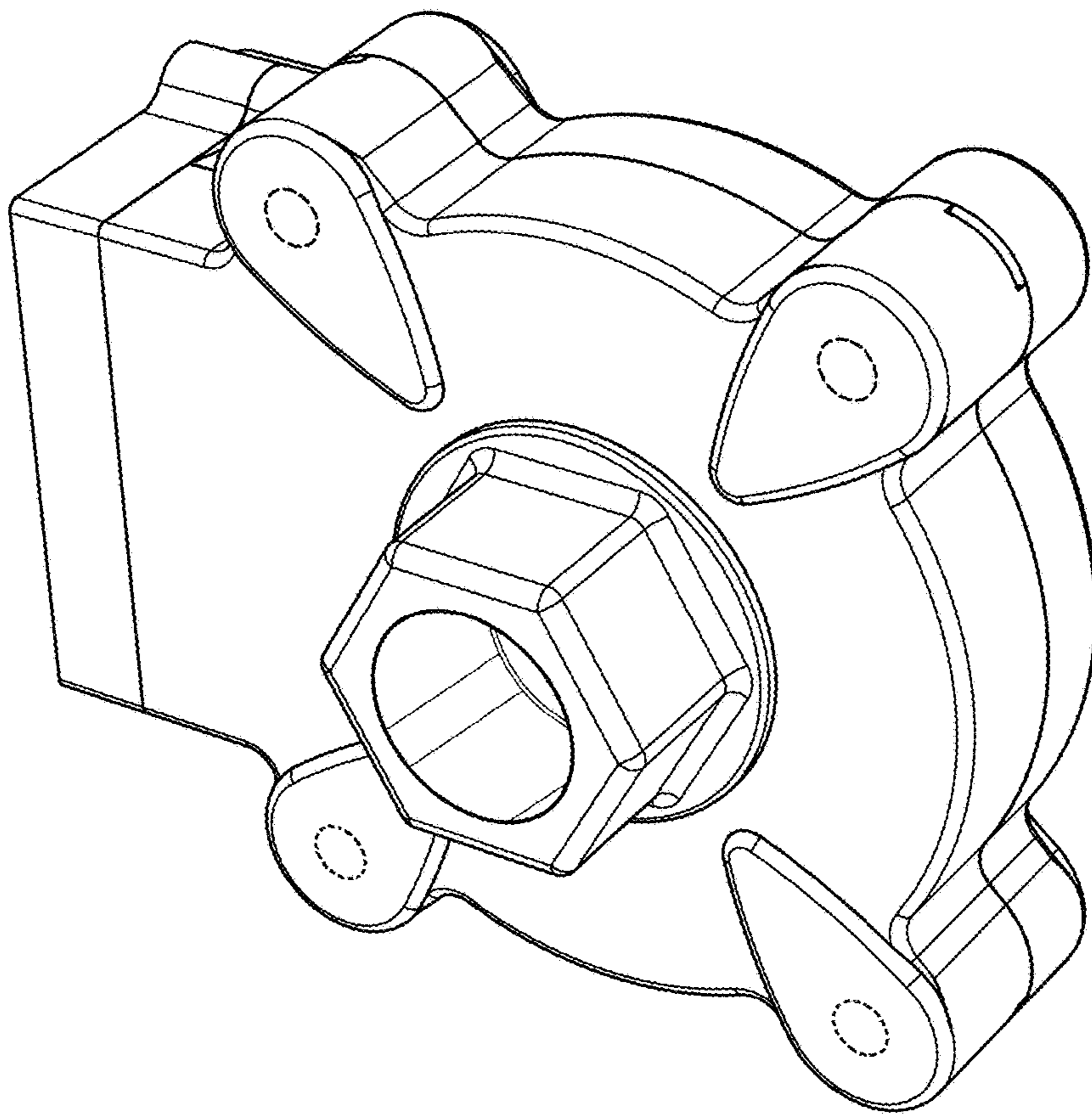


FIG. 8