



US00D800869S

(12) **United States Design Patent**  
**Lin et al.**

(10) **Patent No.:** **US D800,869 S**

(45) **Date of Patent:** **\*\* Oct. 24, 2017**

- (54) **SHOWERHEAD**
- (71) Applicant: **FUJIAN XIHE SANITARY WARE TECHNOLOGY CO., LTD.**, Nan'An (CN)
- (72) Inventors: **Xiaofa Lin**, Nan'An (CN); **Xiaoshan Lin**, Nan'An (CN); **Qing Kang**, Nan'An (CN); **Qiqiao Liu**, Nan'An (CN); **Xiaoqing Deng**, Nan'An (CN)
- (73) Assignee: **FUJIAN XIHE SANITARY WARE TECHNOLOGY CO., LTD.**, Nan'An (CN)

D525,341 S *	7/2006	Bossini	.....	D23/213
D530,391 S *	10/2006	Tse	.....	D23/223
D550,811 S *	9/2007	Lammel	.....	D23/223
D557,764 S *	12/2007	Schonherr	.....	D23/213
D589,592 S *	3/2009	Genord	.....	D23/213
D617,419 S *	6/2010	Lee	.....	D23/223
D617,873 S *	6/2010	Lee	.....	D23/229
D646,353 S *	10/2011	Yoo	.....	D23/213
D656,582 S *	3/2012	Flowers	.....	D23/213
D669,158 S *	10/2012	Flowers	.....	D23/229
D678,465 S *	3/2013	Zhadanov	.....	D23/213
D680,617 S *	4/2013	Zhadanov	.....	D23/213
D681,780 S *	5/2013	Cutler	.....	D23/229
D758,539 S *	6/2016	Nikles	.....	D23/229
D762,815 S *	8/2016	Hanna	.....	D23/213
D782,008 S *	3/2017	Naslund	.....	D23/226
2014/0367482 A1 *	12/2014	Cacka	.....	B05B 1/1654 239/11

(\*\*) Term: **15 Years**

\* cited by examiner

(21) Appl. No.: **29/565,534**

*Primary Examiner* — Robin V Webster

(22) Filed: **May 20, 2016**

*Assistant Examiner* — Rachel Voorhies

(51) **LOC (10) Cl.** ..... **23-01**

(74) *Attorney, Agent, or Firm* — Rabin & Berdo, P.C.

(52) **U.S. Cl.**

USPC ..... **D23/229**

(58) **Field of Classification Search**

USPC ..... D23/201, 211, 213, 221, 223, 225, 226,  
D23/229

CPC ..... B05B 1/18; B05B 1/00–1/08; B05B 1/20;  
B05B 15/063

See application file for complete search history.

(57) **CLAIM**

The ornamental design for showerhead, as shown and described.

**DESCRIPTION**

FIG. 1 is a front view of showerhead showing my new design;

FIG. 2 is a rear view thereof;

FIG. 3 is a left side view thereof;

FIG. 4 is a right side view thereof;

FIG. 5 is a top plan view thereof;

FIG. 6 is a bottom plan view thereof; and,

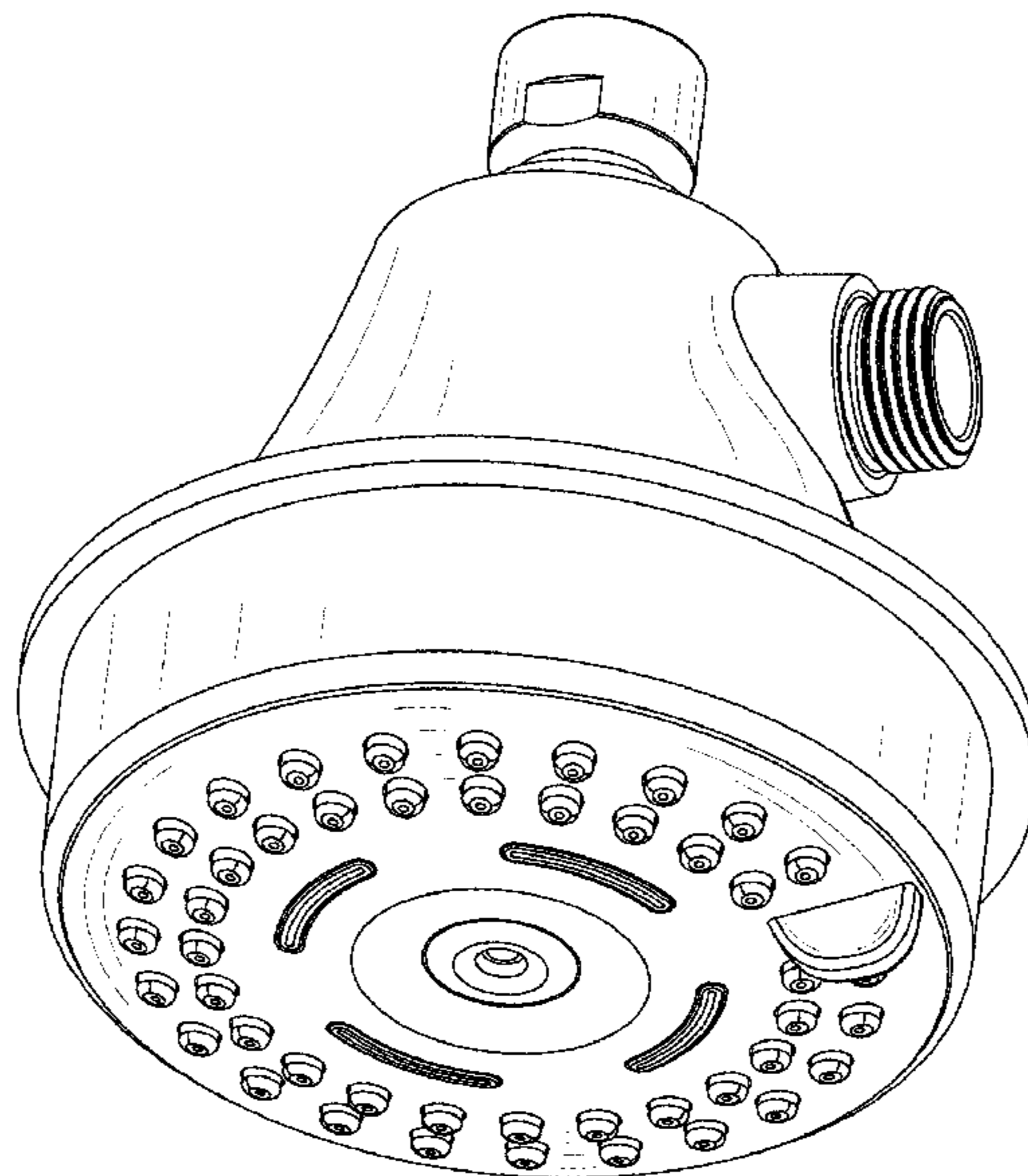
FIG. 7 is a perspective view thereof.

**1 Claim, 7 Drawing Sheets**

(56) **References Cited**

**U.S. PATENT DOCUMENTS**

D268,359 S *	3/1983	Klose	.....	D23/229
D385,334 S *	10/1997	Caroen	.....	D23/229
D447,218 S *	8/2001	Kollmann	.....	D23/229
D450,807 S *	11/2001	Lindholm	.....	D23/229
D497,408 S *	10/2004	Wu	.....	D23/229
D502,988 S *	3/2005	Wu	.....	D23/229



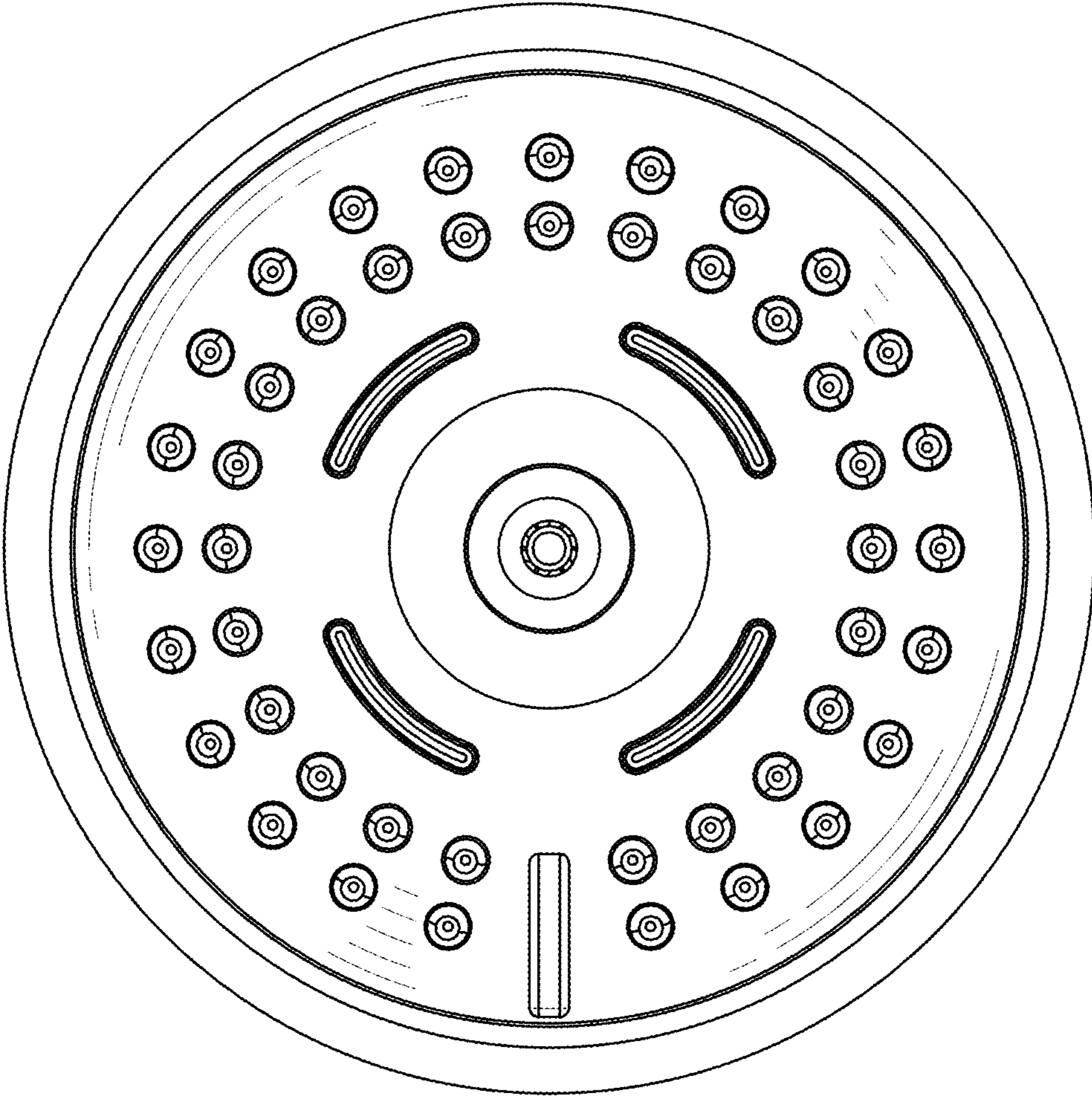


FIG. 1

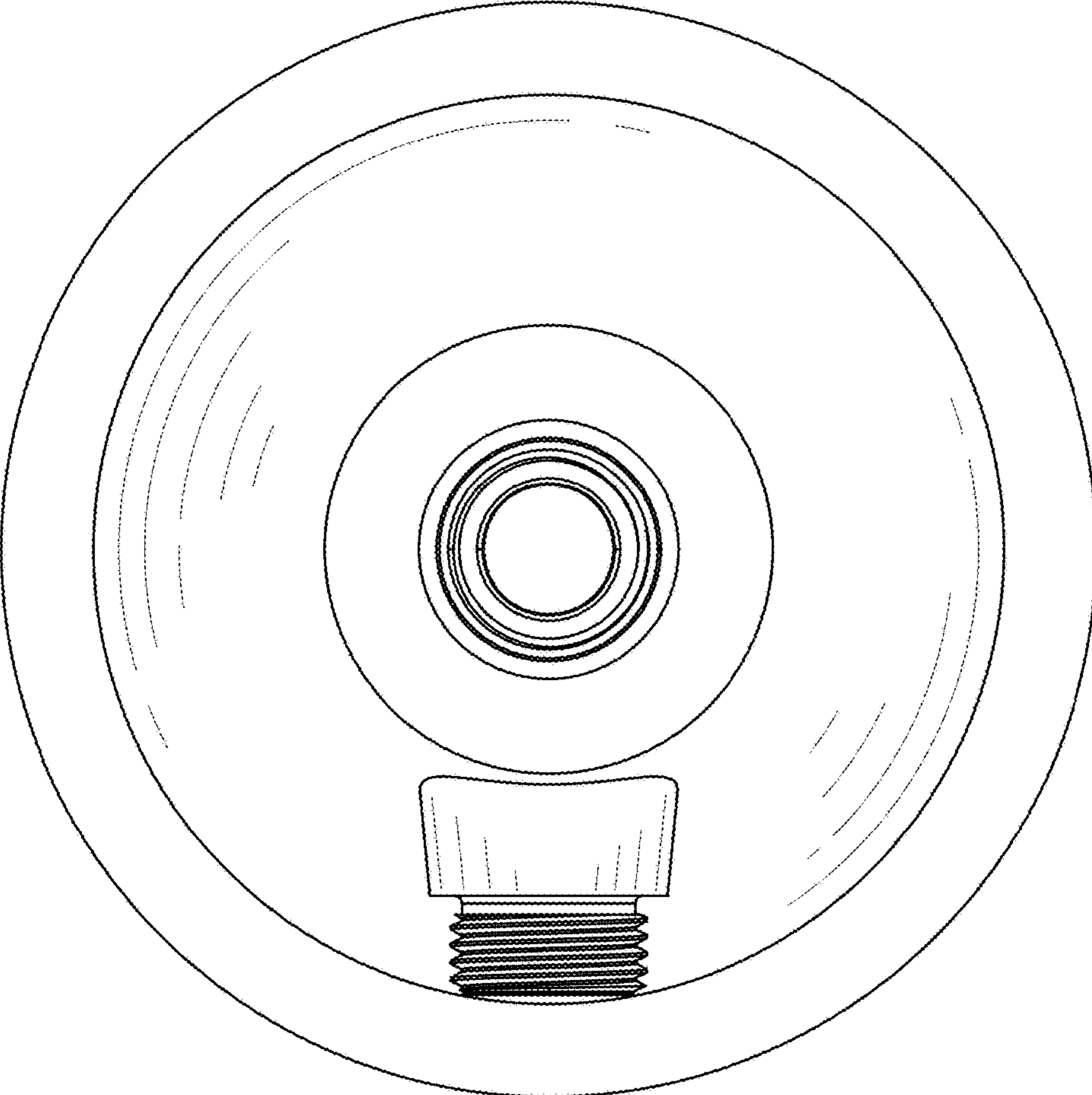


FIG. 2

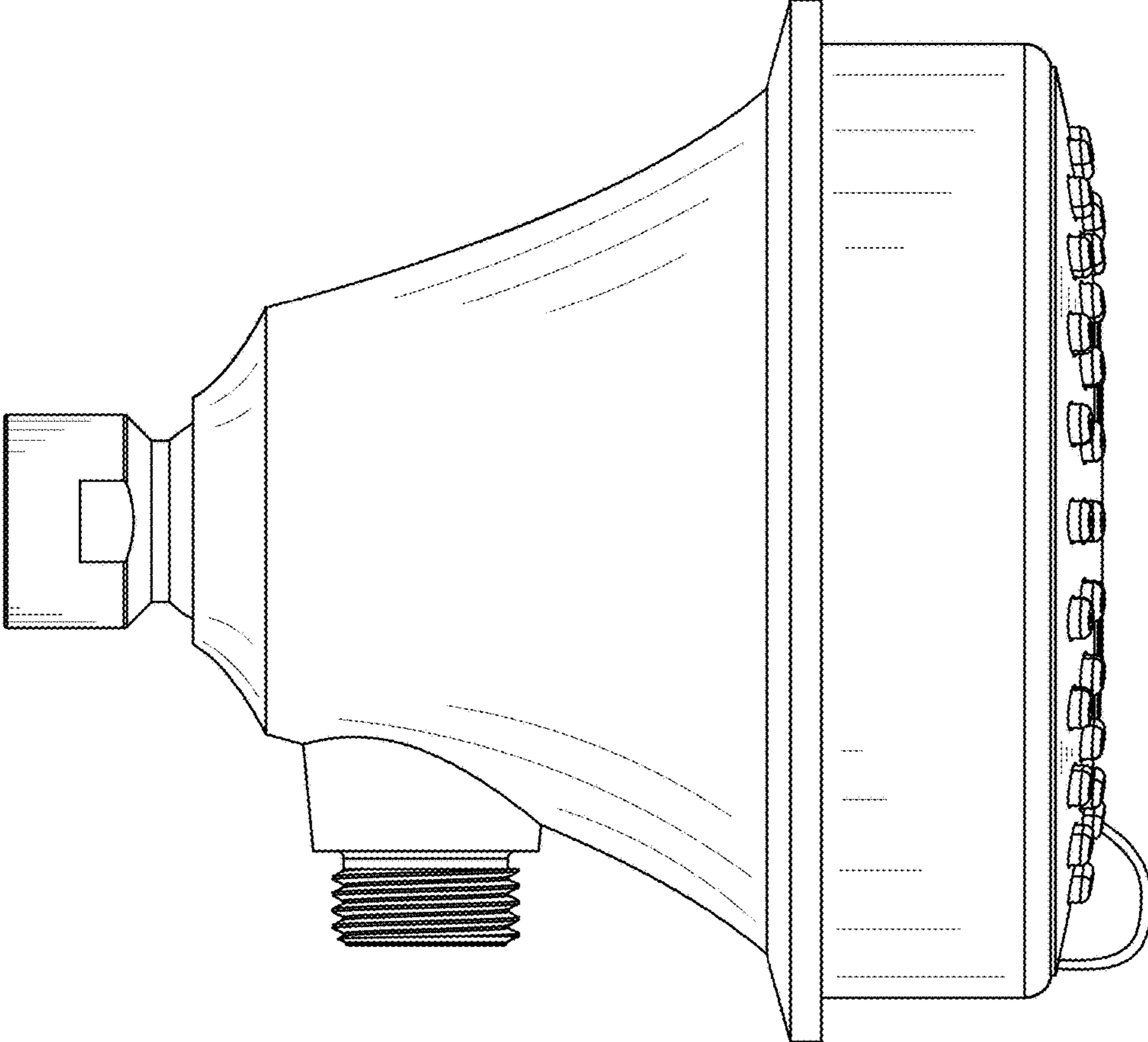


FIG. 3



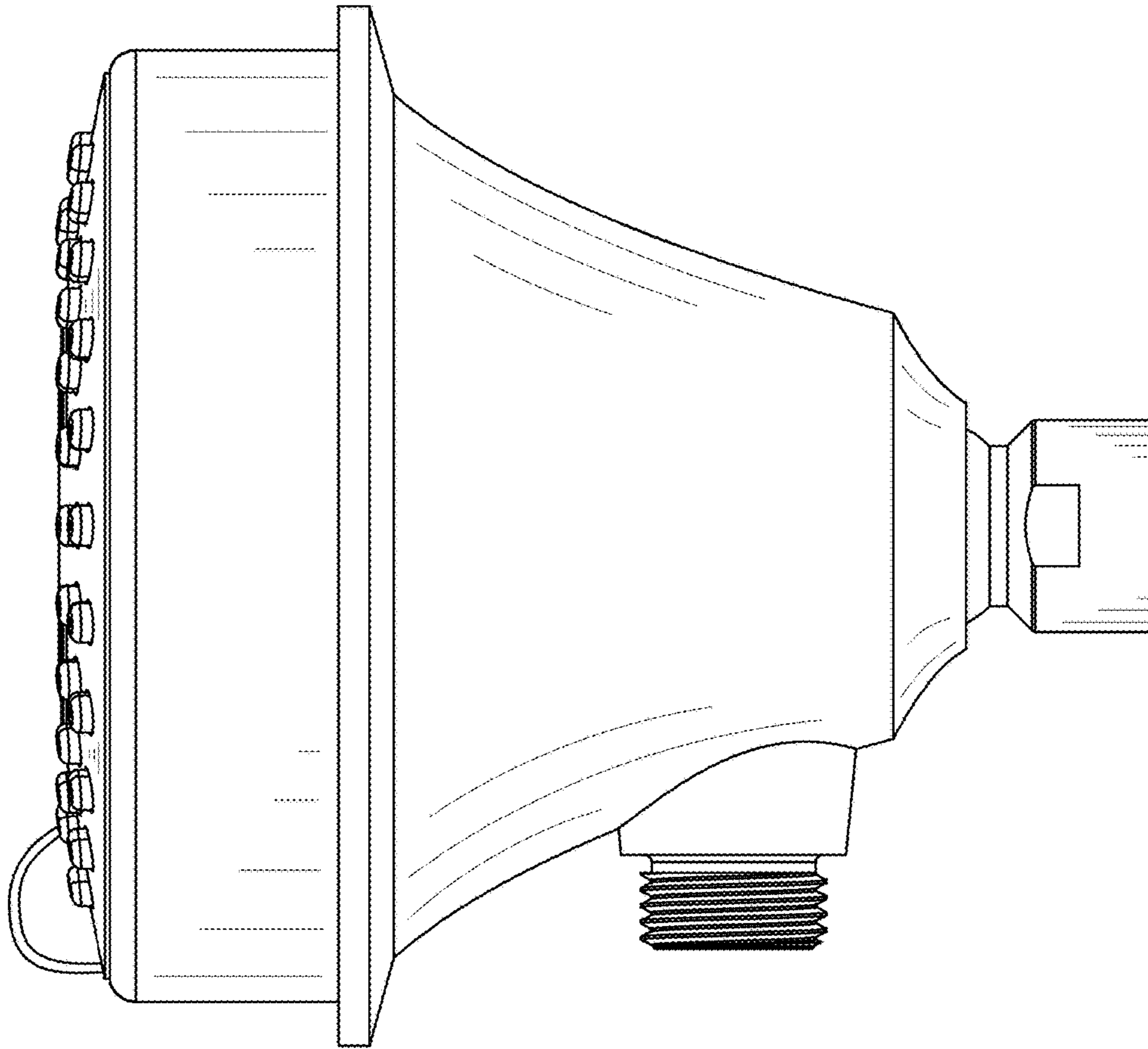


FIG. 4

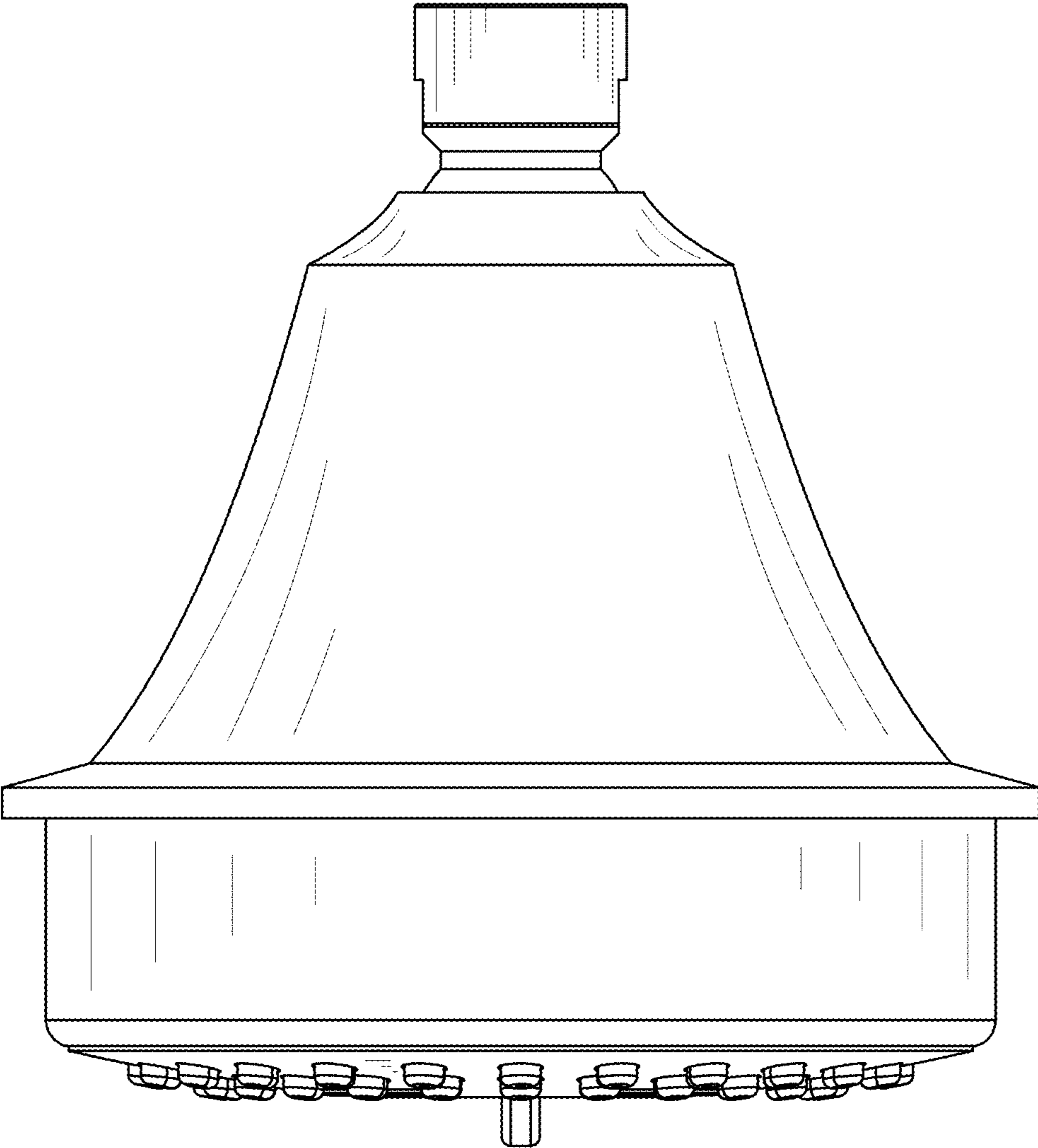


FIG. 5

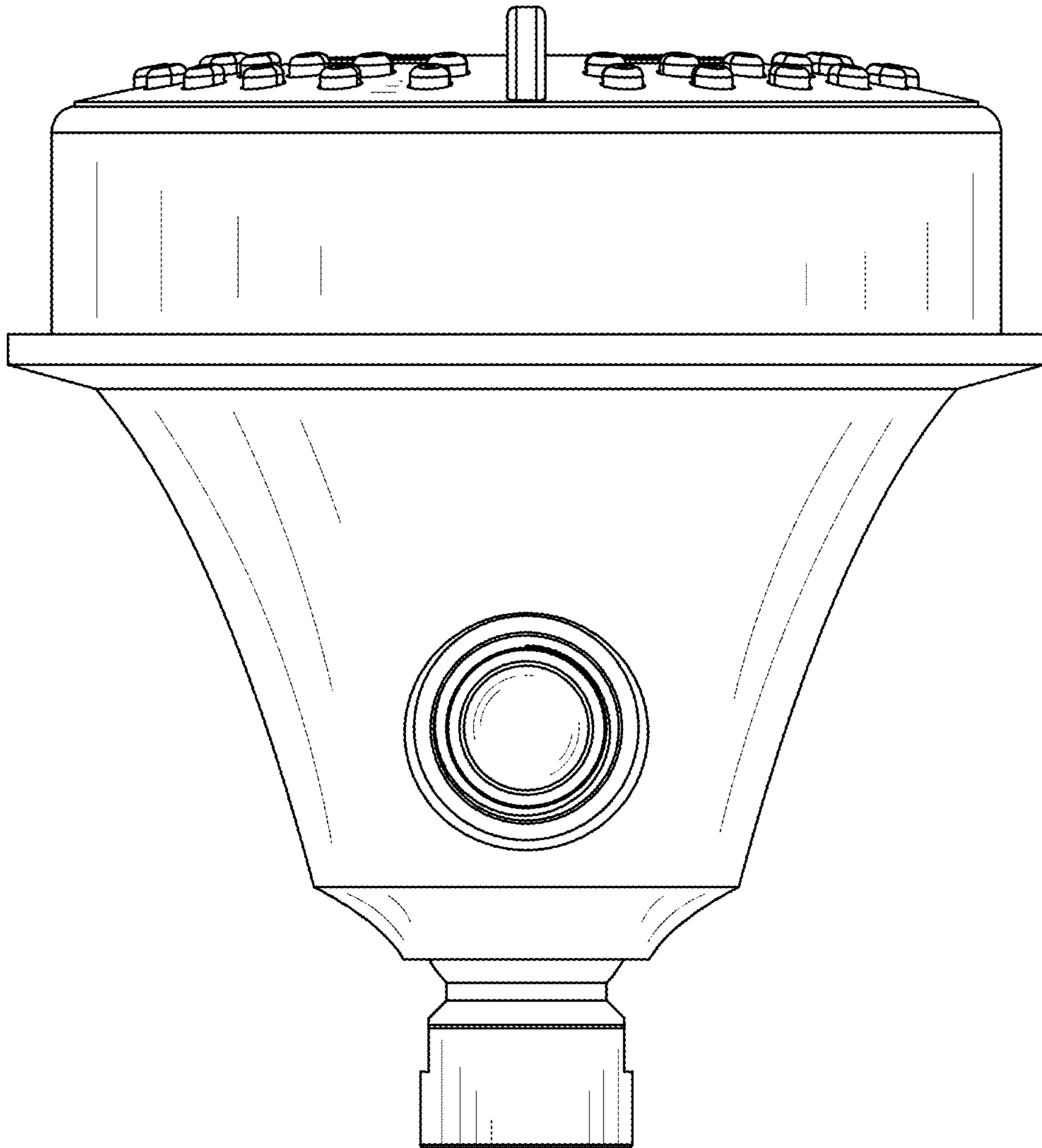


FIG. 6

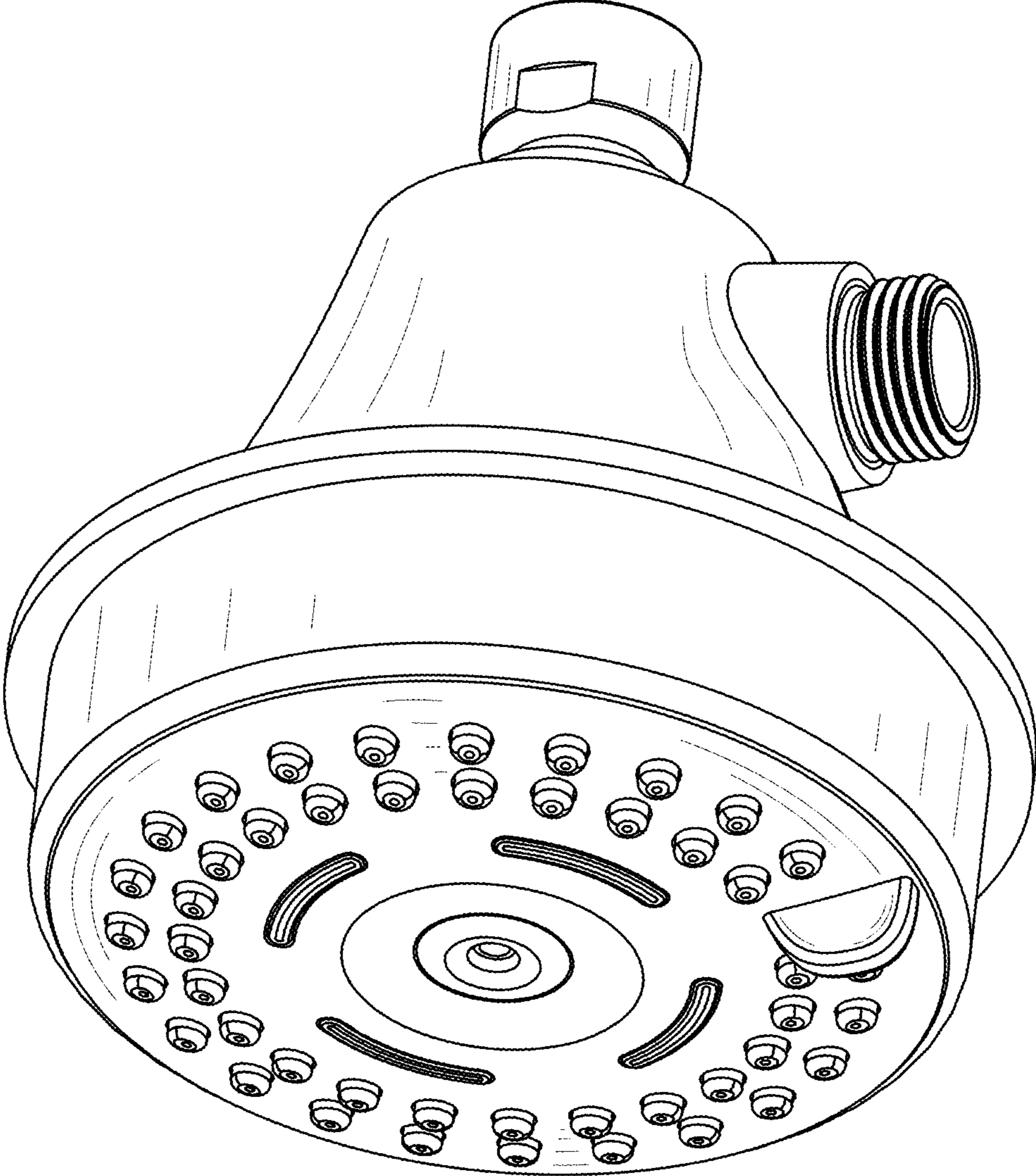


FIG. 7