



US00D800868S

(12) **United States Design Patent** (10) **Patent No.:** **US D800,868 S**
Crenshaw (45) **Date of Patent:** **** Oct. 24, 2017**

(54) **DUAL NOZZLE SPRAYER**

(71) Applicant: **Kenneth D. Crenshaw**, Bartlett, TN
(US)

(72) Inventor: **Kenneth D. Crenshaw**, Bartlett, TN
(US)

(**) Term: **15 Years**

(21) Appl. No.: **29/558,569**

(22) Filed: **Mar. 18, 2016**

(51) **LOC (10) Cl.** **23-01**

(52) **U.S. Cl.**
USPC **D23/226**

(58) **Field of Classification Search**
USPC D23/232, 223, 226, 228, 213, 214, 221,
D23/224-225, 227, 229-230
CPC B05B 7/02; B05B 7/2478; B05B 15/0258;
B05B 15/005; B05B 9/01; A62C 31/28;
A62C 33/04

See application file for complete search history.

(56) **References Cited**

U.S. PATENT DOCUMENTS

D376,637 S * 12/1996 Kieffer D23/223
5,667,143 A * 9/1997 Sebion B05B 7/1209
137/539
D405,159 S * 2/1999 Kieffer D23/226
D449,670 S * 10/2001 Carpenter D23/226
D474,256 S * 5/2003 Hubmann D23/213
D489,792 S * 5/2004 Chen D23/223
D565,153 S * 3/2008 Downey D23/223
D725,743 S * 3/2015 Richter D23/226
D727,466 S * 4/2015 Richter D23/226

D764,023 S * 8/2016 Woodard D23/223
2007/0267523 A1 * 11/2007 Roumanis B05B 7/0408
239/526
2015/0017327 A1 * 1/2015 Myers B05B 7/1209
427/207.1

* cited by examiner

Primary Examiner — Robin V Webster

Assistant Examiner — Rachel A Voorhies

(74) *Attorney, Agent, or Firm* — Patterson Intellectual
Property Law, P.C.; Edward D. Lanquist, Jr.; Garrett M.
Hausman

(57) **CLAIM**

What is claimed is the ornamental design for a dual nozzle
sprayer, as shown and described.

DESCRIPTION

FIG. 1 is a top perspective view showing the dual nozzle
sprayer of Applicant's new design.

FIG. 2 is a bottom perspective view of the dual nozzle
sprayer of FIG. 1.

FIG. 3 is a top plan view of the dual nozzle sprayer of FIG.
1.

FIG. 4 is a left side elevation view of the dual nozzle sprayer
of FIG. 1, the right side elevation view being an identical
mirror image thereto.

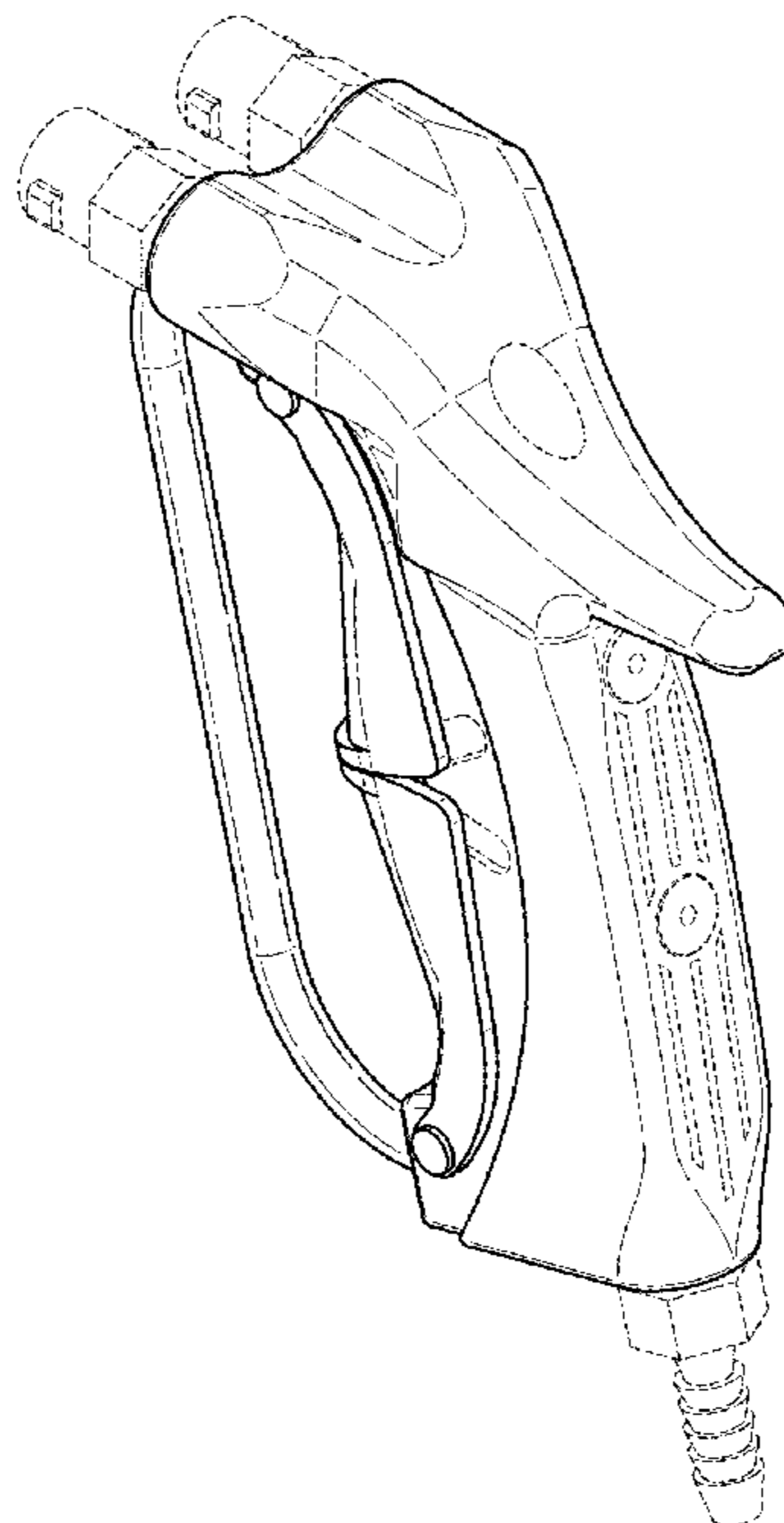
FIG. 5 is a bottom plan view of the dual nozzle sprayer of
FIG. 1.

FIG. 6 is a front elevation view of the dual nozzle sprayer
of FIG. 1; and,

FIG. 7 is a back elevation view of the dual nozzle sprayer of
FIG. 1.

The broken lines in the drawings illustrate portions of the
dual nozzle sprayer which form no part of the claimed
design.

1 Claim, 3 Drawing Sheets



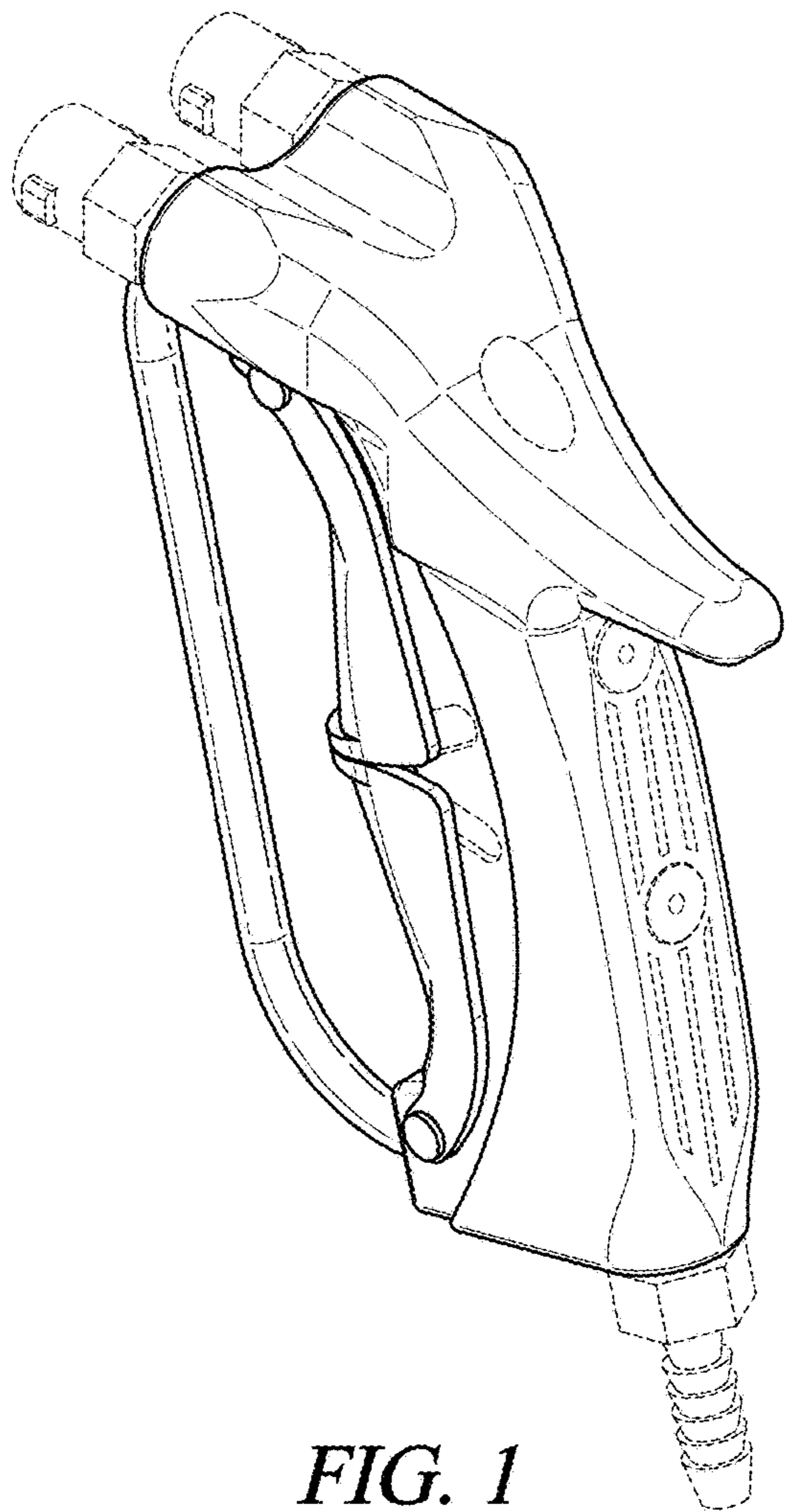


FIG. 1

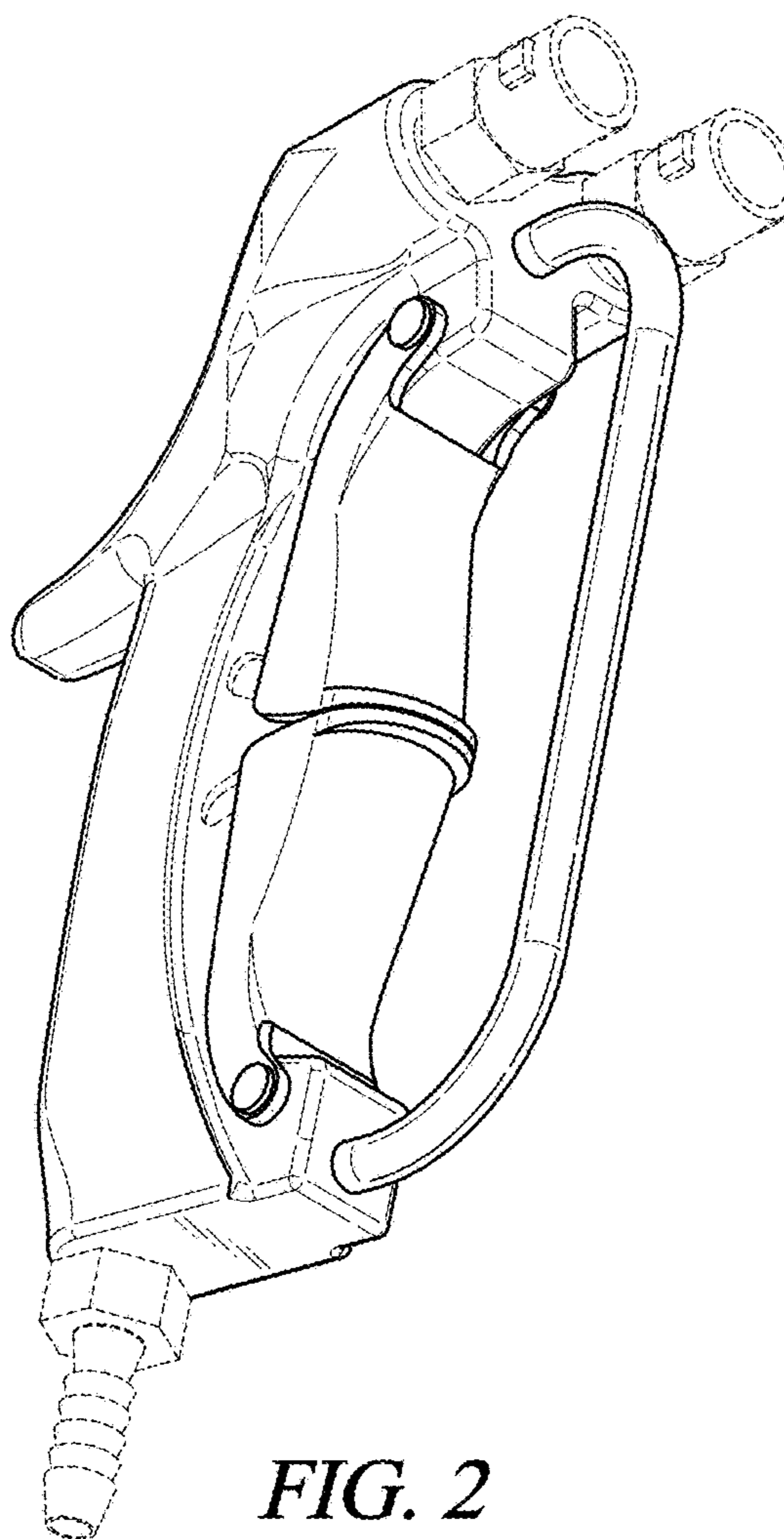


FIG. 2

FIG. 3

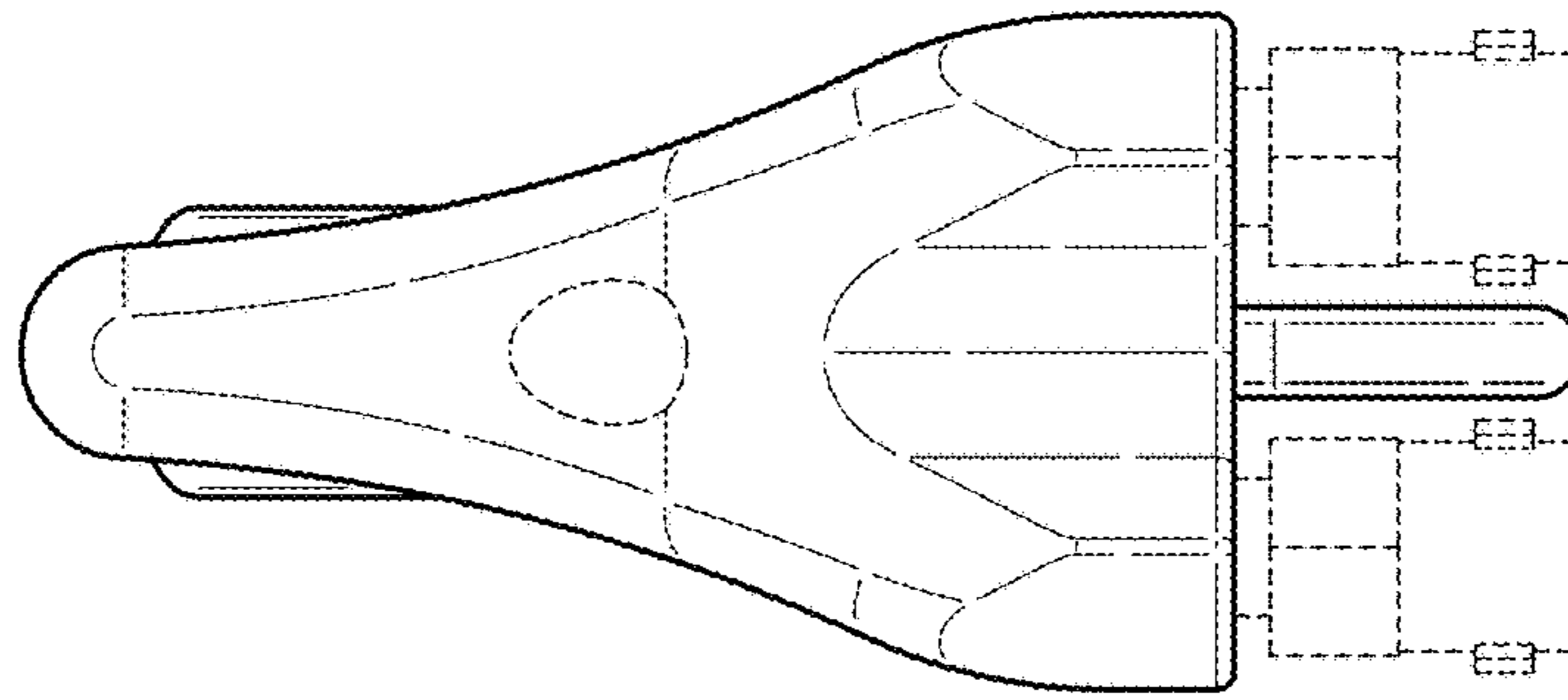


FIG. 4

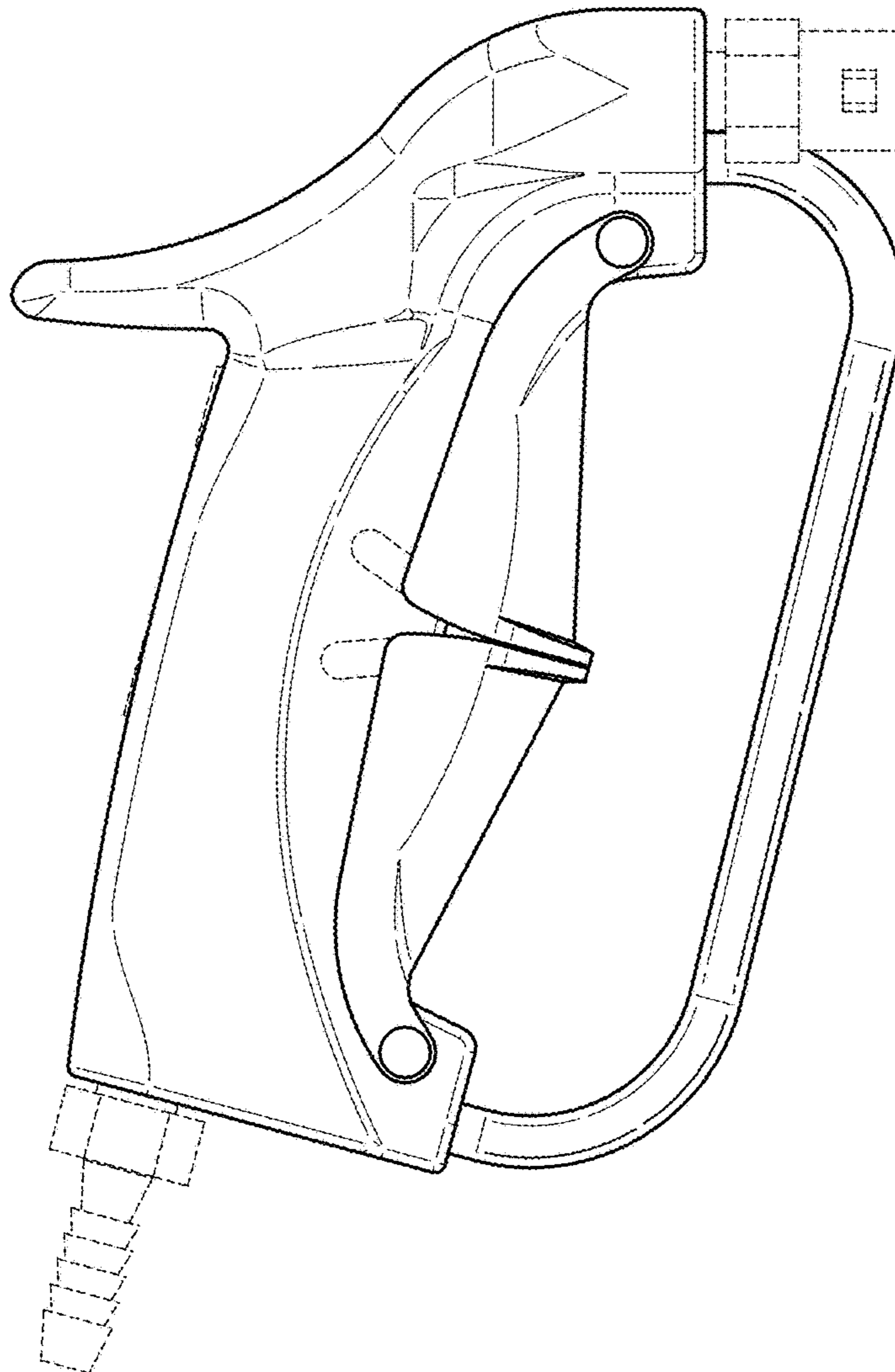
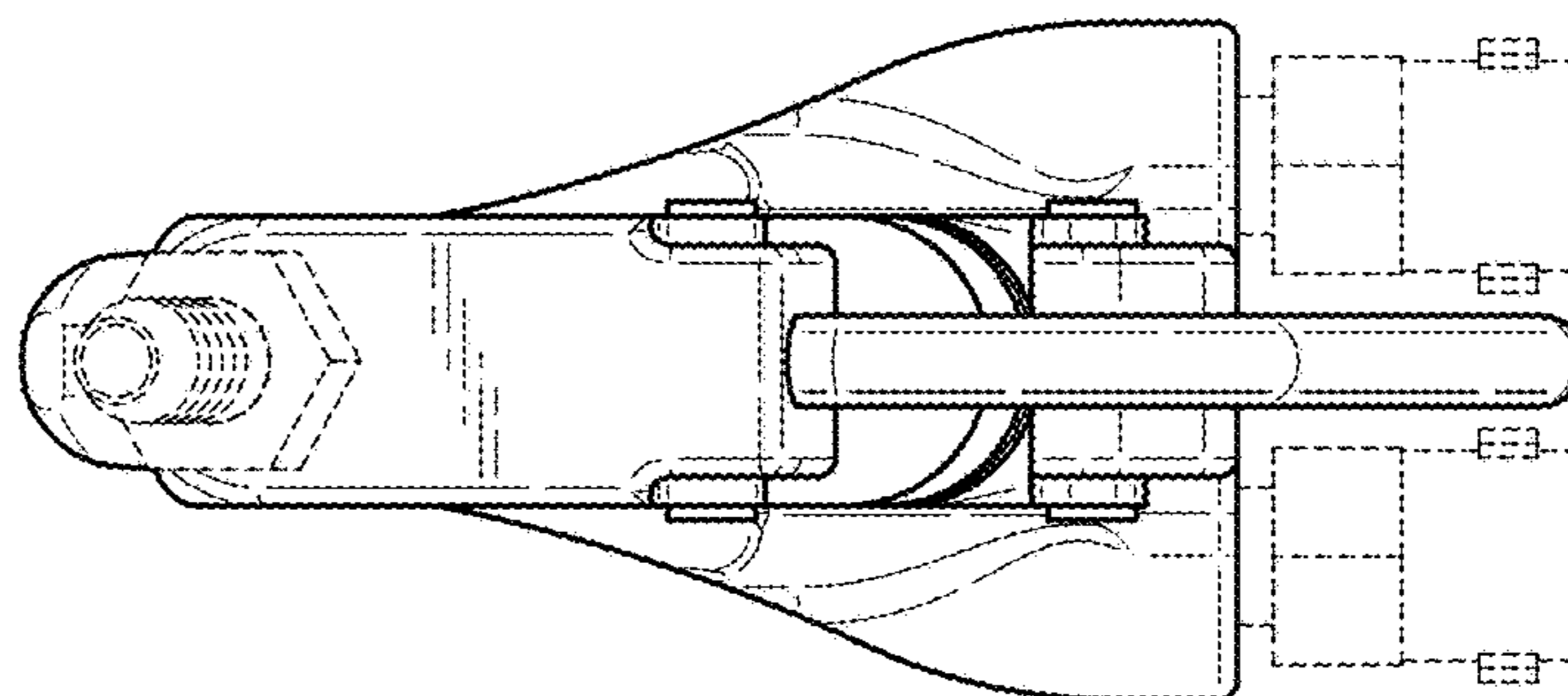


FIG. 5



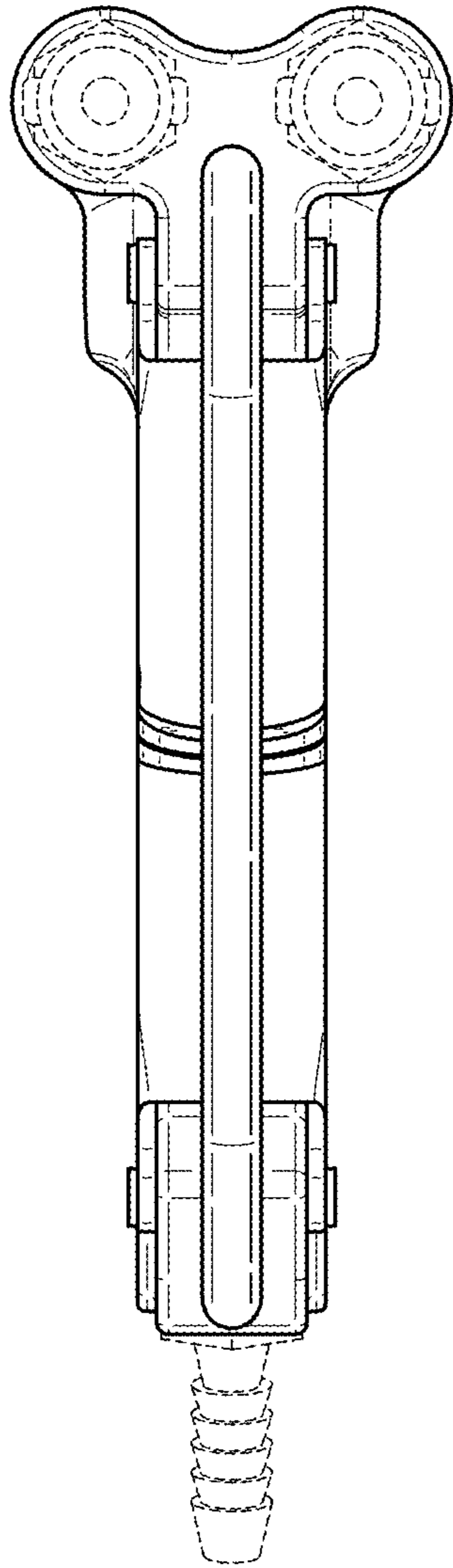


FIG. 6

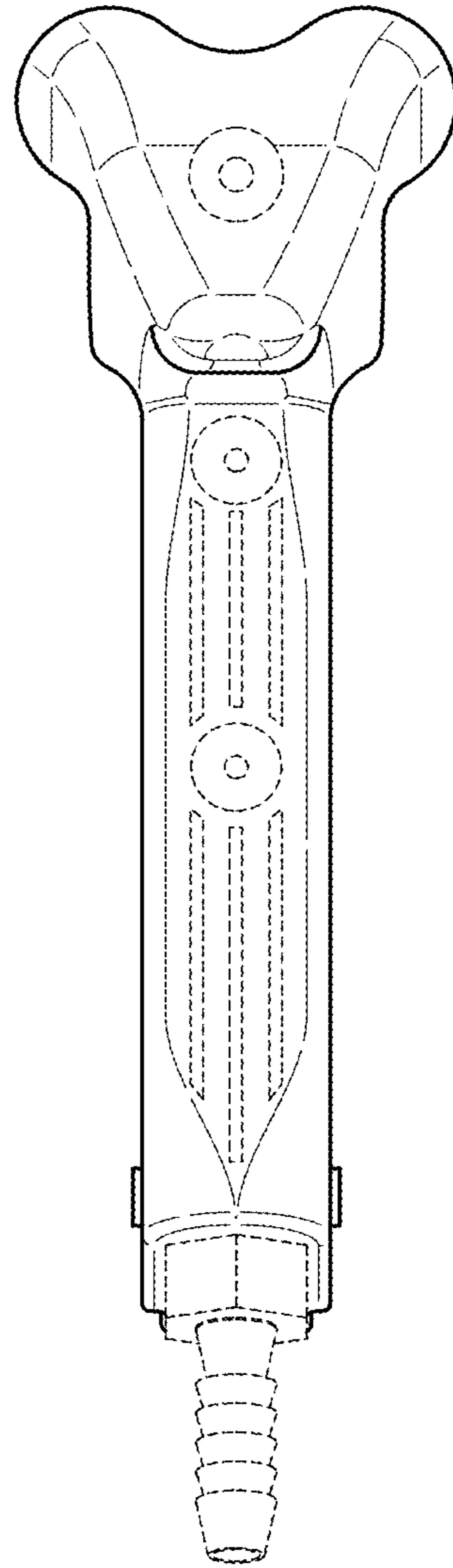


FIG. 7