



US00D800865S

(12) **United States Design Patent** (10) **Patent No.:** **US D800,865 S**
Derus et al. (45) **Date of Patent:** **** Oct. 24, 2017**

- (54) **ARROWHEAD**
- (71) Applicant: **Slick Trick LLC**, West Henrietta, NY (US)
- (72) Inventors: **Michael W. Derus**, Hudson, FL (US); **Hans Walthert**, Leroy, NY (US)
- (73) Assignee: **Slick Trick, LLC**, West Henrietta, NY (US)
- (**) Term: **15 Years**
- (21) Appl. No.: **29/558,408**
- (22) Filed: **Mar. 17, 2016**
- (51) **LOC (10) Cl.** **22-03**
- (52) **U.S. Cl.**
USPC **D22/115**; D22/107
- (58) **Field of Classification Search**
USPC D22/100, 102, 107, 115, 199; 124/23.1, 124/25, 86, 88; 473/583, 589, 578, 584
CPC F42B 6/04; F42B 6/08; F42B 12/362
See application file for complete search history.

- 9,022,886 B2 * 5/2015 Faller F42B 6/08 473/582
- 9,303,963 B1 * 4/2016 Ford F42B 12/34
- D765,208 S * 8/2016 Loa D22/107
- D774,615 S * 12/2016 Pedersen D22/107
- (Continued)

FOREIGN PATENT DOCUMENTS

WO 2008079658 A2 7/2008

OTHER PUBLICATIONS

RipTrick Broadhead, 2016, [online], [site visited Dec. 27, 2016]. Retrieved from <url:https://slicktrick.net/collections/riptrick/products/riptrick-broadhead-1-pack>.*

(Continued)

Primary Examiner — Jeffrey D Asch
Assistant Examiner — Tracey J Bell

(74) *Attorney, Agent, or Firm* — Barclay Damon LLP

(57) **CLAIM**

The ornamental design for an arrowhead, as shown and described.

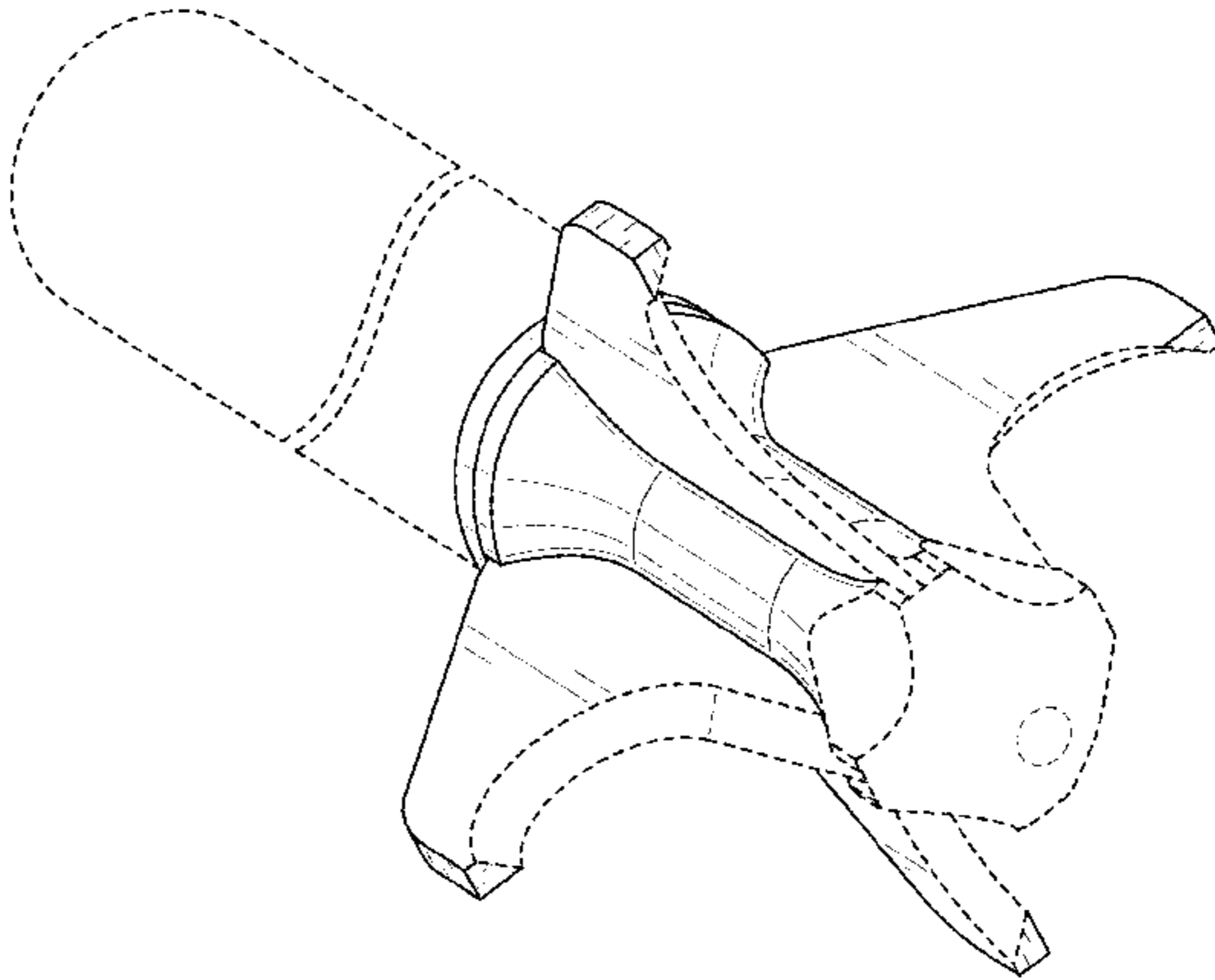
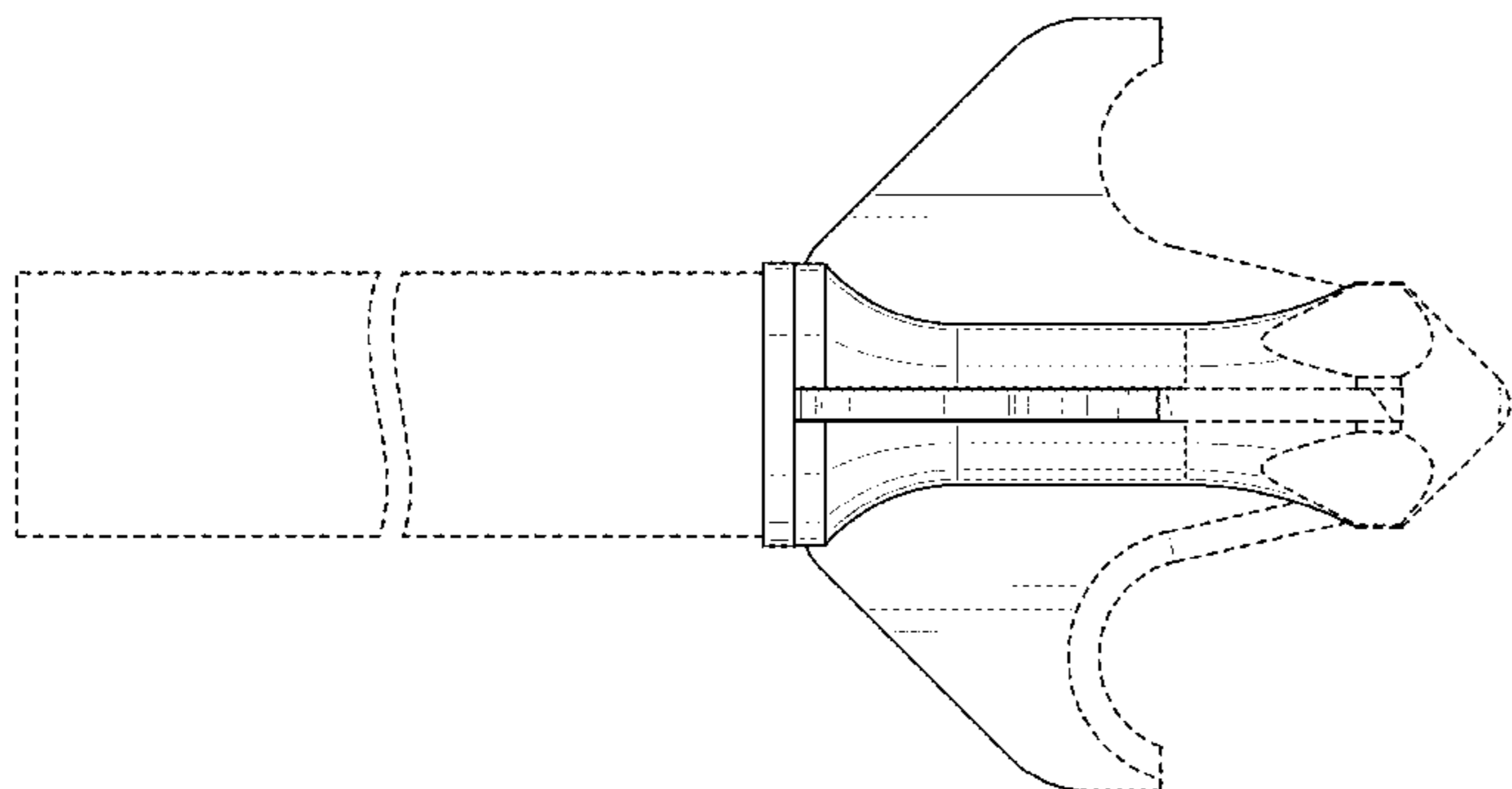
DESCRIPTION

FIG. 1 is a front elevation view of an arrowhead.
 FIG. 2 is a rear elevation view of the arrowhead.
 FIG. 3 is a left side elevation view of the arrowhead.
 FIG. 4 is a right side elevation view of the arrowhead.
 FIG. 5 is a top view of the arrowhead.
 FIG. 6 is a bottom view of the arrowhead.
 FIG. 7 is a left front isometric view of the arrowhead; and,
 FIG. 8 is a left rear isometric view of the arrowhead.
 The broken lines shown in the drawings that are immediately adjacent to the shaded areas and define unshaded areas, represent bounds of the claimed design. All other broken lines are directed to environment. None of the broken lines in the drawings form any part of the claimed design.

1 Claim, 8 Drawing Sheets

(56) **References Cited**
 U.S. PATENT DOCUMENTS

5,931,751 A	8/1999	Cooper	
6,540,628 B1	4/2003	Musacchia, Jr.	
6,758,774 B2	7/2004	Liechty, II	
6,793,596 B1	9/2004	Sullivan et al.	
6,830,523 B1	12/2004	Kuhn	
D531,164 S *	10/2006	Ferstenberg	D14/204
7,314,419 B2	1/2008	Grace et al.	
D610,220 S *	2/2010	Vandewater	D22/107
7,972,230 B2	7/2011	Donahoe	
8,147,360 B2 *	4/2012	Simo	F42B 6/08 30/355
8,801,552 B2 *	8/2014	Miles	F42B 6/08 473/583
8,863,630 B2	10/2014	Erlendsson	



(56)

References Cited

U.S. PATENT DOCUMENTS

2003/0132846 A1* 7/2003 Hilliard G01S 13/758
340/573.2
2006/0276276 A1 12/2006 Polando
2007/0123378 A1 5/2007 Polando
2008/0254925 A1* 10/2008 Odabachian F42B 6/08
473/584
2013/0072331 A1* 3/2013 Goodwin F42B 6/08
473/570

OTHER PUBLICATIONS

Slick Trick Rip Trick 2016 ATA Show, Jan. 6, 2016, [online], [site visited Dec. 27, 2016]. Retrieved from <url:https://www.youtube.com/watch?v=qPzj7Pi3fW4>.*

Pope and Young Club/St. Charles Museum, Jul. 9, 2014, retrieved from the internet: <https://www.youtube.com/watch?v=ticw9Q5Y_rM>, 4 pages.

The Great Northwest Trading Company, Traditional Vintage & Antique Broadheads, on or before Dec. 31, 2005, retrieved from the Internet: <http://www.gnwtc.com/ben-pearson-blades.htm>, 46 pages.

* cited by examiner

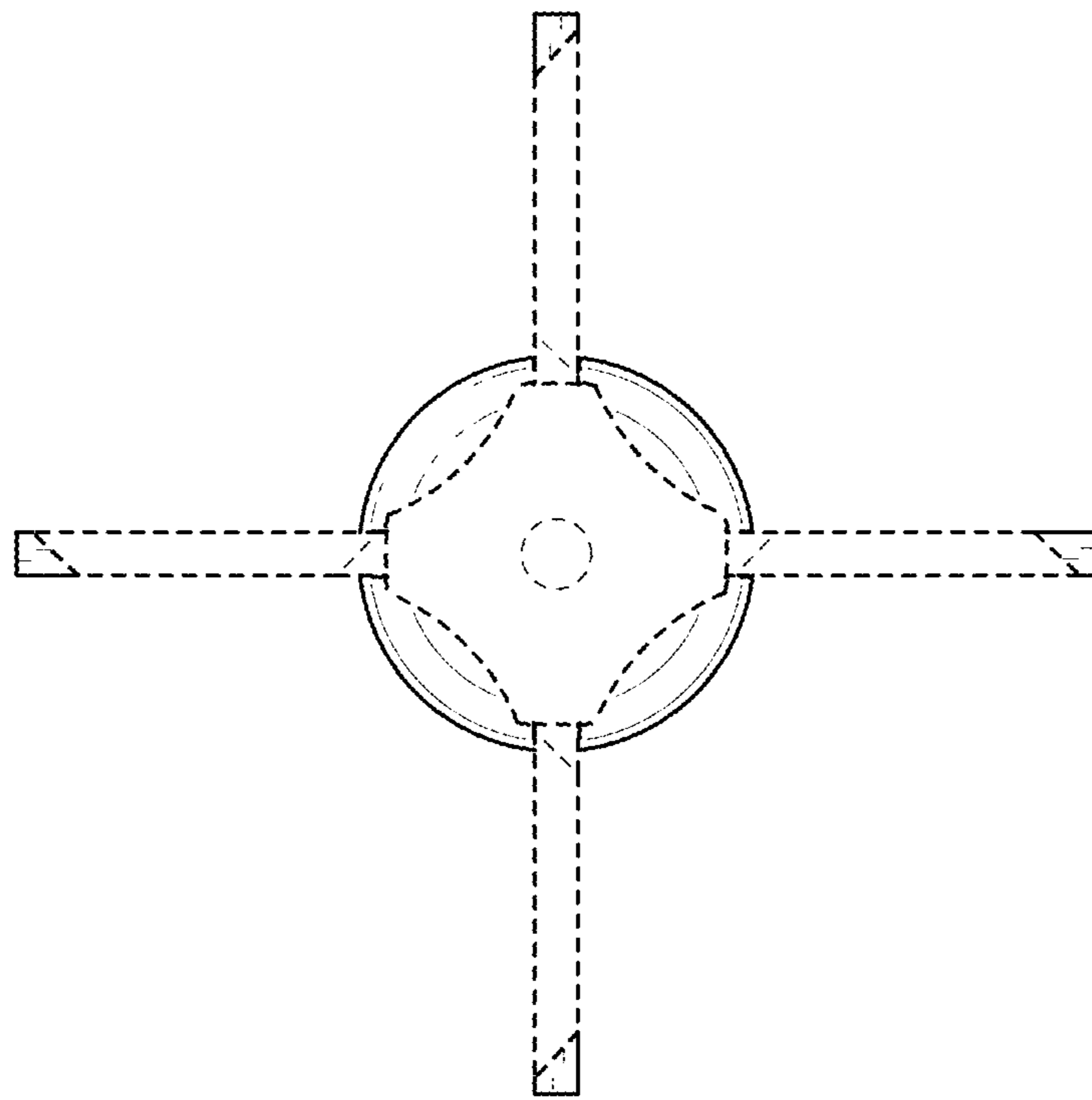


FIG. 1

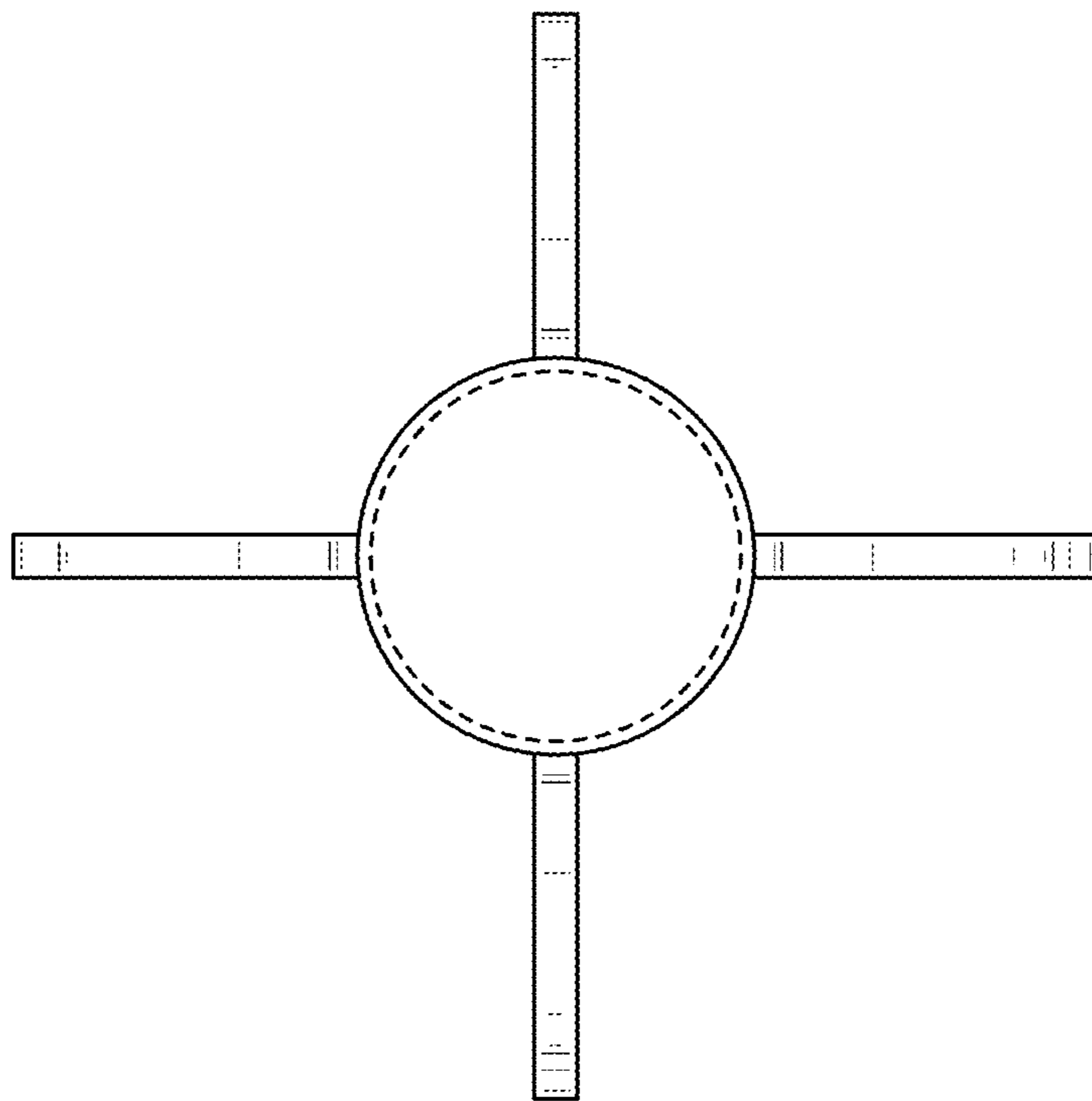


FIG. 2

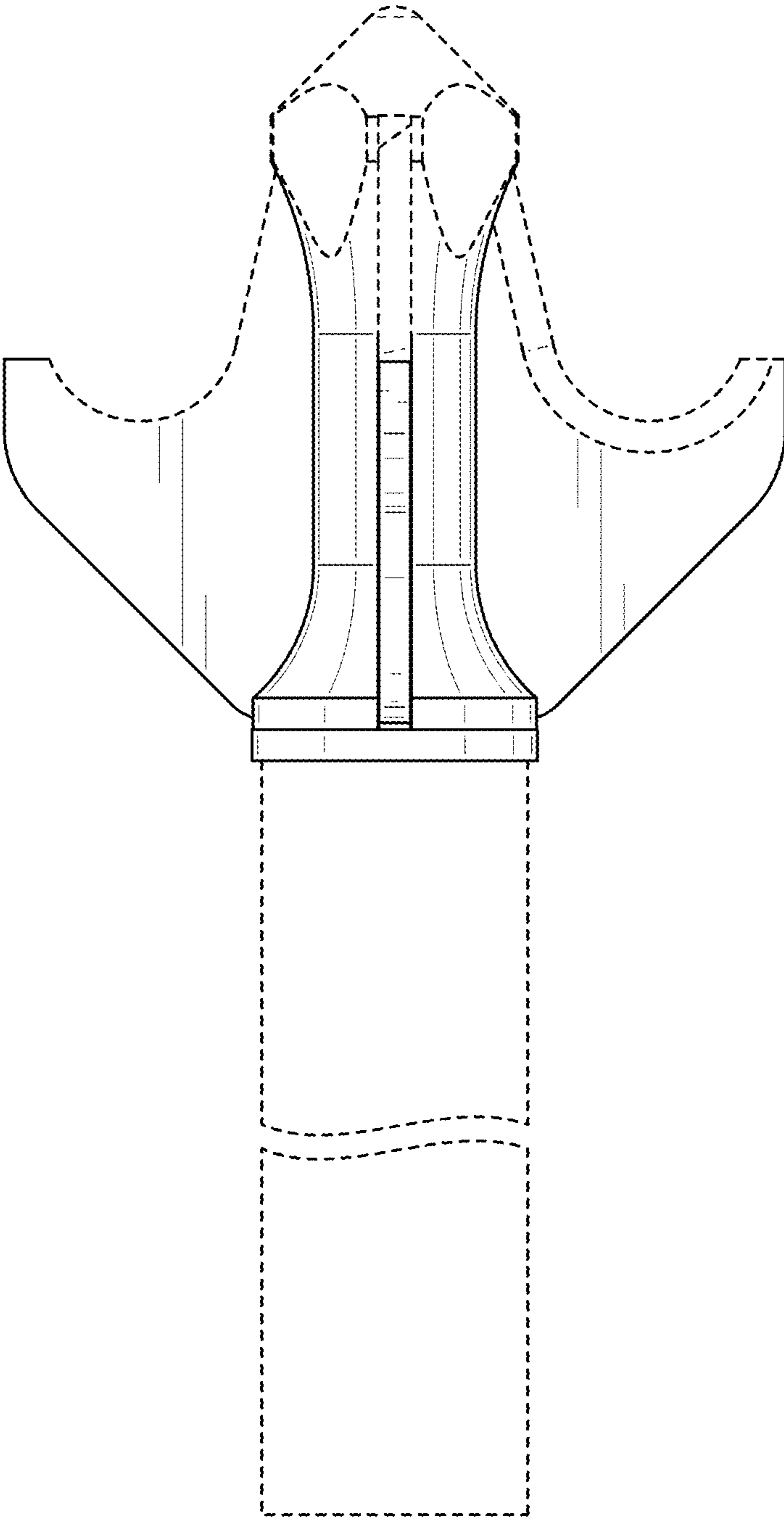


FIG. 3

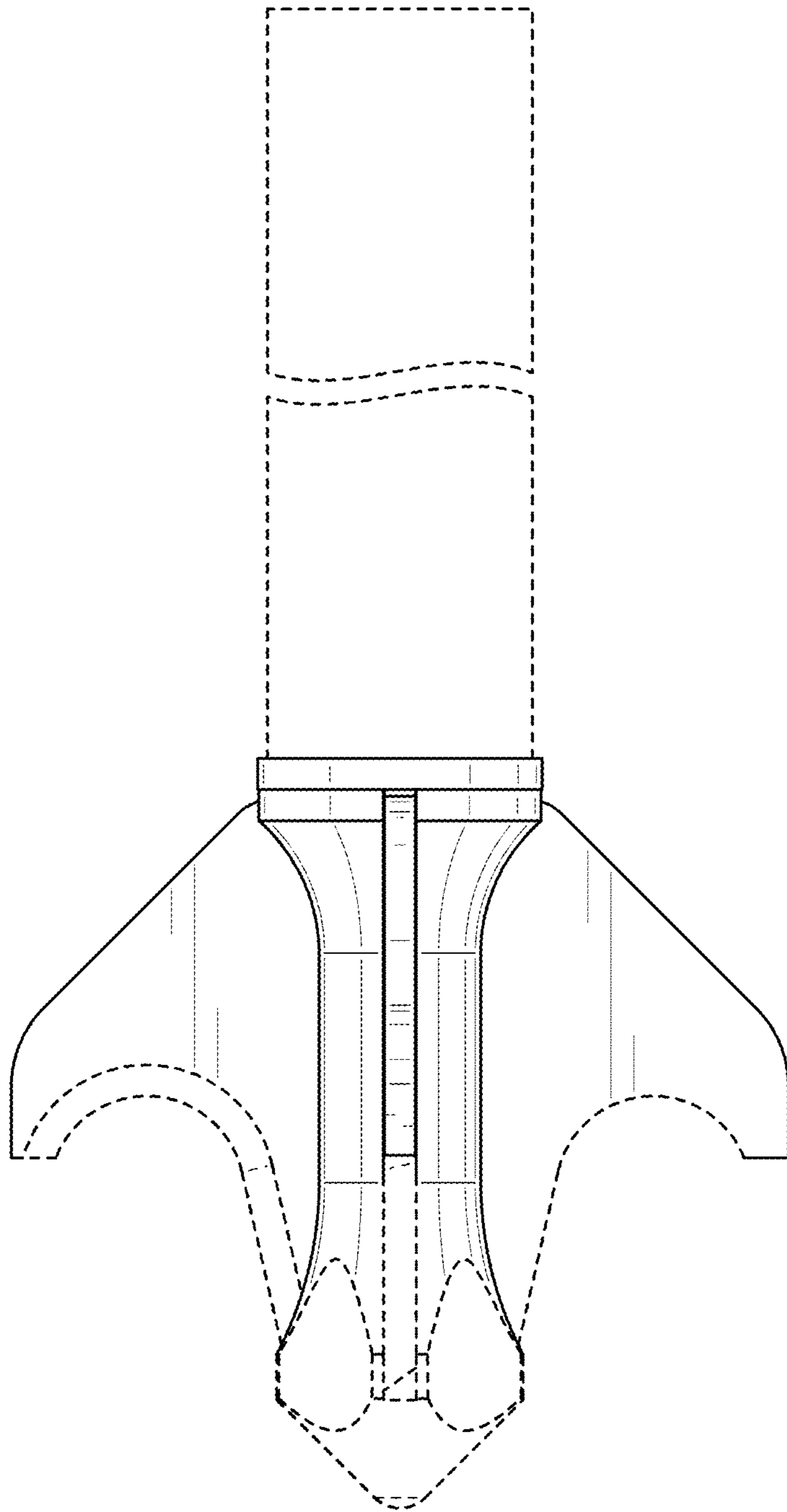


FIG. 4

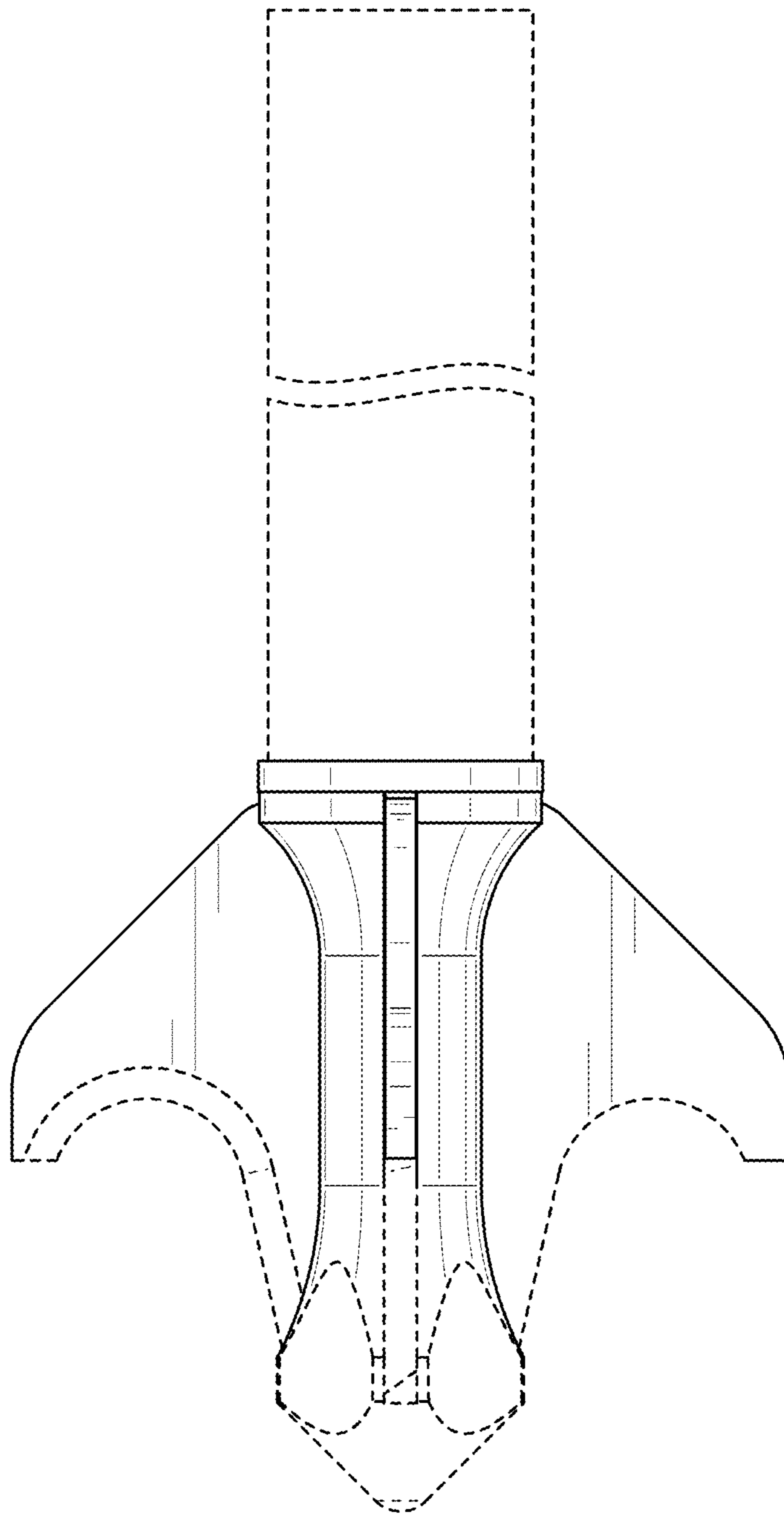


FIG. 5

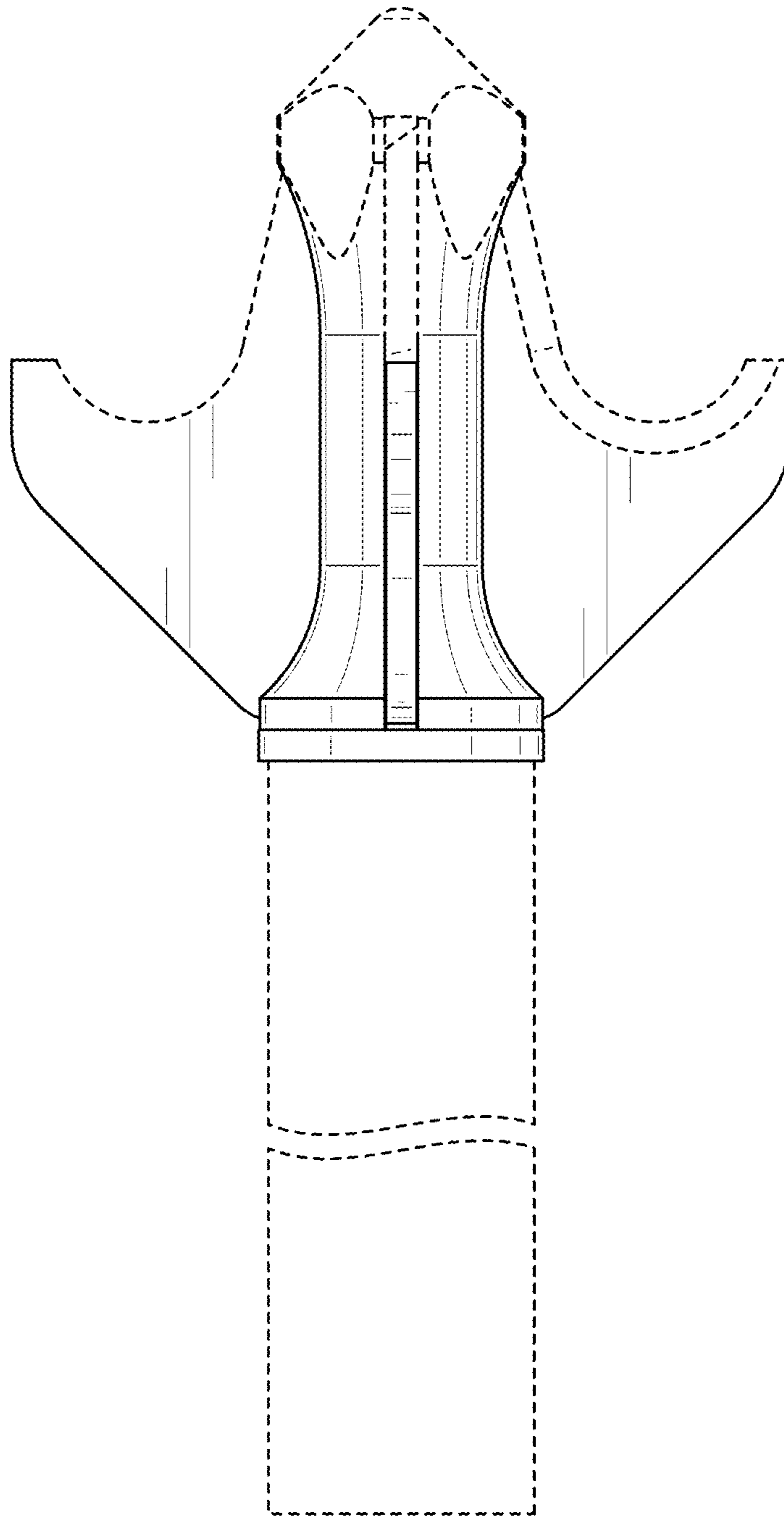


FIG. 6

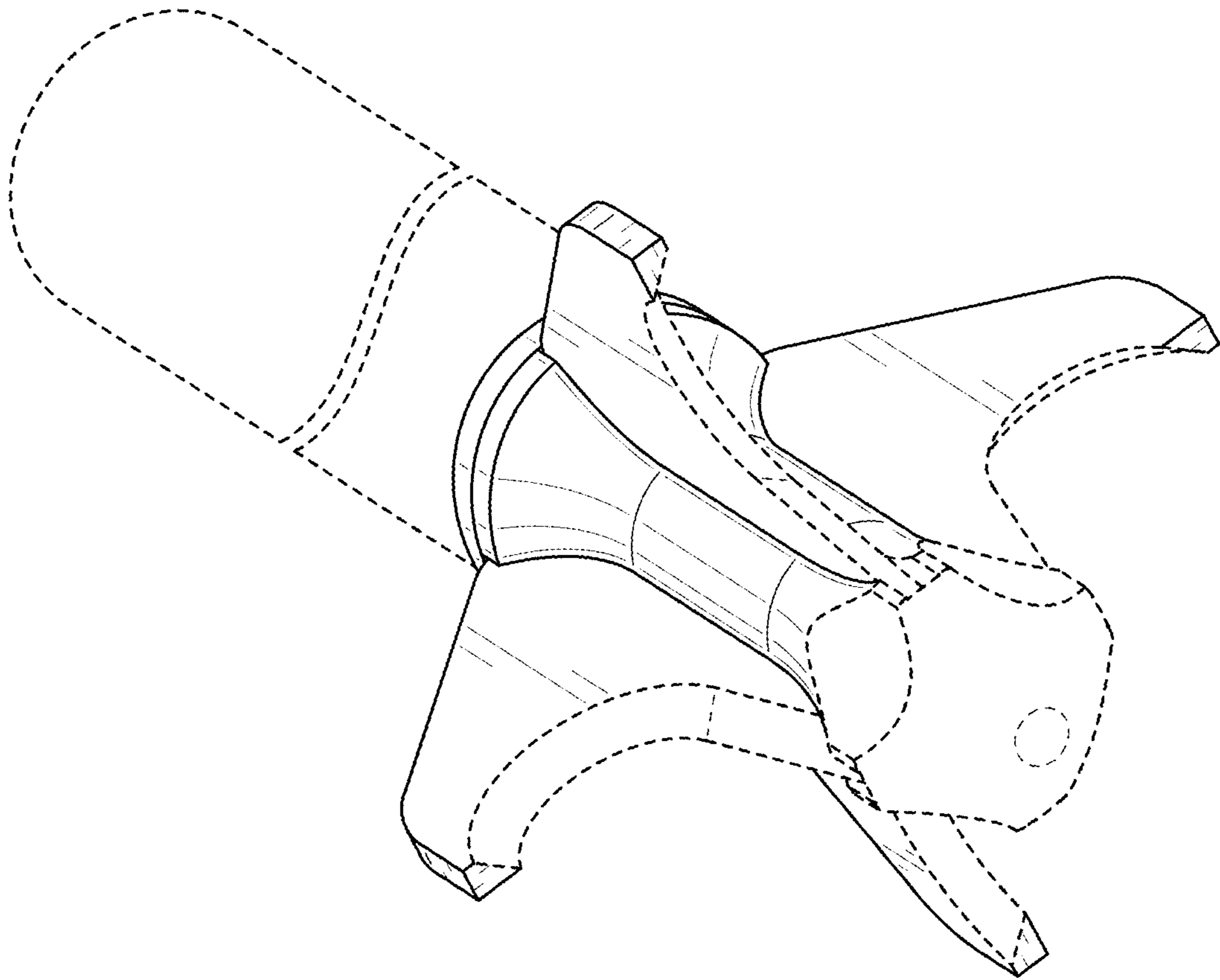


FIG. 7

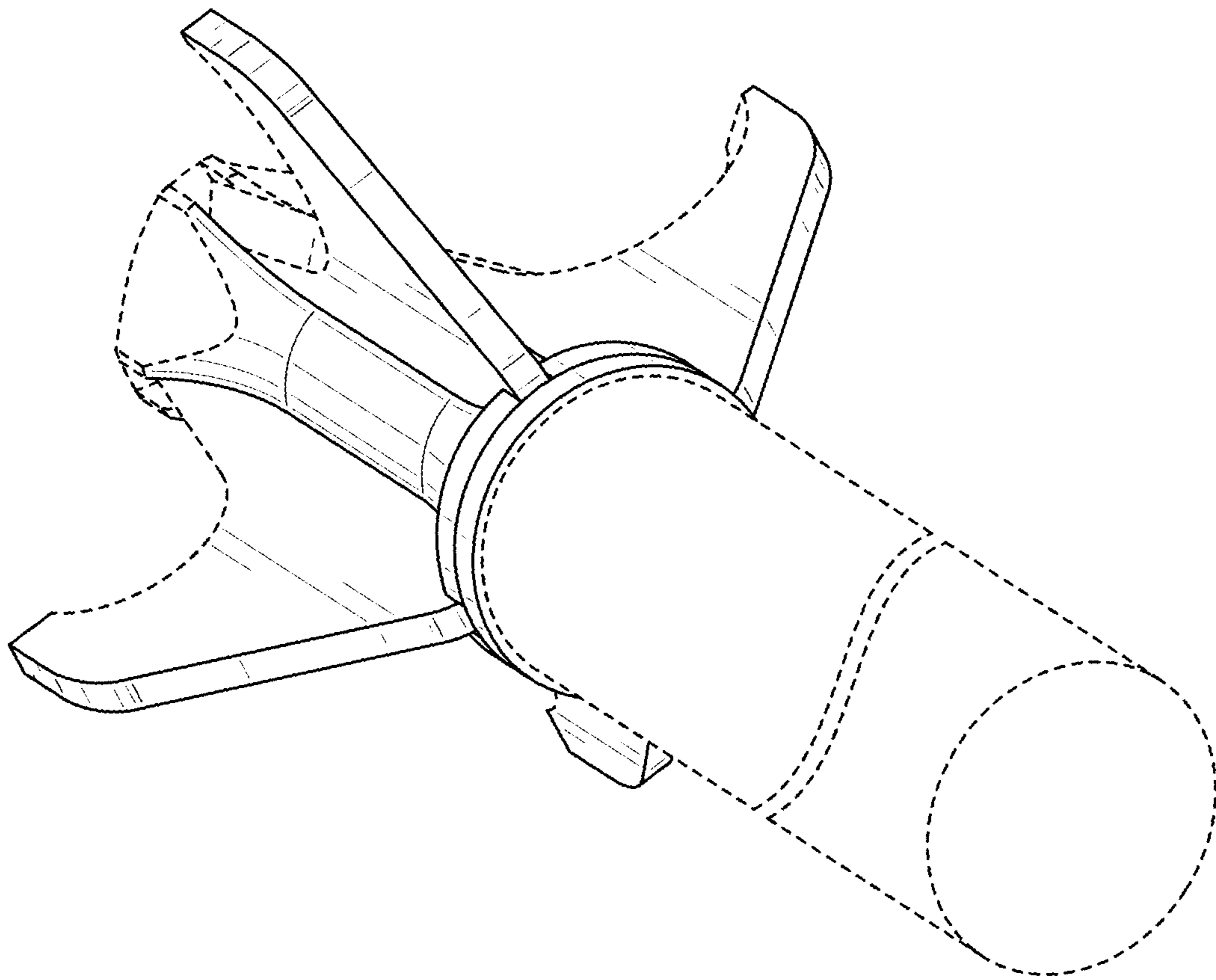


FIG. 8