



US00D800864S

(12) **United States Design Patent**
Hartley

(10) **Patent No.:** **US D800,864 S**

(45) **Date of Patent:** **** Oct. 24, 2017**

(54) **LASER DEVICE**

(71) Applicant: **Crimson Trace Corporation,**
Wilsonville, OR (US)

(72) Inventor: **Scott C. Hartley,** Portland, OR (US)

(73) Assignee: **Crimson Trace Corporation,**
Wilsonville, OR (US)

(**) Term: **15 Years**

(21) Appl. No.: **29/572,587**

(22) Filed: **Jul. 28, 2016**

(51) **LOC (10) Cl.** **22-01**

(52) **U.S. Cl.**
USPC **D22/109**

(58) **Field of Classification Search**
USPC D22/108–111, 199; D16/130, 132, 133,
D16/134, 330; 42/104, 105, 111–113,
42/116, 119, 120, 122, 124–129,
42/133–140, 141–148; 89/111–113;
33/227, 229; 359/359, 399, 744, 823
CPC ... F41G 1/16; F41G 1/06; F41G 1/065; F41G
1/08; F41G 1/10; F41G 1/12; F41G 1/14;
F41G 1/30; F41G 1/32; F41G 1/38; F41G
1/40; F41G 1/42; F41G 1/44; F41G 1/46;
F41G 1/383; F41G 1/387; F41G 1/393;
F41G 3/00; F41G 3/005; F41G 3/02;
F41G 3/04; F41G 3/06; F41G 3/14; F41G
11/002; F41G 11/003; F41G 11/004;
F41G 11/005; G02B 23/20

See application file for complete search history.

(56) **References Cited**

U.S. PATENT DOCUMENTS

D568,508 S * 5/2008 Howe D26/38
D576,188 S * 9/2008 Murakami D16/202
D578,599 S * 10/2008 Cheng D16/130
D586,874 S * 2/2009 Moody D22/109
D599,391 S * 9/2009 Ishibashi D16/202

D612,756 S * 3/2010 D'Amelio D10/70
D641,826 S * 7/2011 Larsson D22/109
D647,159 S * 10/2011 Kobayashi D22/109
D651,628 S * 1/2012 Wang D16/132
D672,005 S * 12/2012 Hedeem D22/109
D679,304 S * 4/2013 Delaney D16/133
D679,775 S * 4/2013 Cheng D22/109
D682,977 S * 5/2013 Thummel D10/70
D696,377 S * 12/2013 Thummel D22/109

(Continued)

OTHER PUBLICATIONS

LNQ-100G LINQ Wireless Green Laser Sight & Tactical Light for AR-Type Rifles, CrimsonTrace.com, [online], [site visited Jun. 9, 2017]. URL: <https://www.crimsontrace.com/products/type/linq/01-5560>.*

(Continued)

Primary Examiner — T. Chase Nelson

Assistant Examiner — Jonathan J. Han

(74) *Attorney, Agent, or Firm* — Schwabe, Williamson & Wyatt, P.C.

(57) **CLAIM**

I claim an ornamental design for a laser device, as shown and described.

DESCRIPTION

FIG. 1 is a perspective view of a laser device, showing our new design;

FIG. 2 is a front view thereof;

FIG. 3 is a rear view thereof;

FIG. 4 is a right side view thereof;

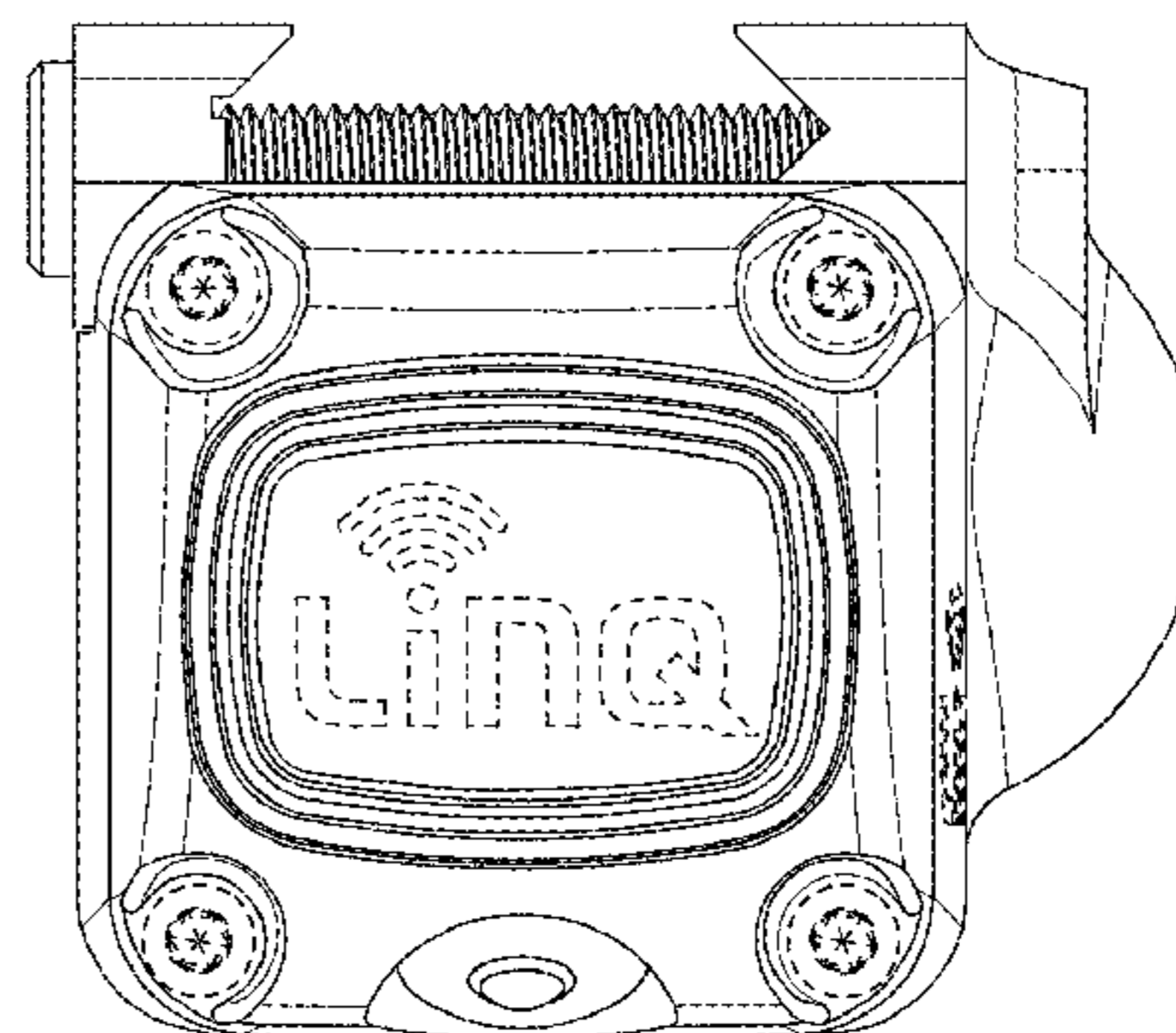
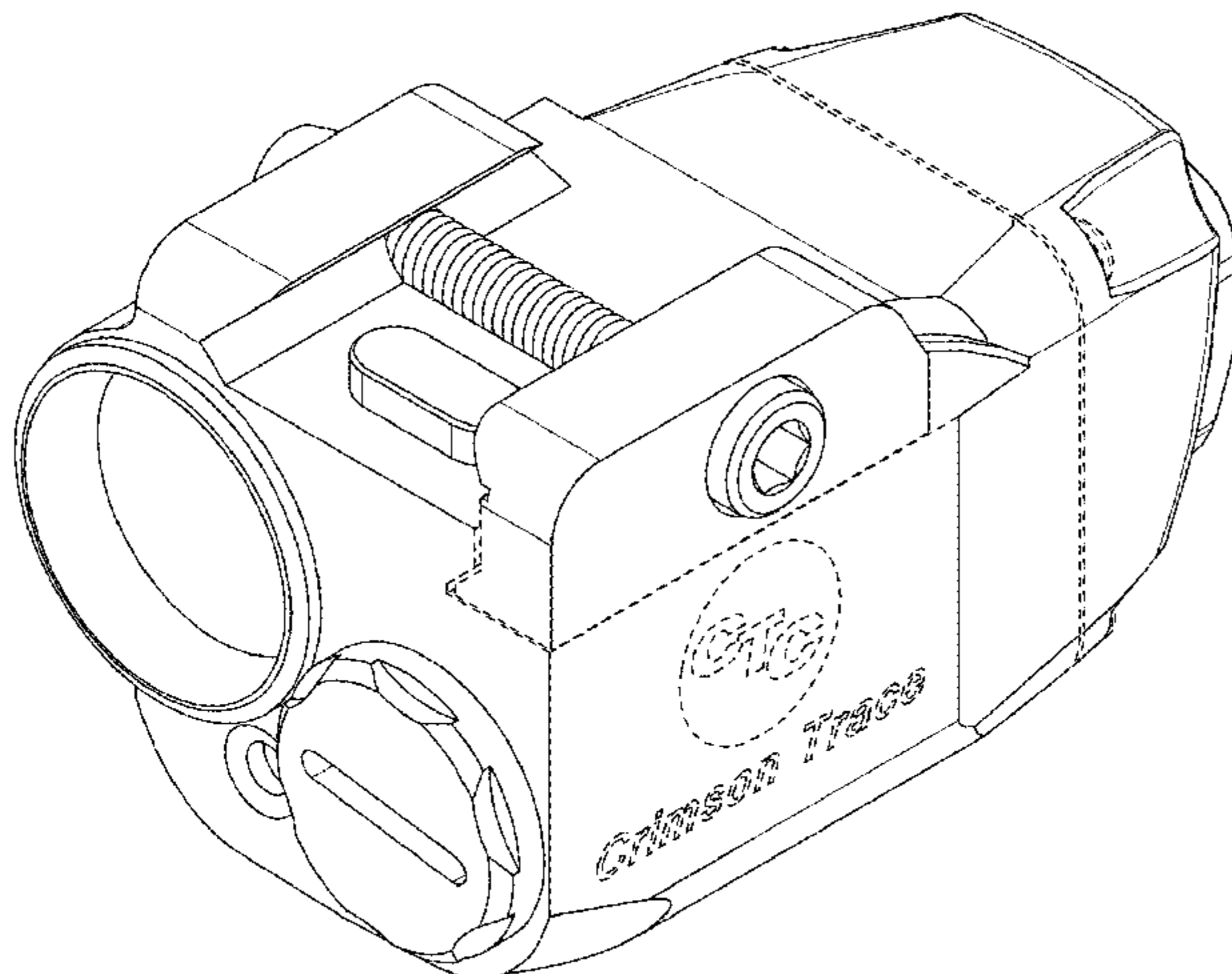
FIG. 5 is a left side view thereof;

FIG. 6 is a top view thereof; and,

FIG. 7 is a bottom view thereof.

The dashed lines are included for illustrating interior and/or environmental structures and form no part of the claimed design.

1 Claim, 7 Drawing Sheets



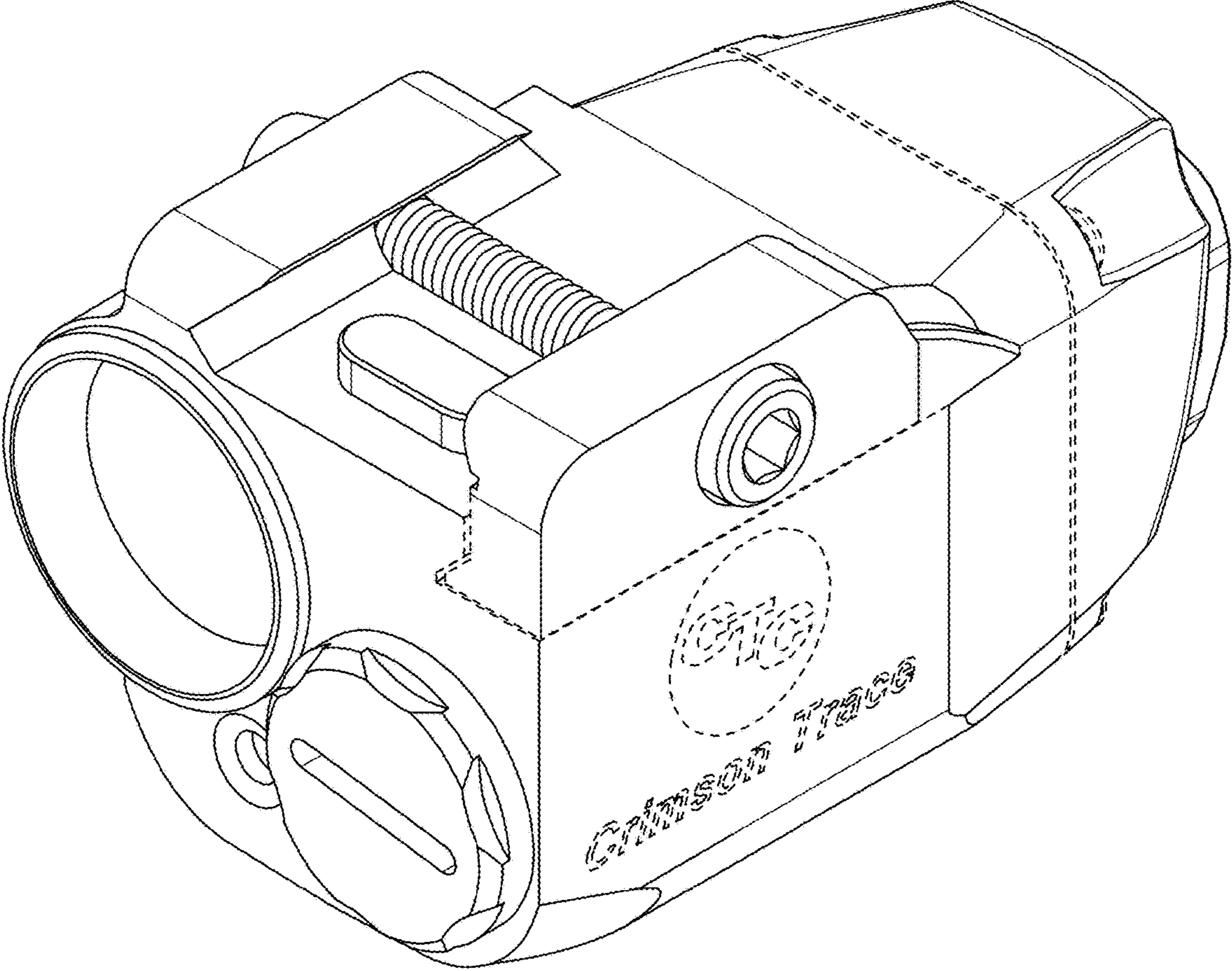


FIG. 1

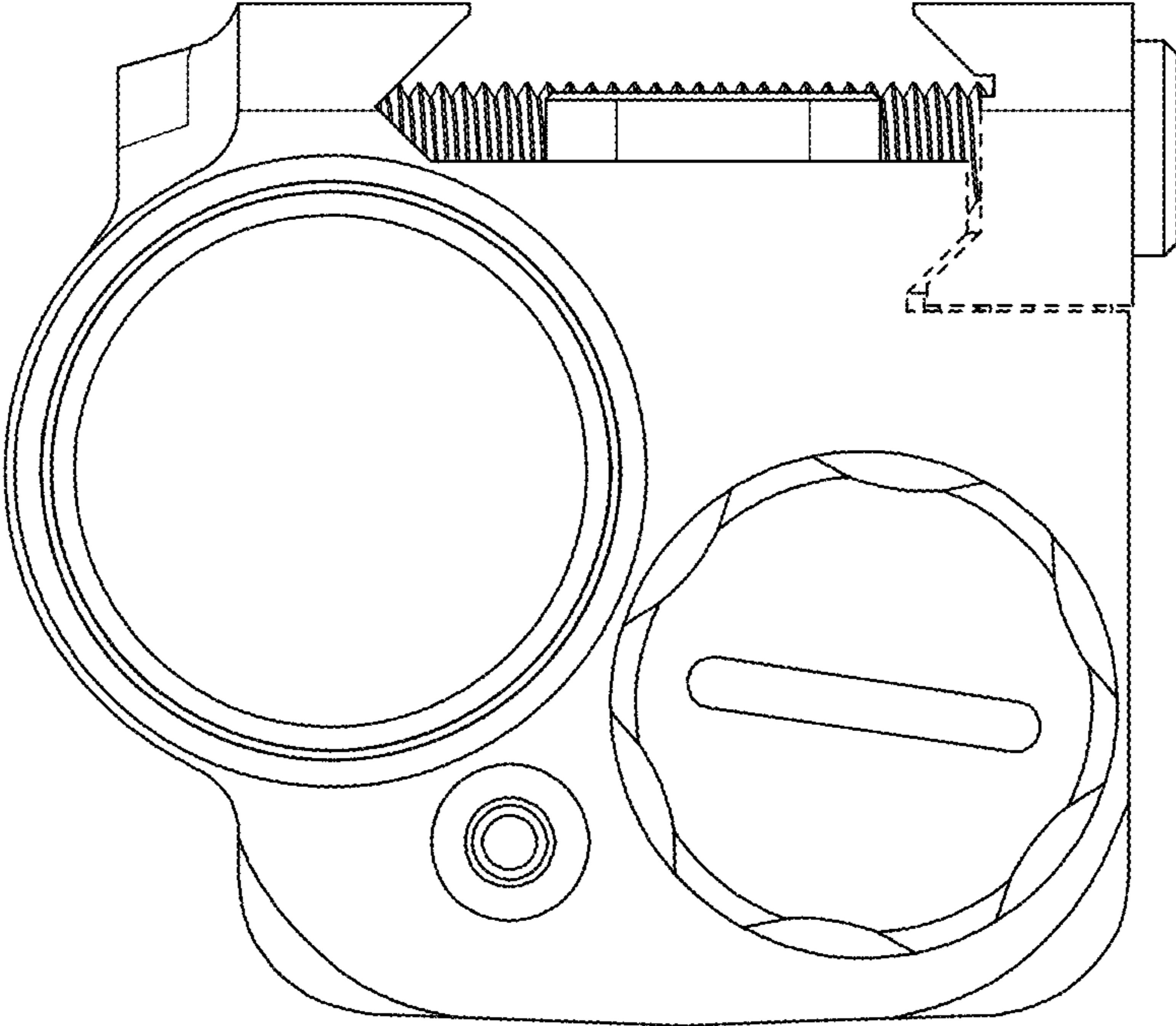


FIG. 2

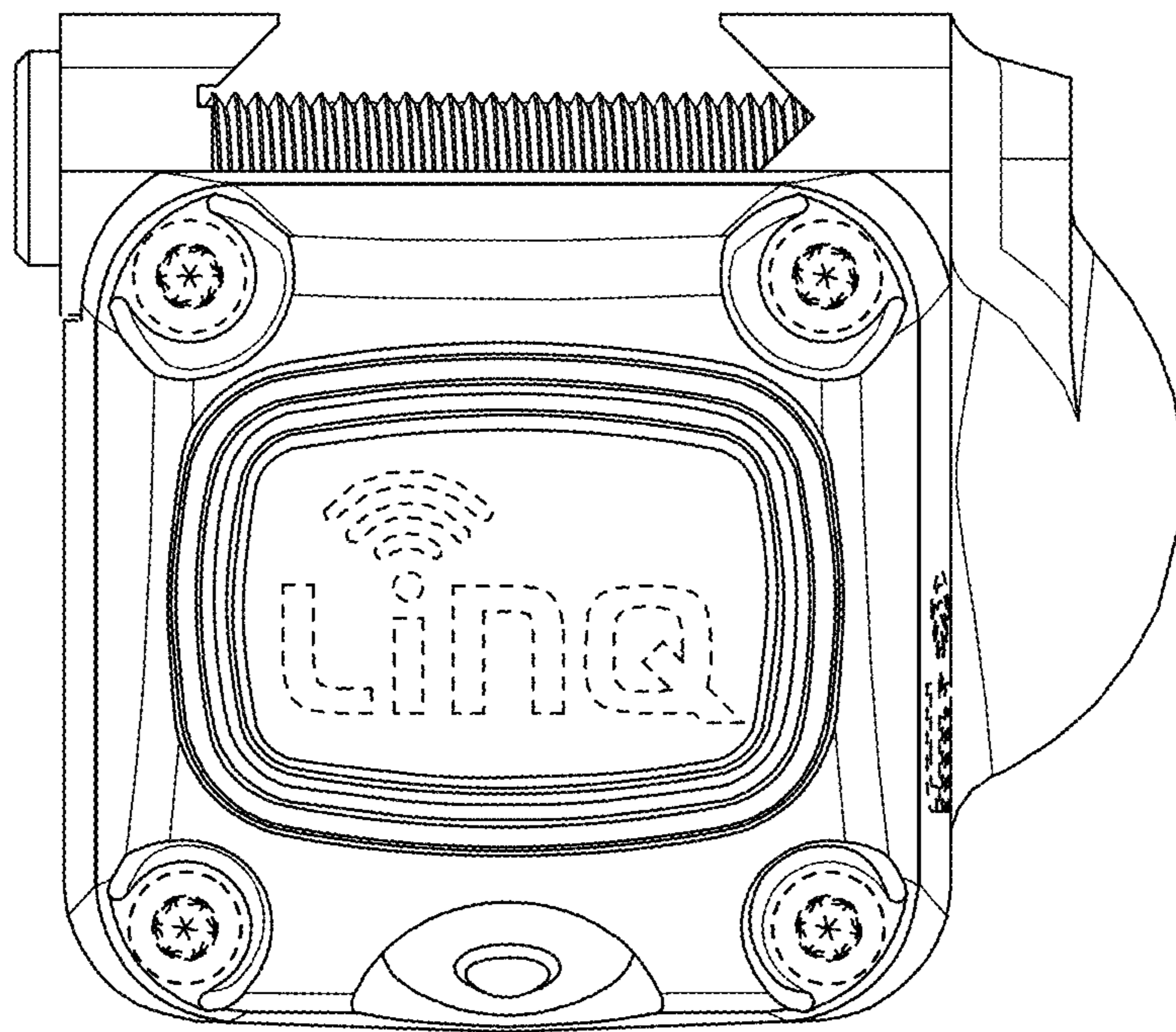


FIG. 3

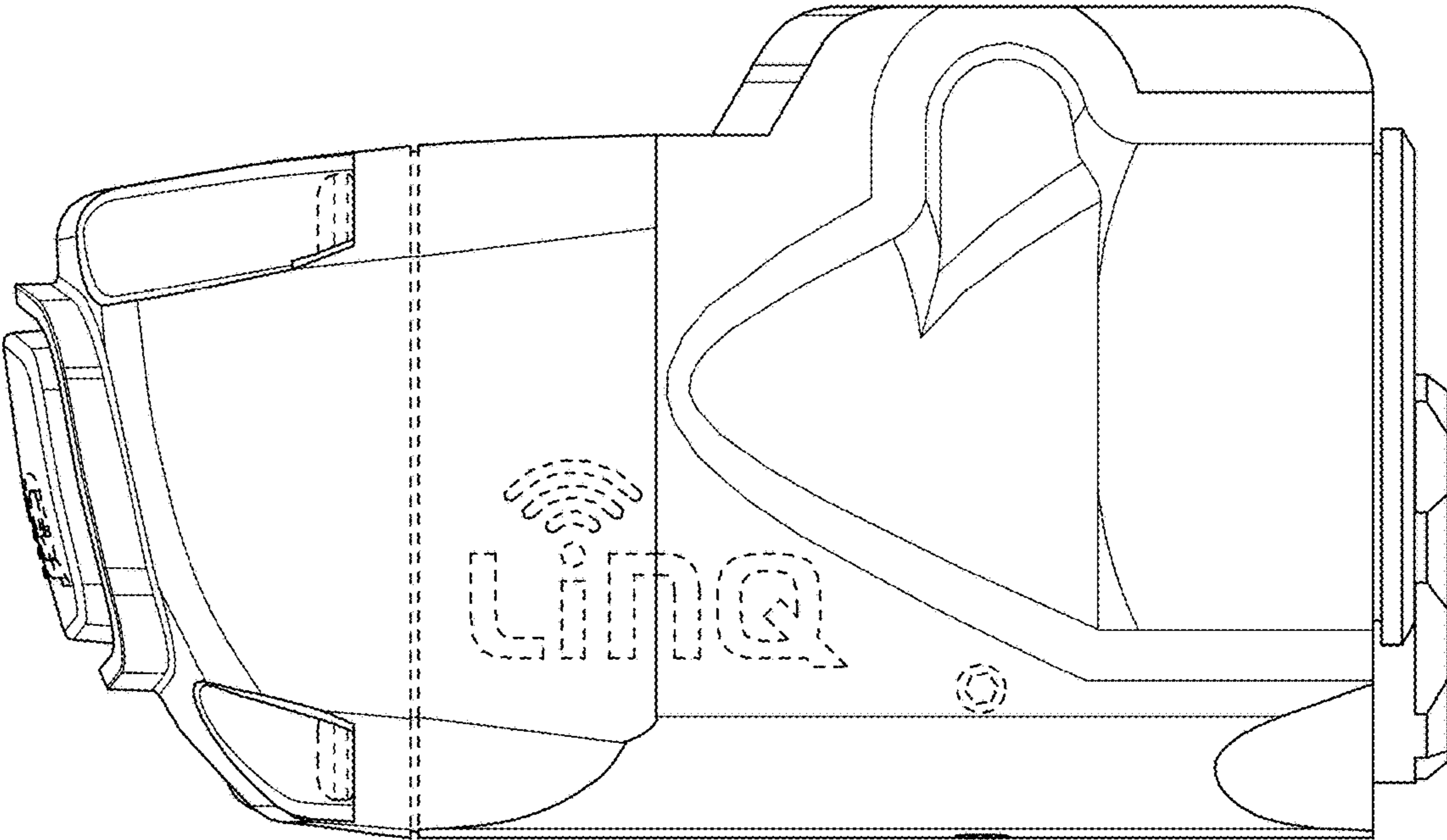


FIG. 4

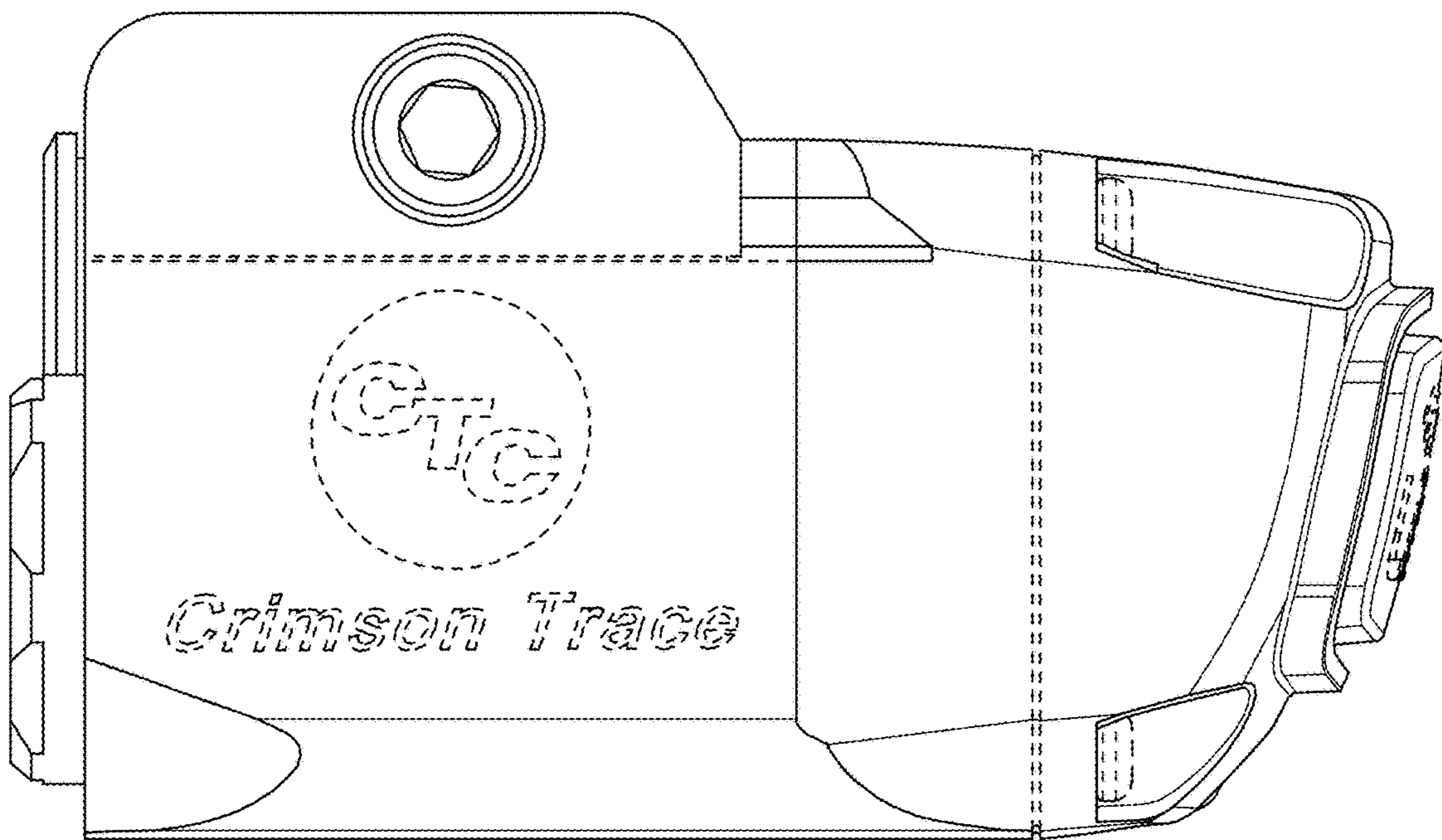


FIG. 5

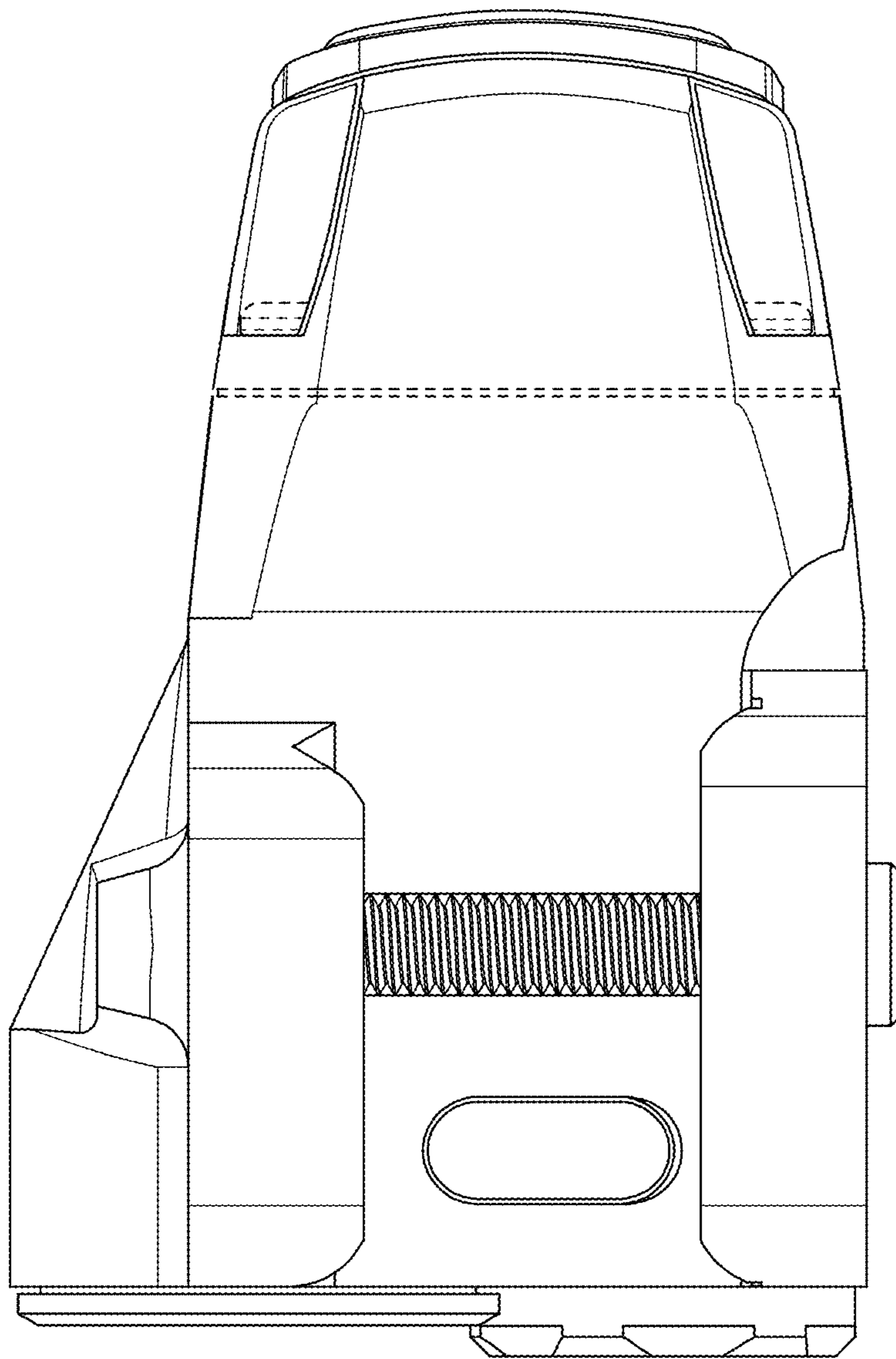


FIG. 6

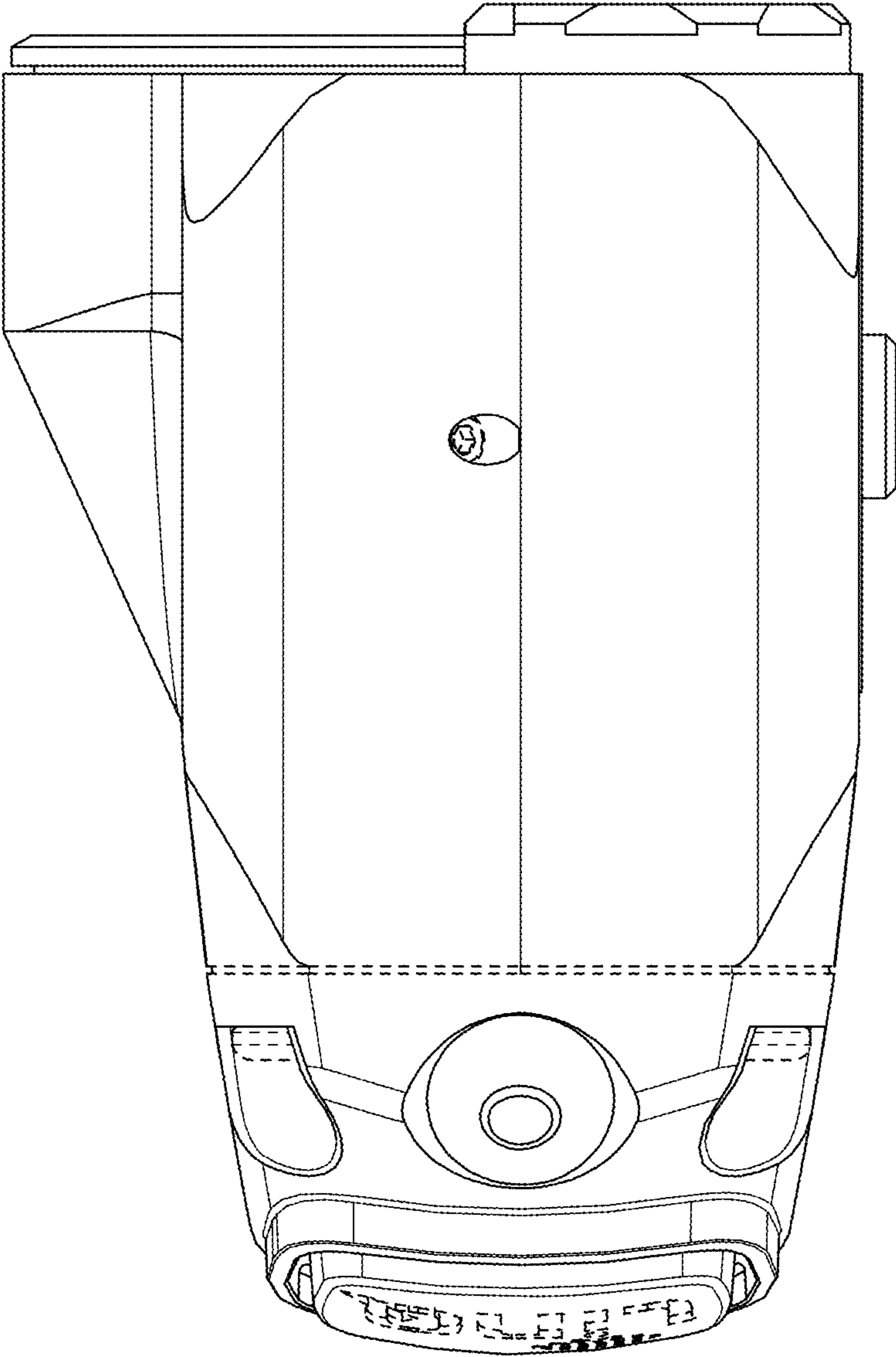


FIG. 7