



US00D800862S

(12) **United States Design Patent** (10) **Patent No.:** **US D800,862 S**
Easler (45) **Date of Patent:** **** Oct. 24, 2017**

(54) **DOUBLE FERRIS WHEEL**
(71) Applicant: **Ted Malone Easler**, Boiling Springs, SC (US)
(72) Inventor: **Ted Malone Easler**, Boiling Springs, SC (US)
(**) Term: **15 Years**
(21) Appl. No.: **29/571,113**
(22) Filed: **Jul. 14, 2016**
(51) **LOC (10) Cl.** **21-03**
(52) **U.S. Cl.**
USPC **D21/829**
(58) **Field of Classification Search**
USPC D21/811, 814, 828-833
CPC A63G 27/00; A63G 27/02; A63G 27/04;
A63G 27/06; A63G 27/08
See application file for complete search history.

D188,947 S * 10/1960 Simpkins D21/829
D199,743 S * 12/1964 McDonald D21/530
D200,716 S * 3/1965 Boyd D21/829
4,815,728 A * 3/1989 O'Keefe A63G 27/00
472/3
D587,777 S * 3/2009 Chu D21/829
D731,019 S * 6/2015 Fabbri D21/830
D731,020 S * 6/2015 Fabbri D21/830
D731,021 S * 6/2015 Fabbri D21/830
D733,826 S * 7/2015 Fabbri D21/830
D788,248 S * 5/2017 Fabbri D21/830

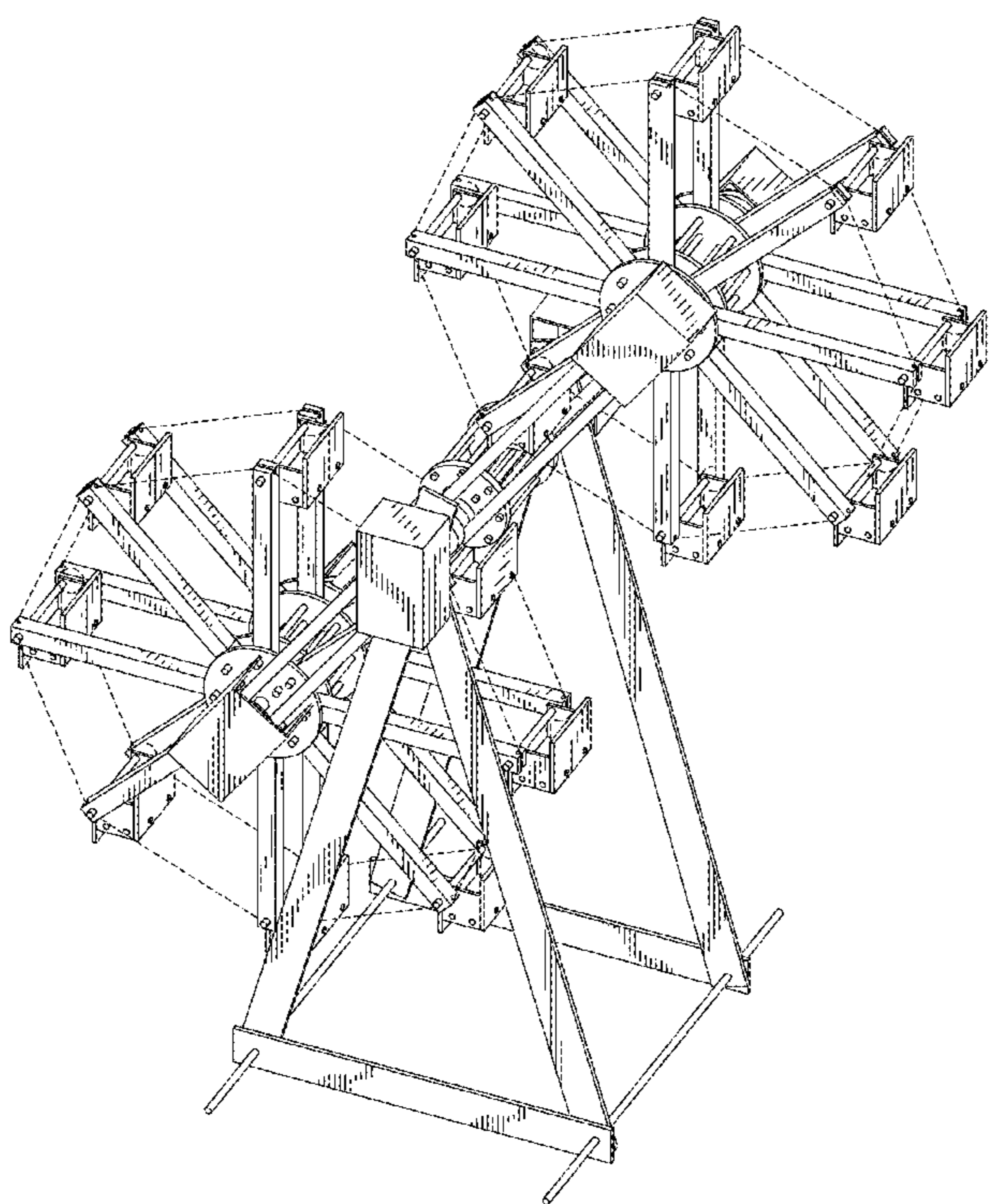
* cited by examiner
Primary Examiner — Mitchell Siegel
(74) *Attorney, Agent, or Firm* — Dunlap Bennett & Ludwig PLLC; Brendan E. Squire

(57) **CLAIM**
The ornamental design for a double Ferris wheel, as shown and described.

DESCRIPTION
FIG. 1 is a perspective view of the double Ferris wheel showing my new design;
FIG. 2 is a right side view thereof; the left side being a mirror image thereof;
FIG. 3 is a front view thereof;
FIG. 4 is a rear view thereof;
FIG. 5 is a bottom view thereof; and,
FIG. 6 is a top view thereof.
The broken lines shown in the drawings illustrate portions of the double Ferris wheel that form no part of the claimed design.

(56) **References Cited**
U.S. PATENT DOCUMENTS
853,155 A * 5/1907 Boardman A63G 27/02
472/46
900,820 A * 10/1908 Becker A63G 27/02
472/46
2,101,274 A * 12/1937 Stanzel A63G 27/02
434/55
2,864,614 A * 12/1958 Castille A63G 27/00
472/30
2,934,341 A * 4/1960 Shepherd A63G 27/02
472/3

1 Claim, 4 Drawing Sheets



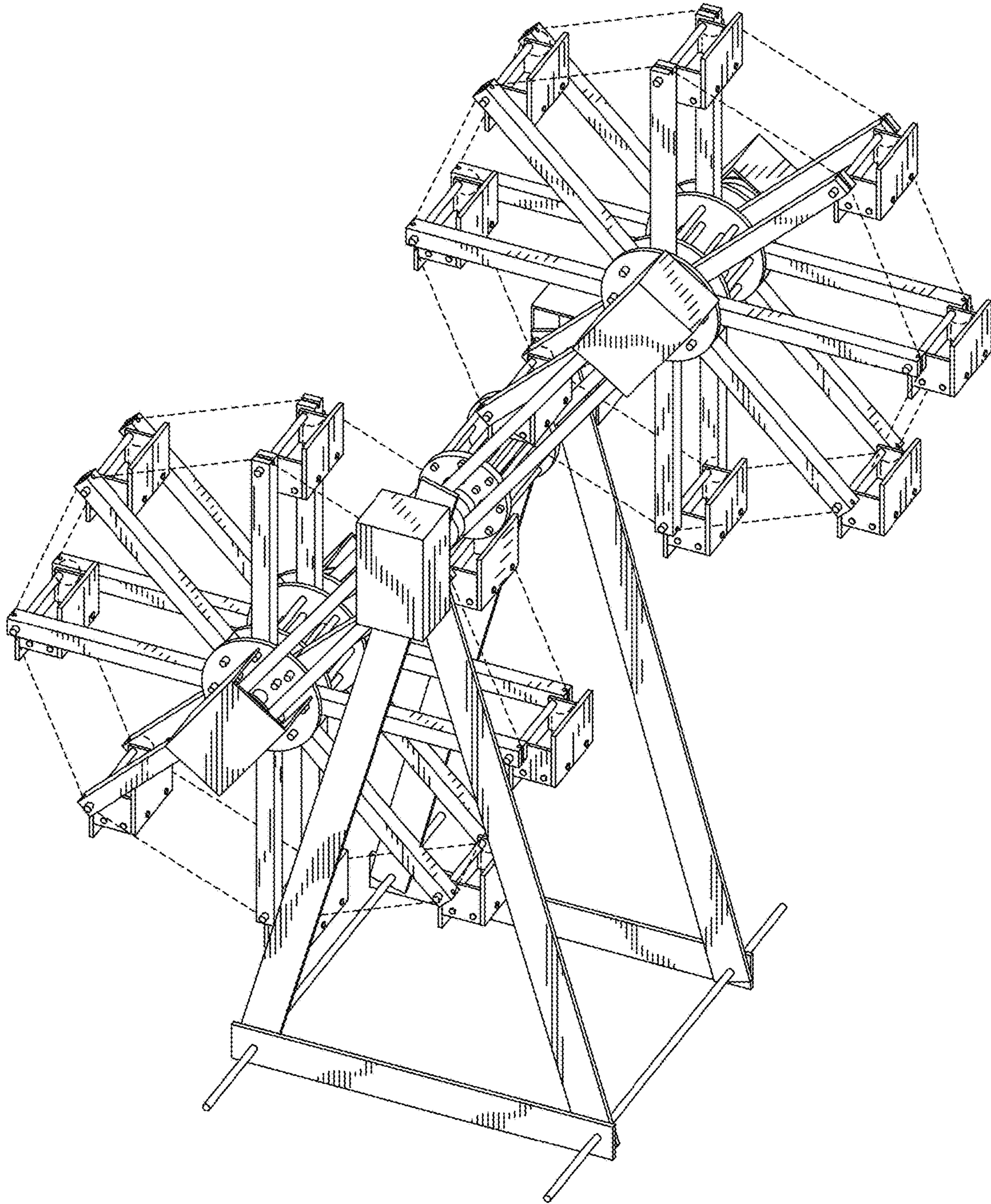


FIG. 1

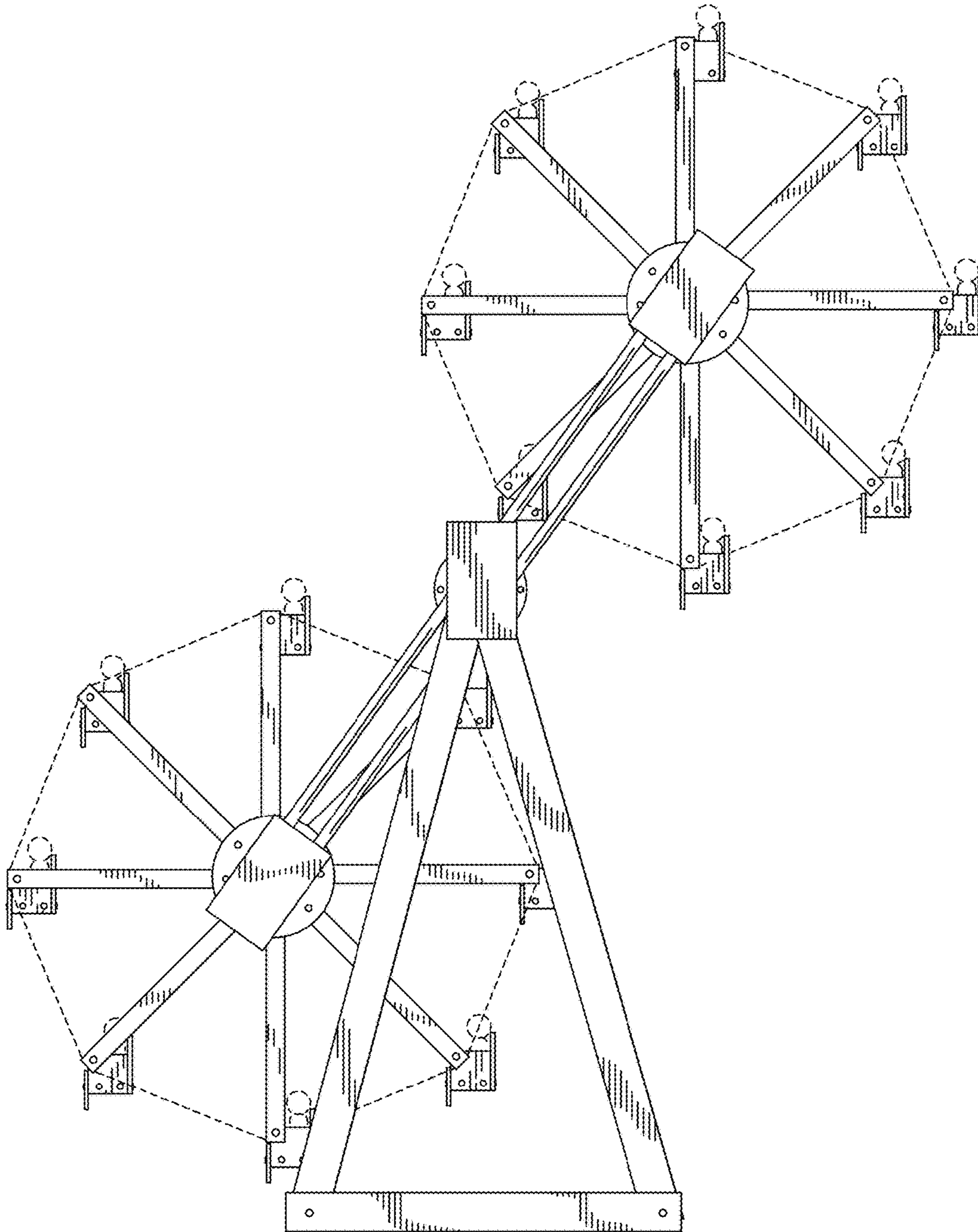


FIG.2

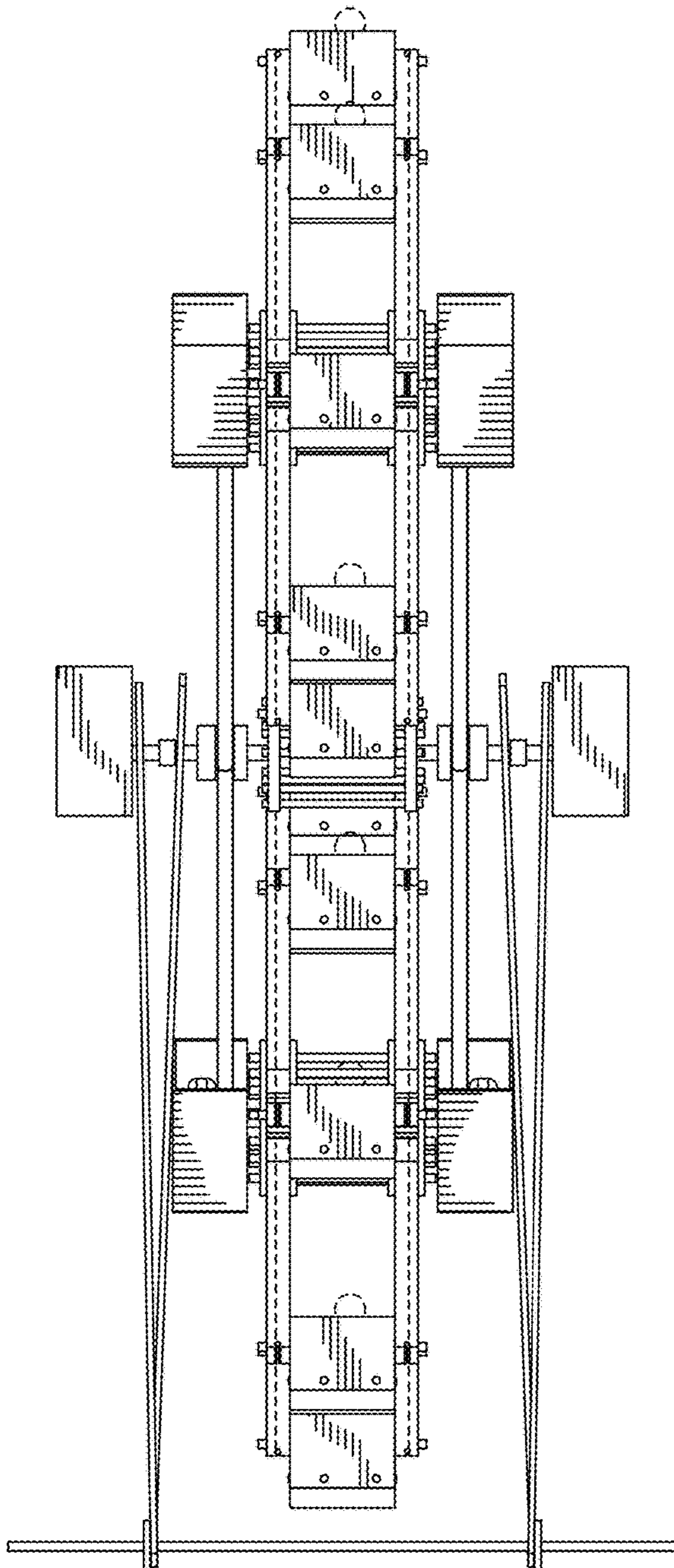


FIG. 3

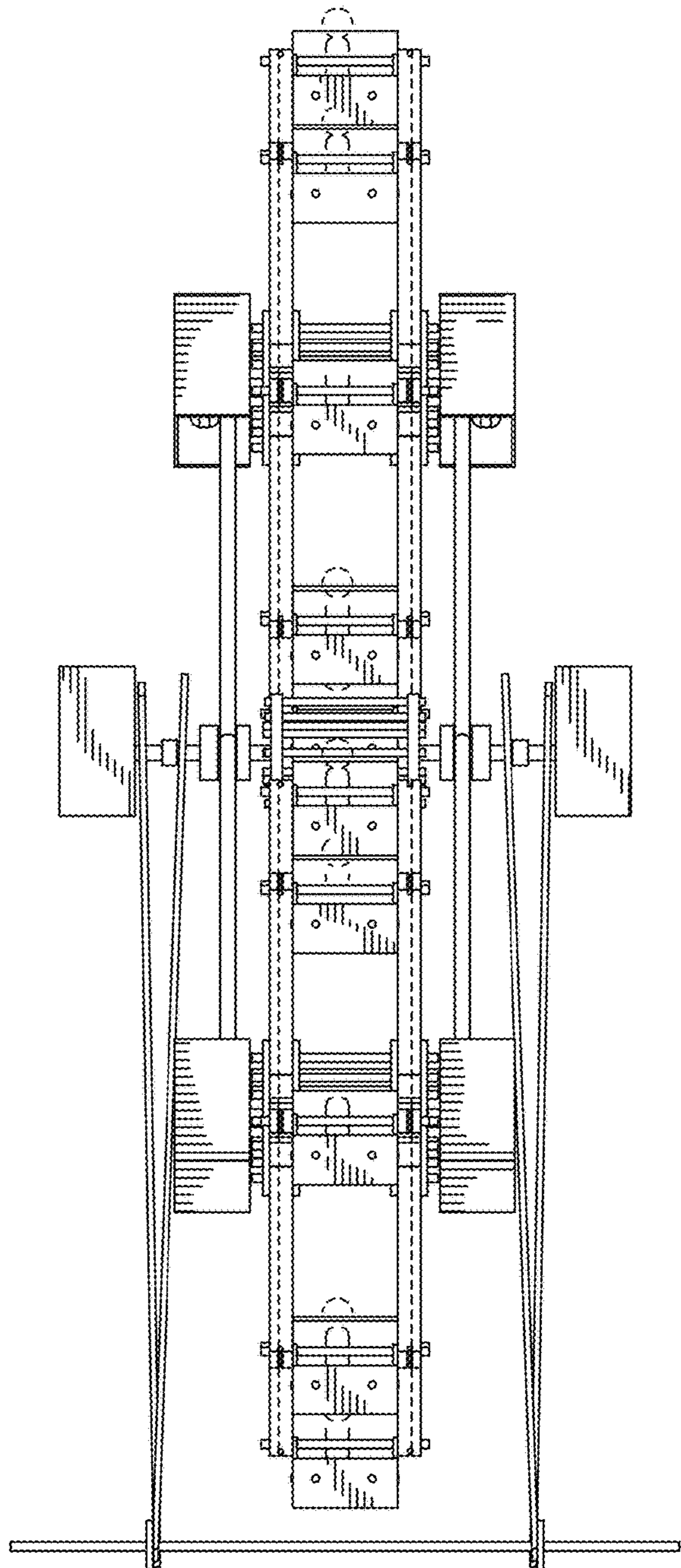


FIG. 4

