



US00D800860S

(12) **United States Design Patent**
Doherty

(10) **Patent No.:** **US D800,860 S**

(45) **Date of Patent:** **** Oct. 24, 2017**

(54) **BUOYANT PLATFORM**

(71) Applicant: **David Scott Doherty**, Peterborough,
NH (US)

(72) Inventor: **David Scott Doherty**, Peterborough,
NH (US)

(**) Term: **15 Years**

(21) Appl. No.: **29/578,234**

(22) Filed: **Sep. 20, 2016**

Related U.S. Application Data

(63) Continuation of application No. 14/706,492, filed on
May 7, 2015, now abandoned.

(51) **LOC (10) Cl.** **21-02**

(52) **U.S. Cl.**
USPC **D21/803**

(58) **Field of Classification Search**
USPC D21/769–770, 801, 803, 809; D12/5, 6,
D12/316; D6/392, 595, 596, 601, 604,
D6/605

CPC B63B 35/58; B63B 35/73; B63B 35/76;
B63B 35/79; B63B 35/83; B63B 35/02;
B63B 35/56; B63B 35/60; A63G 31/00;
A63H 23/10

See application file for complete search history.

(56) **References Cited**

U.S. PATENT DOCUMENTS

4,986,786 A * 1/1991 Helt B63C 9/093
441/120
D344,120 S * 2/1994 Helt D21/804

5,685,753 A * 11/1997 Canela B63B 35/74
441/129

5,791,958 A * 8/1998 Yeung B63B 35/74
441/130

5,921,898 A * 7/1999 McDonald A61H 37/005
441/108

* cited by examiner

Primary Examiner — Zenia Bennett

(74) *Attorney, Agent, or Firm* — Dunlap Bennett &
Ludwig PLLC

(57) **CLAIM**

The ornamental design for a buoyant platform, as shown and
described.

DESCRIPTION

FIG. 1 is a top front perspective view of a buoyant platform;
FIG. 2 is a top plan view thereof, the bottom plan view being
a mirror image thereof;

FIG. 3 is a front elevation view thereof;

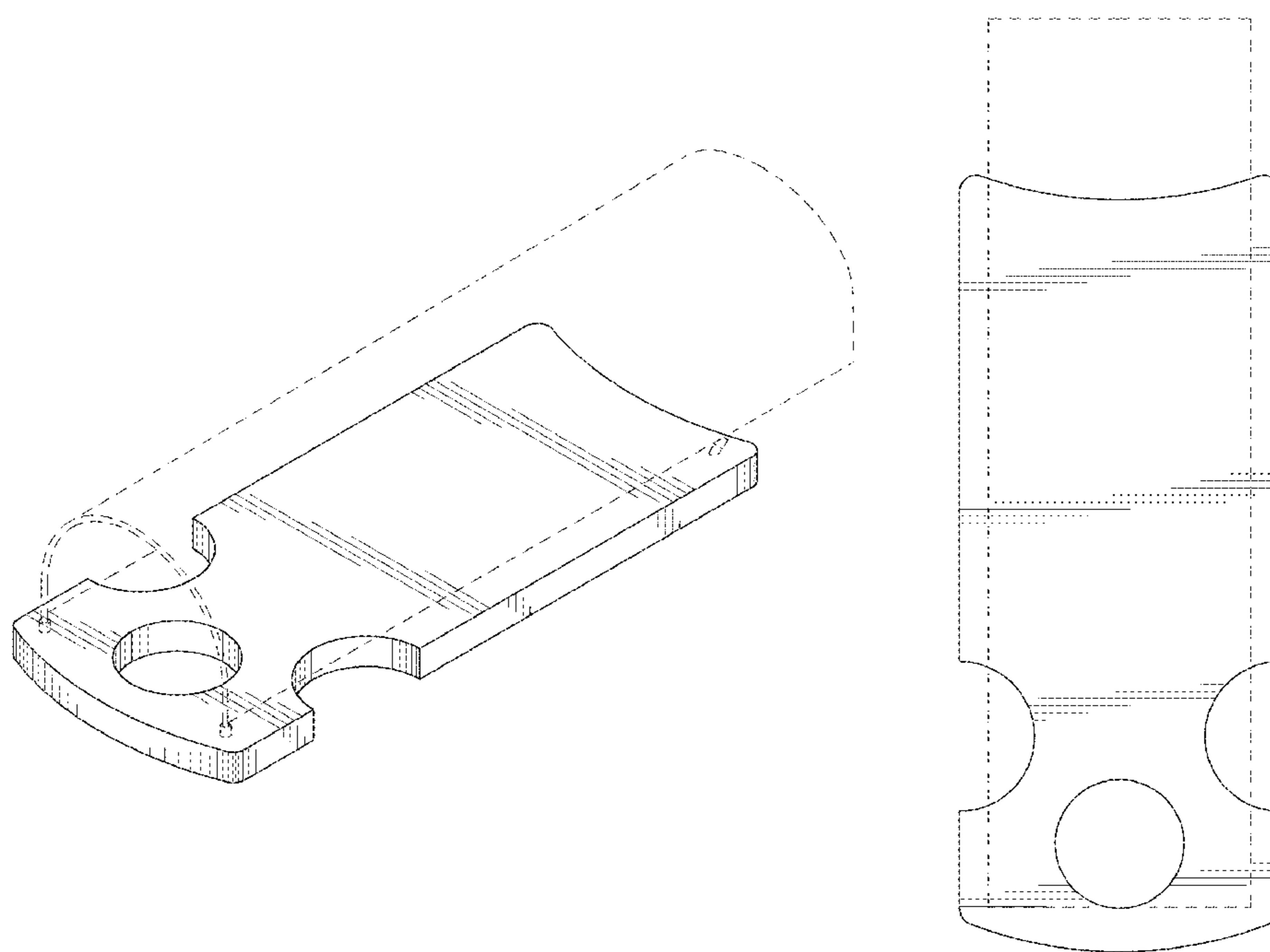
FIG. 4 is a rear elevation view thereof;

FIG. 5 is a right elevation view thereof, the left elevation
view being a mirror image thereof; and,

FIG. 6 is a top front perspective view of the buoyant
platform, shown in use.

The broken lines showing a user of the buoyant platform in
FIG. 6 depicts environmental subject matter that forms no
part of the claimed design, while the remaining broken lines
shown in the drawings depict portions of the buoyant
platform that form no part of the claimed design.

1 Claim, 4 Drawing Sheets



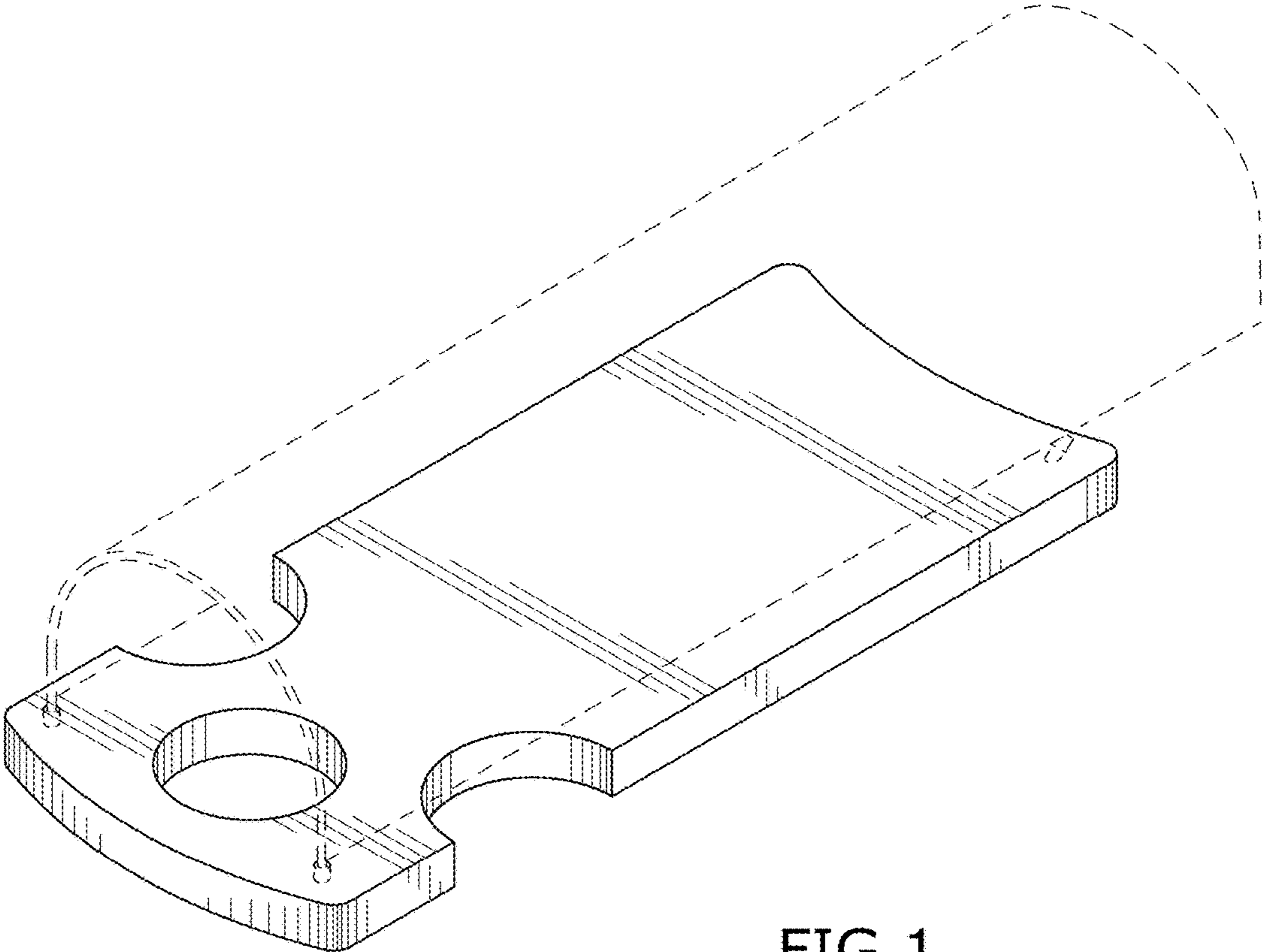


FIG. 1

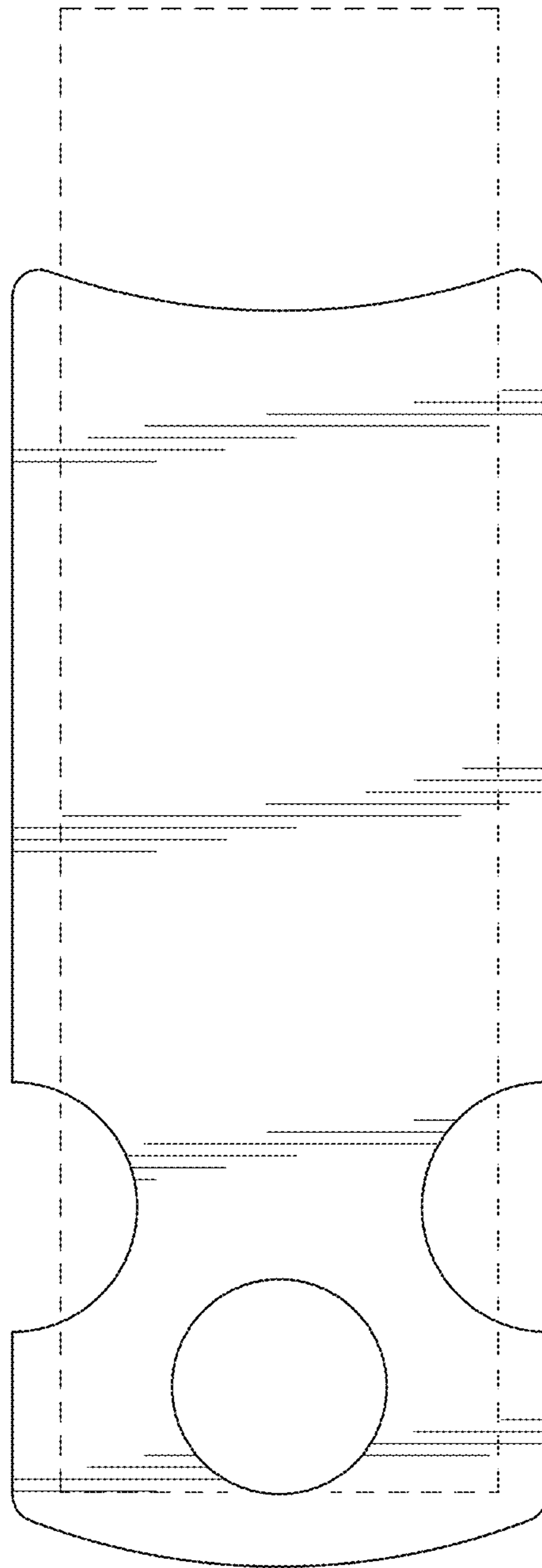


FIG. 2

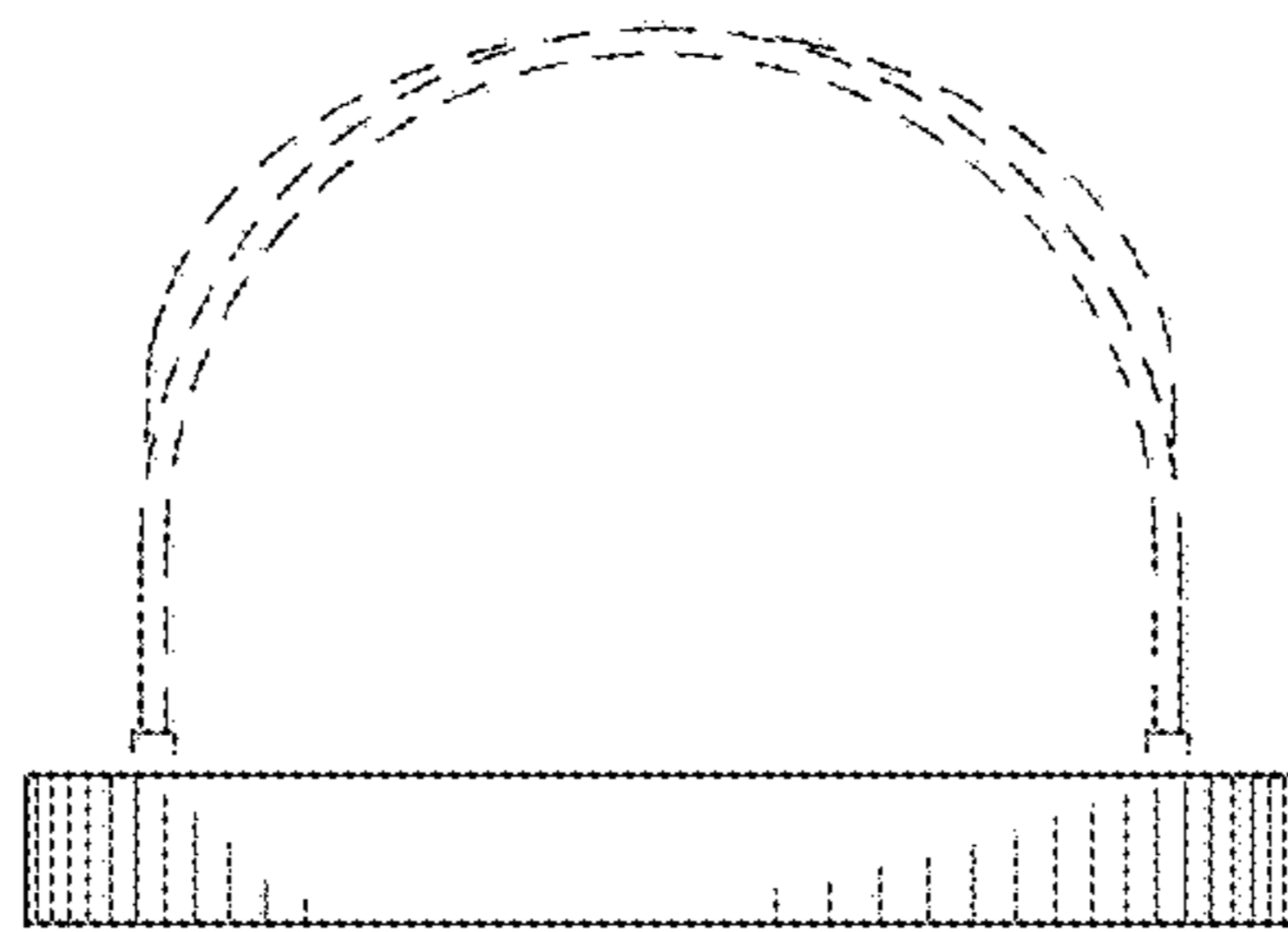


FIG. 3

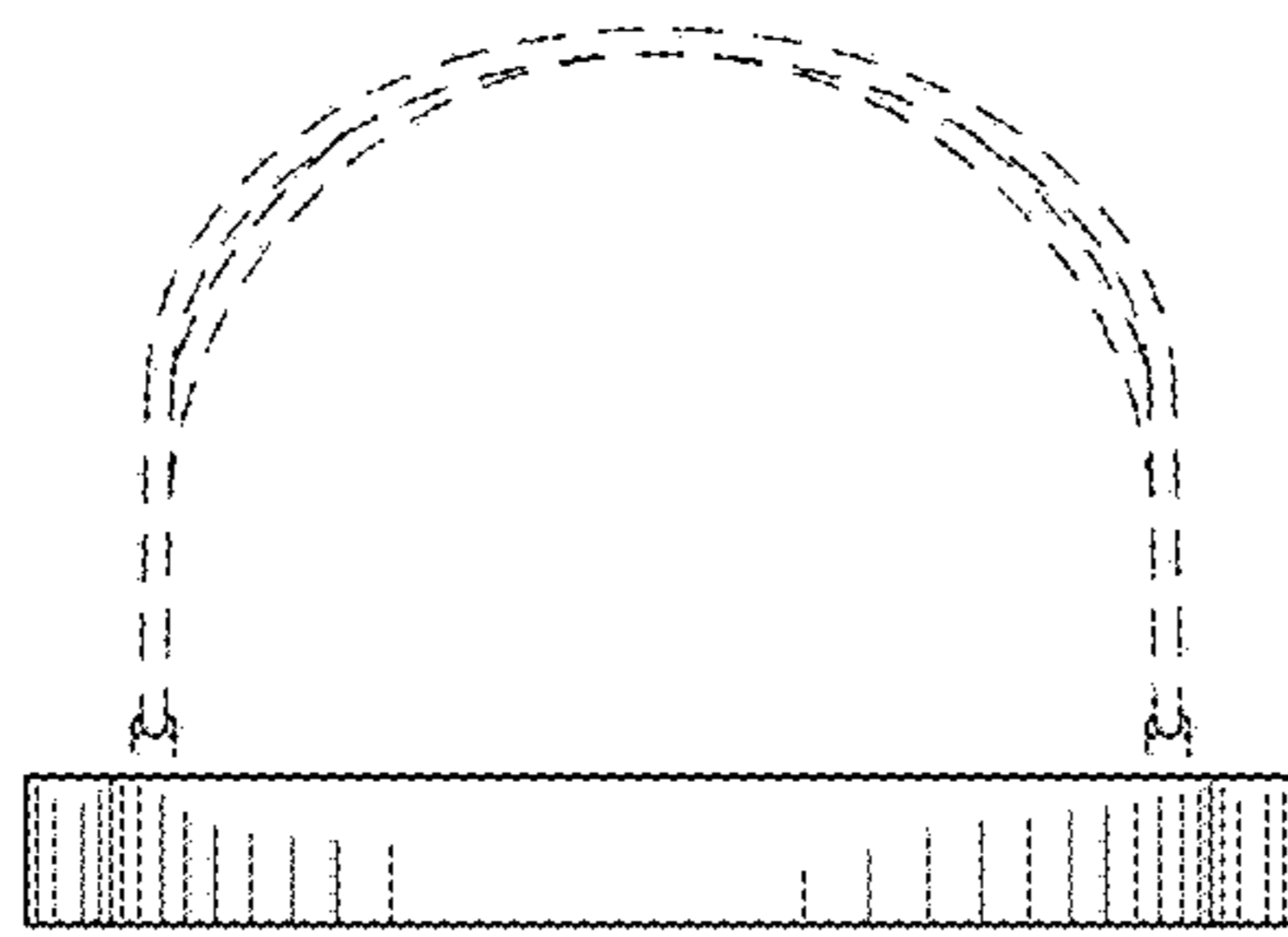


FIG. 4

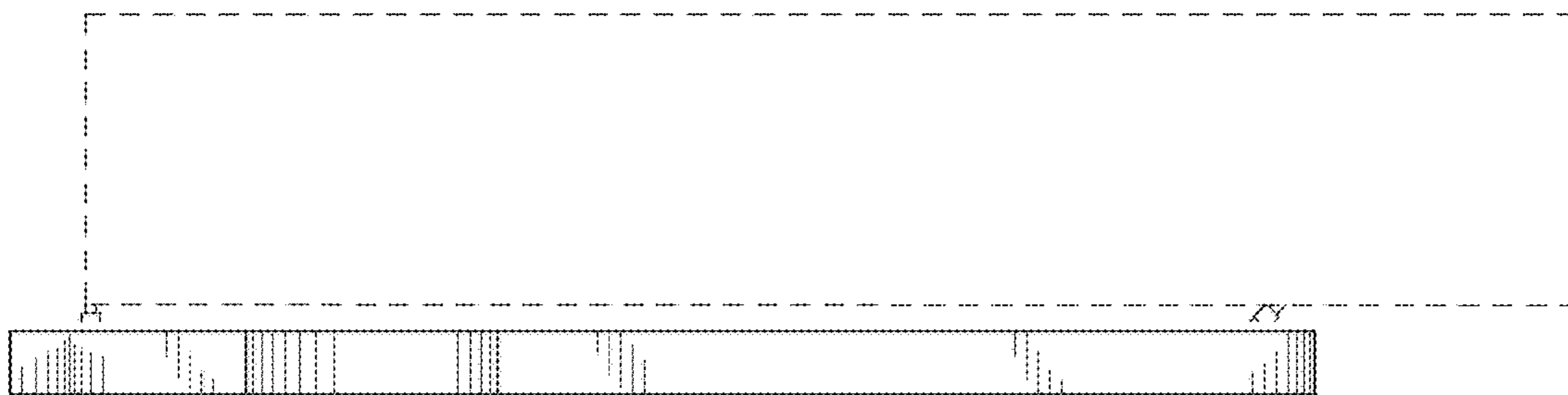


FIG. 5

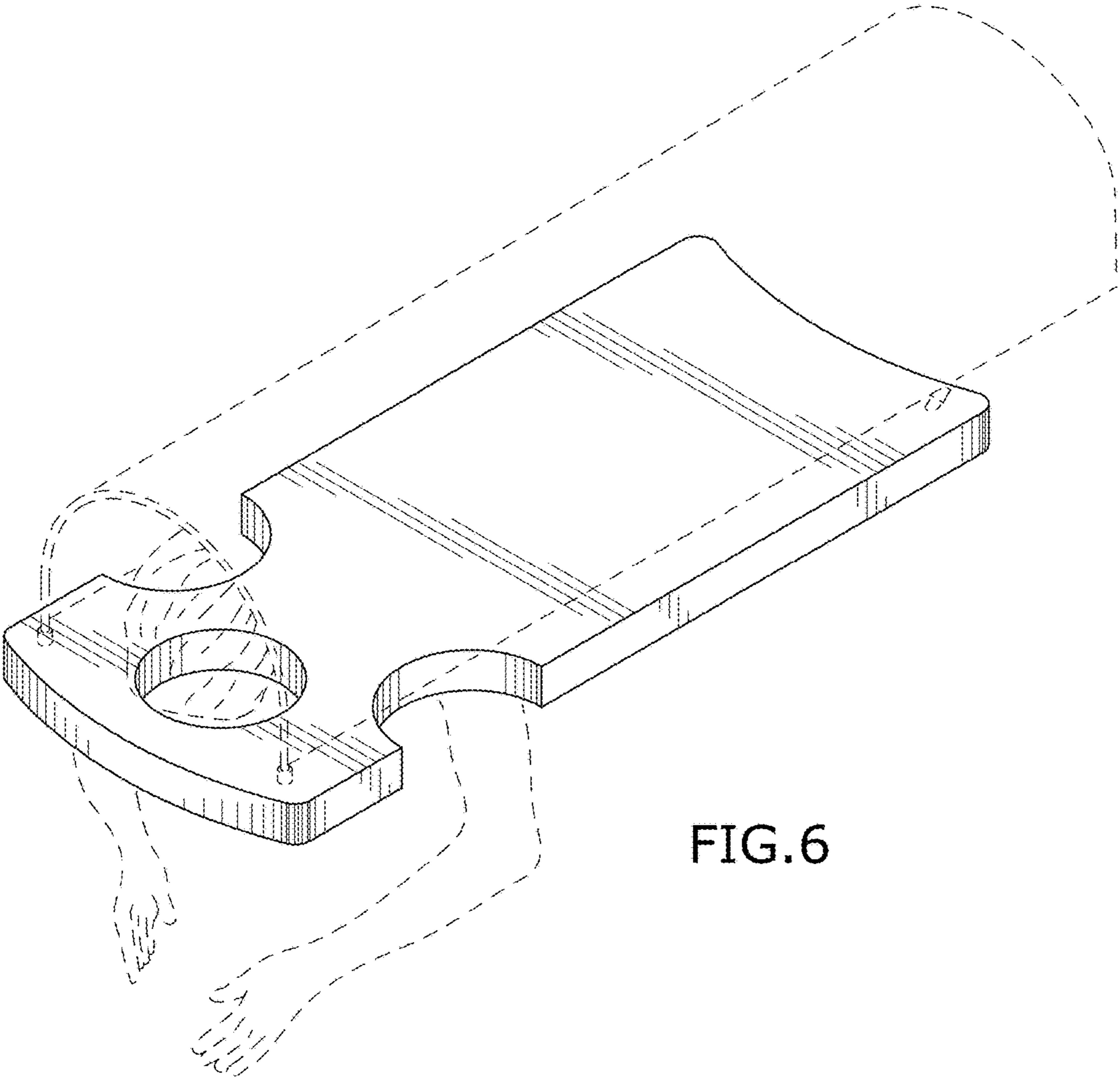


FIG. 6