



US00D800859S

(12) **United States Design Patent** (10) **Patent No.:** **US D800,859 S**
Stenquist (45) **Date of Patent:** **** Oct. 24, 2017**

(54) **POLE FOR ADJUSTABLE NET**
(71) Applicant: **Roger Stenquist**, Linköping (SE)
(72) Inventor: **Roger Stenquist**, Linköping (SE)
(73) Assignee: **STONESNET AB**, Linköping (SE)
(**) Term: **14 Years**
(21) Appl. No.: **29/470,246**
(22) Filed: **Oct. 18, 2013**

(56) **References Cited**

U.S. PATENT DOCUMENTS

D14,442 S 11/1883 Hunziker
843,326 A 2/1907 Chapin
1,641,246 A 9/1927 Bassford
(Continued)

FOREIGN PATENT DOCUMENTS

DE 3523568 A1 1/1987
DE 3823570 A1 1/1990
(Continued)

OTHER PUBLICATIONS

PCT/ISA/210—International Search Report—Aug. 20, 2013
(Issued in PCT/SE2013/050608).
(Continued)

Related U.S. Application Data

(63) Continuation-in-part of application No. PCT/SE2013/050608, filed on May 28, 2013.
(51) **LOC (10) Cl.** **21-02**
(52) **U.S. Cl.**
USPC **D21/799.1**; D21/699
(58) **Field of Classification Search**
USPC D21/691, 694, 698–705, 788, 799.1,
D21/799.2, 800; D25/38.1, 39, 42–46,
D25/48.4, 48.5, 48.8, 58, 126–132;
D20/41; D6/332
CPC A63B 71/02; A63B 71/022; A63B 71/023;
A63B 2071/024; A63B 2071/025; A63B
2071/026; A63B 67/002; A63B 67/18;
A63B 61/00; A63B 61/02; A63B 61/003;
A63B 61/006; A63B 61/04; A63B
2243/0083; A63B 2243/0087; A63B
2225/093; A63B 69/38; A63B 2063/001;
A63B 2063/002; A63B 2061/006; A63B
69/40; A63B 69/401; E04H 17/00; E04H
17/12; E04H 17/1413; E04H 17/1417;
E04H 17/1443; E04H 17/1456; E04H
17/16; E04H 17/161; E04H 17/163; E04H
17/168; E04H 17/18; E04H 17/20; E04H
2017/006; E04H 2017/1421; E04H
(Continued)

Primary Examiner — Catherine Tuttle
(74) *Attorney, Agent, or Firm* — Venable LLP; Jeffri A. Kaminski

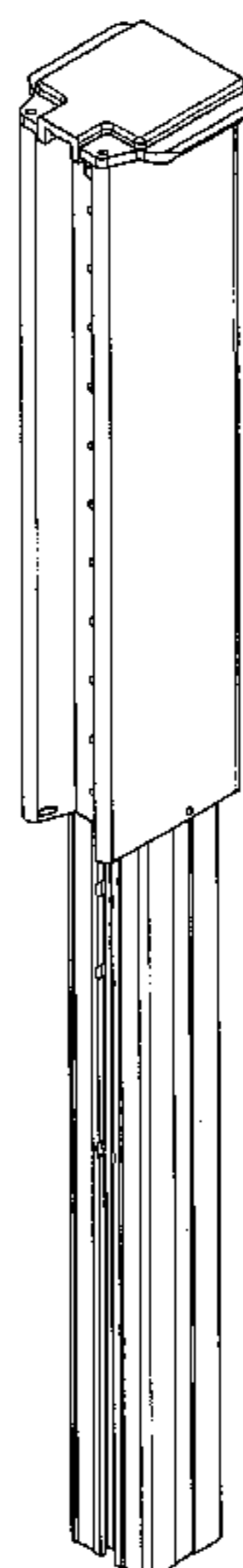
(57) **CLAIM**

The ornamental design for a pole for adjustable net, as shown and described.

DESCRIPTION

FIG. 1 is a rear view of the pole for an adjustable net showing my new design;
FIG. 2 is a front view thereof;
FIG. 3 is a right side view thereof;
FIG. 4 is a perspective view thereof;
FIG. 5 is a left side view thereof;
FIG. 6 is a top view thereof; and,
FIG. 7 is a view showing the profile of the design along line 7-7 of FIG. 1.
The broken lines are included for the purpose of illustrating the interior portions of the pole for adjustable net that form no part of the claimed design.

1 Claim, 7 Drawing Sheets



(58) **Field of Classification Search**
 CPC 2017/1452; E04H 2017/1465; E04H
 2017/1486; E01F 13/022; E04B 2/78
 See application file for complete search history.

(56) **References Cited**

U.S. PATENT DOCUMENTS

1,896,835	A	2/1933	Bunker	
1,940,595	A *	12/1933	Johnson	473/493
1,959,573	A	5/1934	Dieball	
1,998,454	A	4/1935	Gordon	
2,615,715	A	10/1952	Moore	
3,193,255	A *	7/1965	Burdett	256/19
3,195,864	A *	7/1965	Case	256/65.11
3,689,067	A	9/1972	Bramley et al.	
4,122,451	A	10/1978	Senoh	
4,135,716	A	1/1979	Ginsburg	
4,153,247	A *	5/1979	Burns	473/416
4,204,679	A	5/1980	Kreuzman	
4,243,221	A	1/1981	Ferreira-Godinho	
4,369,953	A *	1/1983	Greiner et al.	256/24
4,415,163	A	11/1983	Schoenig	
4,444,397	A	4/1984	Kaburagi et al.	
4,717,157	A	1/1988	Smith	
4,720,112	A	1/1988	Stettner et al.	
4,830,382	A	5/1989	Wheeler	
4,852,876	A	8/1989	Scioscia	
4,886,268	A	12/1989	Langslet	
4,895,366	A	1/1990	Bartasius	
4,968,042	A	11/1990	Stewart	
4,993,719	A *	2/1991	Hernandez	473/492
5,320,344	A	6/1994	Henderson	
5,344,157	A	9/1994	McCord	
5,358,257	A	10/1994	Pardi	
5,393,051	A	2/1995	Merino et al.	
5,827,137	A	10/1998	Ishino	
6,248,030	B1 *	6/2001	Pierce	473/493
D465,286	S *	11/2002	Gregori	D25/38.1
D470,598	S *	2/2003	Schneider et al.	D25/38.1
6,758,770	B2	7/2004	Chandronnait	
6,802,789	B1	10/2004	Ishino	
D507,618	S *	7/2005	Scarpa, III	D21/799.1
6,926,626	B2 *	8/2005	Scarpa, III	473/492

7,410,431	B2	8/2008	Underwood	
7,429,225	B1	9/2008	Shull	
7,559,860	B2	7/2009	Underwood	
7,731,610	B2	6/2010	Im	
D621,956	S	8/2010	Preston	
7,972,226	B2	7/2011	Underwood	
8,435,141	B2	5/2013	Harris et al.	
D710,563	S *	8/2014	Panzer et al.	D34/35
8,864,110	B2 *	10/2014	Xu	256/47
D717,471	S *	11/2014	Donnelly et al.	D25/38.1
9,266,005	B2 *	2/2016	Stenquist	A63B 61/00
2002/0065153	A1	5/2002	Bertrand	
2005/0087733	A1 *	4/2005	Weitzel	256/59
2008/0011994	A1 *	1/2008	Howe et al.	256/27
2011/0081995	A1	4/2011	Cusimano	
2011/0224031	A1	9/2011	Underwood	
2015/0041742	A1 *	2/2015	Xu et al.	256/24

FOREIGN PATENT DOCUMENTS

DE	4019610	A1	11/1991
DE	4105626	A1	12/1992
DE	9309430.2	U1	10/1993
DE	29818966	U1	3/1999
DE	20204941	U1	10/2002
DE	20210256	U1	1/2003
DE	202010000192	U1	7/2010
EP	0838246	B1	12/2004
FR	784191		7/1935
FR	2424592		11/1979
FR	2750342	A1	1/1998
FR	2775194	A1	8/1999
FR	2799657	A1	4/2001
GB	290394		5/1928
GB	2172207	A	9/1986
GB	2461942	A	1/2010
GB	2464298	B	4/2011
JP	51-135645	U	11/1976

OTHER PUBLICATIONS

Office Action Issued in U.S. Appl. No. 14/404,398—Jun. 26, 2015.
 Office Action Issued in U.S. Appl. No. 29/470,237—Jun. 18, 2015.

* cited by examiner

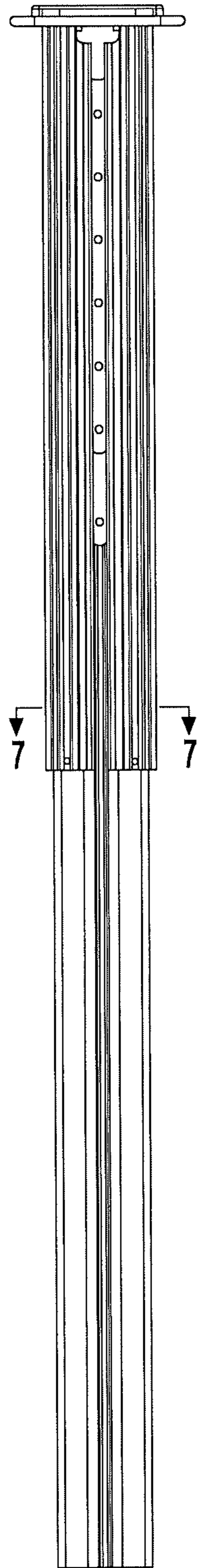


FIG. 1

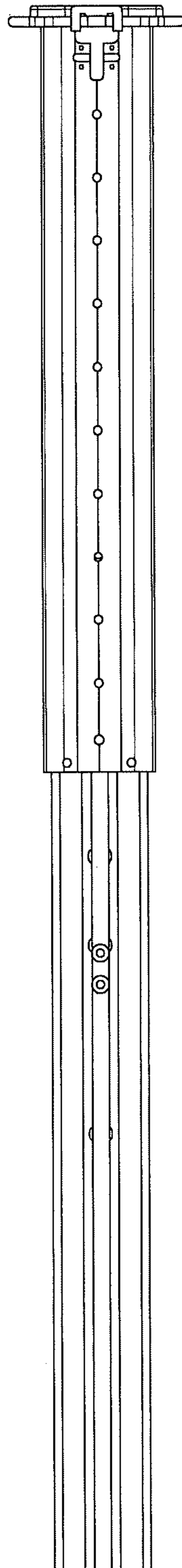


FIG. 2

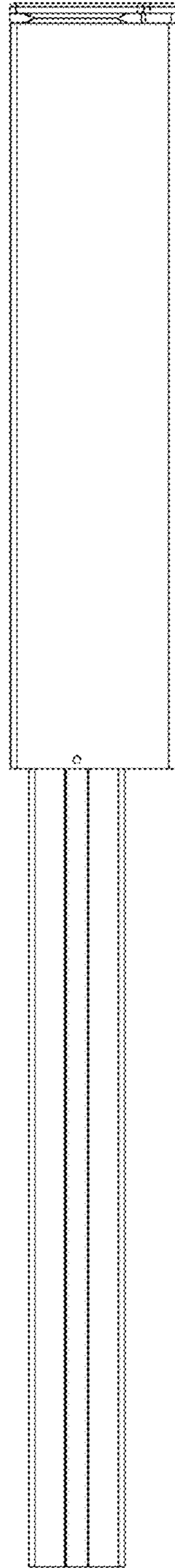


Fig. 3

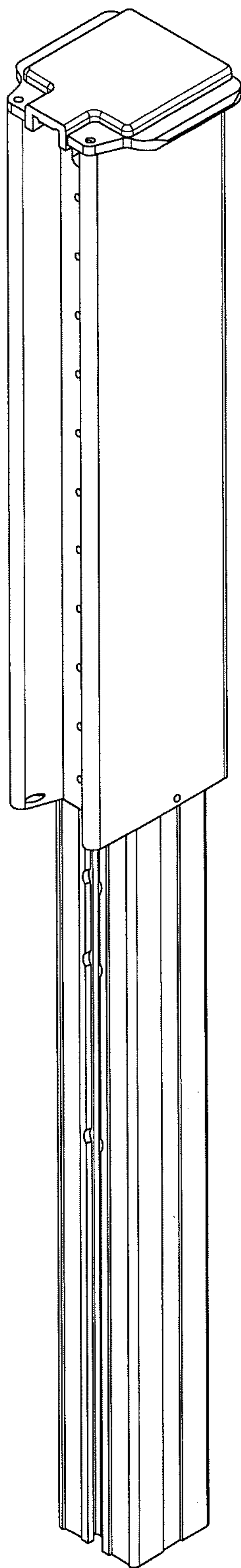


FIG. 4

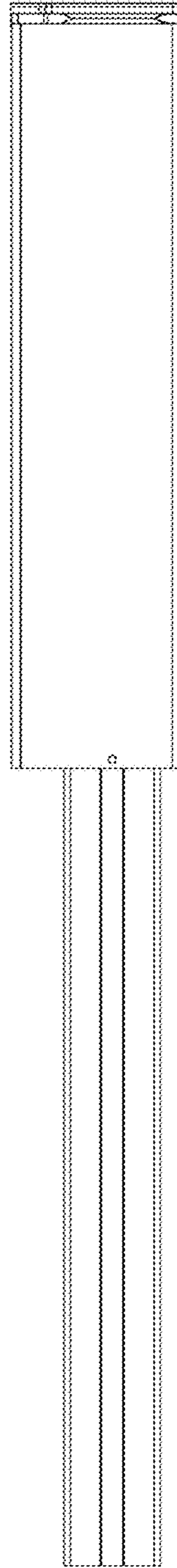


Fig. 5

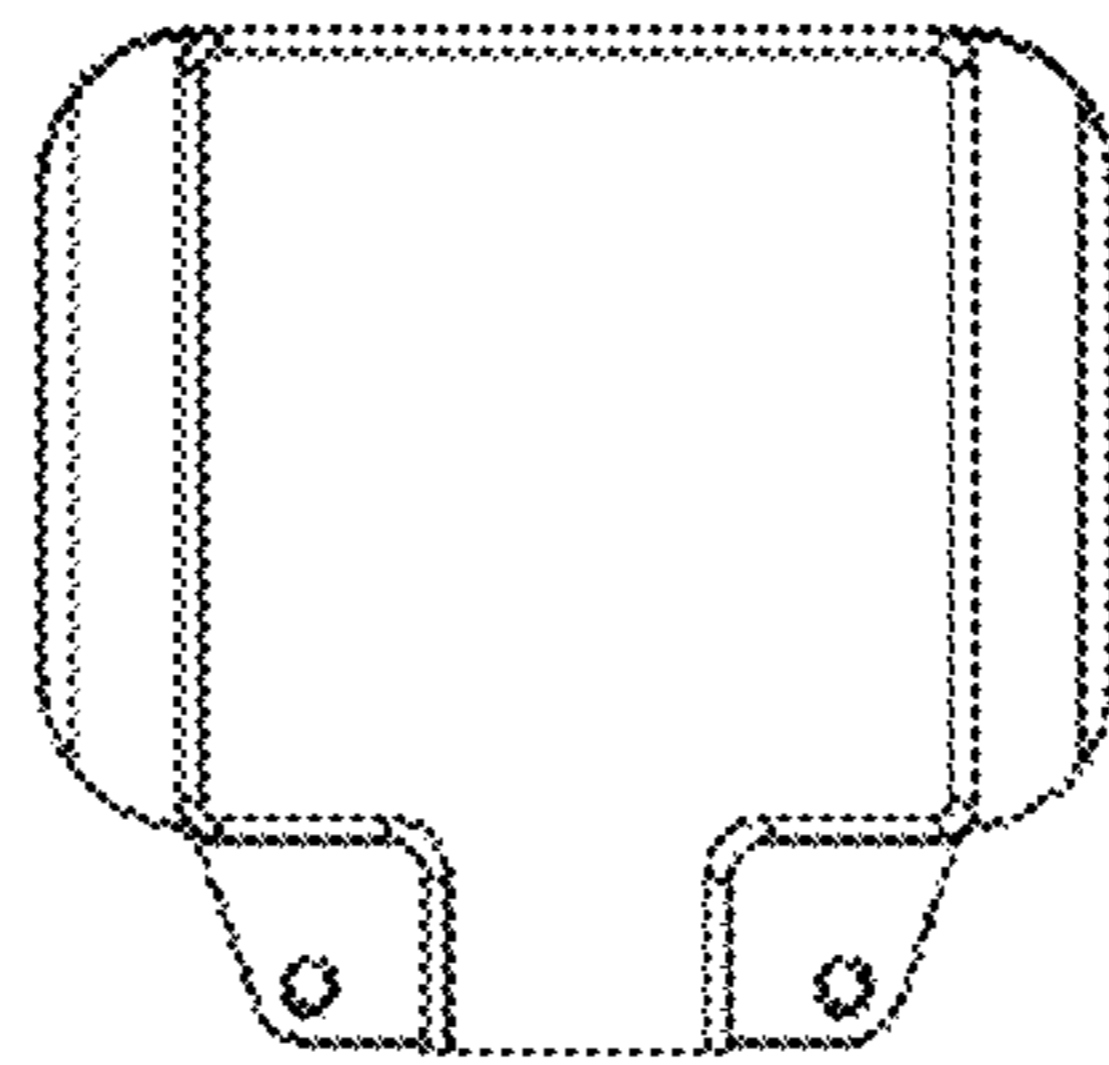


Fig. 6

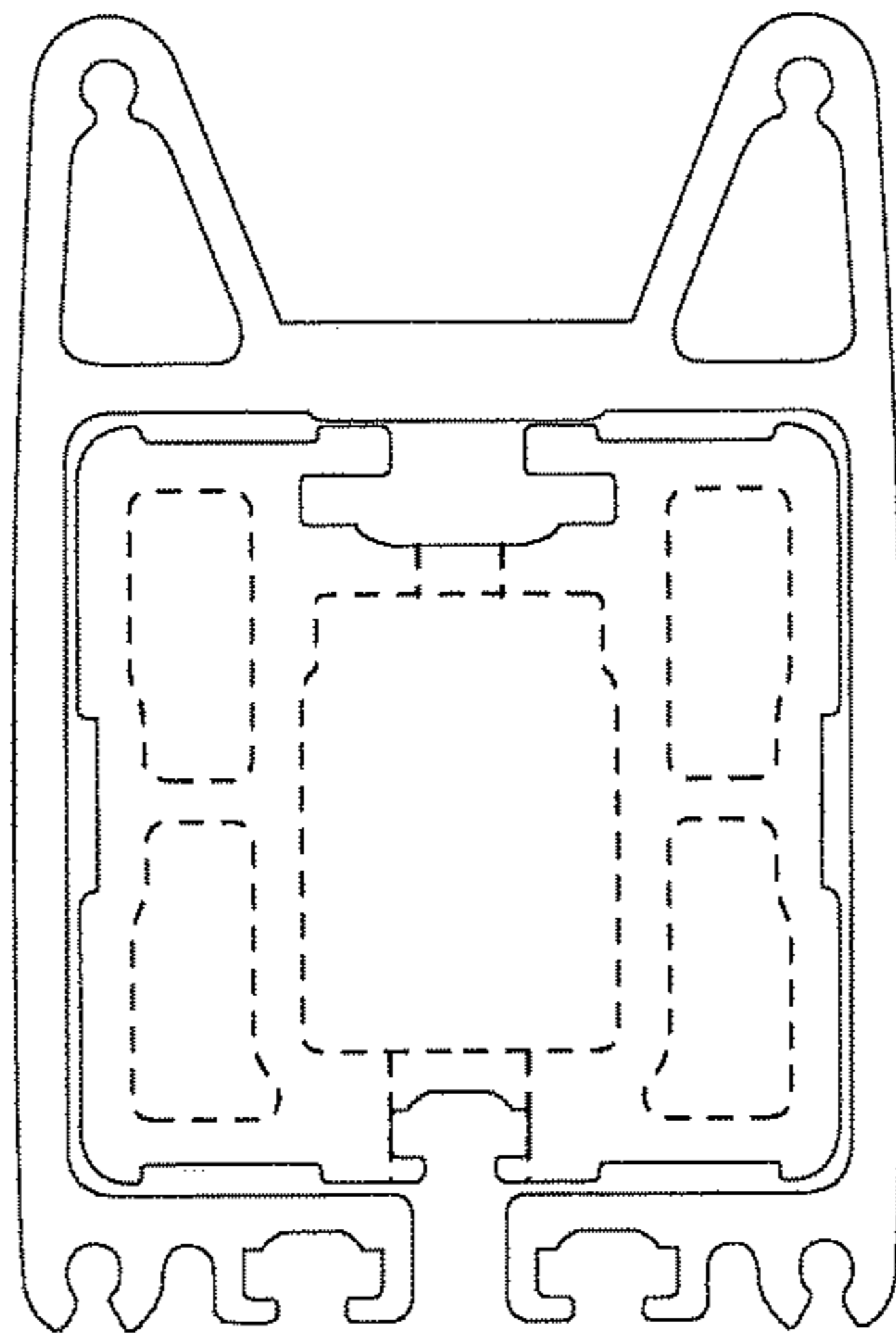


FIG. 7