



US00D800855S

(12) **United States Design Patent** (10) **Patent No.:** **US D800,855 S**  
**Rollinson** (45) **Date of Patent:** **\*\* Oct. 24, 2017**

(54) **PUTTER HEAD**  
(71) Applicant: **Callaway Golf Company**, Carlsbad, CA (US)  
(72) Inventor: **Augustin W. Rollinson**, Carlsbad, CA (US)  
(73) Assignee: **Callaway Golf Company**, Carlsbad, CA (US)  
(\*\*) Term: **15 Years**  
(21) Appl. No.: **29/576,053**  
(22) Filed: **Aug. 31, 2016**  
(51) **LOC (10) Cl.** ..... **21-02**  
(52) **U.S. Cl.**  
USPC ..... **D21/742**  
(58) **Field of Classification Search**  
USPC ..... D21/736-746, 759  
CPC ..... A63B 53/00; A63B 53/04; A63B 53/007;  
A63B 53/065; A63B 53/0487; A63B  
60/00; A63B 60/46  
See application file for complete search history.

D532,847 S \* 11/2006 Rollinson ..... D21/736  
D561,854 S \* 2/2008 Morris ..... D21/744  
D569,461 S \* 5/2008 Morris ..... D21/744  
D575,366 S \* 8/2008 Rollinson ..... D21/744  
D599,425 S \* 9/2009 Laub ..... D21/746  
D623,710 S \* 9/2010 Hilton ..... A63B 53/0487  
D21/743  
D640,341 S \* 6/2011 Foster ..... D21/742  
D664,617 S \* 7/2012 Serrano ..... D21/743  
D720,028 S \* 12/2014 Serrano ..... D21/759  
D723,641 S \* 3/2015 Serrano ..... D21/743  
D735,283 S \* 7/2015 Solheim ..... D21/743  
D754,805 S \* 4/2016 Serrano ..... D21/743  
D793,502 S \* 8/2017 Cardani ..... D21/743

\* cited by examiner

*Primary Examiner* — Mitchell I. Siegel  
(74) *Attorney, Agent, or Firm* — Rebecca Hanovice;  
Michael Catania; Sonia Lari

(57) **CLAIM**

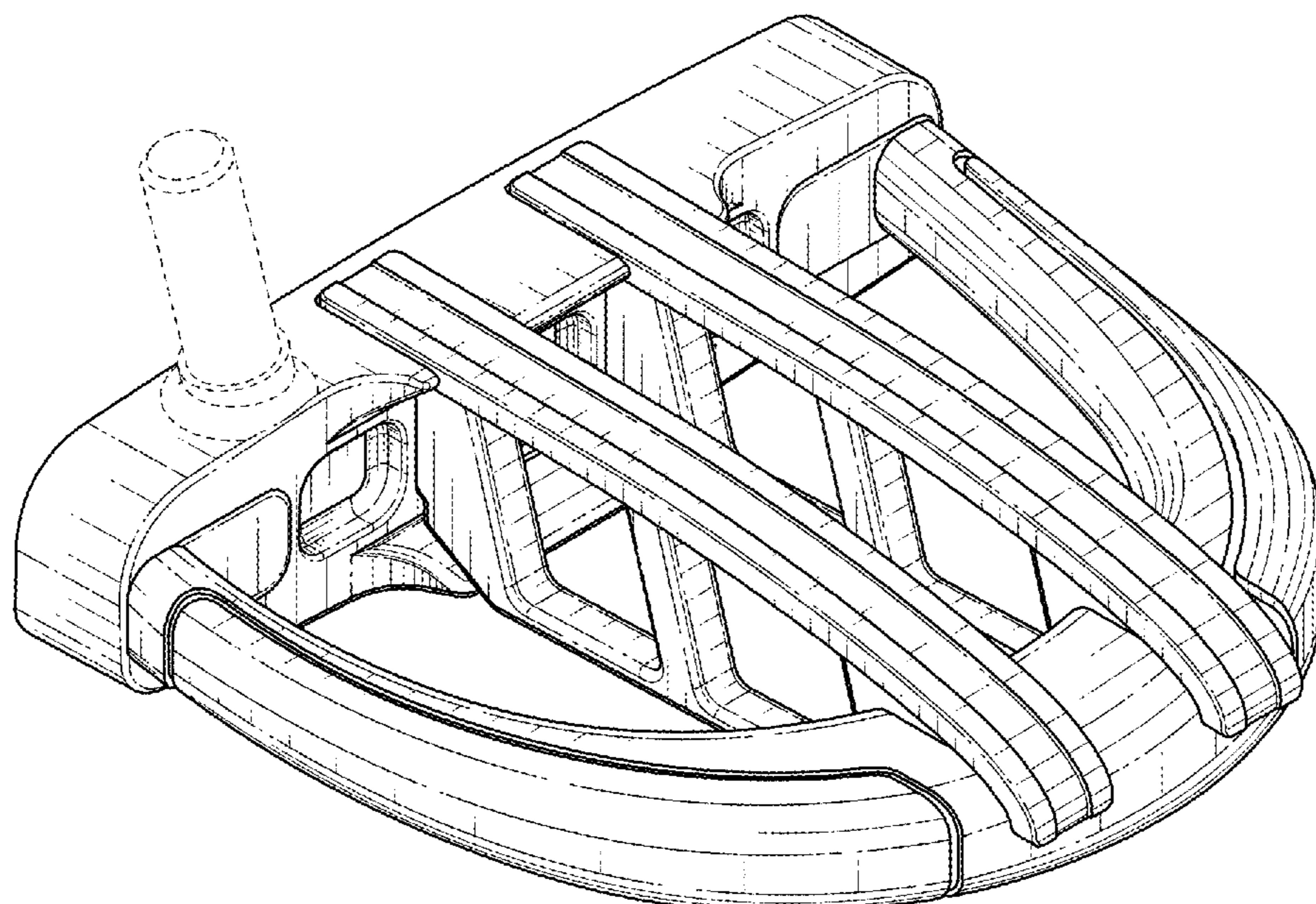
The ornamental design for a putter head, as shown and described.

**DESCRIPTION**

FIG. 1 is a rear perspective view of the putter head claimed herein;  
FIG. 2 is a rear elevational view thereof;  
FIG. 3 is a front elevational view thereof;  
FIG. 4 is a right side elevational view thereof;  
FIG. 5 is a left side elevational view thereof;  
FIG. 6 is a top elevational view thereof; and,  
FIG. 7 is a bottom elevational view thereof.  
The broken lines are included for the purpose of illustration and form no part of the claimed design.

**1 Claim, 5 Drawing Sheets**

(56) **References Cited**  
U.S. PATENT DOCUMENTS  
5,275,412 A \* 1/1994 Innes ..... A63B 69/3685  
473/253  
5,685,784 A \* 11/1997 Butler ..... A63B 53/0487  
473/255  
D493,857 S \* 8/2004 Cameron ..... D21/738  
D507,316 S \* 7/2005 Li ..... D21/742  
D532,067 S \* 11/2006 Soracco ..... D21/742



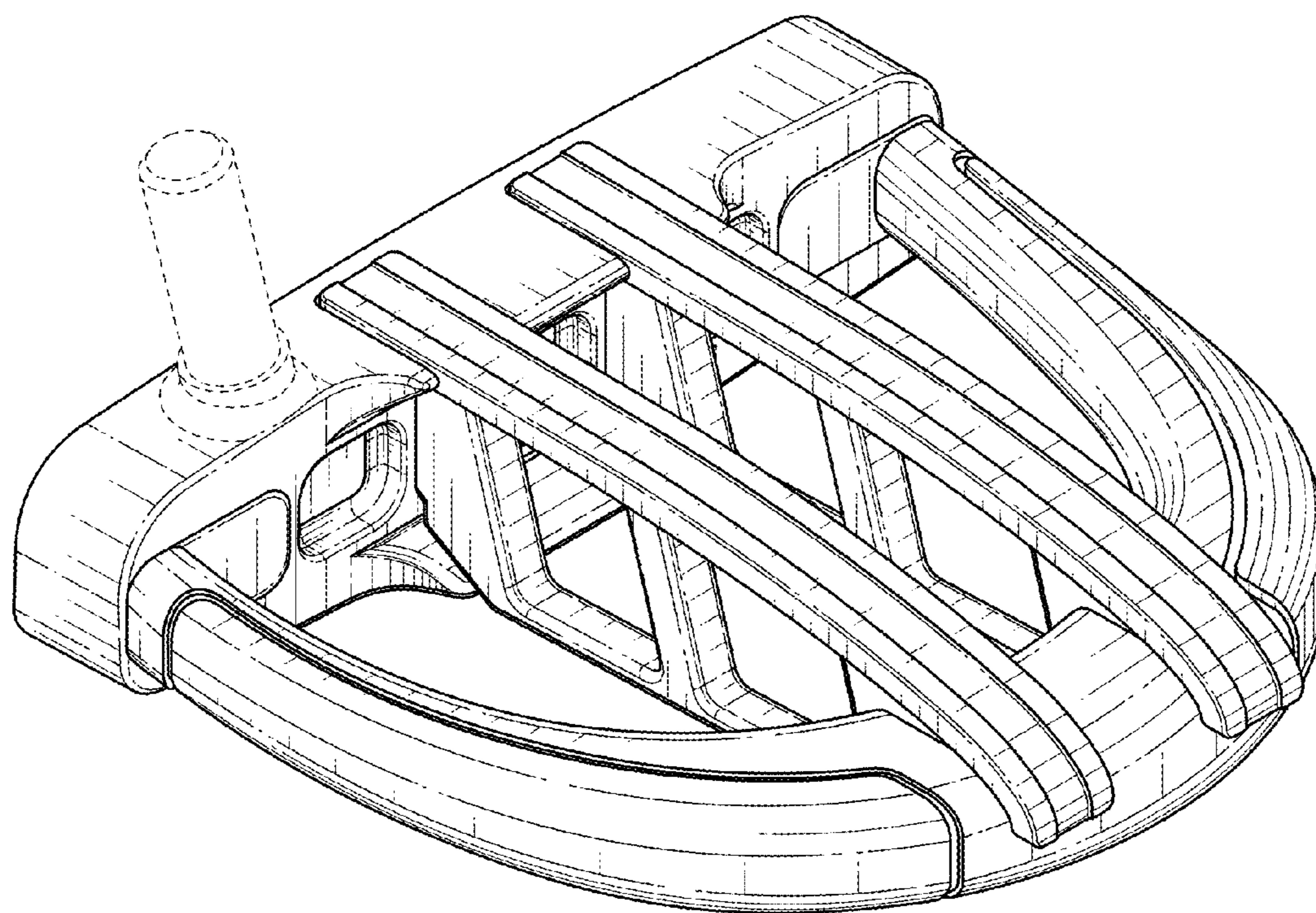


FIG. 1



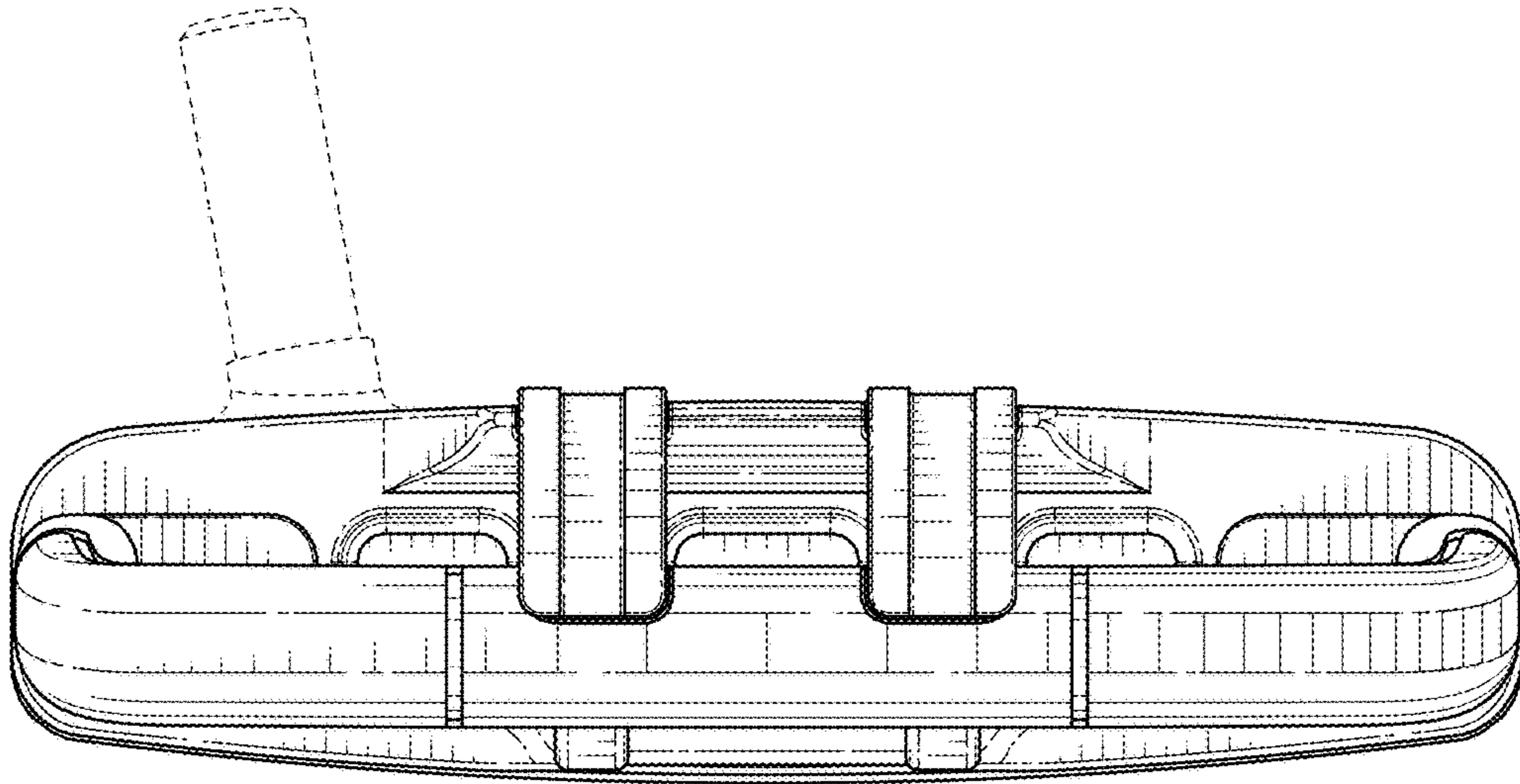


FIG. 2

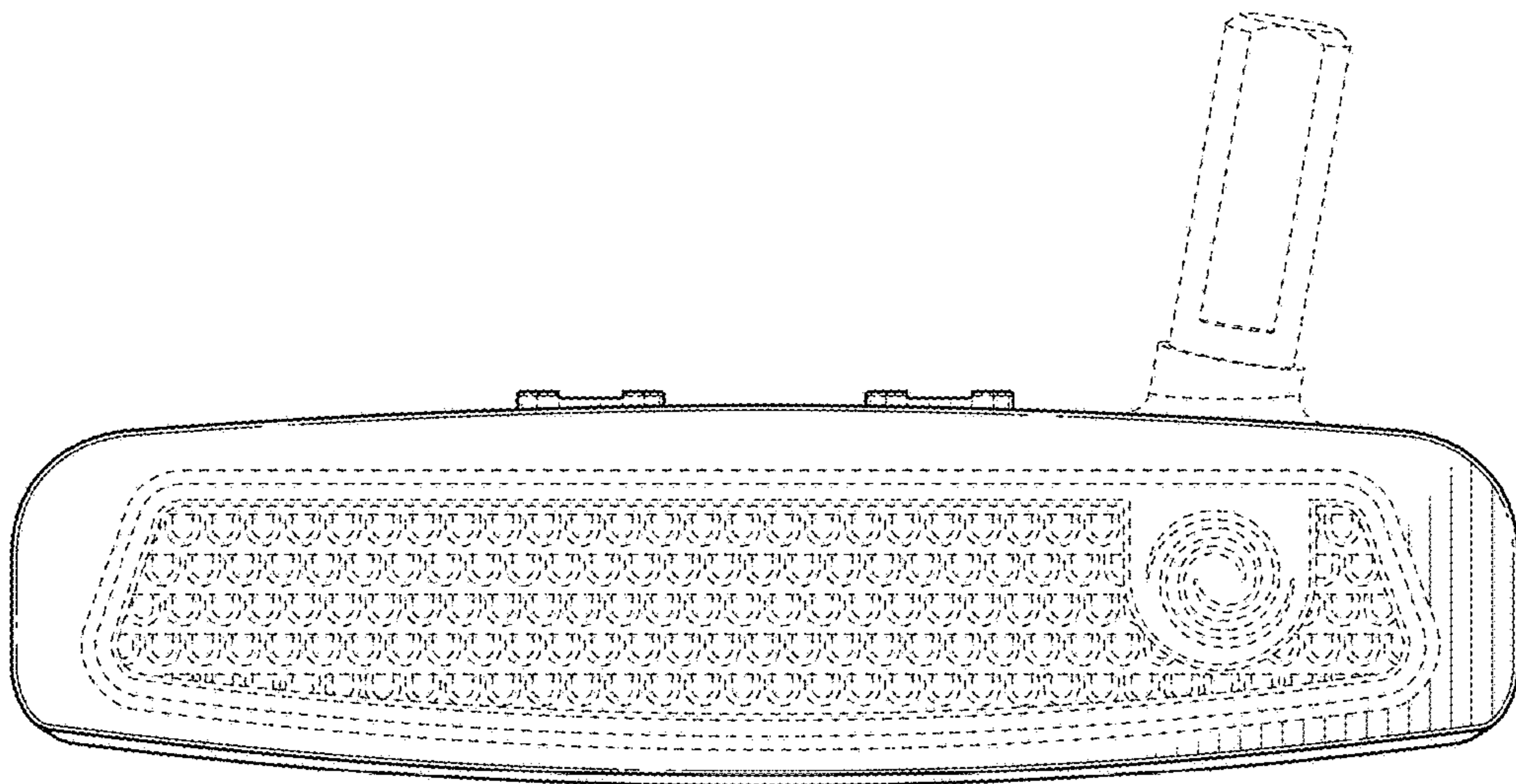


FIG. 3

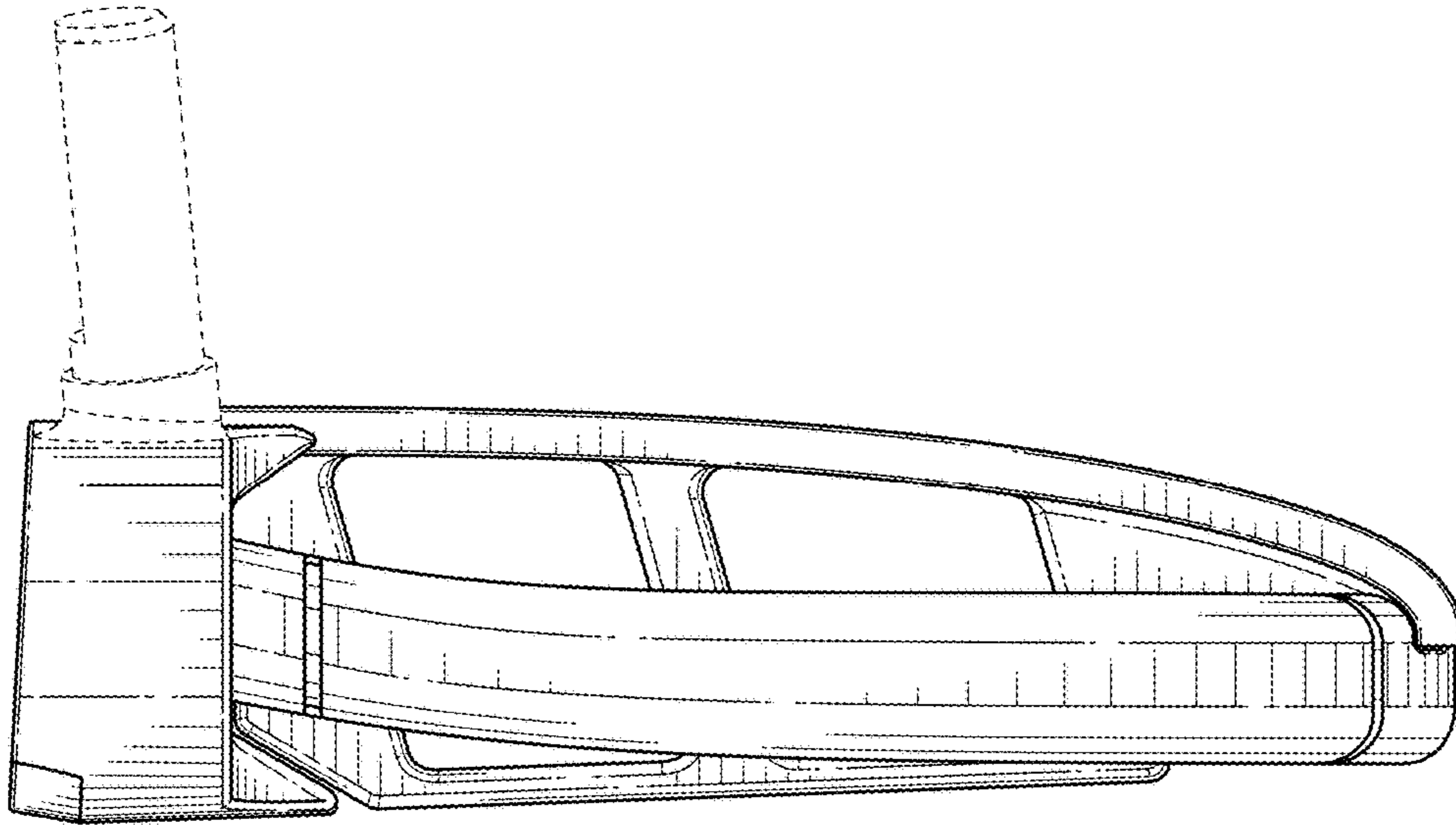


FIG. 4

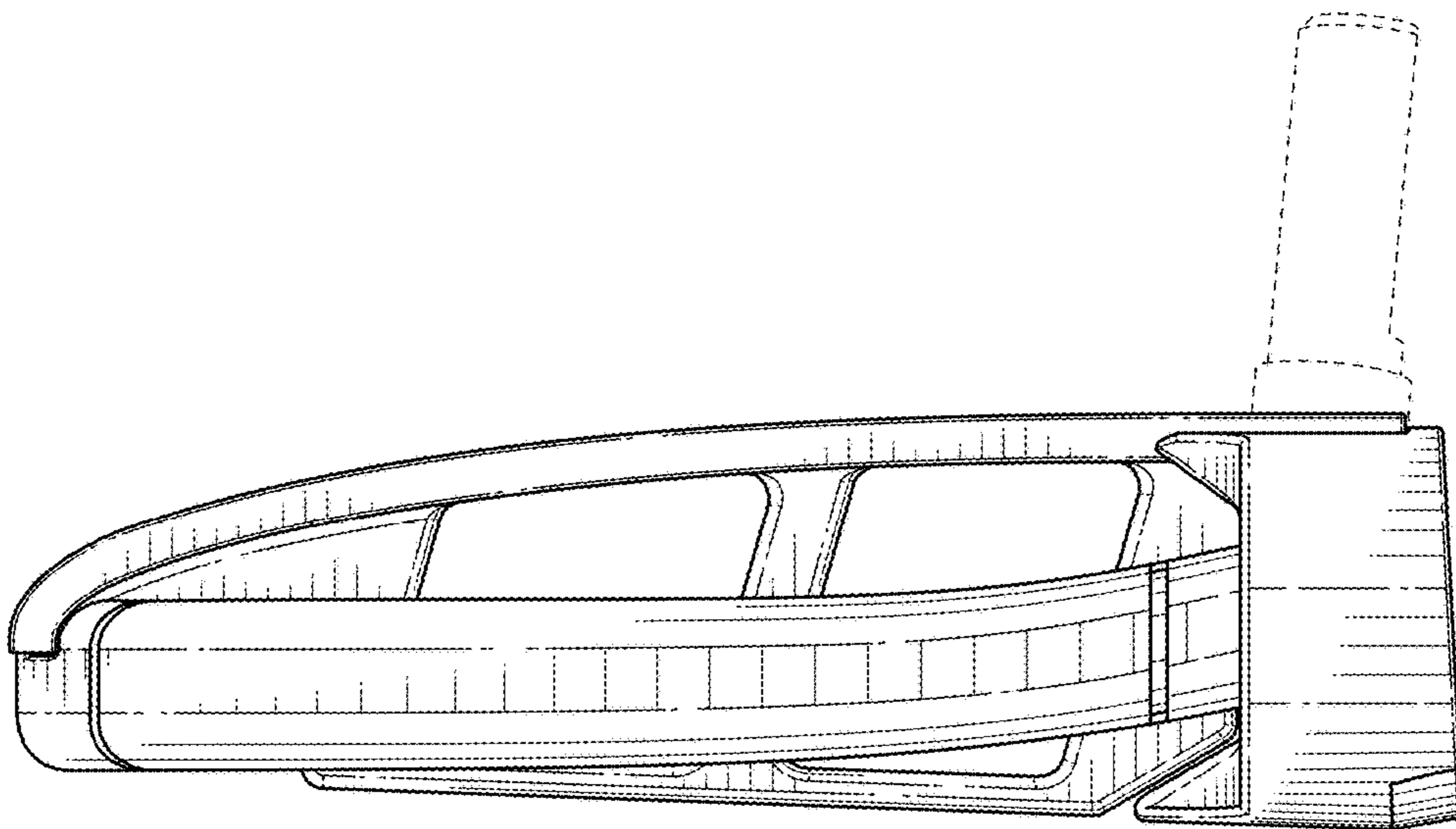


FIG. 5

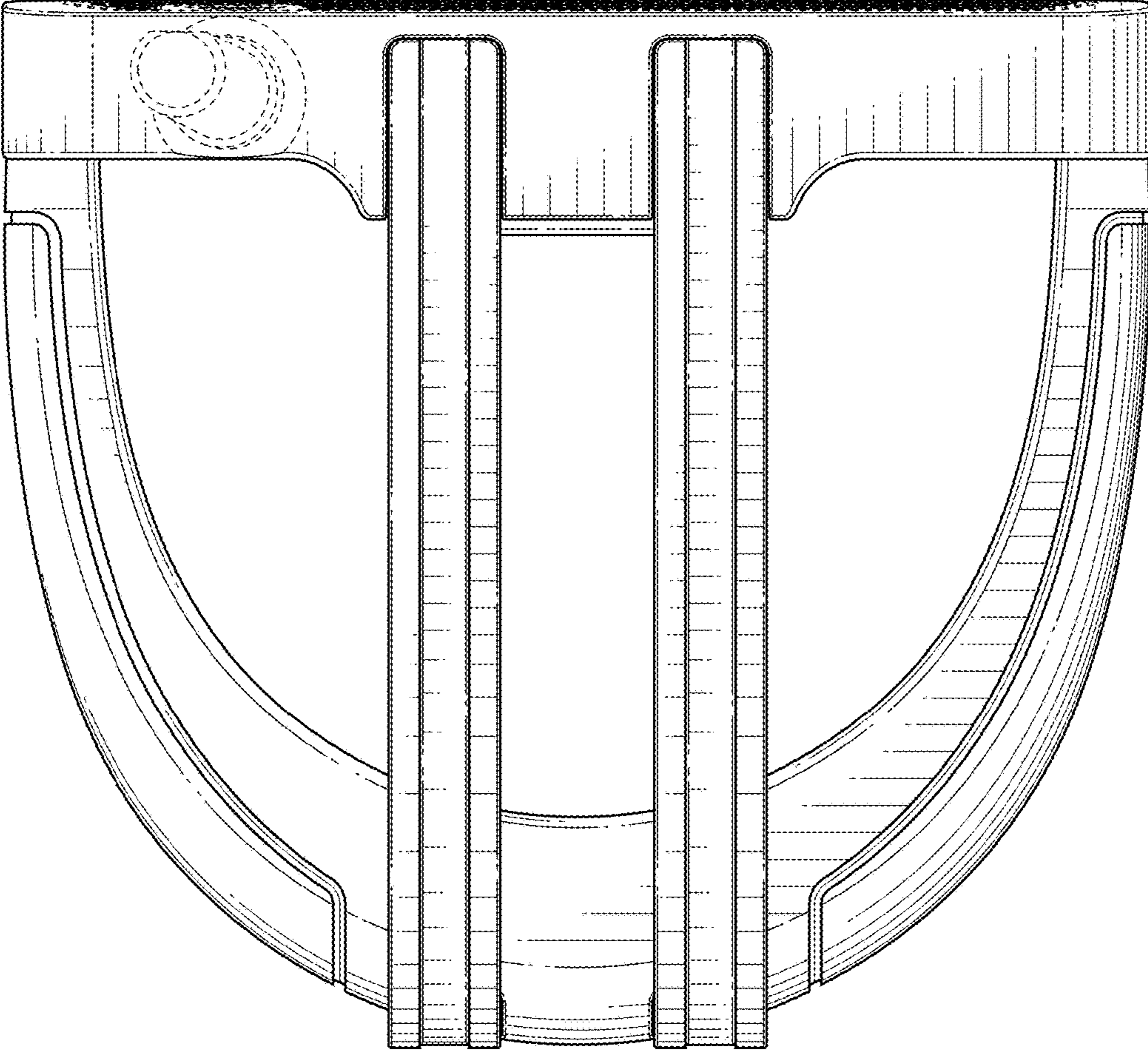


FIG. 6



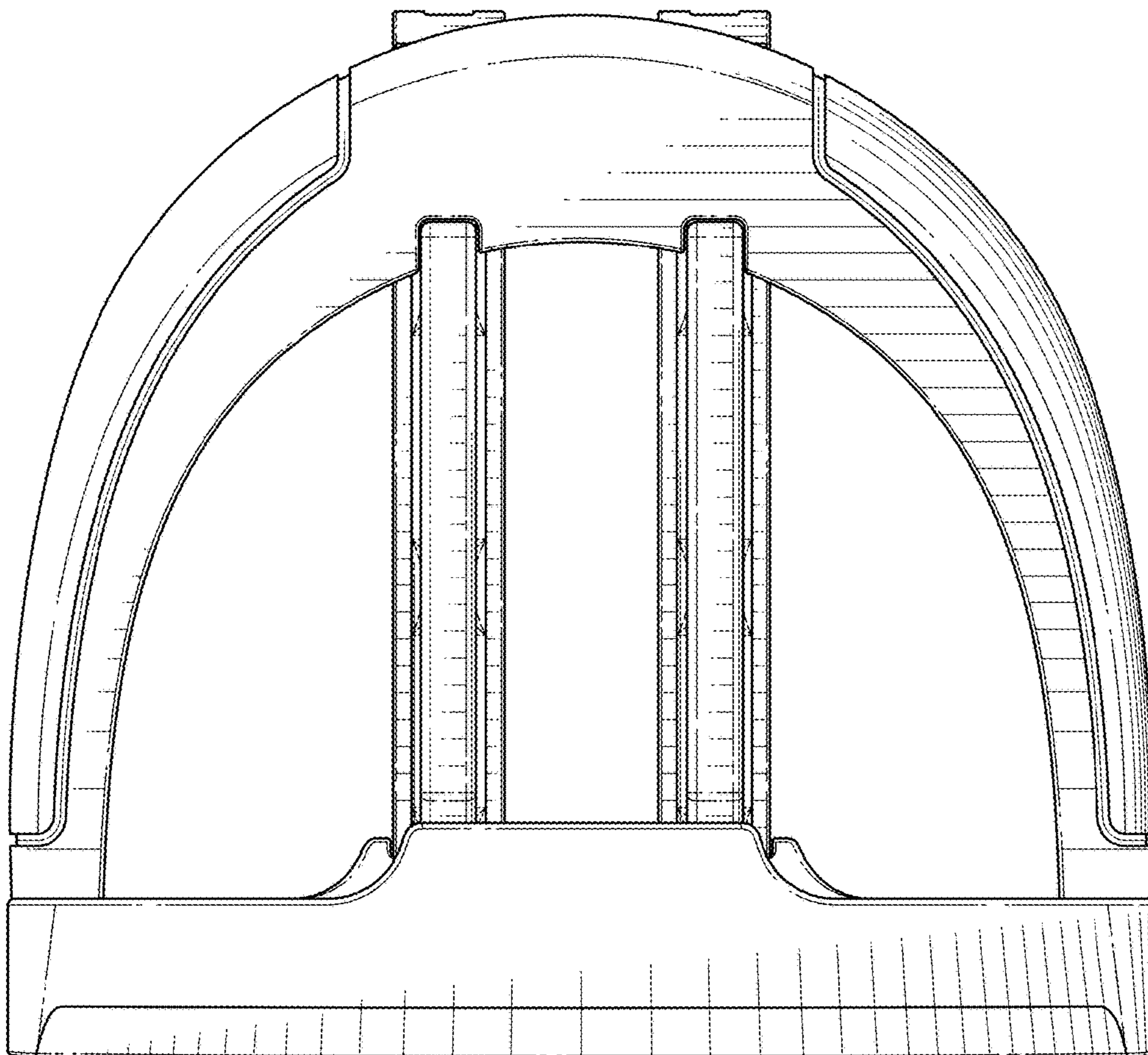


FIG. 7