



US00D800853S

(12) **United States Design Patent** (10) **Patent No.:** **US D800,853 S**
Martens (45) **Date of Patent:** **** *Oct. 24, 2017**

(54) **EXERCISE MACHINE FRAME**
(71) Applicant: **Millennium Fitness LTD**, Minneapolis, MN (US)
(72) Inventor: **Philip S. Martens**, Minneapolis, MN (US)
(73) Assignee: **Millennium Fitness LTD**, Minneapolis, MN (US)

7,597,655	B2 *	10/2009	Webber et al.	482/136
8,475,338	B2 *	7/2013	Greenhill et al.	482/5
2004/0005966	A1 *	1/2004	Chen	482/100
2004/0266591	A1 *	12/2004	Alessandri et al.	482/94
2007/0032356	A1 *	2/2007	Rief	482/130
2007/0093364	A1 *	4/2007	Batca	482/99
2007/0117690	A1 *	5/2007	Webber	482/94
2011/0092343	A1 *	4/2011	Habing	482/94
2013/0109544	A1 *	5/2013	Reyes	482/99
2013/0157816	A1 *	6/2013	Lyszczarz	482/99

* cited by examiner

(*) Notice: This patent is subject to a terminal disclaimer.

Primary Examiner — Robert M Spear

Assistant Examiner — Ryan Harvey

(**) Term: **14 Years**

(74) *Attorney, Agent, or Firm* — Schwegman Lundberg & Woessner, P.A.

(21) Appl. No.: **29/488,420**

(22) Filed: **Apr. 18, 2014**

(57) **CLAIM**

(51) **LOC (10) Cl.** **21-02**

The ornamental design for an exercise machine frame, substantially as shown and described.

(52) **U.S. Cl.**

USPC **D21/691**

(58) **Field of Classification Search**

DESCRIPTION

USPC ... 482/99, 111, 114, 121, 133, 94, 142, 130, 482/112, 100, 138, 102, 101, 1, 5, 8, 9, 482/901, 95, 96, 51, 92, 93, 136, 104, 482/108, 97, 140, 69, 107, 98, 139, 4, 6, 482/145, 41; 434/29; D21/673, 691, D21/694, 682, 686, 675, 676, 826
CPC A63B 21/1492; A63B 21/062; A63B 23/0211; A63B 21/0552; A63B 2208/0233
See application file for complete search history.

FIG. 1 is a perspective view of an exercise machine frame according to the present invention;
FIG. 2 is a side view of FIG. 1;
FIG. 3 is a front view thereof, rotated ninety degrees relative to FIG. 2;
FIG. 4 is a back view thereof, rotated ninety degrees relative to FIG. 2;
FIG. 5 is a bottom view thereof, rotated ninety degrees relative to FIG. 2; and,
FIG. 6 is a top view thereof, rotated ninety degrees relative to FIG. 2.

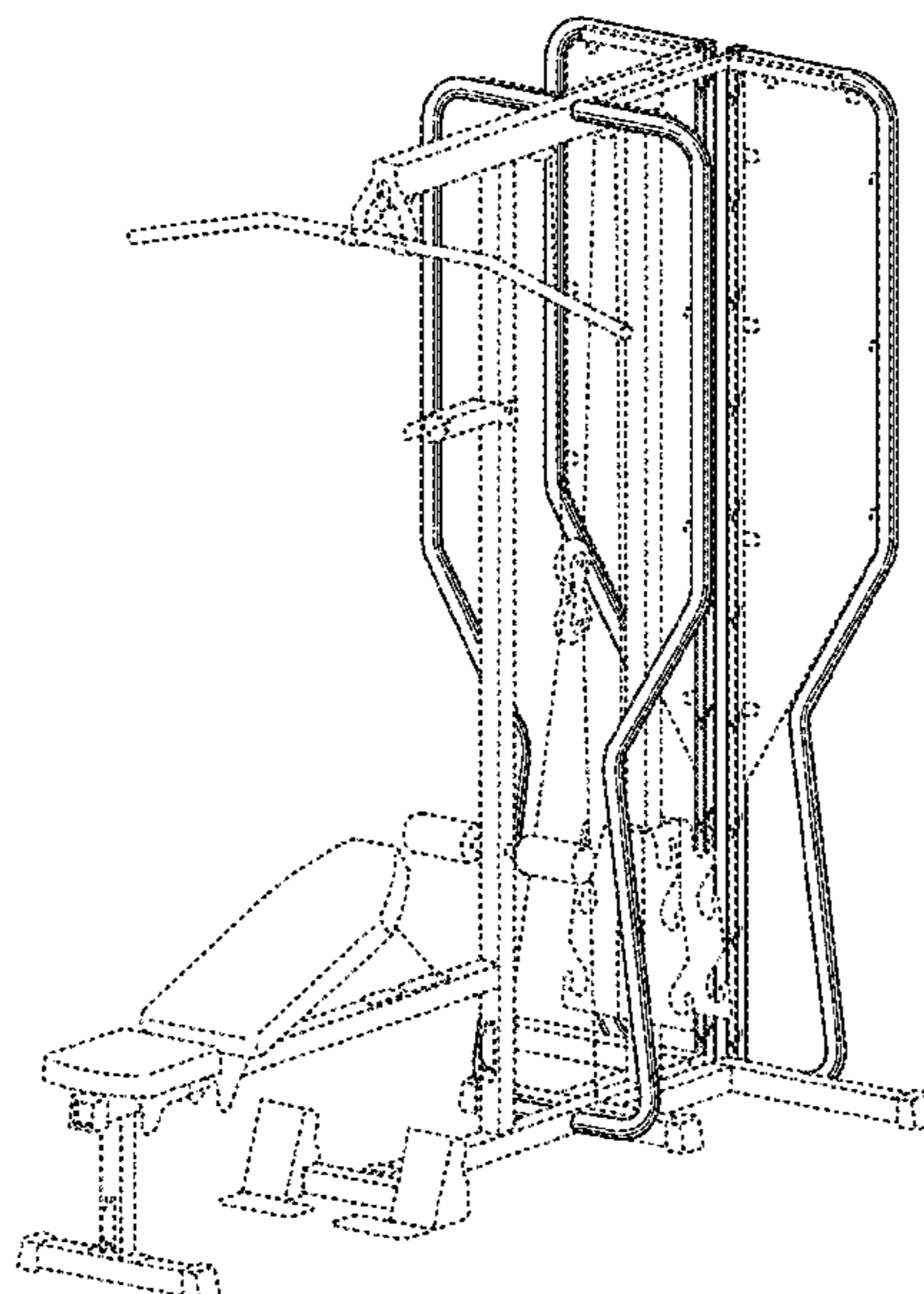
The broken line showing of portions of the exercise machine frame depicts environment and forms no part of the claim.

(56) **References Cited**

U.S. PATENT DOCUMENTS

6,755,770	B2 *	6/2004	Martens	482/99
7,094,185	B2 *	8/2006	Greenland	482/100

1 Claim, 5 Drawing Sheets



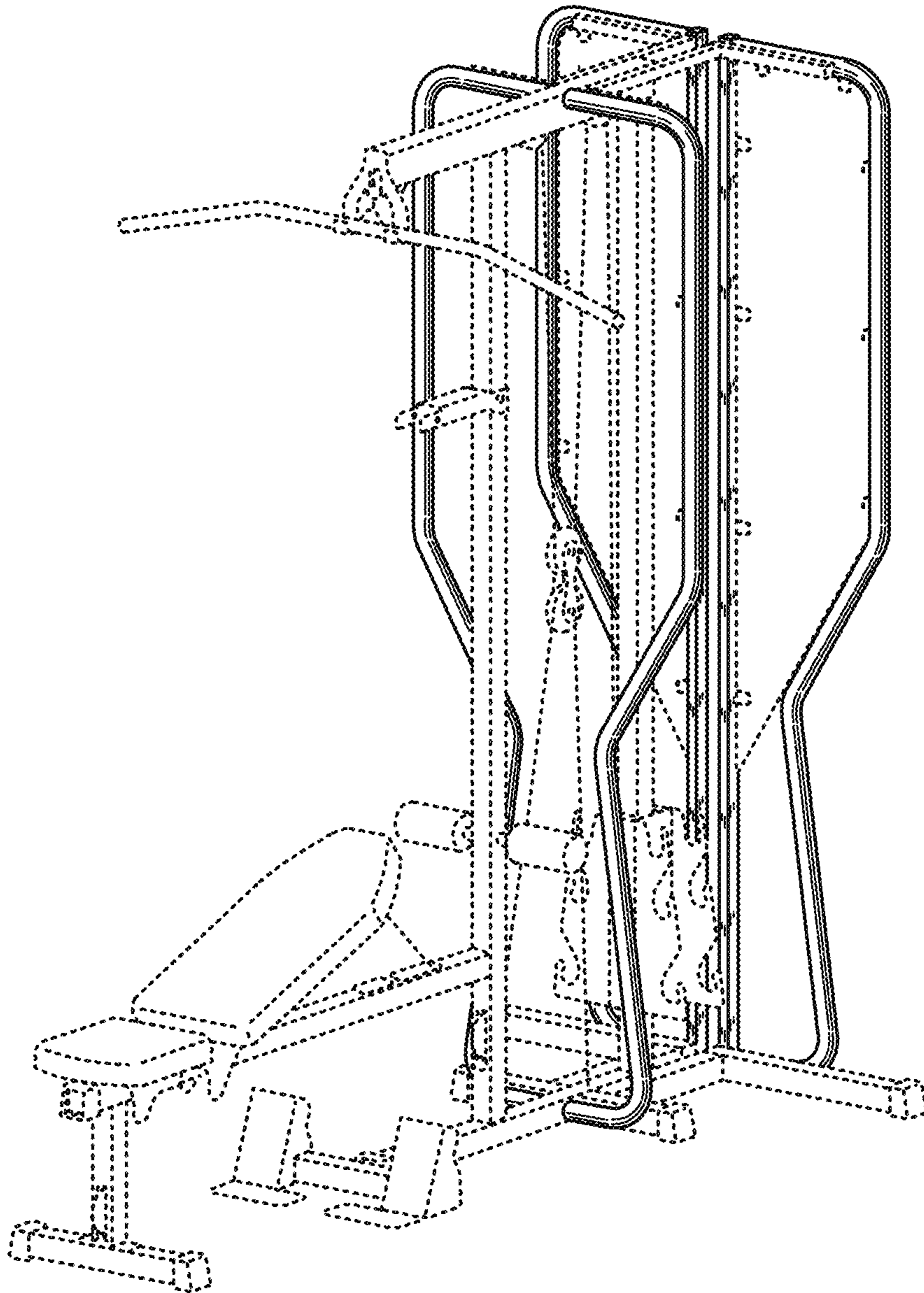


Fig. 1

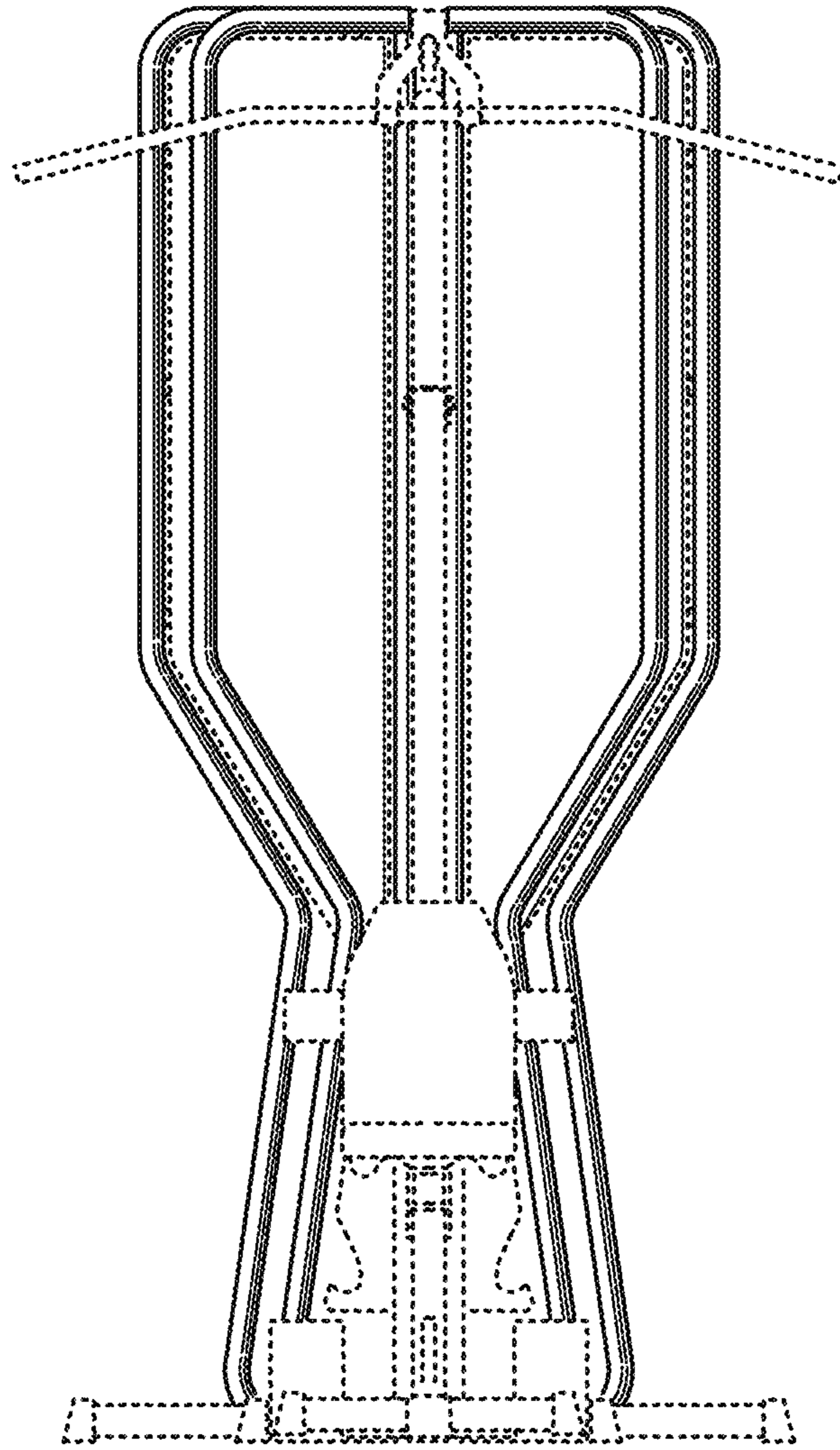


Fig. 2

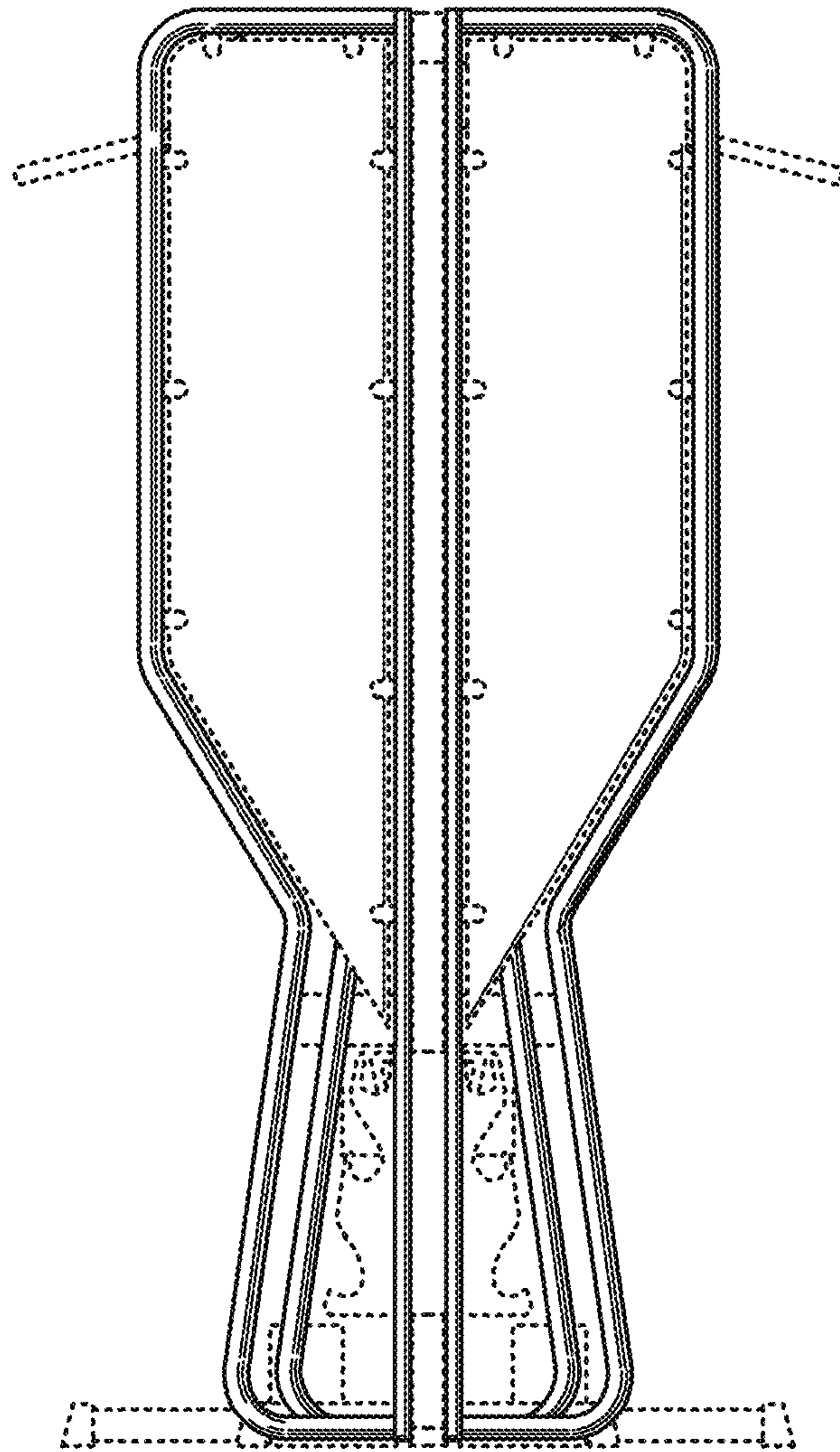


Fig. 3

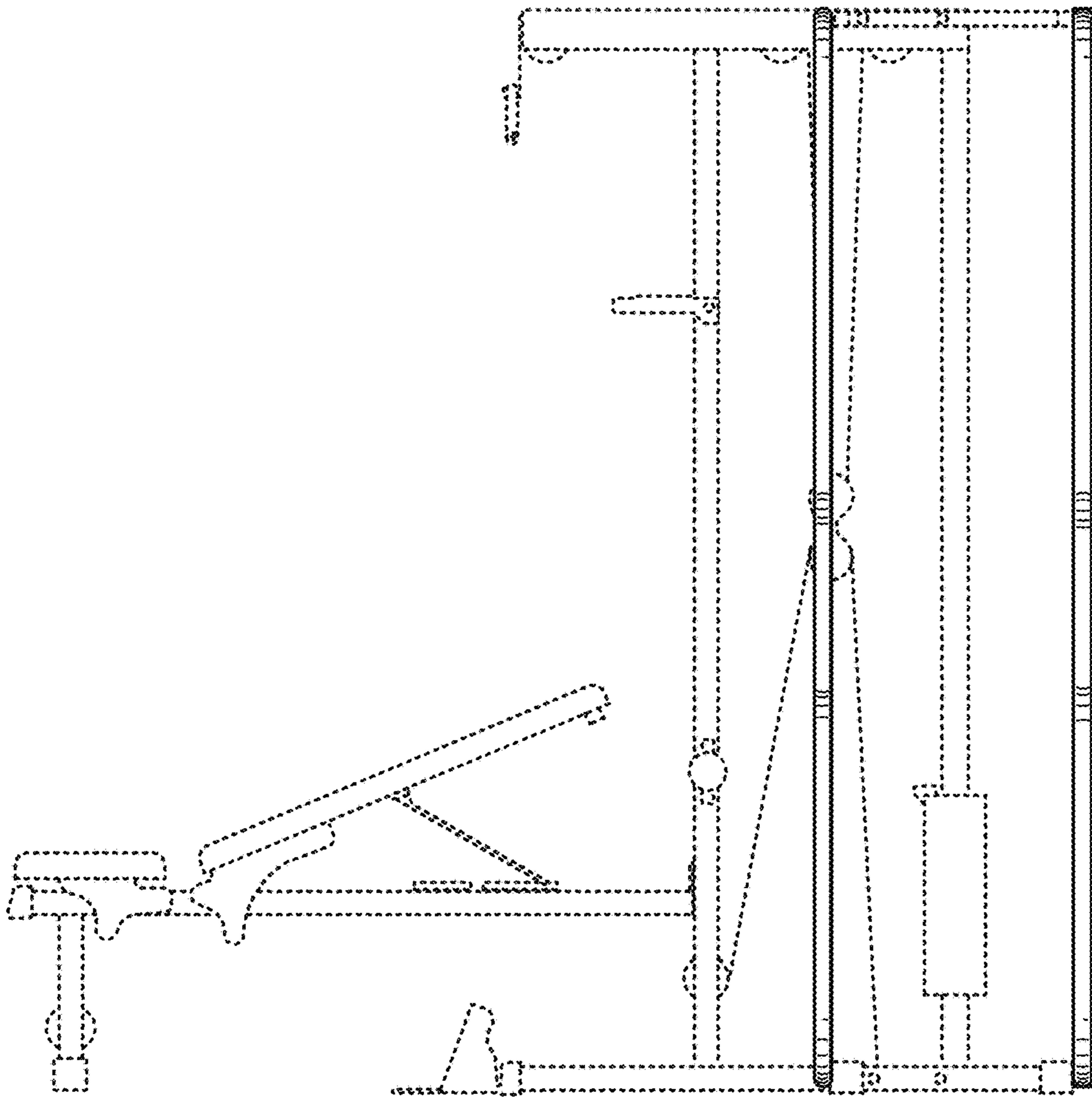


Fig. 4

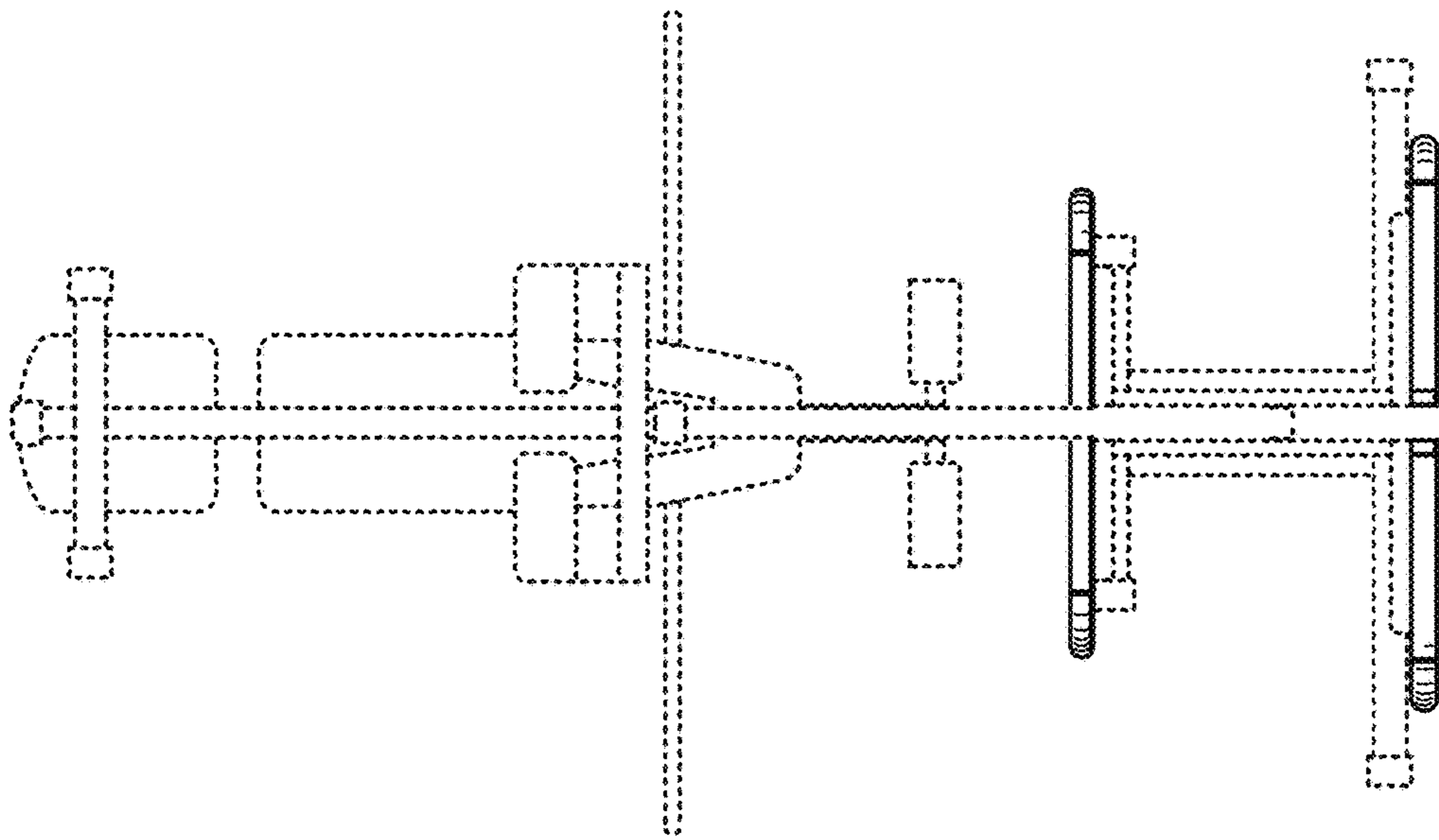


Fig. 5

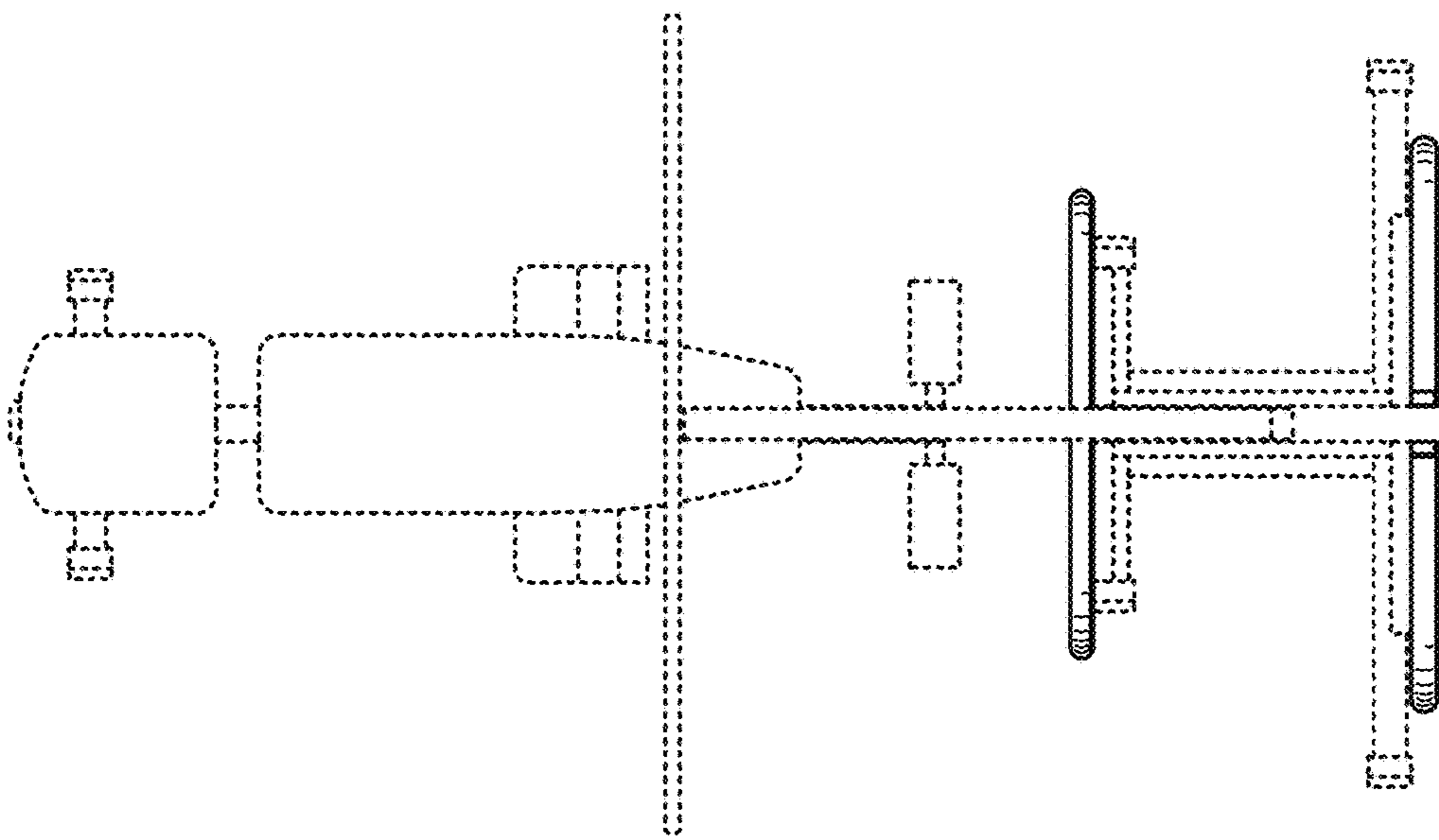


Fig. 6