



US00D800850S

(12) **United States Design Patent** (10) **Patent No.:** **US D800,850 S**
Janke (45) **Date of Patent:** **** Oct. 24, 2017**

(54) **FEMALE DOLL**
(71) Applicant: **Judy Janke**, Farmington, MN (US)
(72) Inventor: **Judy Janke**, Farmington, MN (US)
(**) Term: **15 Years**
(21) Appl. No.: **29/559,129**

D671,602 S * 11/2012 Bradford D21/621
2011/0014842 A1 1/2011 Rappaport-Rowan
2011/0117809 A1* 5/2011 Bowar A63H 3/005
446/369
2011/0130069 A1* 6/2011 Rollin A63H 3/28
446/297
2011/0159777 A1* 6/2011 Han A63H 3/04
446/390
2015/0161897 A1* 6/2015 Santoro G09B 1/38
434/236

(22) Filed: **Mar. 24, 2016**
(51) **LOC (10) Cl.** **11-01**
(52) **U.S. Cl.**
USPC **D21/649**
(58) **Field of Classification Search**
USPC D21/621, 623, 624, 625, 628, 630, 631,
D21/633, 640, 643-649, 659; 446/268,
446/360, 361, 376, 379, 382-384
CPC A63H 3/00-3/31
See application file for complete search history.

FOREIGN PATENT DOCUMENTS

WO WO2015002511 8/2015

* cited by examiner

Primary Examiner — Zenia Bennett

(57) **CLAIM**

The ornamental design for a female doll, as shown and described.

DESCRIPTION

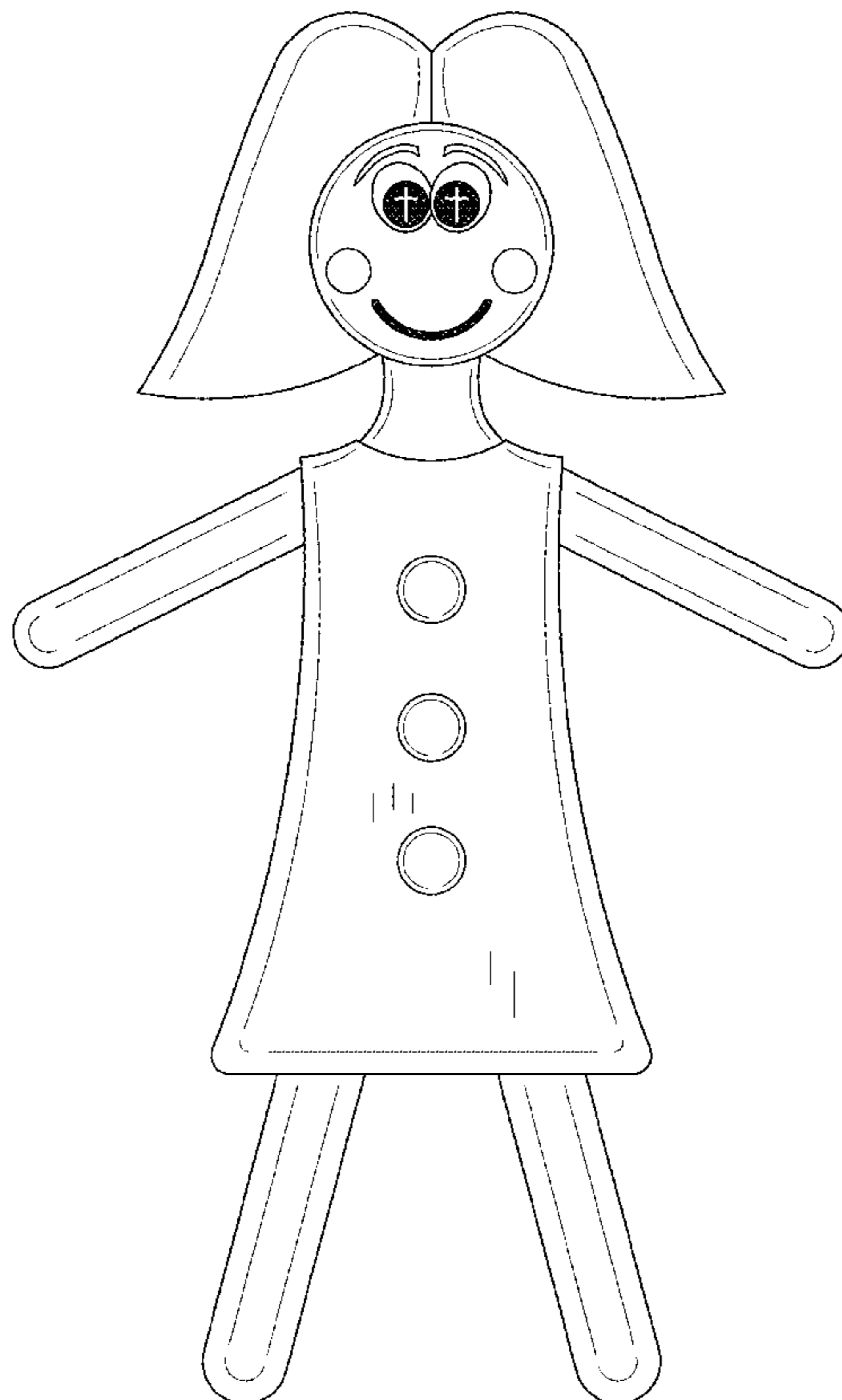
FIG. 1 is a front view of a female doll showing my new design;
FIG. 2 is a rear view of the female doll;
FIG. 3 is a left side view of the female doll, a right side view being a mirror image thereof;
FIG. 4 is a top view of the female doll; and,
FIG. 5 is a bottom view of the female doll.

(56) **References Cited**

U.S. PATENT DOCUMENTS

3,053,008 A 9/1962 Pelunis
D320,501 S 10/1991 Marks
5,405,266 A 4/1995 Frank et al.
5,470,270 A 11/1995 Beamon, Jr. et al.
6,547,631 B1 4/2003 Randall
D576,225 S * 9/2008 Auberger D21/645
D576,226 S * 9/2008 Auberger D21/645
D647,979 S * 11/2011 Fromuth D21/621

1 Claim, 4 Drawing Sheets



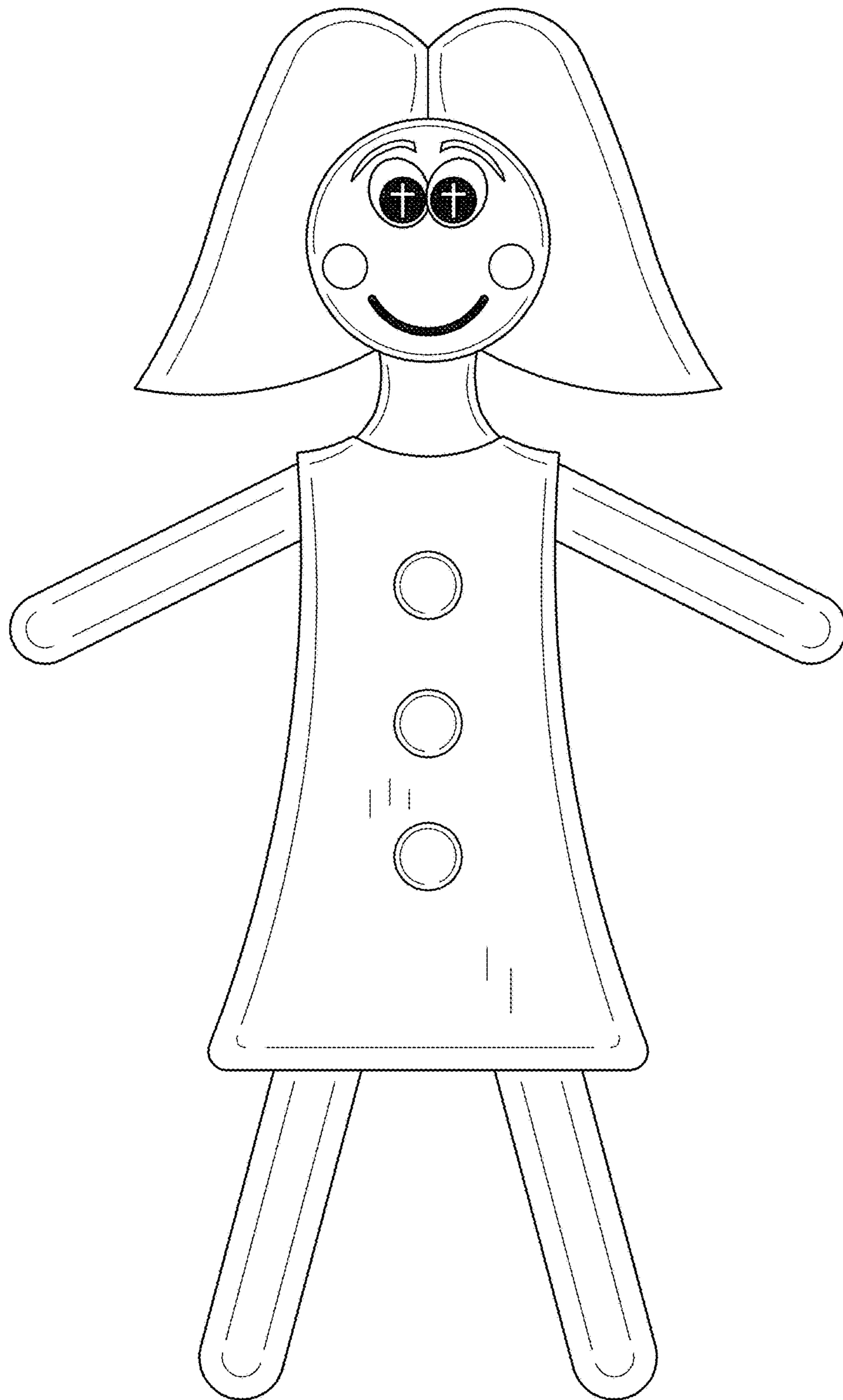


FIG. 1

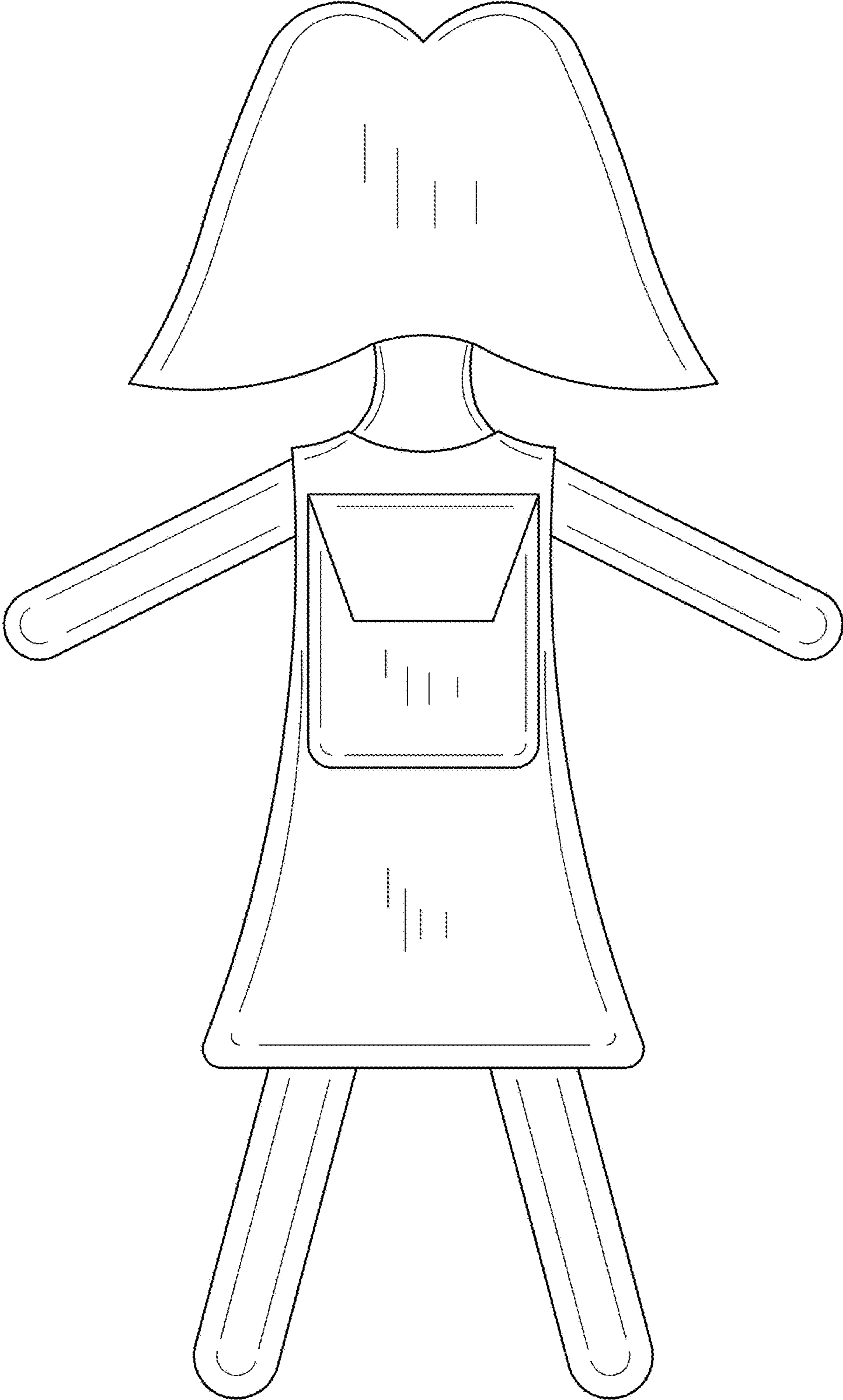


FIG. 2

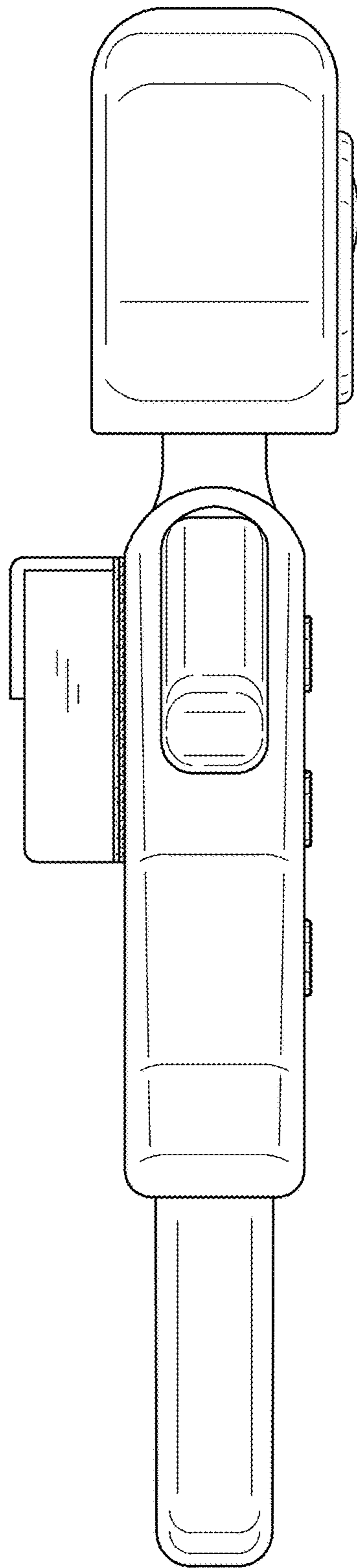


FIG. 3

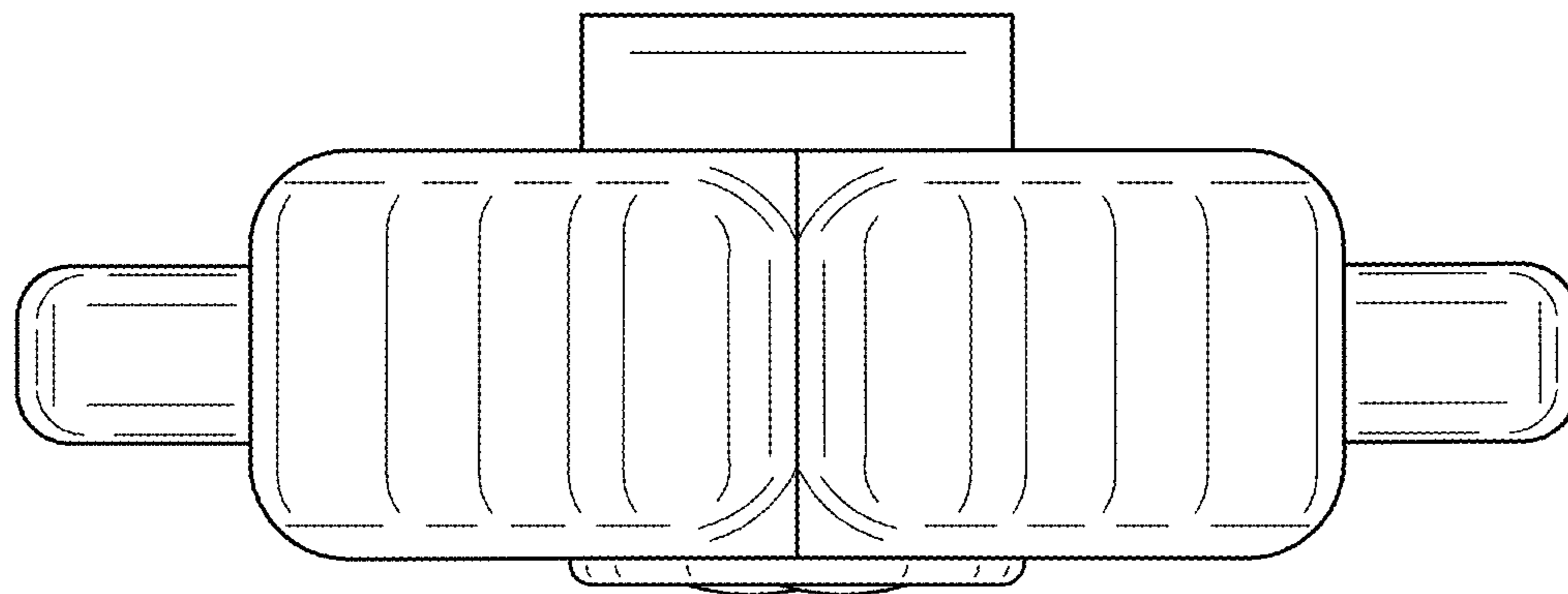


FIG. 4

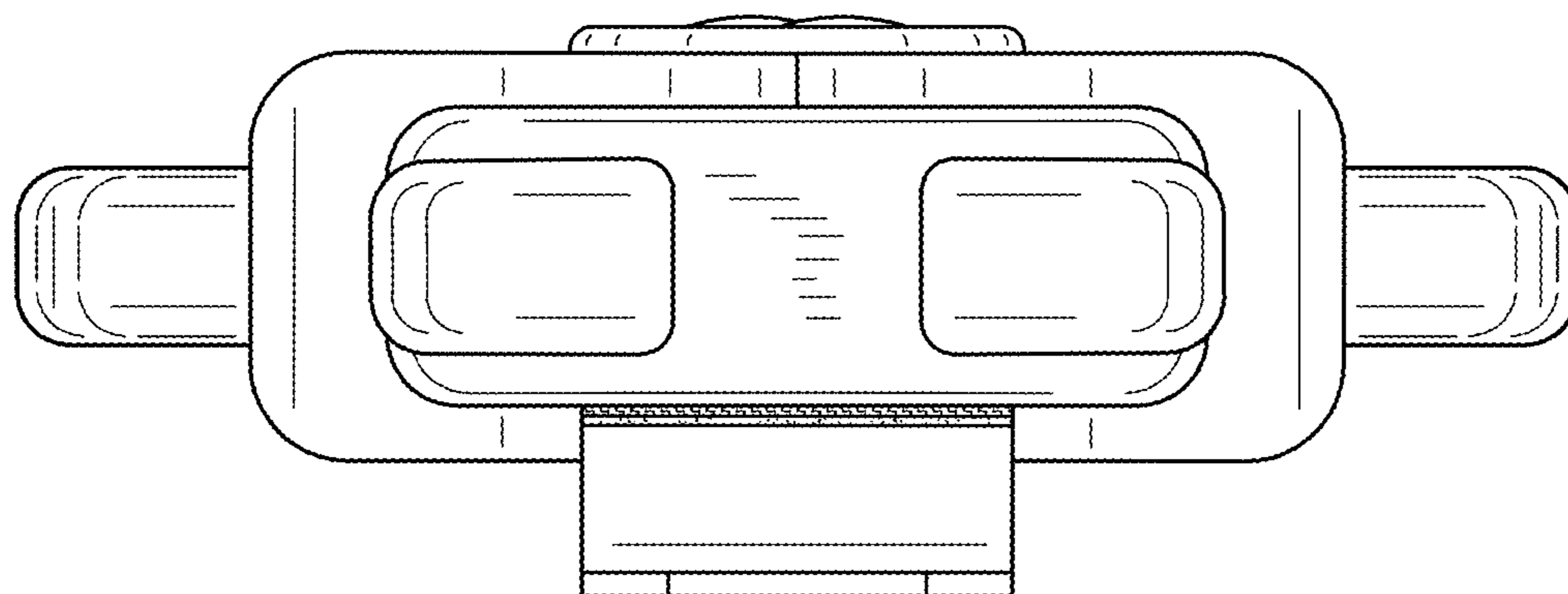


FIG. 5